

(Note vulnerable properties: Refers to the degree of wear and tear in the day-to-day operation of the correct use of this part which according to guide customers reasonable reserves.A for wear and tear easily, B for wear and tear is not easy while C for wear and tear on behalf of the non-basic.The part of A proposal by the highest parts inventory reserves; B for stocking pieces according to the minimum reserves and C try not to make reserves for)

机型Model:D440FD
状态Status Code : K5184

成品编码
Code Number: T493002933-2211640

版本号: LC/LT-2025-A

曲轴箱体组件 (Crankcase Assy.)

序号 No.	零部件图号 Part No.	Description	规格状态	数量 Reqd. QTY	易损属性 CONSUMABLE GRADE
1	110260051-0001	Sealing plug screw	T270_M16×16;镀蓝白锌 Q16	2	C
2	380450830-0001	Flat washer	T270_内径16.5_外径22.5_厚度1.8_密封柱塞垫片;	2	C
3	110810169-0001	Crankcase body	T490_电启动;	1	B
4	380600169-0001	ocation pin	T270_实心销;箱体用_d=8_L=16;	2	C
5	110690051-0001	Oil rule combination	T270_机油尺;带密封圈_本色黄5#Q82	1	B
6	380630504-0001	Bearing	GB/T 276_TM6203;	1	B
7	380840792-0001	Seal ring	T270_挺杆腔_氟橡胶;	1	A
8	380650574-0001	Oil seal	T490_d=40_D=52_b=7;	1	B
9	130240004-0001	Plate,Bearing(L)	T270;	2	C
10	380140040-0005	Hexagon bolt with flange	GB/T 16674.1_M8_L=16;镀蓝白锌Q16	2	C
11	380140215-0003	Hexagon bolt with flange	GB/T 16674.1_M6_L=14;镀蓝白锌Q16	1	C
12	130280003-0001	Plate,Bearing(R)	T490;	1	C

曲轴箱盖 (Crankcase cover)

序号 No.	零部件图号 Part No.	Description	规格状态	数量 Reqd. QTY	易损属性 CONSUMABLE GRADE
1	380140051-0005	Hexagon bolt with flange	GB/T 16674.1_M8_L=35;镀蓝白锌Q16	14	C
2	380650575-0001	Oil seal	T490_d=35_D=50_b=8;	1	B
3	110830047-0001	Crankcase cover gasket	T490_铝垫;	1	A
4	150290021-0001	Engine oil Strainer	T270;带密封圈_黑色	1	A
5	110690051-0001	Oil rule combination	T270_机油尺;带密封圈_本色黄5#Q82	1	B
6	380070288-0001	Hexagon bolt	GB/T 5783_M12×1.5_L=16;镀蓝白锌Q16	1	C
7	380450516-0001	Flat washer	T110_T21_内径12_外径20_厚度2_铝及铝合金;	1	C
8	381150514-0001	Compression spring	T270_卸压阀弹簧;	1	A
9	380640016-0001	Steel ball	GB/T 308_Φ9.5;	1	C
10	110820187-0001	Crankcase cover	T495;	1	B
11	150010101-0001	Components of oil pump	T490;	1	B
12	380630504-0001	Bearing	GB/T 276_TM6203;	1	B
13	380780123-0001	coupling	T270_长50_M10×1.25_进油嘴;镀蓝白锌 Q16	1	B
14	150040031-0001	Oil pump cover	T490;	1	C
15	380140003-0005	Hexagon bolt with flange	GB/T 16674.1_M6_L=20;镀蓝白锌Q16	3	C
16	171750048-0001	Components of governor gear	T490_飞块重17.1g_斜齿,圆顶调速帽;	1	B

气缸头 (Cylinder Head Assy.)

序号 No.	零部件图号 Part No.	Description	规格状态	数量 Reqd. QTY	易损属性 CONSUMABLE GRADE
1	380140102-0004	Hexagon bolt with flange	GB/T 16674.1_M6_L=25;镀蓝白锌Q16	4	C
2	120220046-0001	Cylinder head cover assy	T490_带呼吸系统组合;	1	C
3	120250036-0001	Gasket for cylinder head cover	T490_不含石棉纸垫;	1	A
4	380140554-0001	Hexagon bolt	T490_M10×1.25_L=95;镀蓝白锌Q16	4	C
5	120080938-0001	Cylinder head	T491_重力铸造_不带加热器孔;	1	B
6	120150173-0001	Gasket for cylinder head	T490_铝垫_厚0.5;	1	A
	120150201-0001	Gasket for cylinder head	T490_铝垫_厚0.4;	1	A
	120150202-0001	Gasket for cylinder head	T490_铝垫_厚0.6;	1	A
7	380600167-0001	ocation pin	T270_实心销;缸头用_d=4_L=11;	2	C
8	380140004-0004	Hexagon bolt with flange	GB/T 16674.1_M8_L=20;镀蓝白锌Q16	1	C
9	120550005-0001	Lifting eye	T270;	1	C
10	380140051-0005	Hexagon bolt with flange	GB/T 16674.1_M8_L=35;镀蓝白锌Q16	1	C

曲柄连杆机构 (Connecting rods and Crankshaft)

序号 No.	零部件图号 Part No.	Description	规格状态	数量 Reqd. QTY	易损属性 CONSUMABLE GRADE
1	130070167-0001	Piston ring combination	T490;	1	A
2	380560103-0001	Steel cable baffle ring	T490_活塞销挡圈;	2	B
3	130030186-0001	Piston	T490;	1	A
4	130060062-0001	Piston pin	T490;	1	C
5	130150089-0001	Connecting rod	T490;	1	B
6	110280009-0001	bearing bush	T490_40×43×21.7;	2	B
7	130290591-0001	crankshaft	T490_C轴_斜齿,输出端带螺纹孔;	1	B
8	130430019-0001	Balancing shaft	T490;	1	B
9	380450702-0001	Flat washer	T390_内径13_外径38_厚度4;氧化Q07	1	C
10	380140457-0001	Hexagon bolt	T390_M12×1.25_L=35_飞轮螺栓;镀蓝白锌Q16	1	C

配气机构 (Valve Train)

序号 No.	零部件图号 Part No.	Description	规格状态	数量 Reqd. QTY	易损属性 CONSUMABLE GRADE
1	140450072-0001	Valve rocker combination	T490_进气门摇臂;	1	B
2	140450073-0001	Valve rocker combination	T490_排气门摇臂;	1	B
3	140510062-0001	Valve rocker shaft	T490;	2	B
4	140540029-0001	Rocker support seat	T490;	2	B
5	140670055-0001	Push rod	T490_长207;	2	B
6	140690023-0001	Lifter, Valve	T490;	2	B
7	140020175-0001	Camshaft assy	T490_带反转减压,斜齿;	1	B
8	500550100-0001	Valve Kit	T490_排气门材质53Cr21Mn9Ni4N;	1	B
9	140380040-0001	Retainer, valve spring	T490;	2	B
10	140390015-0001	Valve locker	T11D;含Hg/Cr6/Pb/PBB/PBDE≤1000ppm,Cd≤100ppm	4	B
11	140340040-0001	Inner spring of valve	T490;	2	A
12	140400012-0001	Valve oil seal	T110;含Hg/Cr6/Pb/PBB/PBDE≤1000ppm,Cd≤100ppm	2	B
13	140360014-0001	Seat, valve spring	T270;	2	B

电器系统 (Electrical System)

序号 No.	零部件图号 Part No.	Description	规格状态	数量 Reqd. QTY	易损属性 CONSUMABLE GRADE
-----------	-------------------	-------------	------	-----------------	--------------------------

1	270020213-0001	FLYWHEEL COMP	T490_六块内磁钢;	1	B
2	270360060-0001	Components of starting motor	T270;	1	B
3	270190013-0001	Components of charging current arm	T270_多组;	1	A
4	380140102-0004	Hexagon bolt with flange	GB/T 16674.1_M6_L=25;镀蓝白锌Q16	3	C
5	270910010-0001	rectifier voltage regulator Support	T270;镀蓝白锌Q16	1	C
6	271380040-0001	Ignition Switch Support	T490;镀蓝白锌Q16	1	C
7	270880146-0001	RectifierVariable voltage rectifier	T270;	1	A
8	380140215-0003	Hexagon bolt with flange	GB/T 16674.1_M6_L=14;镀蓝白锌Q16	5	C
9	380140126-0004	Hexagon bolt with flange	GB/T 16674.1_M10_L=40;镀蓝白锌Q16	2	C
10	283690003-0001	Oil level alarm	T372_压力值0.005MPa~0.03MPa;打刻标记为max0.25bar	1	A
11	380930027-0001	Location wire nail	T560_燕尾卡;	2	A
12	271810029-0001	Start control switch	T490_无加热器开关;带油位指示灯;中性英文130657	1	B
13	270280020-0001	Tension disc for wire bundle	T270;镀蓝白锌Q16	1	C

手起动机组件 (Pullstart Assy)

序号 No.	零部件图号 Part No.	Description	规格状态	数量 Reqd. QTY	易损属性 CONSUMABLE GRADE
1	160180030-0001	Impeller	T490;	1	B
2	660880002-0001	Impeller pressing plate	T270;	1	C
3	193590019-0001	Starting disc	T270;镀蓝白锌Q16	1	C
4	380450702-0001	Flat washer	T390_内径13_外径38_厚度4;氧化Q07	1	C
5	380140457-0001	Hexagon bolt	T390_M12×1.25_L=35_飞轮螺栓;镀蓝白锌Q16	1	C
6	380840758-0001	Seal ring	T270_风扇罩;	1	A
7	193490200-0001	Manual starting assembly	T490;满足REACH要求	1	B
8	380450828-0001	Flat washer	T040_内径6_外径18_厚度1.2_空滤器用;镀蓝白锌Q16	4	C
9	380140095-0005	Hexagon bolt with flange	GB/T 16674.1_M6_L=30;镀蓝白锌Q16	4	C
10	193500165-T490	Manual starting components		1	B
11	160210180-T490	Fan cover comp.		1	C

空滤器 (Air cleaner)

序号 No.	零部件图号 Part No.	Description	规格状态	数量 Reqd. QTY	易损属性 CONSUMABLE GRADE
1	380180098-0001	Stud	T040_M8_L=34;镀蓝白锌Q16	2	C
2	183000002-0001	Air intake gasket	T490_不含石棉纸垫;	1	A
3	180420620-0001	Intake pipe	T490_空滤器转接头;	1	C
4	380370074-0002	Hexagon nut with flange	GB/T 6177.1_不带防滑齿_M8;镀蓝白锌Q16	4	C
5	183000004-0001	Air intake gasket	T490_不含石棉纸垫_油滤式空滤器用;	1	A
6	180010102-0001	Air filter	T490_油滤式;满足REACH要求	1	B
7	180090071-T270	Seal		1	A
8	180130248-T270	Air filter element		1	A
9	380180109-0001	Stud	T240_M8_L=39;镀蓝白锌Q16	2	C

消声器 (Muffler)

序号 No.	零部件图号 Part No.	Description	规格状态	数量 Reqd. QTY	易损属性 CONSUMABLE GRADE
1	380140102-0004	Hexagon bolt with flange	GB/T 16674.1_M6_L=25;镀蓝白锌Q16	3	C
2	380450828-0001	Flat washer	T040_内径6_外径18_厚度1.2_空滤器用;镀蓝白锌Q16	3	C
3	160190059-0001	air deflector	T490_含减震垫和衬套;	1	C
4	380340005-0005	Hexagon nut	GB/T 6170_M8;镀蓝白锌Q16	2	C
5	380180098-0001	Stud	T040_M8_L=34;镀蓝白锌Q16	2	C
6	180660072-0001	Muffler gasket	T490;	1	A
7	380140004-0004	Hexagon bolt with flange	GB/T 16674.1_M8_L=20;镀蓝白锌Q16	2	C
8	180572426-0001	Muffler	T490_欧V_带触媒;	1	B

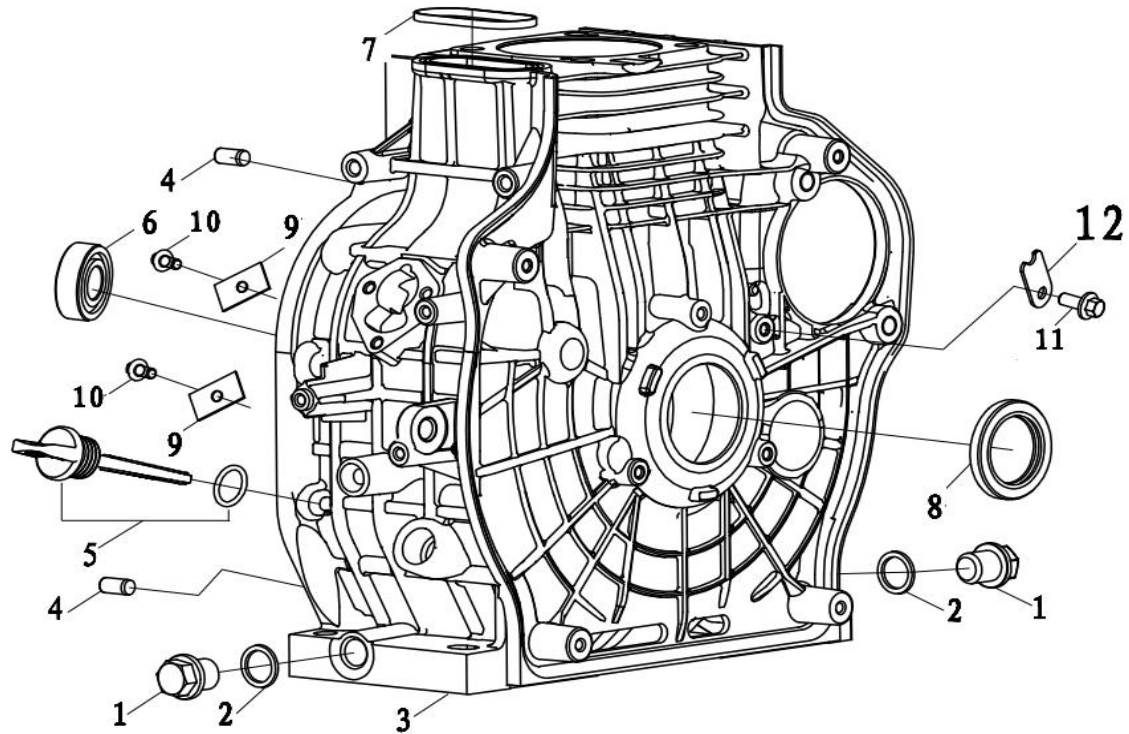
燃油系统 (Fuel System)

序号 No.	零部件图号 Part No.	Description	规格状态	数量 Reqd. QTY	易损属性 CONSUMABLE GRADE
1	170010030-0001	Fuel filter	T270;	1	A
2	660310019-0001	Sealing washer	T270_燃油滤网密封垫;	1	A
3	170870089-0001	Tank cover	T270;	1	B
4	170500938-0001	Tank	T490_金属;满足REACH要求	1	B
5	171020032-0001	Oil switch gasket	T270;	1	A
6	170980092-0001	Components of oil switch	T270;	1	B
7	380370066-0001	Hexagon nut with flange	GB/T 6177.1_不带防滑齿_M6;镀蓝白锌Q16	7	C
8	380960198-0001	Clip combination	T270_Φ13;达克罗Q19	2	A
9	380750661-0002	Oil tube	T490_进油管;满足ROHS要求	1	A
10	380140004-0004	Hexagon bolt with flange	GB/T 16674.1_M8_L=20;镀蓝白锌Q16	2	C
11	301560017-0001	fuel Tank Bracket	T270_下支撑架;	1	C
12	170700141-0001	Tank damping cushion	T270_U型_黑色橡胶;	4	A
13	110260056-0001	Sealing plug screw	T270_M12×1.25×14_放油螺塞;镀蓝白锌Q16	1	C
14	380450916-0001	Flat washer	T270_内径12.5_外径20_厚度2_尼龙;	1	C
15	380960170-0002	Clip combination	T020_Φ9;达克罗Q19	2	A
16	380750487-0002	Oil tube	T270_内径4_外径10_长150_回油管;满足ROHS要求	1	A
17	380180138-0001	Stud	T270_M6_L=54;镀蓝白锌Q16	2	C
18	174180001-0001	Fuel Pump Platen	T270;镀蓝白锌Q16	1	C

燃油系统 (Fuel System)

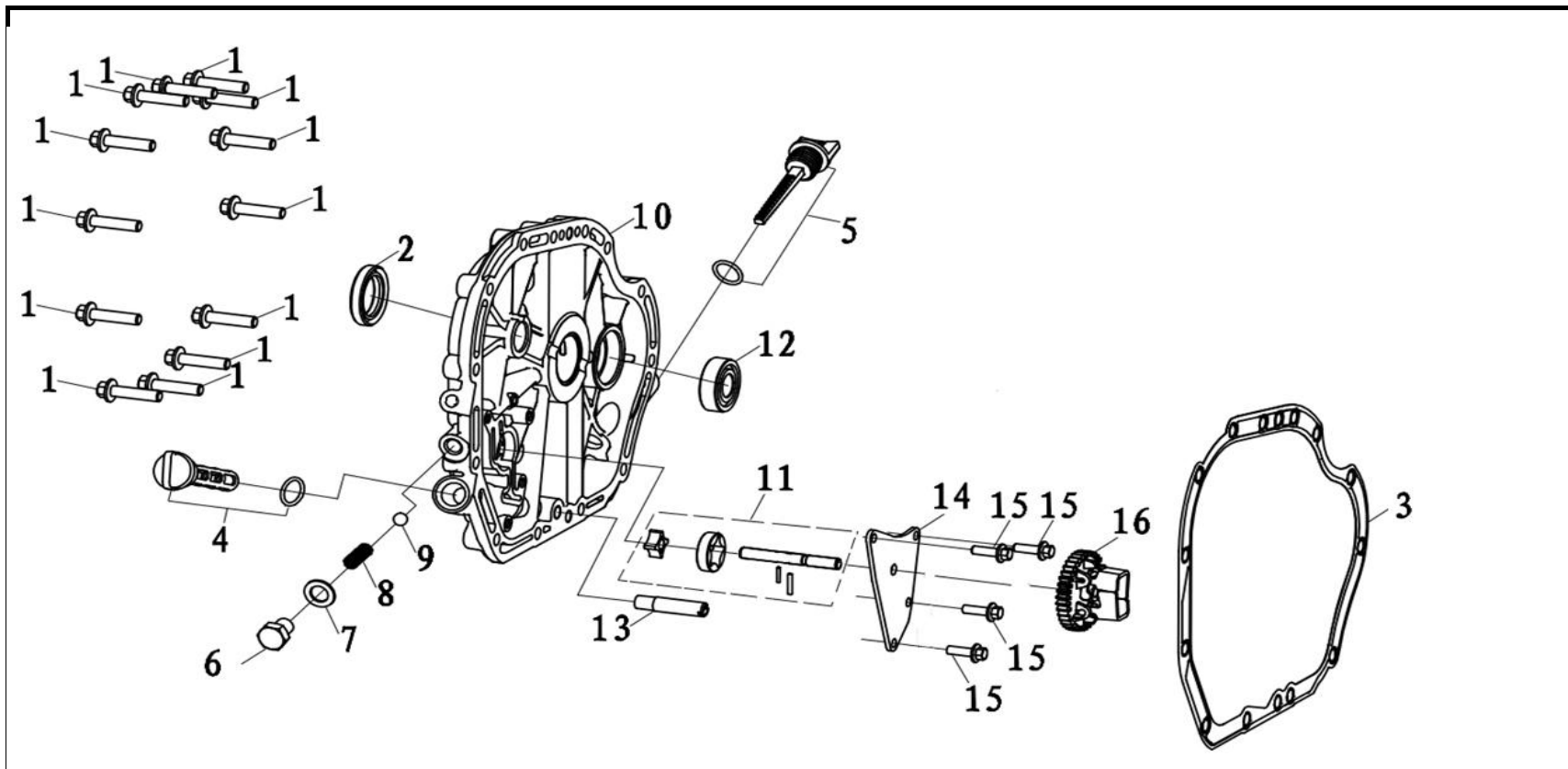
序号 No.	零部件图号 Part No.	Description	规格状态	数量 Reqd. QTY	易损属性 CONSUMABLE GRADE
19	173010006-0001	Injector	T490;	1	B
20	380450829-0001	Flat washer	T270_内径7.3_外径15_厚度0.5_铜;	1	C
21	380750529-0001	Oil tube	T490_钢管_高压油管;	1	A
22	380180137-0001	Stud	T270_M6_L=38;镀蓝白锌Q16	2	A
23	380180145-0001	Stud	T270_M6_L=31;镀蓝白锌Q16	1	C
24	174160001-0001	Fuel Pump Cover	T270;镀蓝白锌Q16	1	C
25	174170001-0001	Fuel Pump Seal	T270;	1	A
26	174130002-0001	Fuel Pump	T490;	1	B
27	174140001-0001	Fuel Pump Gasket	T270_铜;厚0.3	1	A
	174140001-0002	Fuel Pump Gasket	T270_铜;厚0.4	1	A
	174140001-0003	Fuel Pump Gasket	T270_铜;厚0.2	1	A
28	170720010-0001	pouring orifice filter screen combination	T270;	1	A
29	301560016-0001	fuel Tank Bracket	T270_上支撑架;	1	C

30	380140005-0006	Hexagon bolt with flange	GB/T 16674.1 M8_L=40;镀蓝白锌Q16	2	C
31	380950396-0001	Pipe clip	T490_高压油管;	1	C
调速系统 (Governor System)					
序号 No.	零部件图号 Part No.	Description	规格状态	数量 Reqd. QTY	易损属性 CONSUMABLE GRADE
1	380140215-0003	Bolt,Flange M6×14	GB/T 16674.1_M6_L=14;镀蓝白锌Q16	2	C
2	171340029-T270	Knob control	Knob control	1	B
3	380350008-0001	Nonmetal hexagon nuts M6	Nonmetal hexagon nuts M6	1	C
4	171580022-0001	Control assy	T490;	1	B
5	174230001-0001	Fuel stop assy.	T270;	1	B
6	381160150-0001	Torsional spring	T270_回位弹簧;	1	A
7	381140478-0001	spring	T270_小弹簧;	1	A
8	171600051-0001	Spring,Governor	T490;	1	A
9	380650377-0001	Oil seal 8×14×5	T240_d=8_D=14_b=5;满足REACH要求	1	B
10	380450592-0001	Washer φ8.5×φ15.8×2	T240_内径8.5_外径15.8_厚度2_调速臂;	2	C
11	194530021-0001	Fork	T490_加固型调速控制块,平镶块;	1	B



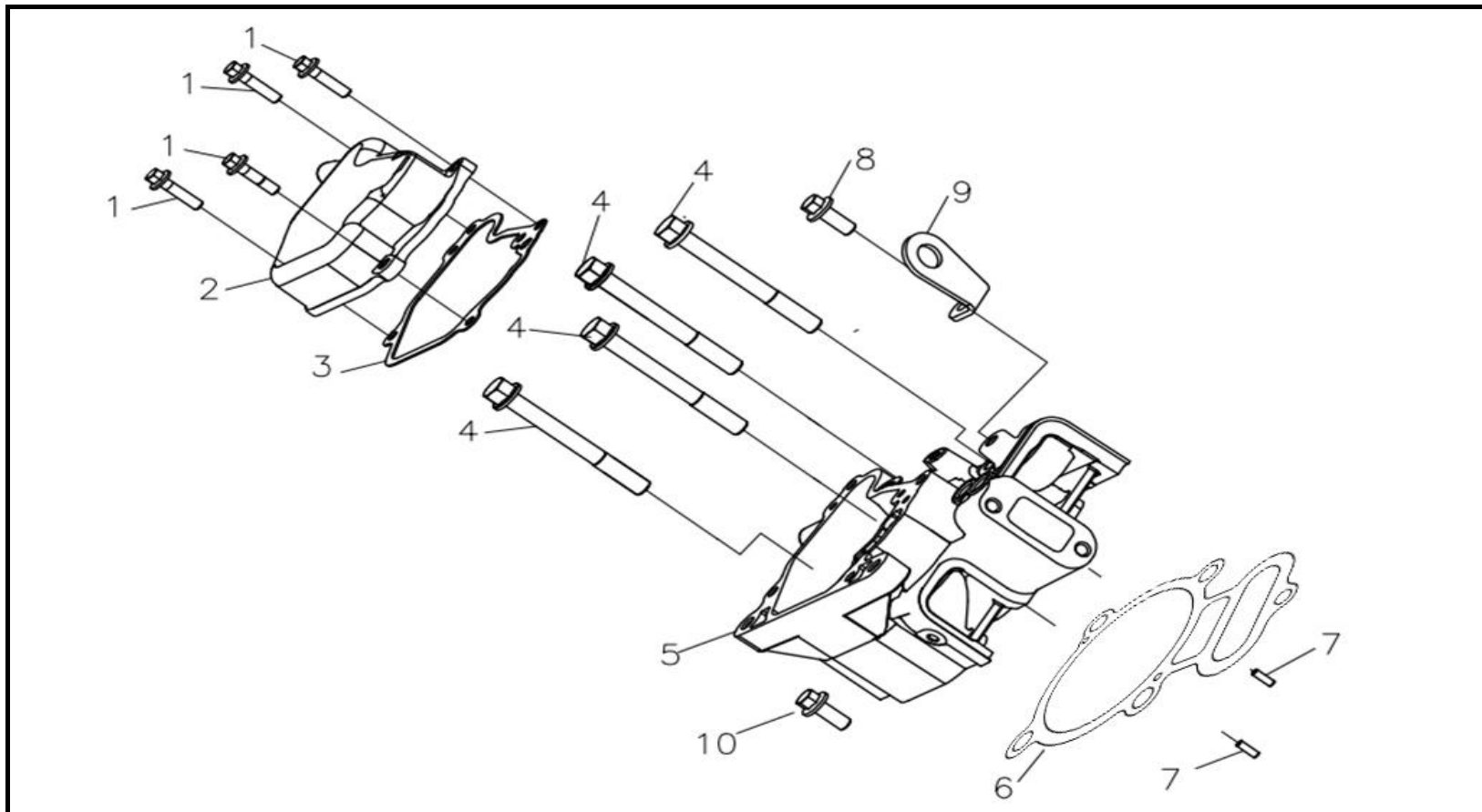
曲轴箱体组件 (Crankcase Assy.)

No.	Part No.		Reqd. QTY	CONSUMABLE GRADE
1	110260051-0001	Sealing plug screw	2	C
2	380450830-0001	Flat washer	2	C
3	110810169-0001	Crankcase body	1	B
4	380600169-0001	ocation pin	2	C
5	110690051-0001	Oil rule combination	1	B
6	380630504-0001	Bearing	1	B
7	380840792-0001	Seal ring	1	A
8	380650574-0001	Oil seal	1	B
9	130240004-0001	Plate,Bearing(L)	2	C
10	380140040-0005	Hexagon bolt with flange	2	C
11	380140215-0003	Hexagon bolt with flange	1	C
12	130280003-0001	Plate,Bearing(R)	1	C



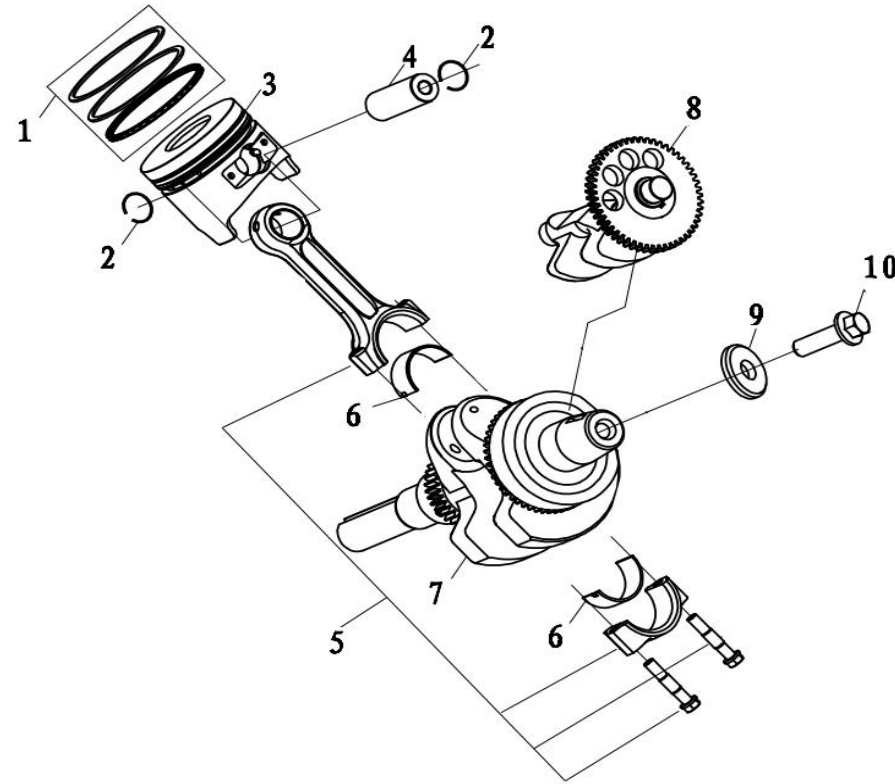
曲轴箱盖 (Crankcase cover)

No.	Part No.		Reqd. QTY	CONSUMABLE GRADE
1	380140051-0005	Hexagon bolt with flange	14	C
2	380650575-0001	Oil seal	1	B
3	110830047-0001	Crankcase cover gasket	1	A
4	150290021-0001	Engine oil Strainer	1	A
5	110690051-0001	Oil rule combination	1	B
6	380070288-0001	Hexagon bolt	1	C
7	380450516-0001	Flat washer	1	C
8	381150514-0001	Compression spring	1	A
9	380640016-0001	Steel ball	1	C
10	110820187-0001	Crankcase cover	1	B
11	150010101-0001	Components of oil pump	1	B
12	380630504-0001	Bearing	1	B
13	380780123-0001	coupling	1	B
14	150040031-0001	Oil pump cover	1	C
15	380140003-0005	Hexagon bolt with flange	3	C
16	171750048-0001	Components of governor gear	1	B



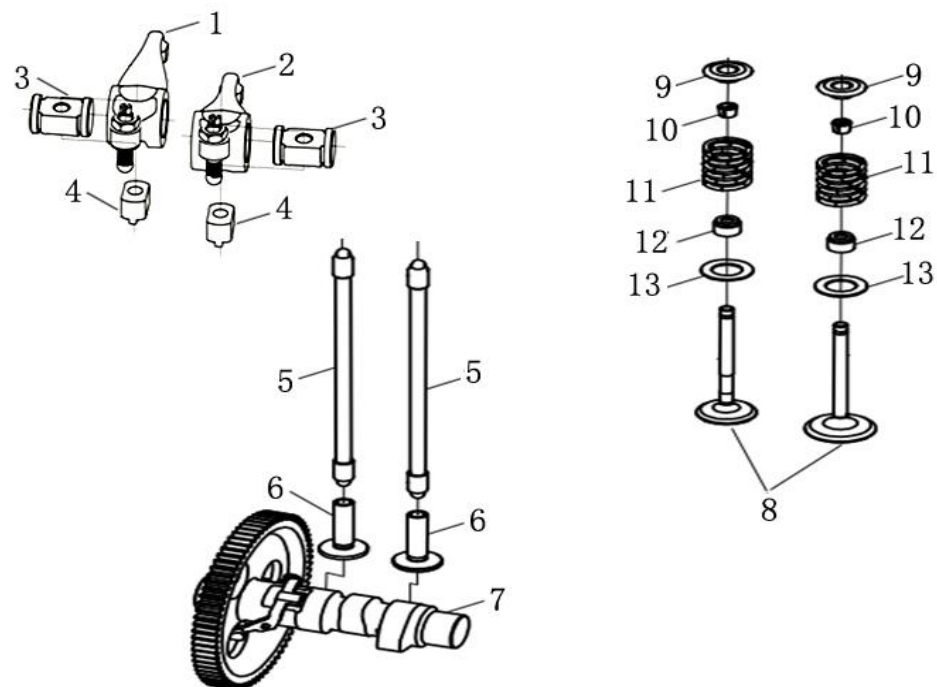
气缸头 (Cylinder Head Assy.)

No.	Part No.		Reqd. QTY	CONSUMABLE GRADE
1	380140102-0004	Hexagon bolt with flange	4	C
2	120220046-0001	Cylinder head cover assy	1	C
3	120250036-0001	Gasket for cylinder head cover	1	A
4	380140554-0001	Hexagon bolt	4	C
5	120080938-0001	Cylinder head	1	B
6	120150173-0001	Gasket for cylinder head	1	A
	120150201-0001	Gasket for cylinder head	1	A
	120150202-0001	Gasket for cylinder head	1	A
7	380600167-0001	ocation pin	2	C
8	380140004-0004	Hexagon bolt with flange	1	C
9	120550005-0001	Lifting eye	1	C
10	380140051-0005	Hexagon bolt with flange	1	C



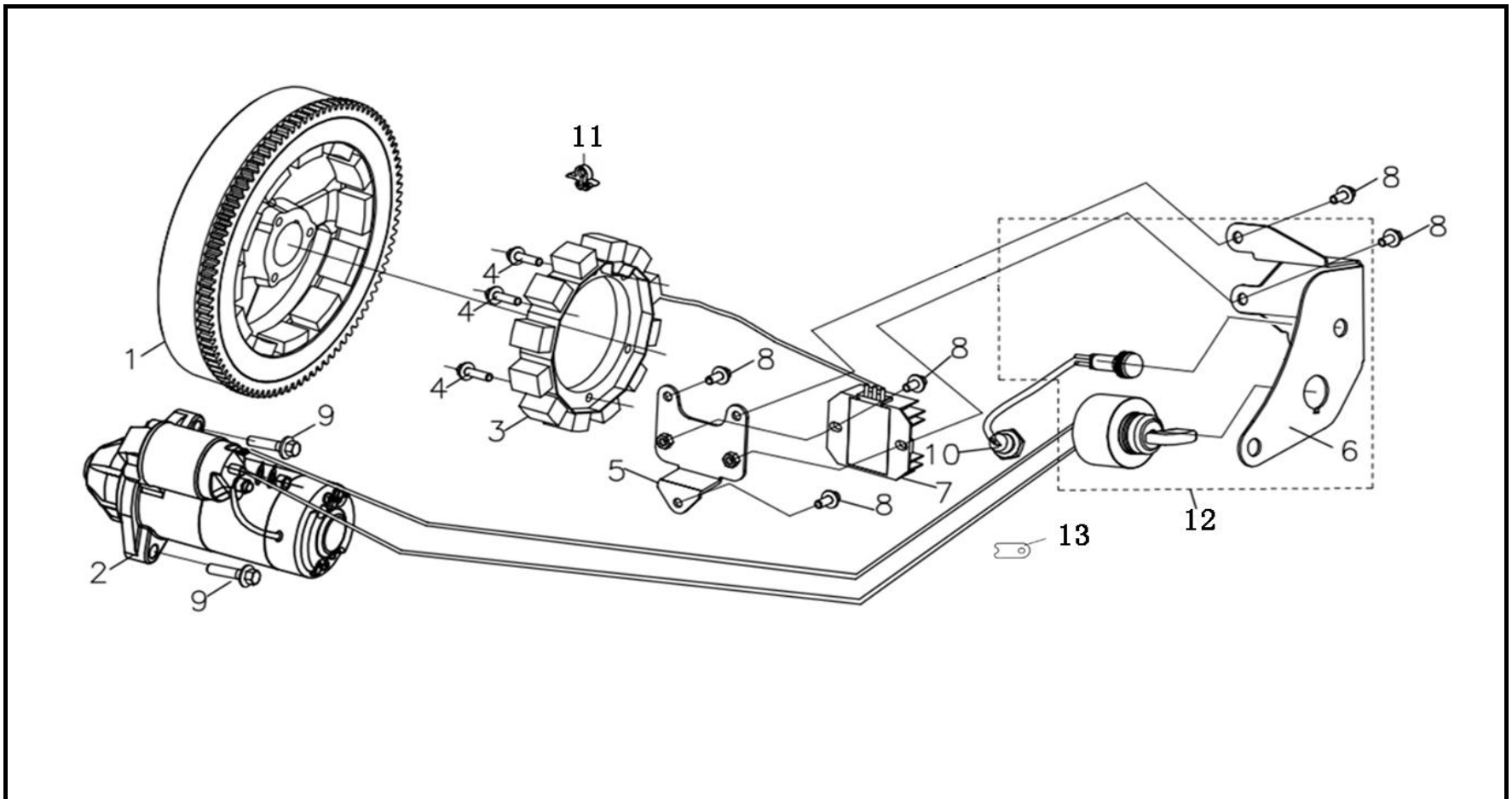
曲柄连杆机构 (**Connecting rods and Crankshaft**)

No.	Part No.		Reqd. QTY	CONSUMABLE GRADE
1	130070167-0001	Piston ring combination	1	A
2	380560103-0001	Steel cable baffle ring	2	B
3	130030186-0001	Piston	1	A
4	130060062-0001	Piston pin	1	C
5	130150089-0001	Connecting rod	1	B
6	110280009-0001	bearing bush	2	B
7	130290591-0001	crankshaft	1	B
8	130430019-0001	Balancing shaft	1	B
9	380450702-0001	Flat washer	1	C
10	380140457-0001	Hexagon bolt	1	C



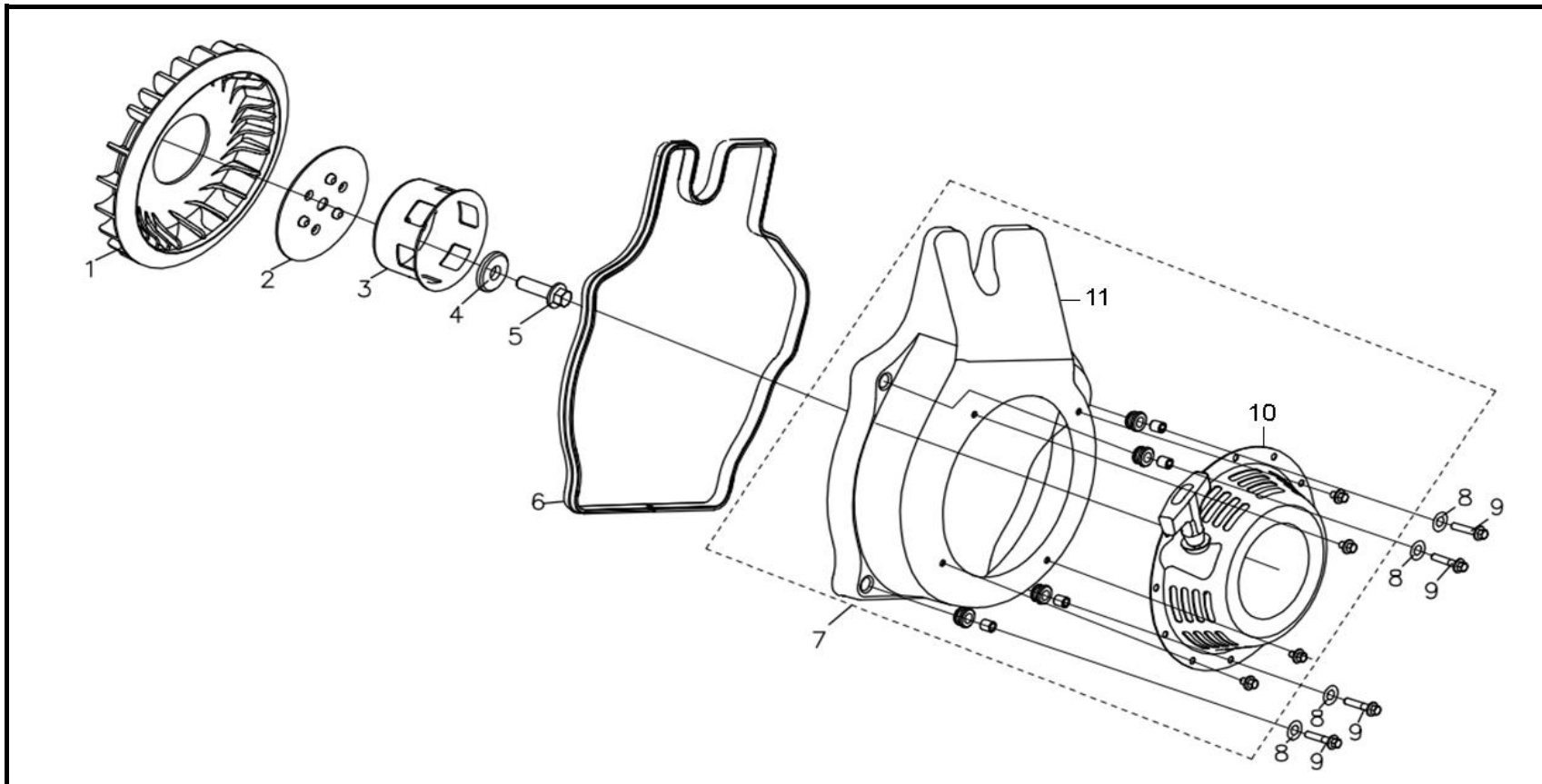
配气机构 (Valve Train)

No.	Part No.		Reqd. QTY	CONSUMABLE GRAD
1	140450072-0001	Valve rocker combination	1	B
2	140450073-0001	Valve rocker combination	1	B
3	140510062-0001	Valve rocker shaft	2	B
4	140540029-0001	Rocker support seat	2	B
5	140670055-0001	Push rod	2	B
6	140690023-0001	Lifter, Valve	2	B
7	140020175-0001	Camshaft assy	1	B
8	500550100-0001	Valve Kit	1	B
9	140380040-0001	Retainer, valve spring	2	B
10	140390015-0001	Valve locker	4	B
11	140340040-0001	Inner spring of valve	2	A
12	140400012-0001	Valve oil seal	2	B
13	140360014-0001	Seat, valve spring	2	B



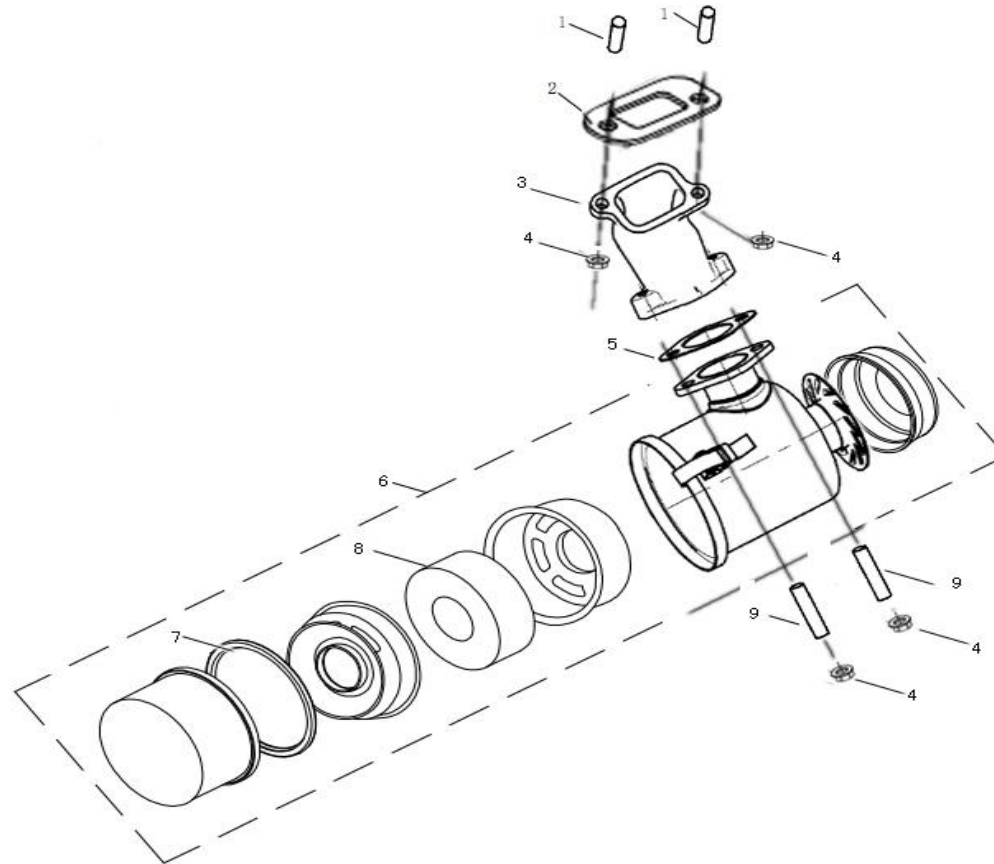
电器系统 (Electrical System)

No.	Part No.		Reqd. QTY	CONSUMABLE GRADE
1	270020213-0001	FLYWHEEL COMP	1	B
2	270360060-0001	Components of starting motor	1	B
3	270190013-0001	Components of charging current armature	1	A
4	380140102-0004	Hexagon bolt with flange	3	C
5	270910010-0001	rectifier voltage regulator Support	1	C
6	271380040-0001	Ignition Switch Support	1	C
7	270880146-0001	RectifierVariable voltage rectifier	1	A
8	380140215-0003	Hexagon bolt with flange	5	C
9	380140126-0004	Hexagon bolt with flange	2	C
10	283690003-0001	Oil level alarm	1	A
11	380930027-0001	Location wire nail	2	A
12	271810029-0001	Start control switch	1	B
13	270280020-0001	Tension disc for wire bundle	1	C



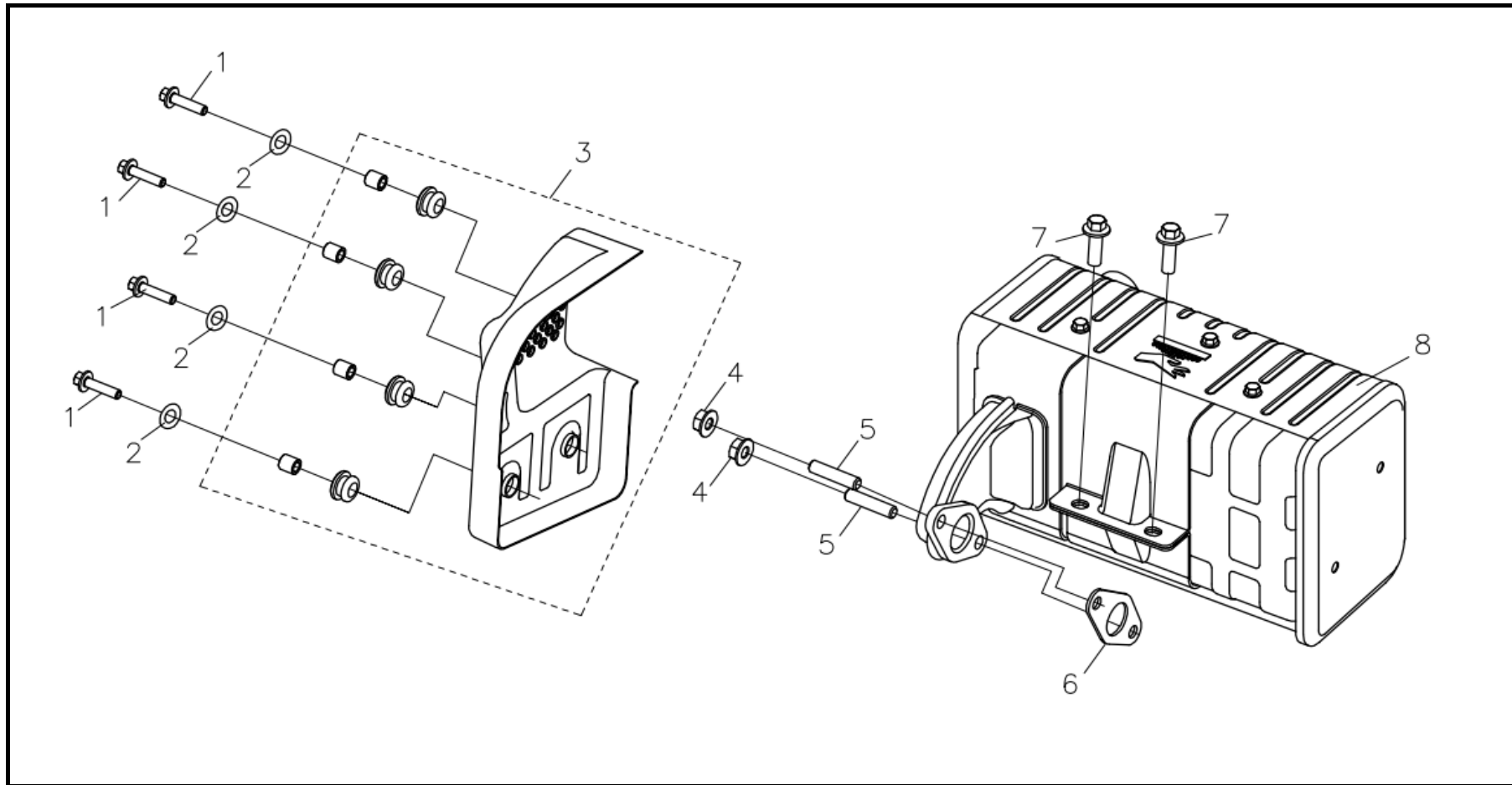
手起动机组件 (Pullstart Assy)

No.	Part No.		Reqd. QTY	CONSUMABLE GRADE
1	160180030-0001	Impeller	1	B
2	660880002-0001	Impeller pressing plate	1	C
3	193590019-0001	Starting disc	1	C
4	380450702-0001	Flat washer	1	C
5	380140457-0001	Hexagon bolt	1	C
6	380840758-0001	Seal ring	1	A
7	193490200-0001	Manual starting assembly	1	B
8	380450828-0001	Flat washer	4	C
9	380140095-0005	Hexagon bolt with flange	4	C
10	193500165-T490	Manual starting components	1	B
11	160210180-T490	Fan cover comp.	1	C



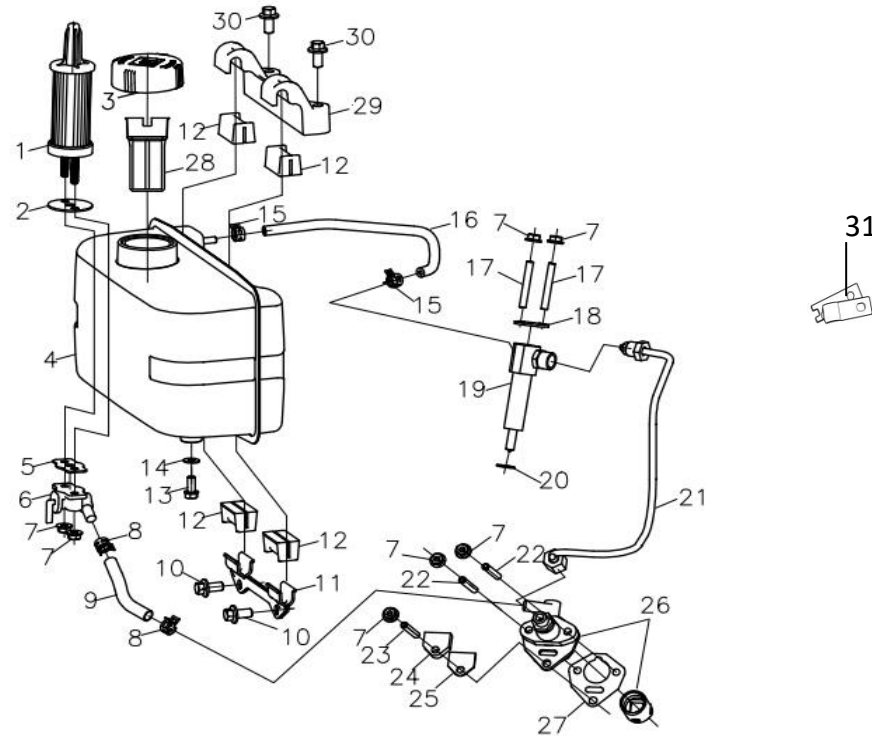
空滤器 (Air cleaner)

No.	Part No.		Reqd. QTY	CONSUMABLE GRADE
1	380180098-0001	Stud	2	C
2	183000002-0001	Air intake gasket	1	A
3	180420620-0001	Intake pipe	1	C
4	380370074-0002	Hexagon nut with flange	4	C
5	183000004-0001	Air intake gasket	1	A
6	180010102-0001	Air filter	1	B
7	180090071-T270	Seal	1	A
8	180130248-T270	Air filter element	1	A
9	380180109-0001	Stud	2	C



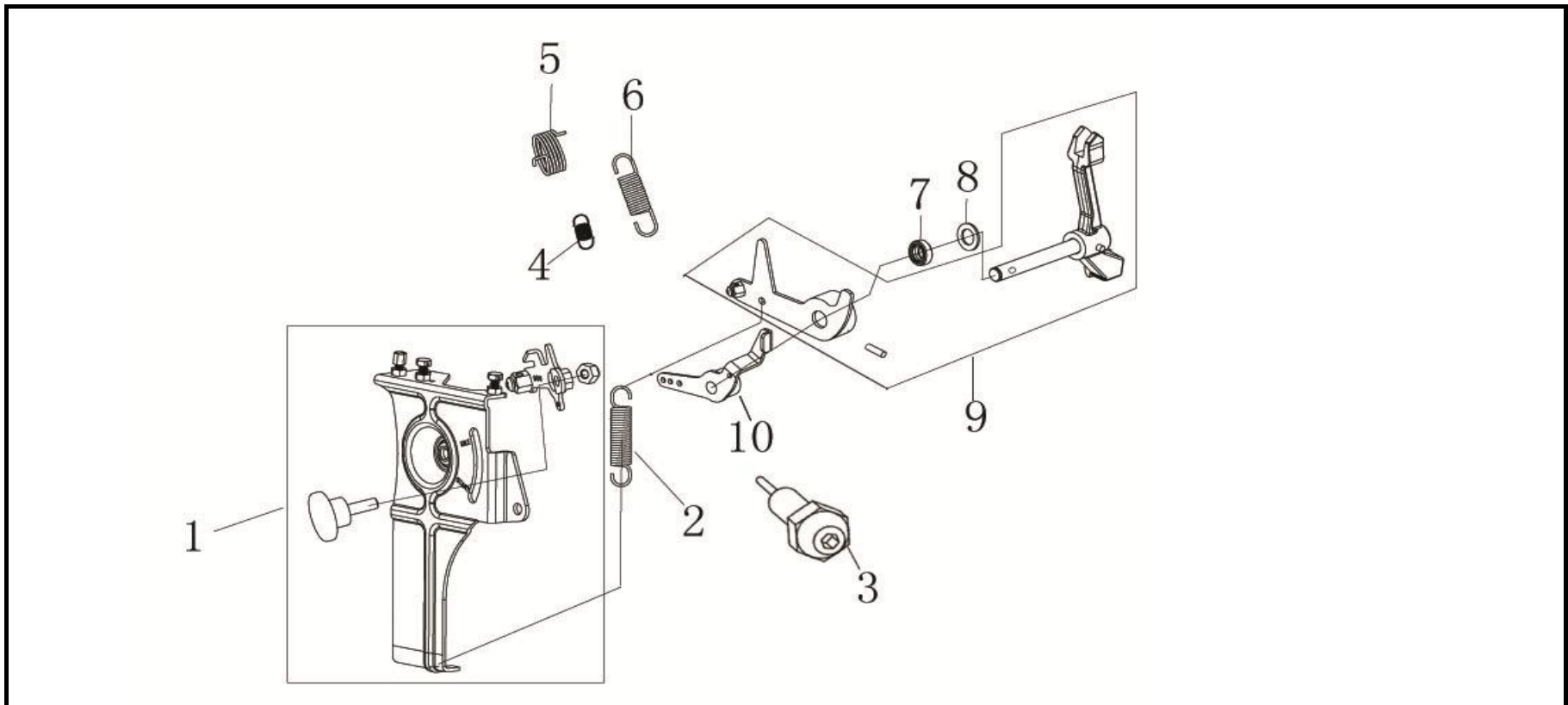
消声器 (Muffler)

No.	Part No.		Reqd. QTY	CONSUMABLE GRADE
1	380140102-0004	Hexagon bolt with flange	3	C
2	380450828-0001	Flat washer	3	C
3	160190059-0001	air deflector	1	C
4	380340005-0005	Hexagon nut	2	C
5	380180098-0001	Stud	2	C
6	180660072-0001	Muffler gasket	1	A
7	380140004-0004	Hexagon bolt with flange	2	C
8	180572426-0001	Muffler	1	B



燃油系统 (Fuel System)

No.	Part No.		Reqd. QTY	CONSUMABLE GRADE
1	170010030-0001	Fuel filter	1	A
2	660310019-0001	Sealing washer	1	A
3	170870089-0001	Tank cover	1	B
4	170500938-0001	Tank	1	B
5	171020032-0001	Oil switch gasket	1	A
6	170980092-0001	Components of oil switch	1	B
7	380370066-0001	Hexagon nut with flange	7	C
8	380960198-0001	Clip combination	2	A
9	380750661-0002	Oil tube	1	A
10	380140004-0004	Hexagon bolt with flange	2	C
11	301560017-0001	fuel Tank Bracket	1	C
12	170700141-0001	Tank damping cushion	4	A
13	110260056-0001	Sealing plug screw	1	C
14	380450916-0001	Flat washer	1	C
15	380960170-0002	Clip combination	2	A
16	380750487-0002	Oil tube	1	A
17	380180138-0001	Stud	2	C
18	174180001-0001	Fuel Pump Platen	1	C



调速系统 (Governor System)

No.	Part No.		Reqd. QTY	CONSUMABLE GRADE
1	380140215-0003	Bolt,Flange M6×14	2	C
2	171340029-T270	Knob control	1	B
3	380350008-0001	Nonmetal hexagon nuts M6	1	C
4	171580022-0001	Control assy	1	B
5	174230001-0001	Fuel stop assy.	1	B
6	381160150-0001	Torsional spring	1	A
7	381140478-0001	spring	1	A
8	171600051-0001	Spring,Governor	1	A
9	380650377-0001	Oil seal 8×14×5	1	B
10	380450592-0001	Washer φ8.5×φ15.8×2	2	C
11	194530021-0001	Fork	1	B