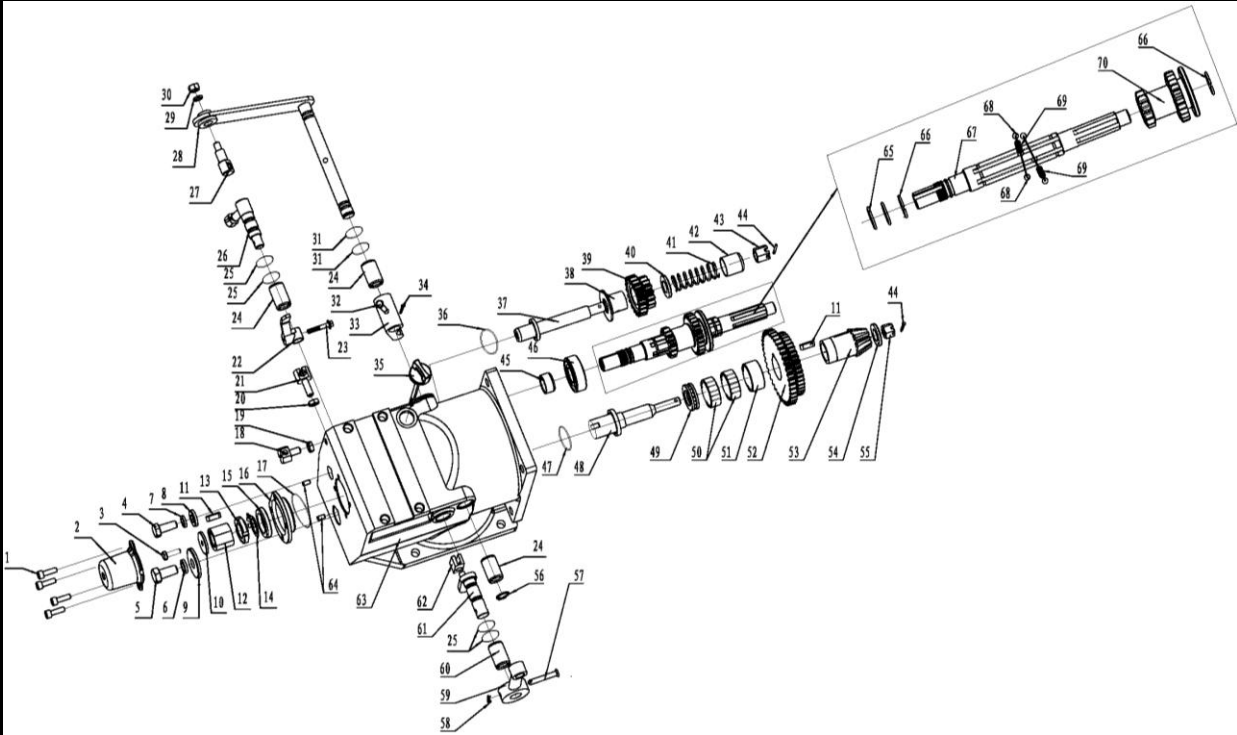


# GT1350

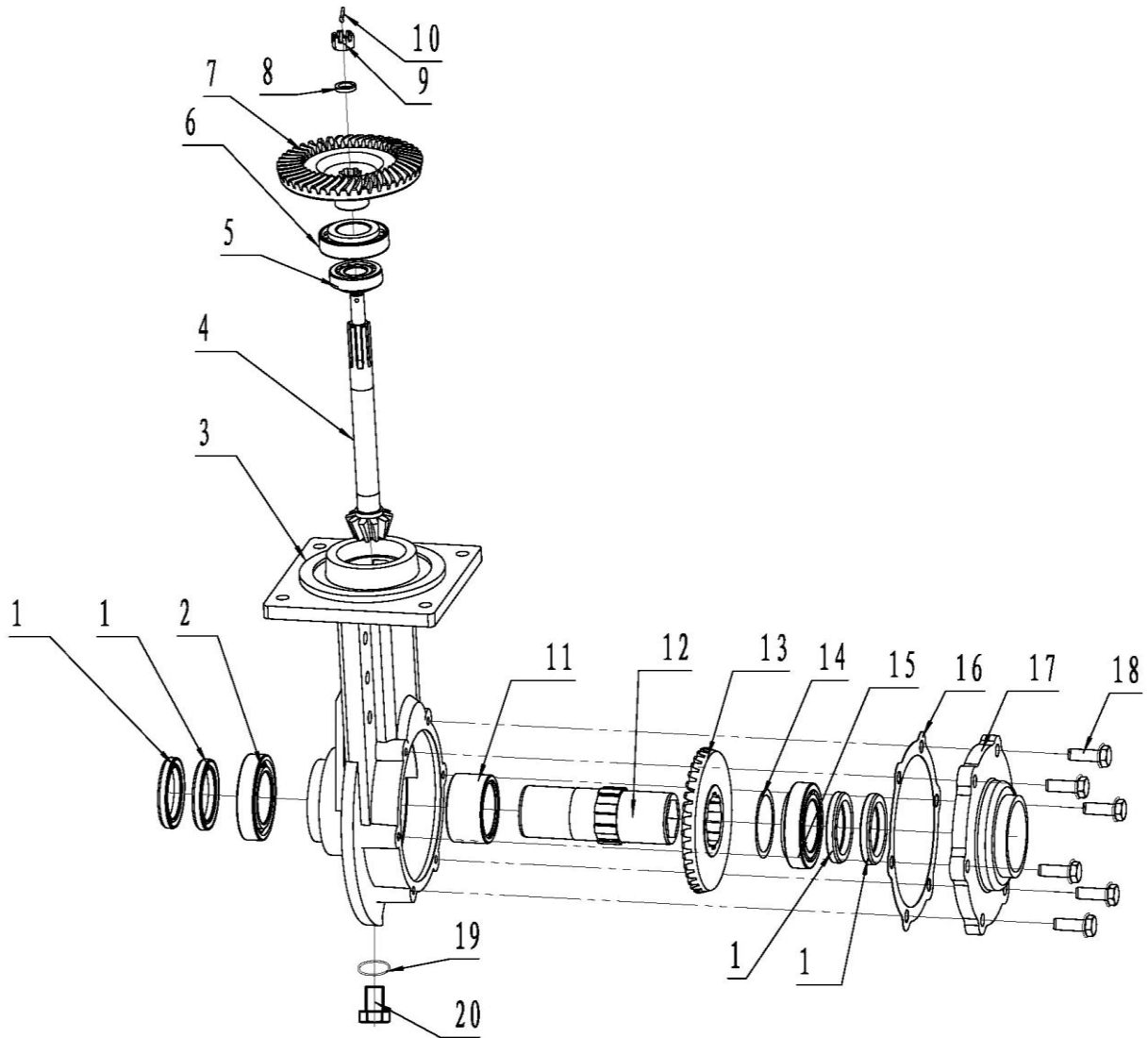
## 1: Gear box assembly



REF.NO	PART NO	DESCRIPTION	Q'TY
1	3037001007133	bolt M6×16	4
2	W1327T0500000	main shaft cover	1
3	3037001003126	bolt M8×25	1
4	3037001003116	bolt M10×25	1
5	3037001004036	bolt M12×1.25×25	1
6	3037005004027	spring washer 12	1
7	3037005004035	spring washer 10	1
8	3037011023001	washer 22×10.5×4	1
9	3037005027003	washer 37×13×3	1
10	3037005027002	washer 24×8.5×2	1
11	3037008001039	key A6×6×20	2
12	W1333T0500000	key sheath 18	1
13	3037004026002	nut M20×1.5	1
14	3037005029002	stop washer 20	1
15	3037010001029	oil seal B25×40×7	1
16	W1302T0500000	gland	1
17	3037010002059	O-ring 45×1.8	1
18	W1319T0500000	clutch cable fixture	1
19	3037004001038	nut M8	1
20	3037004001038	nut M8	1
21	W1317T0500000	reverse gear cable fixture	1
22	W1312T0500000	reverse gear fork	1
23	3037001006050	bolt M5×30	1
24	W1314T0500000	fork axle bush	3

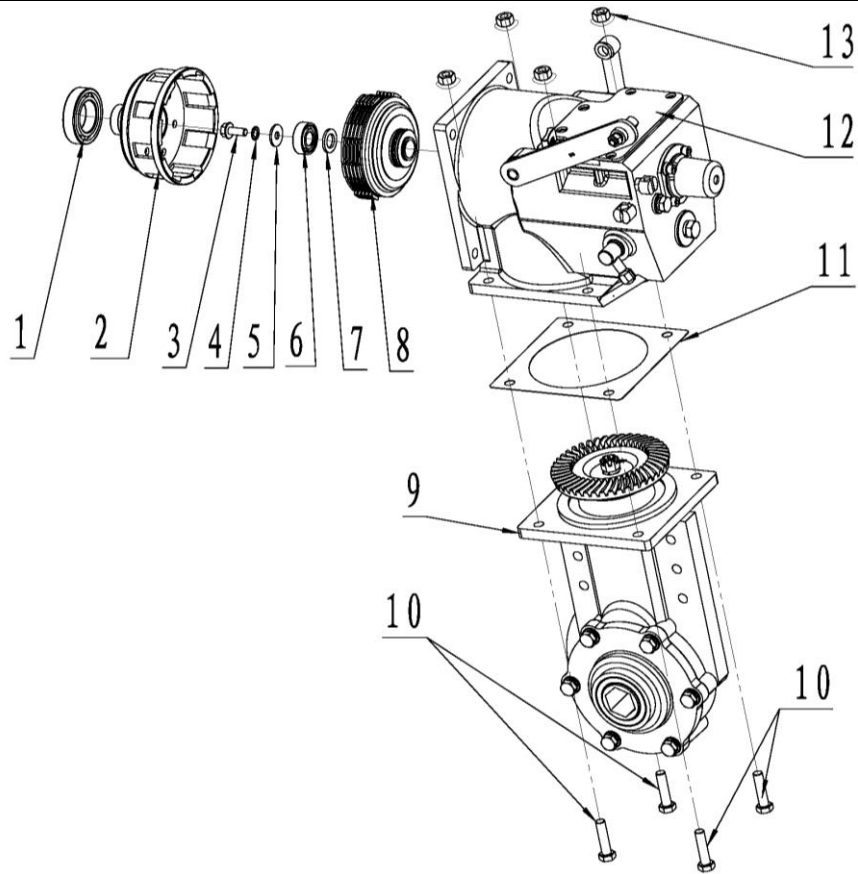
REF.NO	PART NO	DESCRIPTION	Q'TY
25	3037010002004	O-ring 11.2x2.65	4
26	W1313T0500000	reverse gear fork axle	1
27	W1318T0500000	clutch cable movable fixture	1
28	W1316T0500000	clutch fork axle	1
29	3037005004036	spring washer 8	1
30	3037004001038	nut M8	1
31	3037010002004	O-ring 11.2x2.65	4
32	3037007002022	pin B 6x30	1
33	W1315T0500000	clutch fork	1
34	3037007003003	cotter pin 1.6x20	1
35	W1801T0001000	dipstick	1
36	3037010002060	O-ring 18x1.8	1
37	W1207T0500000	reverse gear shaft	1
38	W1208T0500000	reverse gear push plate	1
39	W1209T0500000	reverse gear double gear	1
40	3037005005002	washer 17x28x2.5	1
41	W1502T0001000	reverse gear spring	1
42	W1304T0500000	reverse gear stop sheath	1
43	3037004027002	slotted nut M12	1
44	3037007003015	cotter pin 2x30	2
45	W1301T0500000	main shaft sheath	1
46	3037009001053	ball bearing 6204	1
47	3037010002012	O-ring 25x1.8	1
48	W1203T0500000	counter shaft	1
49	3037009004001	thrust ball bearing 51104	1
50	3037009003006	needle bearing K182420	2
51	W1321T0500000	counter shaft sleeve	1
52	W1204T0500000	counter shaft double gear	1
53	W1214T0500000	driving bevel gear	1
54	3037005011007	washer 10	1
55	3037004027001	slotted nut M10	1
56	3037005009001	circlip for shaft 16	1
57	3037007002023	pin 6x40	1
58	3037007003003	cotter pin 1.6x20	1
59	W1309T0500000	shifting lever sheath	1
60	W1307T0500000	shifting fork axle sheath	1
61	W1308T0500000	shifting fork axle	1
62	W1306T0500000	shifting fork	1
63	W1101T0500XXX	transmission box casing	1
64	3037007001015	pin A5x10	2
65	3037010002008	O-ring 16x1.8	2
66	3037005014003	circlip for shaft 25x2	2
67	W1201T0500000	main shaft	1
68	3037011007003	ball Sφ6	4
69	W1501T0100000	shifting spring	2
70	W1202T0500000	driving dual gear	1

## 2: Driving box assembly



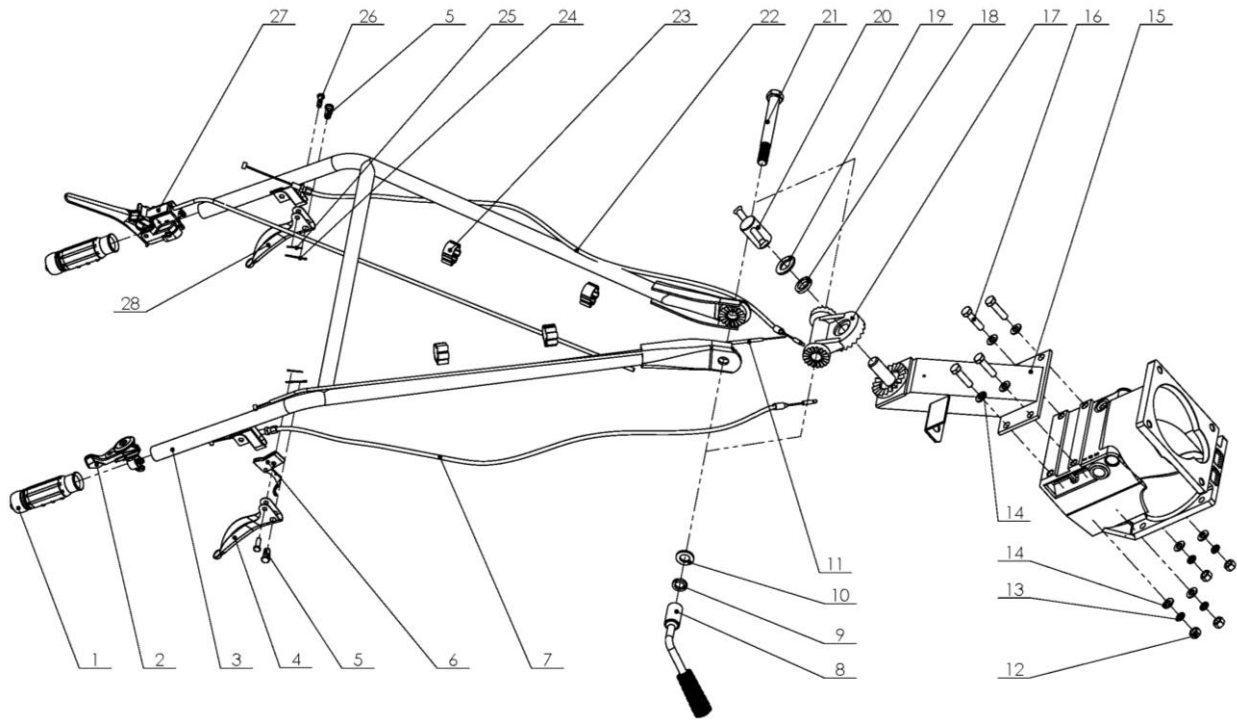
REF.NO	PART NO	DESCRIPTION	Q'TY
1	3037010001037	Oil seal B45×62×8	4
2	3037009001055	Ball bearing 6009	1
3	W1102T0500XXX	Driving box casing	1
4	W1216T0500000	Bevel gear axle	1
5	3037009005002	Taper roller bearing 30204	1
6	3037009005004	Taper roller bearing 30206	1
7	W1215T0500000	Driven bevel gear	1
8	3037005004027	Spring Washer 12	1
9	3037004027002	Slotted Nut M12	1
10	3037007003015	Cotter Pin 2.5×20	1
11	W1305T0500000	Output Shaft Sleeve	1
12	W1218T0500000	Hexagonal Output Shaft Sleeve	1
13	W1217T0500000	Driving bevel gear	1
14	3037011023002	Washer 60*45.5*0.5	1
15	3037009005006	Taper roller bearing 32009	1
16	W1401T0500000	Driving Box Gasket δ0.5	1
17	W1103T0500XXX	Driving Box Side Cover	1
18	3037001008061	Bolt M10×30	6
19	3037010002004	O-ring 11.2*2.65	1
20	3037001013008	Draining plug M12×1.25×15	1

### 3: Transmission box joint



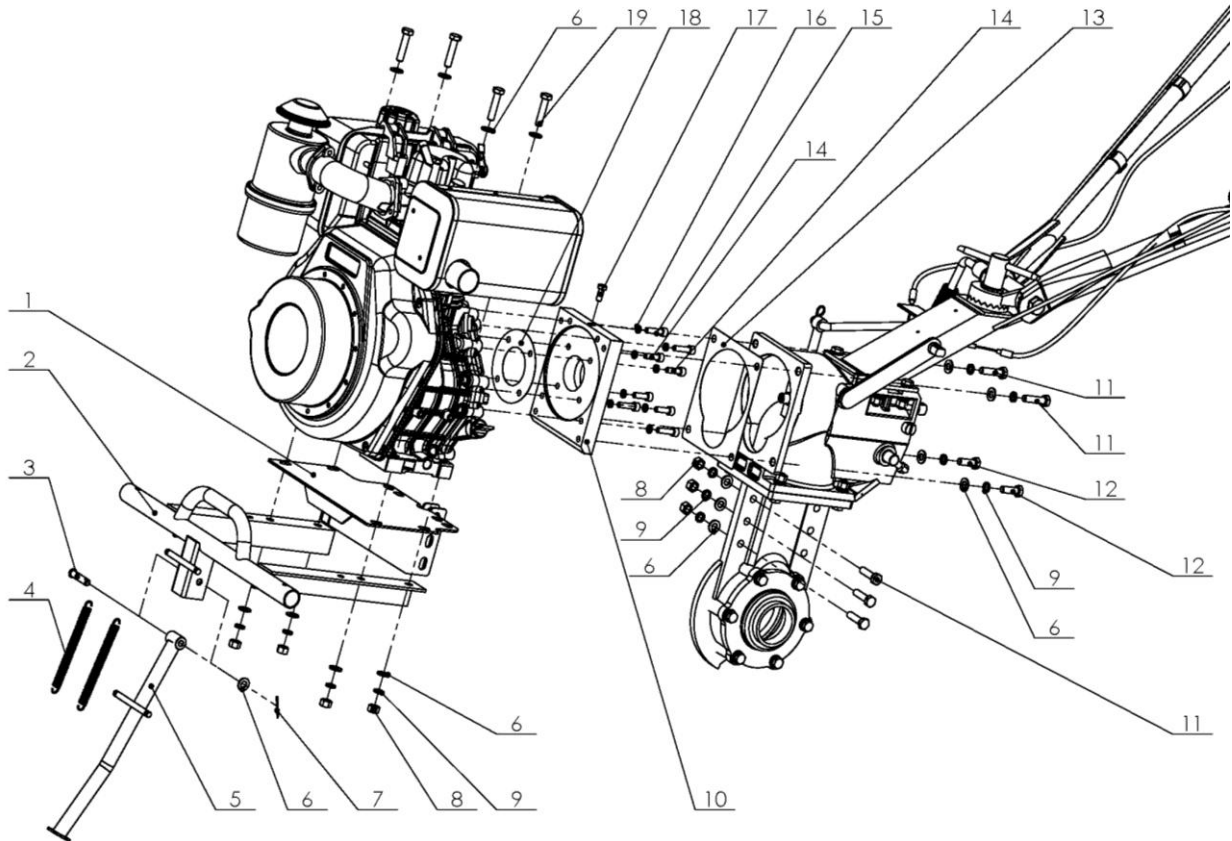
REF.NO	PART NO	DESCRIPTION	Q'TY
1	3037009001054	Ball Bearing 6007	1
2	W1631T0500000	Clutch Cover Assy	1
3	3037001003126	Bolt M8×20	1
4	3037005006004	Sawtooth Fasten Washer 8	1
5	3037005027002	Washer 24×8.5×2	1
6	3037009001004	Ball Bearing 6202	1
7	W1632T0000000	Clutch Washer 26×15.3×2.7	1
8	W1610T0500000	Clutch Core Assy	1
9	W1120T0501XXX	Driving Box Assy	1
10	3037001003119	Bolt M10×40	4
11	W1402T0500000	Gearbox Gasket	1
12	W1110T0501XXX	Gearbox Assy	1
13	3037004016017	Nut M10	4

## 4: Handle assy & handle base



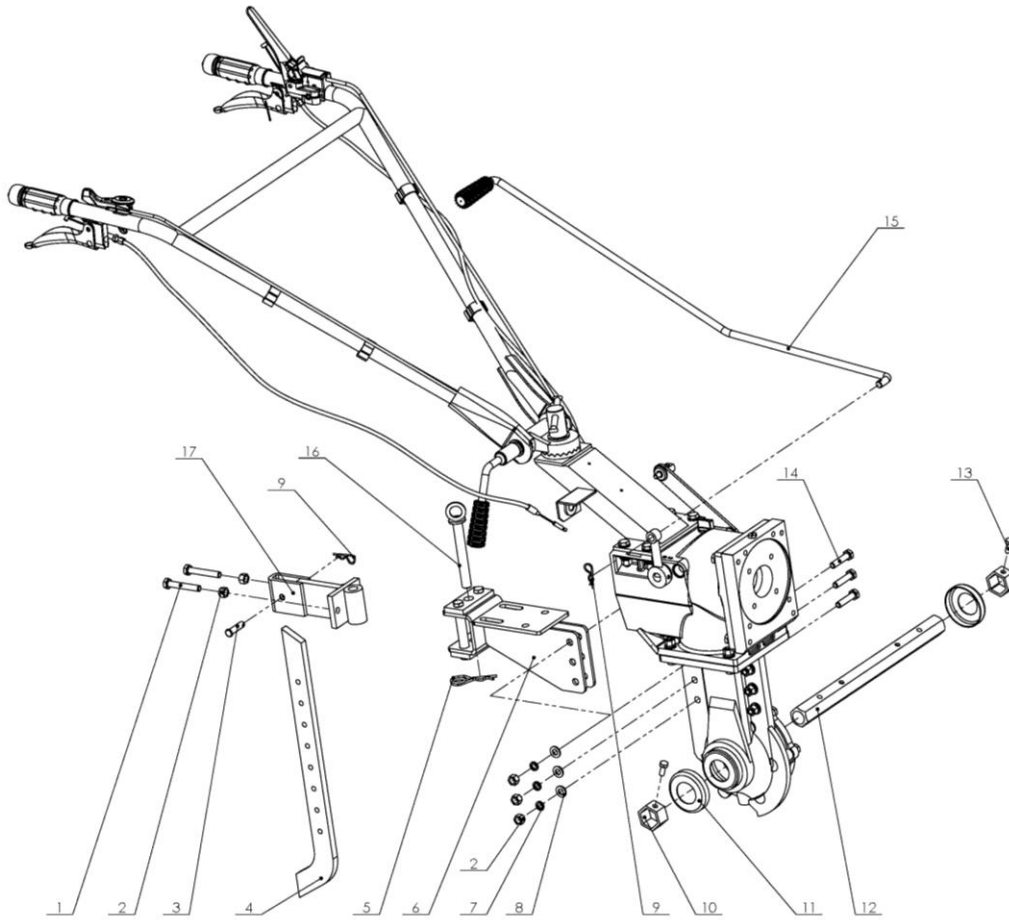
REF.NO	PART NO	DESCRIPTION	Q'TY
1	W4504T0001000	Hand Grip 25	2
2	W4106T0004000	Throttle Switch 25	1
3	W4108T0500XXX	Handle Bar	1
4	W4104T0000000	Reverse Gear Handle	2
5	3037011020001	Cable Fixture, Handle	2
6	W4102T0000000	Reverse Gear Lock	1
7	W4401T0400000	Reverse Gear Cable	1
8	W4020T0000000	Handle Locking Bar	1
9	3037005004037	Washer 16	1
10	3037005019022	Washer A Class 16×3	1
11	W4403T0004000	Throttle Cable 1400	1
12	3037004001036	Nut C class M10	4
13	3037005004035	Washer 10×2.6	4
14	3037005019021	Washer A Class 10×2	8
15	W4008T0500XXX	Handle Base 360°	1
16	3037001003119	Bolt M10×40	4
17	W4007T0000000	Fluted Disc	1
18	3037005004038	Spring washer 20×5	1
19	3037005019023	Washer A Class 20×3	1
20	W4004T0000000	Fluted Disc Fastener	1
21	3037001001054	bolt M16×160	1
22	W4402T0400000	Clutch Cable	1
23	W4503T0001000	Cable Clip 25	4
24	3037007003005	Cotter Pin 2×30	2
25	3037007003003	Cotter Pin 1.6×20	2
26	3037007002014	pin 6.8×24	2
27	W4107T0002000	Emergency Stop Bar	1
28	W4104T0000000	Clutch Handle	1

## 5: Engine bracket



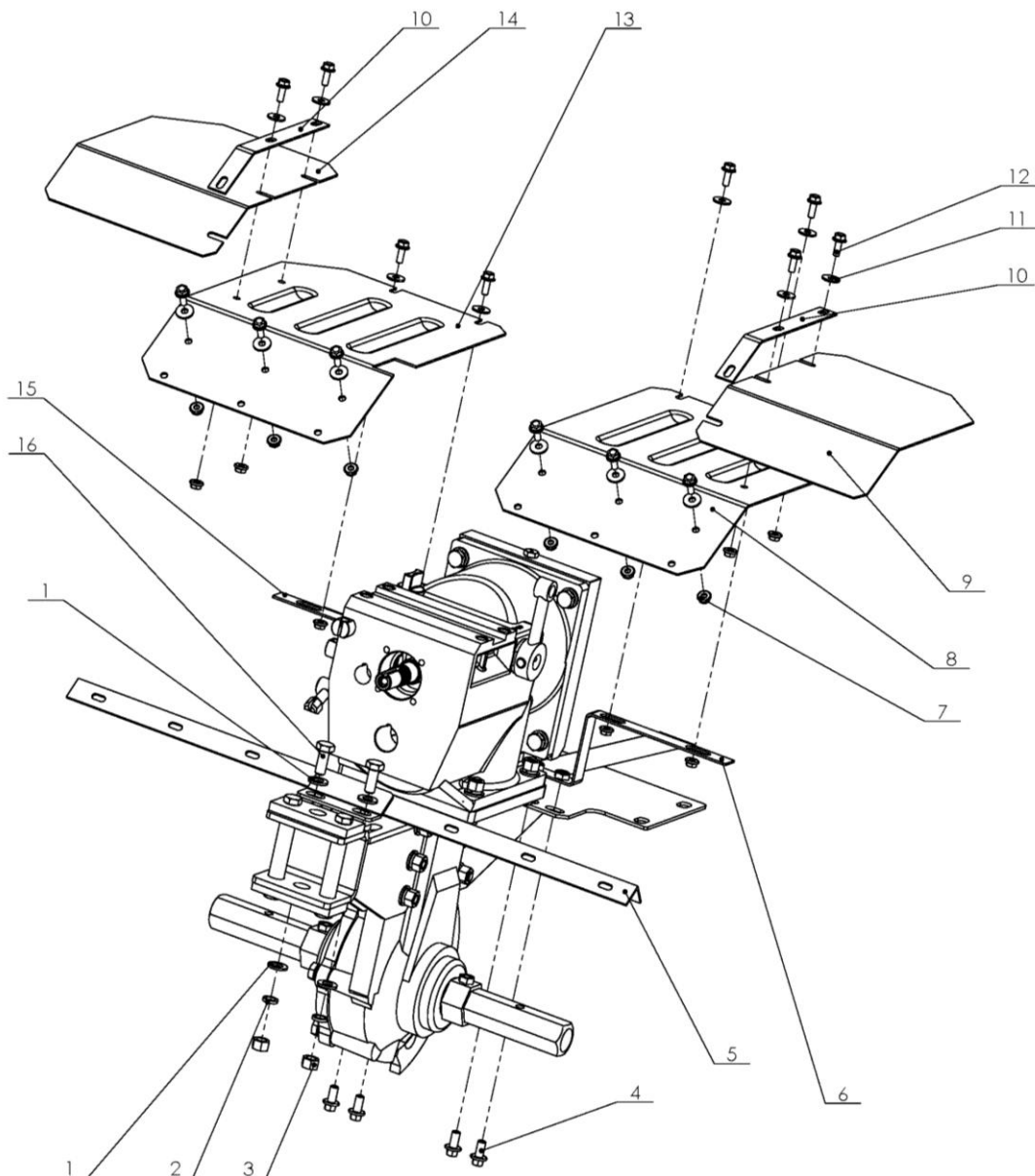
REF.NO	PART NO	DESCRIPTION	Q'TY
1	W3101T0500000	Engine Bracket	1
2	W3201T0500000	Bumper	1
3	3037007002019	Pin B 10×45	1
4	W3302T0000000	Front Stand Spring	2
5	W3202T0001000	Front Stand	1
6	3037005019021	Washer A Class 10×2	15
7	3037007003005	Cotter Pin 2×30	1
8	3037004001036	Nut C class M10	7
9	3037005004035	Spring Washer 10×2.6	11
10	W1701T0400XXX	Flange Plate, Diesel Engine	1
11	3037001003119	Bolt M10×40	5
12	3037001003117	Bolt M10×30	2
13	W1404T0500000	Flange Plate Gasket	1
14	3037002001010	Socket Cap Bolt M8×25	4
15	3037002001011	Socket Cap Bolt M8×30	4
16	3037005004036	Spring Washer 8×2.1	8
17	3037011019001	Hollow Bolt M12×1.25×20	1
18	W1407T0400000	Engine Gasket, Diesel	1
19	3037001003120	Bolt M10×45	4

## 6: Dragging assy



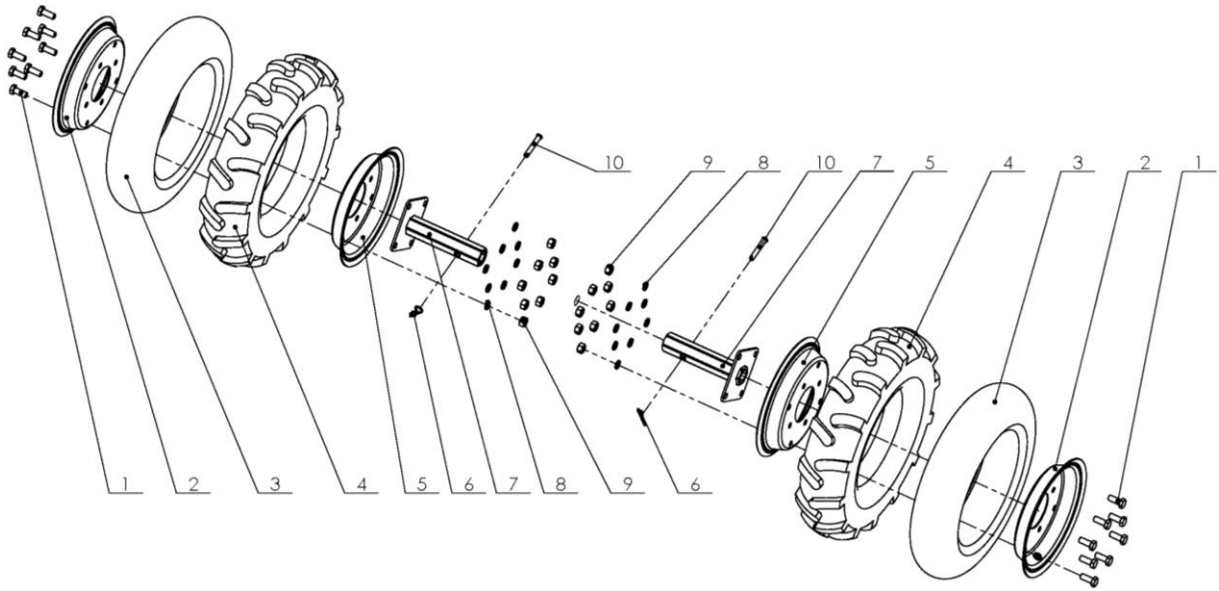
REF.NO	PART NO	DESCRIPTION	Q'TY
1	3037001003121	Bolt M10×65	2
2	3037004001036	Nut C class M10	5
3	3037007002018	Pin B 10×40	1
4	W3003T0000000	L-shape Resistance Rod	1
5	3037007008004	Pin Clip 3.2×60	1
6	W3001T0500000	Dragging Assy	1
7	3037005004035	Spring Washer 10×2.6	3
8	3037005019021	Washer A Class 10×2	3
9	3037007008003	Pin Clip 2×40	2
10	W1328T0500000	Hexagonal Locking Bush	2
11	3037004001038	Nut A/B M8	2
12	W1329T0500000	Dust Cover	2
13	W1221T0400000	Hexagonal Output Shaft 400	1
14	3037001003126	Bolt M8×20	2
15	3037001003120	Bolt M10×45	3
16	W4200T0400000	Shifting Lever	1
17	W3004T0000000	Pin 16	1
18	W3002T0300000	Connection Bracket	1

## 7: Fender set



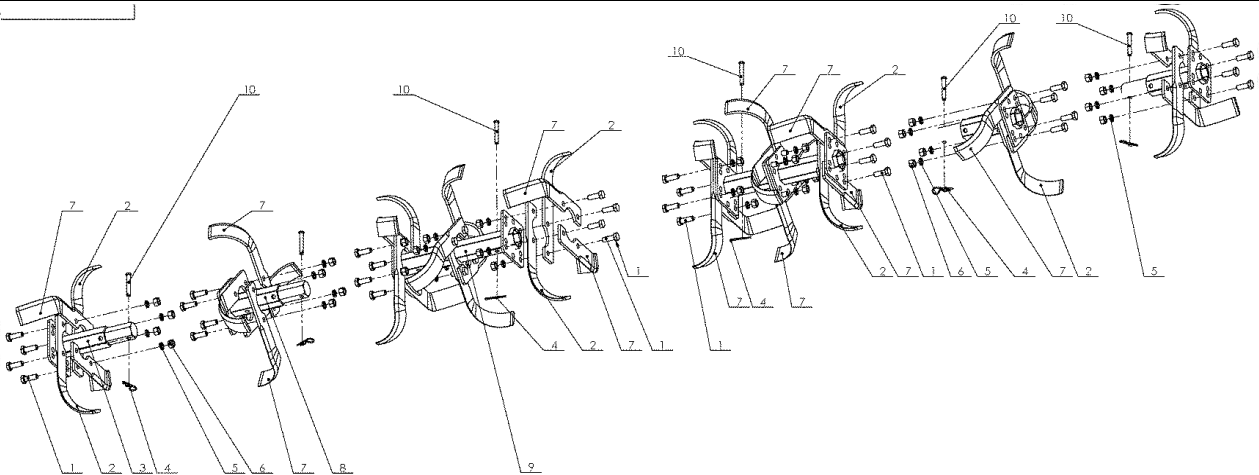
REF.NO	PART NO	DESCRIPTION	Q'TY
1	3037005019021	Washer A Class 10x2	4
2	3037005004035	Spring Washer 10x2.6	2
3	3037004001036	Nut C class M10	2
4	3037001008047	Bolt M8x16	4
5	W5201T0400000	Rear Fender Bracket	1
6	W5103T0400000	Right Fender Bracket	1
7	3037004016015	Nut M6	14
8	W5004T0500XXX	Right Fender	1
9	W5006T0500XXX	Outer Right Fender	1
10	W5001T0500XXX	Fender Stripe	2
11	3037005027001	Washer 6x18x1.6	14
12	3037001007133	Bolt M6x16	14
13	W5003T0500XXX	Left Fender	1
14	W5005T0500XXX	Left Outer Fender	1
15	W5102T0400000	Left Fender Bracket	1
16	3037001003116	Bolt M10x25	2

## 8: Wheels



REF.NO	PART NO	DESCRIPTION	Q'TY
1	3037001003116	Bolt M10×25	16
2	W6004T0001XXX	Outer tire rim 4.0-8	2
3	W6002T0001000	Inner tube 4.0-8	2
4	W6001T0001000	V-shape tire 4.0-8	2
5	W6003T0001XXX	Inner tire rim 4.0-8	2
6	3037007008003	Pin clip 2×40	2
7	W6006T0000XXX	Wheel shaft $\phi$ 32 280	2
8	3037005004035	Spring washer 10×2.6	16
9	3037004001036	Nut A M10	16
10	3037007002017	Pin 8×50	2

## 9: Tilling blades



REF.NO	PART NO	DESCRIPTION	Q'TY
1	3037001003117	Bolt M10×30	40
2	W7701T0000000	Right dryland blade	20
3	W7501T0001000	Parallel vice blade shaft $\phi$ 32	2
4	3037007008003	Pin clip 2×40	6
5	3037005004035	Spring washer 10×2.6	40
6	3037004001036	Nut C class M10	40
7	W7601T0000000	Left dryland blade	20
8	W7301T0003000	45° vice blade shaft $\phi$ 32	2
9	W7303T0003000	45° main blade shaft $\phi$ 32	2
10	3037007002017	Pin 8×50	2