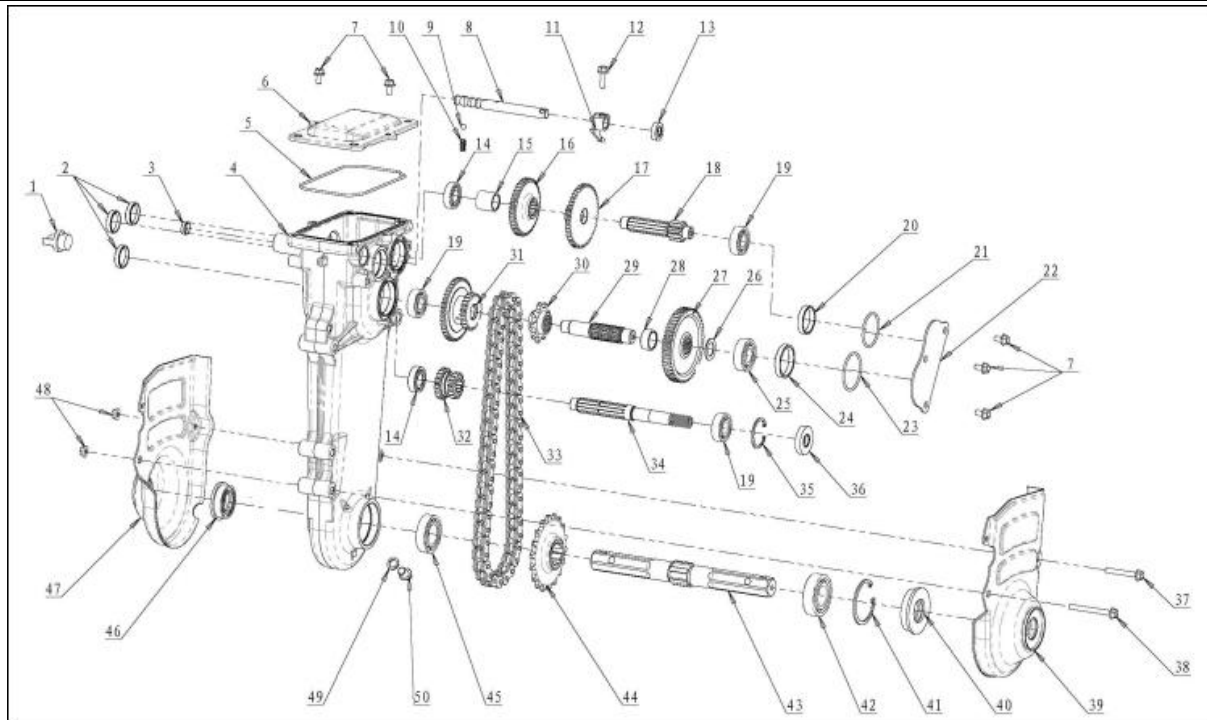


GT750

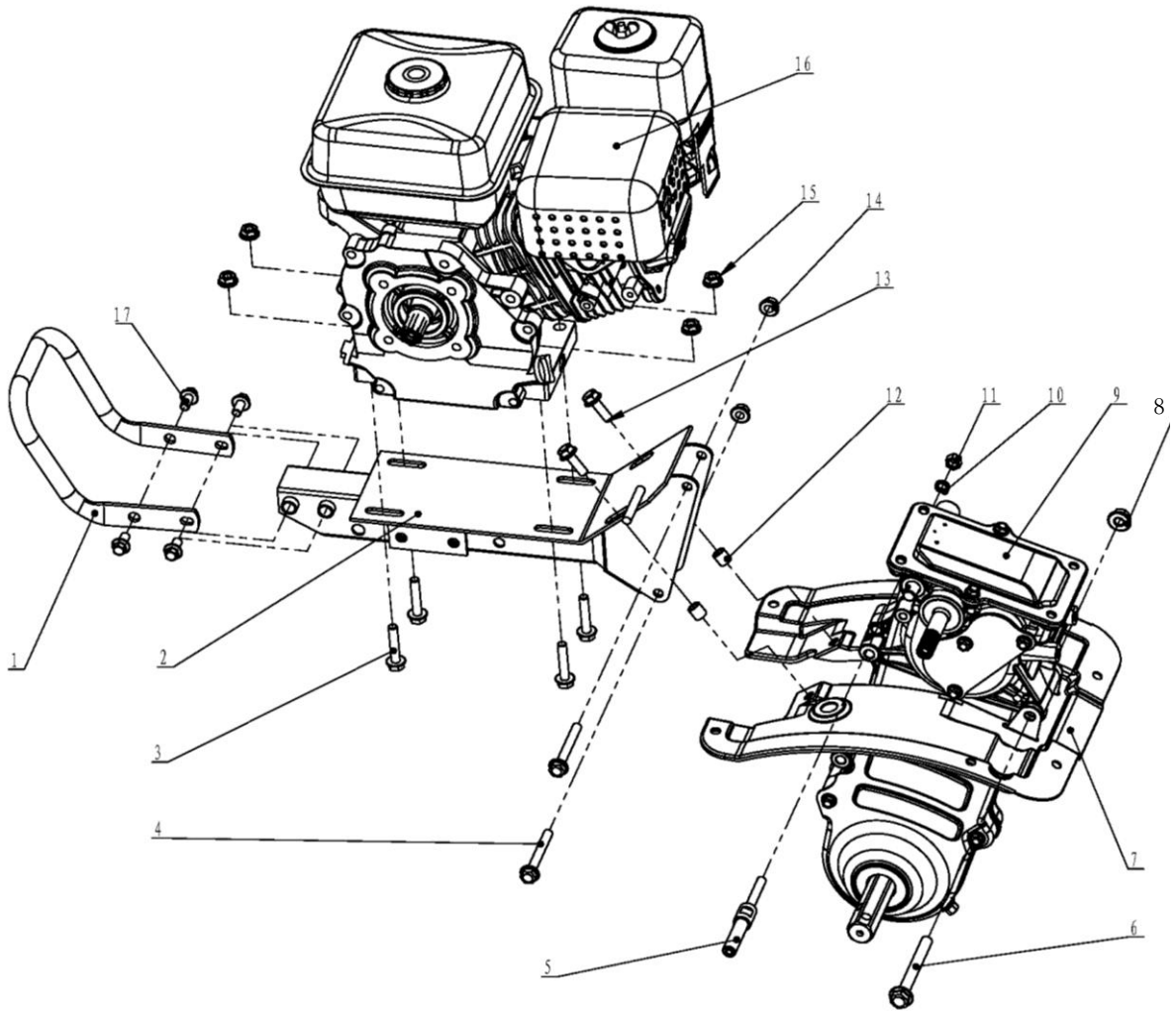


REF.NO.	PART NO	DESCRIPTION	Q'TY
1	W1802T0000000	Oil Hole Plug	1
2	3037010001036	Oil seal , End-shield EC28*7	3
3	3037010001035	Oil seal , End-shield EC16*6	1
4	W1101T0100000	Gear Box	1
5	W1405T0100000	Seal Ring,Top Cover	1
6	W5401T0100000	Top cover Comp , Gear Box	1
7	G900106010010	Bolt M6×10	5
8	W1308T0100000	Gearshift Fork shaft	1
9	3037011007003	Steel Ball SØ6.35	1
10	W1501T0100000	Shift Spring	1
11	W1306T0100000	Gearshift Fork shaft	1
12	G900106016010	Bolt M6×16	1
13	3037010001031	Oil Seal 12×22×6	1
14	3037009001050	Bearing 6002/P6	2
15	W1321T0100000	Counter Shaft Sleeve 18*26*18	1
16	W1206T0100000	The 2nd Driven Gear	1
17	W1205T0100000	The 1st Driven Gear	1
18	W1203T0100000	Counter Shaft	1
19	G905462026000	Bearing 6202/P6	3
20	W1322T0100000	Counter Shaft Sleeve 30*35*7	1
21	3037010002016	O-ring40*2.65	1
22	W1331T0100000	Oil Stopper	1
23	3037010002058	O-ring 45*2.65	1
24	W1324T0100000	Driving Shaft Sleeve	1
25	G905462036000	Bearing 6203	1
26	W1332T0100000	Driving Shaft Washer	1
27	W1212T0100000	Driving Gear	1
28	W1323T0100000	Driving Gear Sleeve	1
29	W1211T0100000	Driving Sprocket Shaft	1
30	W1213T0100000	Driving Sprocket	1
31	W1209T0100000	Reverse gear,Dual	1
32	W1202T0100000	Driving gear,Dual	1
33	W1222T0001000	Chain(50 Joints)	1
34	W1201T0100000	Main Shaft	1

1: ΜΕΤΑΔΟΣΗ ΚΙΝΗΣΗΣ

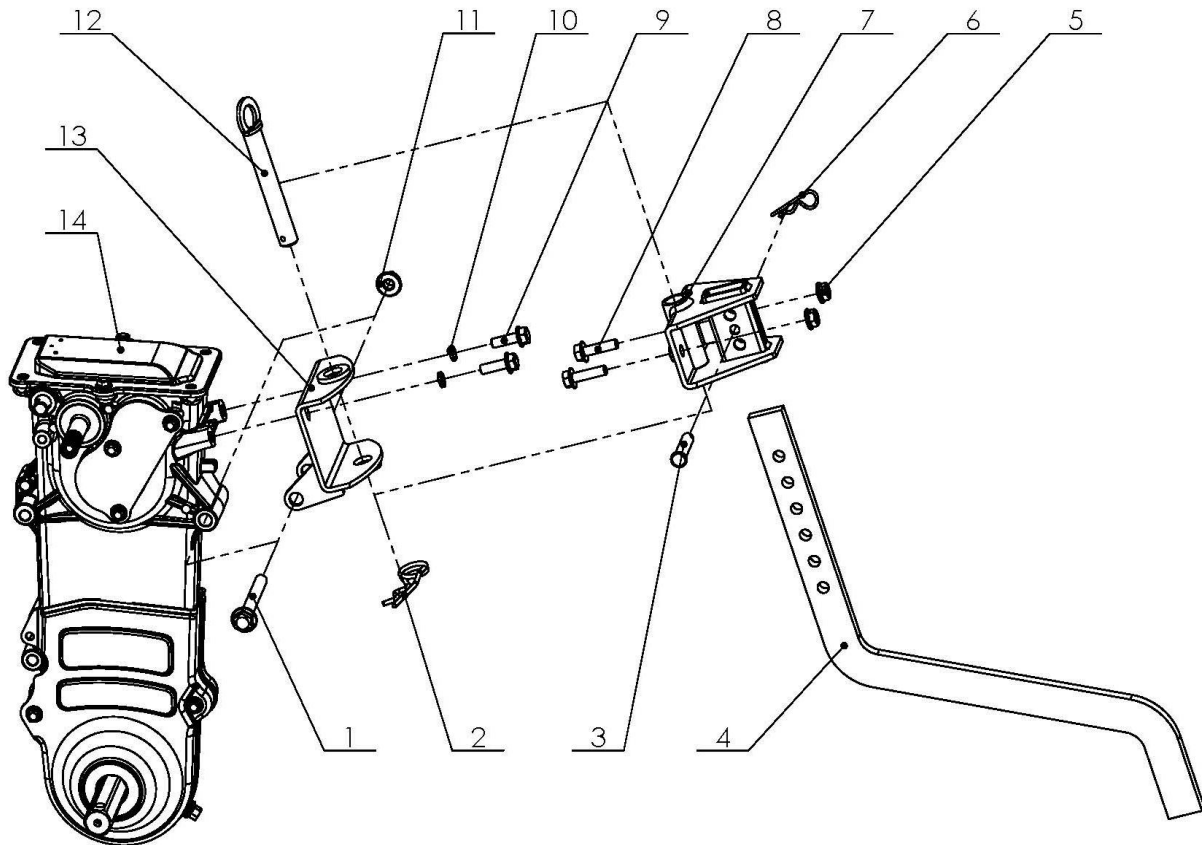
REF.NO.	PART NO	DESCRIPTION	Q'TY
35	3037005010010	Circlip 35	1
36	3037010001032	Oil Seal 15x35x7	1
37	G900106045010	Bolt M6x45	1
38	G900106055010	Bolt M6x55	1
39	W5402T0100000	Gear Box Left Cover	1
40	3037010001034	Oil Seal 25x52x13	1
41	3037005010011	Circlip 52	1
42	G905462056000	Bearing 6205/P6	1
43	W1221T0100000	Driven Sprocket Shaft	1
44	W1219T0100000	Driven Sprocket	1
45	3037009001052	Bearing 6005	1
46	3037010001033	Oil Seal 25x41x13	1
47	W5403T0100000	Gear Box Right Cover	1
48	G900406000010	Nut M6	2
49	G9041E0101000	Washer 10.2*16*1.5	1
50	G910110015010	BoltM10x1.25x10	1

2: ΠΛΑΙΣΙΟ ΚΙΝΗΤΗΡΑ



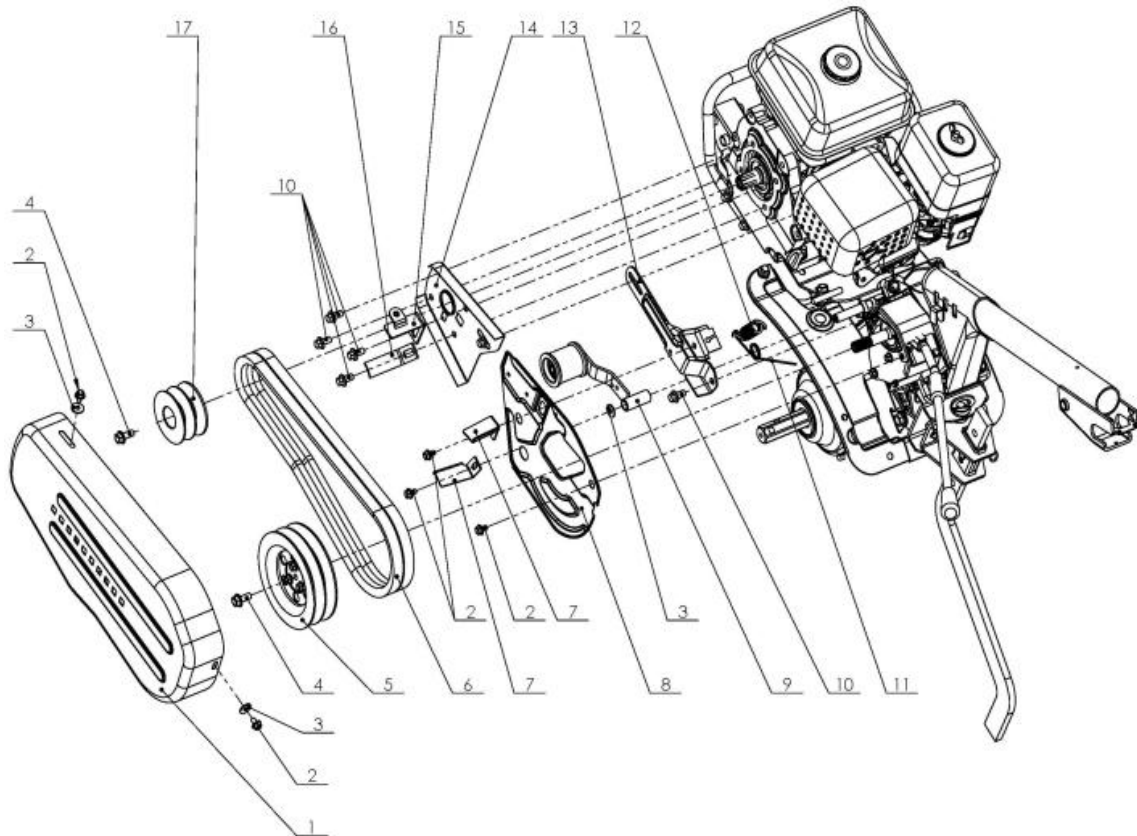
REF.NO.	PART NO	DESCRIPTION	Q'TY
1	W3201T0100000	Bumper	1
2	W3101T0100000	Engine Bracket	1
3	G900108040010	BoltM8×40	4
4	G900108065010	BoltM8×65	2
5	W2401T0100000	Tensioner Shaft	1
6	3037001013005	BoltM10×1.25×85	1
7	W5002T0100XXX	Inner Fender	1
8	G900410000011	Nut M10×1.25	1
9	W1000T0100000	Gearbox Assembly	1
10	G904208000010	Spring Washer 8	1
11	G900508000010	Nut M8	1
12	G9069G0101010	Sleeve 8×12×12	2
13	G900108025010	Bolt M8×25	2
14	G900408000011	Nut M8	2
15	G900408000011	Nut M8	4
16	G210MW00JS000	Engine	1
17	G900108016010	Bolt M8×16	4

3: ΟΔΗΓΟΣ ΒΑΘΟΥΣ



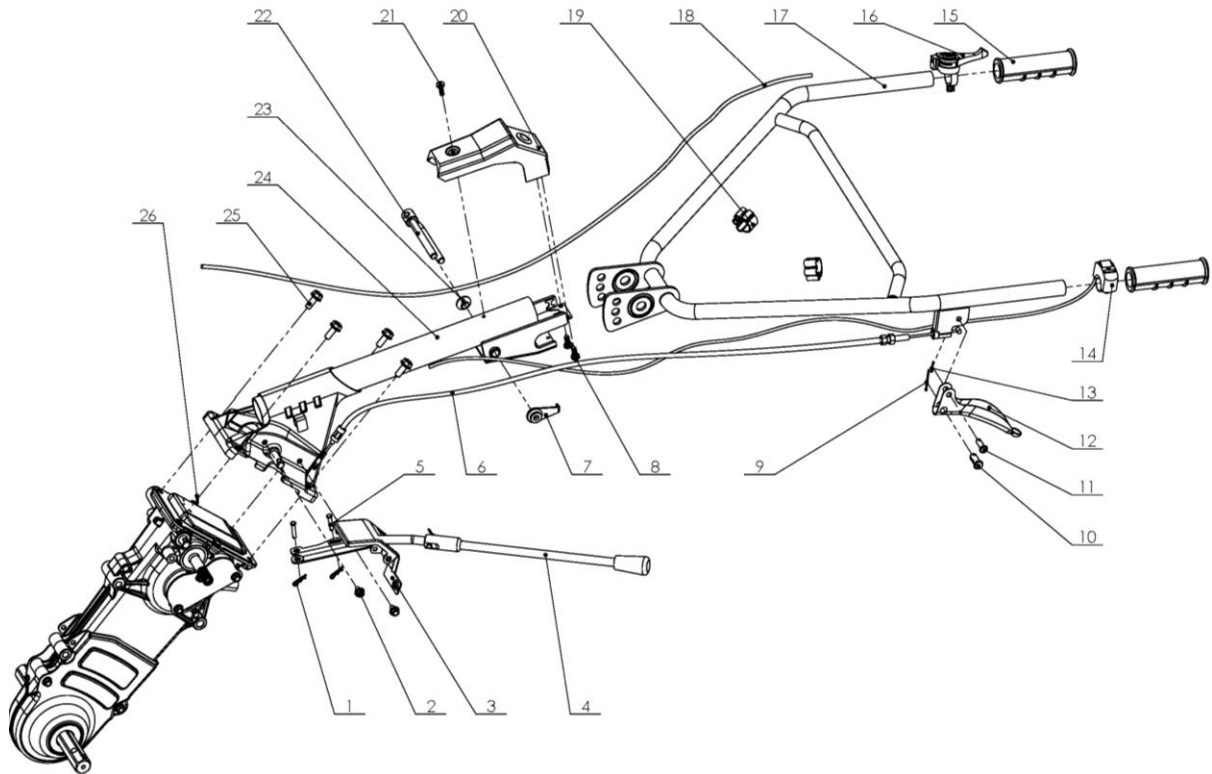
REF.NO.	PART NO	DESCRIPTION	Q'TY
1	3037001013005	Bolt M8x1.25x85	1
2	3037007008004	Pin Clip 3.2x60	1
3	3037007002016	Pin 8x40	1
4	W3003T0100000	Resistance Rod	1
5	G900408000011	Nut M8	2
6	3037007008003	Pin Clip 2x40	1
7	W3002T0100000	Connetion Frame	1
8	G900108035010	Bolt M8x35	2
9	G900108025010	Bolt M8x25	2
10	G904208000010	Spring Washer 8	2
11	G900410000011	Locknut M10x1.25	1
12	W3004T0000000	Large Pin 110	1
13	W3001T0100000	Dragging Comp	1
14	W1000T0100000	Gearbox Assembly	1

4: ΚΑΣΕΤΙΝΑ



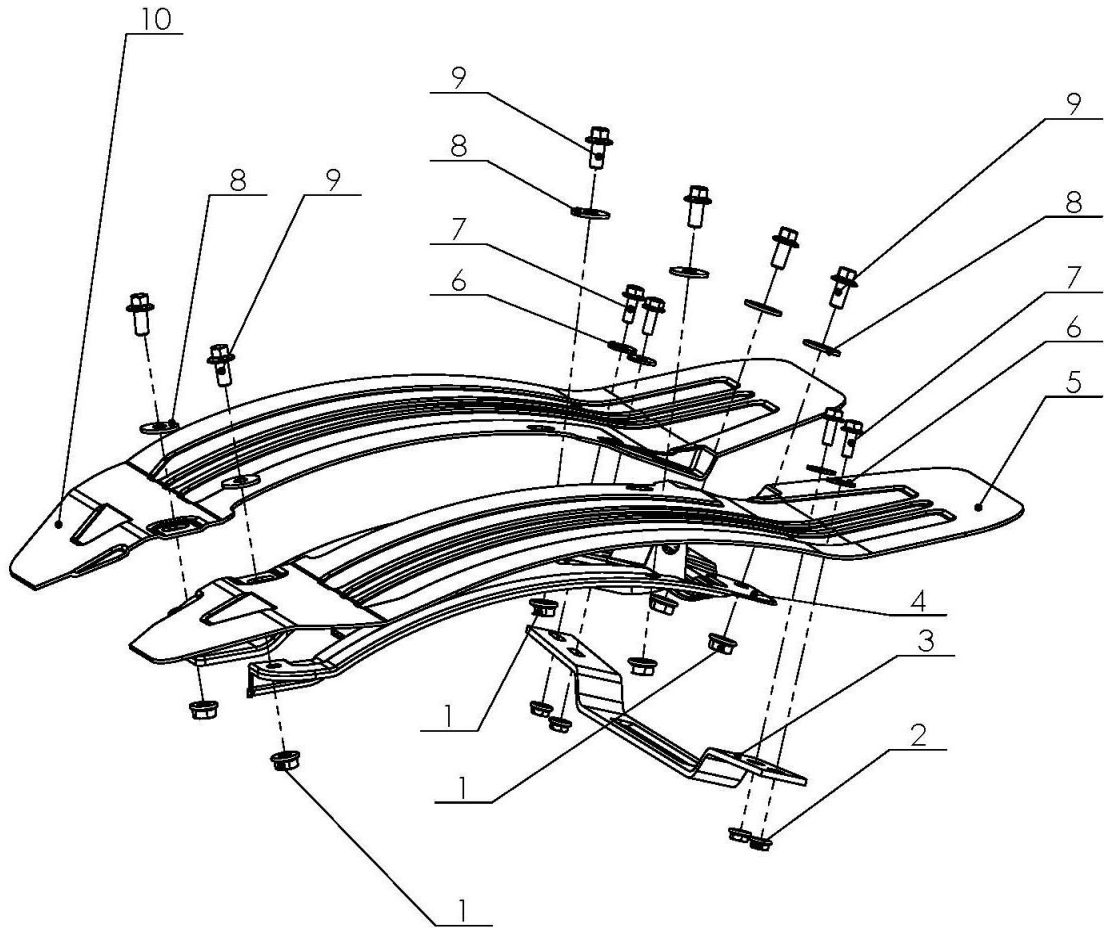
REF.NO.	PART NO	DESCRIPTION	Q'TY
1	W5301T0100XXX	Belt Cover	1
2	G900206012010	Bolt M6×12	5
3	3037005027001	Washer 6	3
4	G900108020010	Bolt M8×20	2
5	W2200T0000000	Driven Pulley 140	1
6	W2001T0000000	V-belt B-17*914Li-1	2
7	W5308T0000000	V-belt Guard D	2
8	W5304T0100000	Rear Base	1
9	W2400T0100000	Tensioner Assembly	1
10	G900108016010	Bolt M8×16	6
11	W2403T0000000	Torsion spring,Tensioner	1
12	W2402T0000000	Pull spring,Tensioner	1
13	W5302T0100000	Bracket,Tensioner	1
14	W5303T0100000	Front Base	1
15	W5305T0000000	V-belt Guard A	1
16	W5306T0000000	V-belt Guard B	1
17	W2101T0002000	Driving Pulley(tapered 76)	1

5: ΧΕΙΡΟΛΑΒΗ



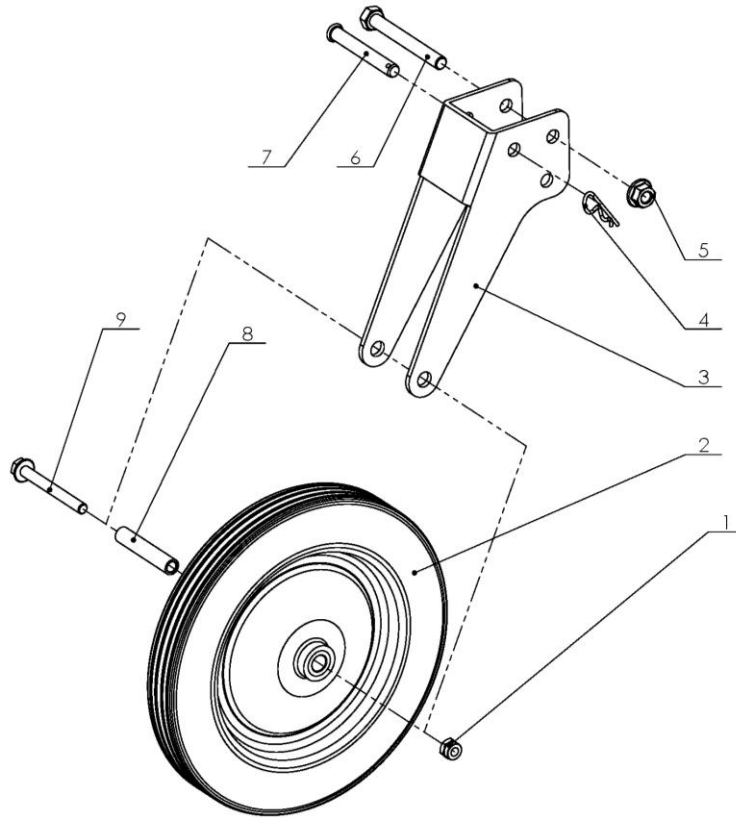
REF.NO.	PART NO	DESCRIPTION	Q'TY
1	3037007008002	Pinclip 1.6×28	2
2	3037001007023	Bolt M6×10	2
3	W4204T0100000	Shift Indicator	1
4	W4200T0101000	Gear Shifting Lever	1
5	3037007002013	Pin 5×25	2
6	W4402T0100000	Clutch Cable	1
7	W4003T0100000	Locking Bar Stop Block	1
8	G901648016010	Screw ST4.8×16.8×16	2
9	3037007003005	Cotter 2×30	1
10	3037011020001	Clutch Cable Joint	1
11	3037007002014	Pin 6.8×24	1
12	W4104T0000000	Clutch Handle	1
13	3037007003003	Cotter 1.6×12	1
14	W4405T0005000	On/Off Switch With Cable	1
15	W4504T0000000	Handle Grip Φ22	2
16	W4106T0003000	Throttle Switch Φ22	1
17	W4108T0100000	Control Handle	1
18	W4403T0007000	Throttle Cable	1
19	W4503T0000000	Cable Clip	2
20	W4506T0100000	Handle Cover(H type)	1
21	3037002006068	Screw M5×10	1
22	W4005T0100000	Locking Bar	1
23	W4001T0100000	Stop Block	1
24	W4008T0100000	Handle Base	1
25	G900108020010	Bolt M8×20	4
26	W1000T0100000	Gearbox Assembly	1

6: ΠΡΟΣΤΑΤΕΥΤΙΚΑ ΤΡΟΧΩΝ



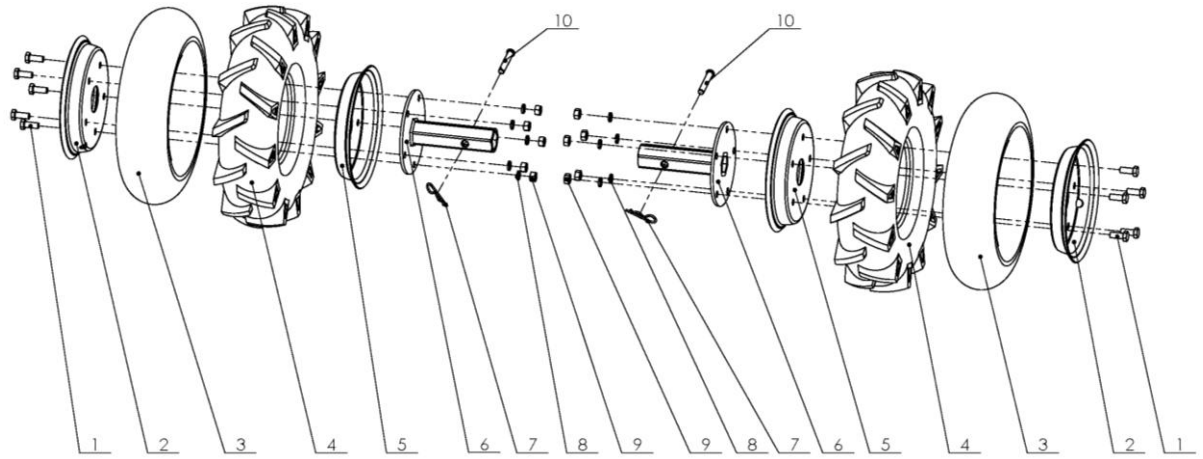
REF.NO.	PART NO	DESCRIPTION	Q'TY
1	G900408000011	Nut M8	6
2	G900406000010	Nut M6	4
3	W5201T0100000	Fender Rear Bracket	1
4	W5002T0100XXX	Inner Fender	1
5	W5003T0100XXX	Left Fender	1
6	3037005027001	Washer 6	4
7	G900206016010	Bolt M6×16	4
8	3037005027002	Washer 8	6
9	G900108016010	Bolt M8×16	6
10	W5004T0100XXX	Right Fender	1

7: ΤΡΟΧΟΣ ΜΕΤΑΦΟΡΑΣ



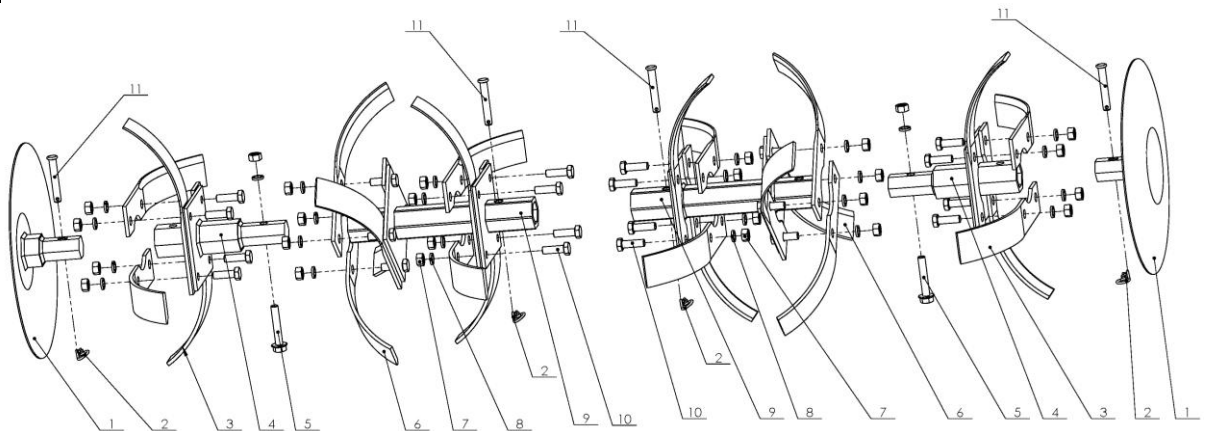
REF.NO.	PART NO	DESCRIPTION	Q'TY
1	3037004007006	Locknut M8	1
2	W3401T0101000	Front Wheel	1
3	W3402T0100000	Front wheel Bracket	1
4	3037007008003	Pin Clip 2x40	1
5	G900410000011	Locknut M10x1.25	1
6	3037001013004	Bolt M10x1.25x75	1
7	3037007002020	Pin 10x75	1
8	3037011013015	Front Wheel Shaft Sleeve	1
9	3037001008052	Bolt M8x75	1

8: 3.5-6 ΤΡΟΧΟΣ



REF.NO.	PART NO	DESCRIPTION	Q'TY
1	G900108020010	Bolt M8×20	10
2	W6004T0000XXX	3.5-06 Outer Rim	2
3	W6002T0000000	3.5-06 Tyre Tube	2
4	W6001T0000000	3.5-06 Tyre	2
5	W6003T0000XXX	3.5-06 Inner Rim	2
6	W6005T0000000	Wheel Shaft ϕ 23×120	2
7	3037007008003	Pin Clip 2×40	2
8	G904208000010	Spring Washer 8	10
9	G900508000010	Nut M8	10
10	3037007002017	Pin 8×50	2

9: ΜΑΧΑΙΡΙΑ



REF.NO.	PART NO	DESCRIPTION	Q'TY
1	W7901T0000000	Side Disk ϕ 23	2
2	3037007008003	Pin Clip 2×40	4
3	W7703T0000000	Right Dryland Blade	12
4	W7501T0000000	Vice Blade Shaft	2
5	G900108040010	Bolt M8×40	2
6	W7603T0000000	Left Dryland Blade	12
7	G900508000010	Nut M8	26
8	G904208000010	Spring Washer 8	26
9	W7302T0001000	Main Blade Shaft	2
10	3037001003127	Bolt M8×25	24
11	3037007002017	Pin 8×50	4