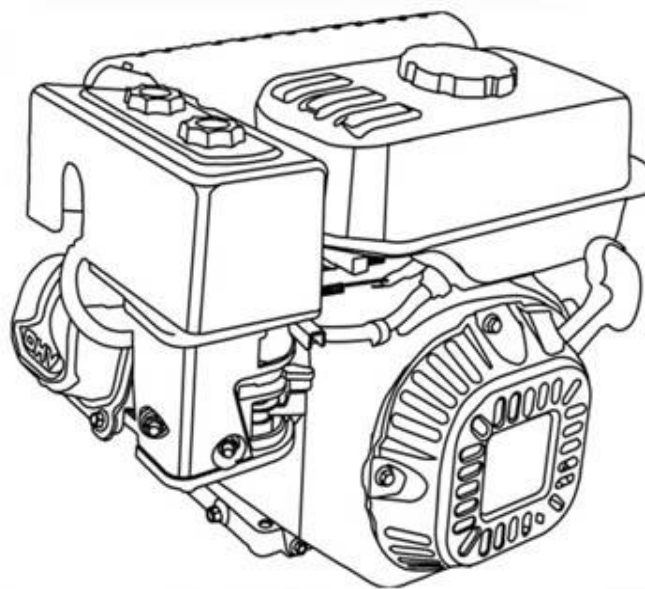




汽油机零部件图册
DRAWING OF ENGINE

LC170F



隆鑫工业有限公司
LONCIN INDUSTRIAL CO., LTD

(Note vulnerable properties: Refers to the degree of wear and tear in the day-to-day operation of the correct use of this part which according to guide customers reasonable reserves. A for wear and tear easily, B for wear and tear is not easy while C for wear and tear on behalf of the non-basic. The part of A proposal by the highest parts inventory reserves; B for stocking pieces according to the minimum reserves and C try not to make reserves for)

机型	LC170F	J8345	T150-00087-003-053
----	--------	-------	--------------------

气缸头 (CYLINDER HEAD)

序号	零部件件号	Description	数量	单位	易损属性
No.	Part No.		Reqd. QTY	UNIT	CONSUMABLE GRADE
1	120080333-0001	HEAD COMP ., CYLINDER	1	件/PIECES	B
2	380600117-0001	PIN , DOWEL	2	件/PIECES	C
4	380140336-0001	BOLT , FLANGE	4	件/PIECES	C
5	120150107-0001	GASKET , CYLINDER	1	件/PIECES	A
6	120250013-0001	PACKING , HEAD COVER	1	件/PIECES	A
7	270960014-0002	PLUG , SPARK	1	件/PIECES	A
8	380140215-0003	BOLT , FLANGE	4	件/PIECES	C
9	120220022-0001	COVER COMP ., HEAD	1	件/PIECES	C
10	380180089-0001	BOLT , STUD , IN.	2	件/PIECES	C
11	380180098-0001	BOLT , STUD , EX.	2	件/PIECES	C

曲轴箱体 (CRANK CASE)

序号	零部件件号	Description	数量	单位	易损属性
No.	Part No.		Reqd. QTY	UNIT	CONSUMABLE GRADE
1	110810077-0001	CRANK CASE	1	件/PIECES	B
4	380650334-0001	OIL SEAL	1	件/PIECES	A

5	171750001-0001	GOVERNOR ASSY.	1	套/SETS	B
7	380450531-0001	WASHER	1	件/PIECES	C
8	171630001-0001	SHAFT , GOVERNOR ARM	1	件/PIECES	B
9	110260025-0001	BOLT , DRAIN PLUG	2	件/PIECES	C
10	381350004-0001	PIN , LOCK	1	件/PIECES	B
11	380450514-0001	WASHER , DRAIN PLUG	2	件/PIECES	C
13	380630137-0002	BEARING , RADIAL BALL	1	件/PIECES	B

曲轴箱盖 (CRANK CASE COVER)

序号	零部件件号	Description	数量	单位	易损属性
No.	Part No.		Reqd. QTY	UNIT	CONSUMABLE GRADE
1	380140028-0004	BOLT , FLANGE	6	件/PIECES	C
2	110690035-0001	CAP ASSY.	2	套/SETS	B
4	110820028-0001	CASE COVER	1	件/PIECES	C
5	380650334-0001	OIL SEAL	1	件/PIECES	A
6	380630137-0002	BEARING	1	件/PIECES	B
7	380600120-0001	PIN , DOWEL	2	件/PIECES	C
8	110830030-0001	PACKING , CASE COVER	1	件/PIECES	A

曲轴/活塞 (CRANKSHAFT/PISTON)

序号	零部件件号	Description	数量	单位	易损属性
No.	Part No.		Reqd. QTY	UNIT	CONSUMABLE GRADE
1	130070142-0001	RING SET	1	套/SETS	A
2	130030160-0001	PISTON	1	件/PIECES	A
3	380560056-0001	CLIP , PISTON PIN	2	件/PIECES	B
4	130150054-0001	ROD ASSY ., CONNECTING	1	套/SETS	B
5	130060031-0001	PIN , PISTON	1	件/PIECES	B

6	130180001-0001	CONNECTING ROD BOLT	2	件/PIECES	C
7	380620050-0001	KEY	1	件/PIECES	B
8	130290178-0001	CRANKSHAFT COMP	1	套/SETS	B
9	380620031-0001	KEY	1	件/PIECES	B
10	380900062-0001	HOOP STRIP	1	件/PIECES	A

配气系统 (GAS DISTRIBUTION ADJUSTMENT)

序号	零部件件号	Description	数量	单位	易损属性
No.	Part No.		Reqd. QTY	UNIT	CONSUMABLE GRADE
1	140470001-0001	NUT , PIVOT ADJUSTING	2	件/PIECES	B
2	140490012-0001	PIVOT , ROCKER ARM	2	件/PIECES	B
3	140460030-0001	ARM , VALVE ROCKER	2	件/PIECES	B
4	140480012-0001	BOLT , PIVOT , ARM	2	件/PIECES	B
5	140710001-0001	PLATE , PUSH ROD GUIDE	1	件/PIECES	B
6	140670004-0001	ROD , PUSH	2	件/PIECES	B
7	140690003-0001	LIFTER , VALVE	2	件/PIECES	B
8	140320001-0001	RATATOR , VALVE	2	件/PIECES	B
9	140380017-0001	RETAINER , VALVE SPRING	2	件/PIECES	B
10	140340022-0001	SPRING , VALVE	2	件/PIECES	A
11	140400016-0001	SEAL , GUIDE	1	件/PIECES	A
12	500550041-0001	VALVE	1	套/SETS	B
13	140020076-0001	CAMSHAFT ASSY.	1	件/PIECES	B
14	140450022-0001	ARM ASSY.	2	套/SETS	B

起动机组件 (STARTER SUBASSEMBLY)

序号	零部件件号	Description	数量	单位	易损属性
----	-------	-------------	----	----	------

No.	Part No.	Description	Reqd. QTY	UNIT	CONSUMABLE GRADE
1	193500046-0001	STARTER ASSY.	1	套/SETS	B
2	380020103-0001	SCREW , SETTING	1	件/PIECES	C
3	193550010-0001	GUIDE , RATCHET	1	件/PIECES	C
4	381150411-0001	SPRING , FRICTION	1	件/PIECES	A
5	193540009-0001	RATCHET , STARTER	2	件/PIECES	C
6	381160144-0001	SPRING , RETURN	2	件/PIECES	A
7	193520009-0001	REEL , RECOIL STARTER	1	件/PIECES	B
8	193340032-0001	SPRING , RECOIL STARTER	1	件/PIECES	A
9	193640022-T150	COVER COMP ., FAN	1	件/PIECES	C
10	193530004-0001	ROPE	1	件/PIECES	A
11	193560004-0001	KNOB , RECOIL STARTER	1	件/PIECES	B
12	380140089-0003	BOLT , FLANGE	4	件/PIECES	C
13	160210042-0001	COVER COMP ., FAN	1	件/PIECES	C
14	271660053-0001	SWITCH ASSY., ENGINE STOP	1	件/PIECES	A
15	193490177-0001	RECOIL STARTER COMP.	1	套/SETS	B
16	380140001-0006	BOLT , FLANGE	4	件/PIECES	C

导风部件 (DIVERSION ASSY.)

序号	零部件件号	Description	数量	单位	易损属性
No.	Part No.		Reqd. QTY	UNIT	CONSUMABLE GRADE
1	380140089-0003	BOLT , FLANGE	2	件/PIECES	C
2	160190048-0001	SHROUD COMP	1	件/PIECES	C

化油器 (CARBURETOR)

序号	零部件件号	Description	数量	单位	易损属性
----	-------	-------------	----	----	------

No.	Part No.	DESCRIPTION	Reqd. QTY	UNIT	CONSUMABLE GRADE
1	170020584-0004	CARBURETOR	1	套/SETS	B
2	170160029-T150	CARBURETOR'S NOUMENON	1	件/PIECES	B
3	170280019-0001	FLOAT	1	件/PIECES	B
4	172920001-0001	LEVER ASSY., CHOKE	1	件/PIECES	B
5	170180050-0001	VALVE , FLOAT	1	件/PIECES	B
6	381150336-0001	SPRING , VALVE SET	1	件/PIECES	A
7	170290017-0001	PIN , FLOAT	1	件/PIECES	B
8	380840455-0001	GASKET , OIL CUP	1	件/PIECES	A
9	170250021-T150	OIL CUP	1	件/PIECES	C
10	380450577-0001	GASKET , DRAIN BOLT	1	件/PIECES	A
11	172930001-0001	BOLT , DRAIN	1	件/PIECES	C
12	380450539-0001	GASKET , OIL CUP BOLT	1	件/PIECES	A

化油器 (CARBURETOR)

序号	零部件件号	Description	数量	单位	易损属性
No.	Part No.		Reqd. QTY	UNIT	CONSUMABLE GRADE
13	380140353-0001	BOLT , OIL CUP	1	件/PIECES	C
14	170430048-0001	PACKING , CARBURETOR	1	件/PIECES	A
15	170430060-0001	PACKING. , CARBURETOR	1	件/PIECES	A
16	170440038-0001	INSULATOR, CARBURETOR	1	件/PIECES	B
17	170430065-0001	PACKING , CARBURETOR	1	件/PIECES	A

转子部件 (飞轮) / 点火线圈 (FLYWHEEL/COIL ASSY.)

序号	零部件件号	Description	数量	单位	易损属性
No.	Part No.		Reqd. QTY	UNIT	CONSUMABLE GRADE

1	270920162-0001	COIL ASSY . , IGNITION	1	套/SETS	A
2	270950040-0001	CAP ASSY . , NOISE SUPPRESSOR	1	件/PIECES	A
5	380140102-0004	BOLT , FLANGE	2	件/PIECES	C
6	270020139-0001	FLYWHEEL COMP	1	件/PIECES	B
8	160180023-0001	FAN , COOLING	1	件/PIECES	A
9	193590017-0001	PULLEY , STARTER	1	件/PIECES	C
10	380370051-0001	NUT , SPECIAL	1	件/PIECES	C
13	380930025-0001	LOCATION CABLE CLIP	1	件/PIECES	B

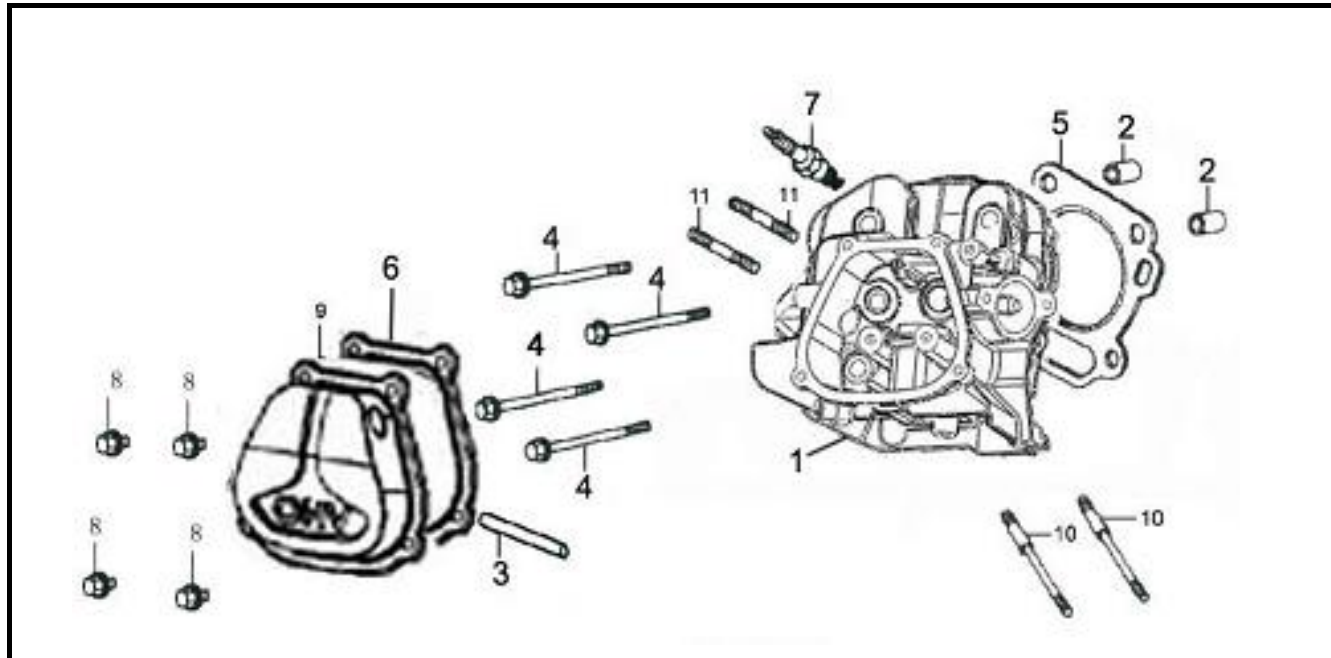
调速控制系统 (CONTROL SYSTEM)

序号	零部件件号	Description	数量	单位	易损属性
No.	Part No.		Reqd. QTY	UNIT	CONSUMABLE GRADE
2	171660001-0001	SPRING	1	件/PIECES	A
3	380200017-0005	SCREW	1	件/PIECES	C
4	380140011-0004	BOLT, FLANGE	2	件/PIECES	C
5	171710004-0001	HOLDER, CABLE	1	件/PIECES	C
6	380200010-0005	SCREW	1	件/PIECES	C
7	380200037-0003	SCREW	1	件/PIECES	C
8	171720001-0001	HOLDER, WIRE	1	件/PIECES	C
9	380570018-0001	CIRCLIP	1	件/PIECES	C
10	171600037-0001	SPRING, GOVERNOR	1	件/PIECES	A
11	380250002-0001	BOLT, QUADRATE HEAD	1	件/PIECES	C
12	380370048-0001	NUT, FLANGE	1	件/PIECES	C
13	171620001-0001	ARM, GOVERNOR	1	件/PIECES	B
14	171610002-0001	SPRING, THROTTLE RETURN	1	件/PIECES	A
15	171590004-0001	ROD, GOVERNOR	1	件/PIECES	B

16	171680011-0001	CONTROL ASSY.	1	套/SETS	B
空滤器 (AIR CLEANER)					
序号	零部件件号	Description	数量	单位	易损属性
No.	Part No.		Reqd. QTY	UNIT	CONSUMABLE GRADE
1	180280022-0001	ELBOW COMP., AIR CLEANER	1	件/PIECES	B
2	181950004-0001	HANDEL, AIR CLEANER BOLT.	1	件/PIECES	B
3	380840437-0001	PACKING , ELBOW	1	件/PIECES	A
4	180070133-0001	COVER , AIR CLEANER	1	件/PIECES	B
5	380440002-0001	NUT , TOOL BOX SETTING	1	件/PIECES	C
6	180100062-0001	ELEMENT ASSY. , AIR CLEANER	1	套/SETS	A
7	180330030-0001	NOSE , SILENCER	1	件/PIECES	B
8	380310015-0005	SCREW	2	件/PIECES	C
9	380370048-0001	NUT , FLANGE	2	件/PIECES	C
10	180020336-0001	AIR CLEANER ASSY	1	套/SETS	B
消音器 (MUFFLER)					
序号	零部件件号	Description	数量	单位	易损属性
No.	Part No.		Reqd. QTY	UNIT	CONSUMABLE GRADE
1	180690067-0001	MUFFLER COMP.	1	件/PIECES	C
2	180970028-0001	Inner Pipe ASSY, Muffler	1	件/PIECES	C
3	180570971-0001	MUFFLER	1	套/SETS	C
4	380140332-0001	BOLT, FLANGE	2	件/PIECES	C
5	380140004-0004	BOLT, FLANGE	1	件/PIECES	C
6	380370048-0001	NUT, FLANGE	2	件/PIECES	C
7	180650077-0001	GASKET, EX. PIPE	1	件/PIECES	A

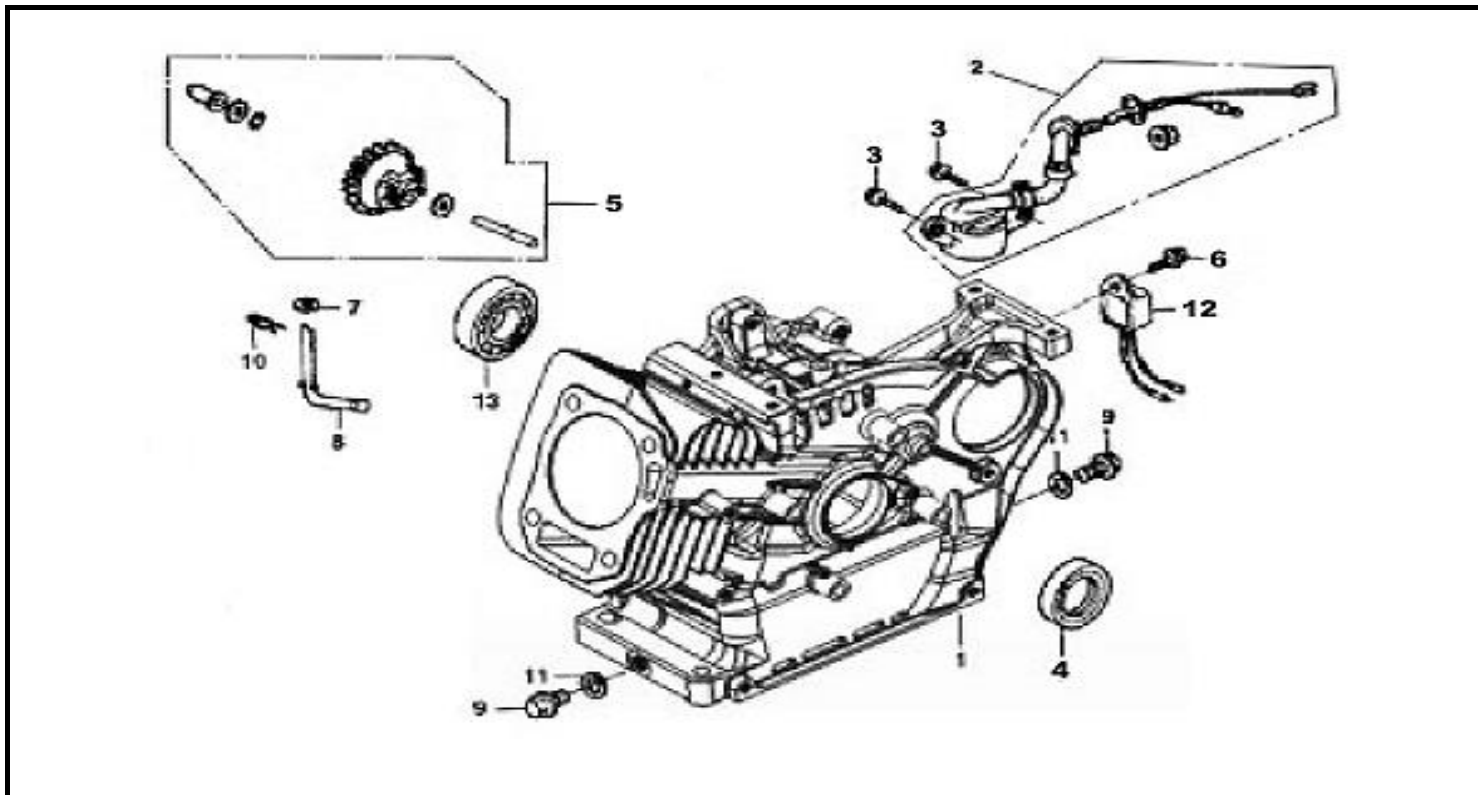
燃油箱 (FUEL TANK)

序号	零部件件号	Description	数量	单位	易损属性
No.	Part No.		Reqd. QTY	UNIT	CONSUMABLE GRADE
1	380950188-0001	CLIP , TUBE	2	件/PIECES	B
2	170660077-0001	JOINT ASSY. , FUEL TANK	1	套/SETS	A
3	170500641-0001 170660077-0001	TANK COMP ., FUEL	1	套/SETS	B
4	170870039-0001	CAP COMP ., FUEL FILLER	1	套/SETS	B
5	380140102-0004	BOLT , FLANGE	4	件/PIECES	C
6	170720003-0001	FILTER , FUEL	1	件/PIECES	A
7	380140001-0006	BOLT , FLANGE	4	件/PIECES	C
8	172840003-0001	HOLDER, FUEL TANK	1	件/PIECES	C
9	172840002-0001	HOLDER, FUEL TANK	1	件/PIECES	C
10	380750180-0001	TUBE , FUEL	1	件/PIECES	A



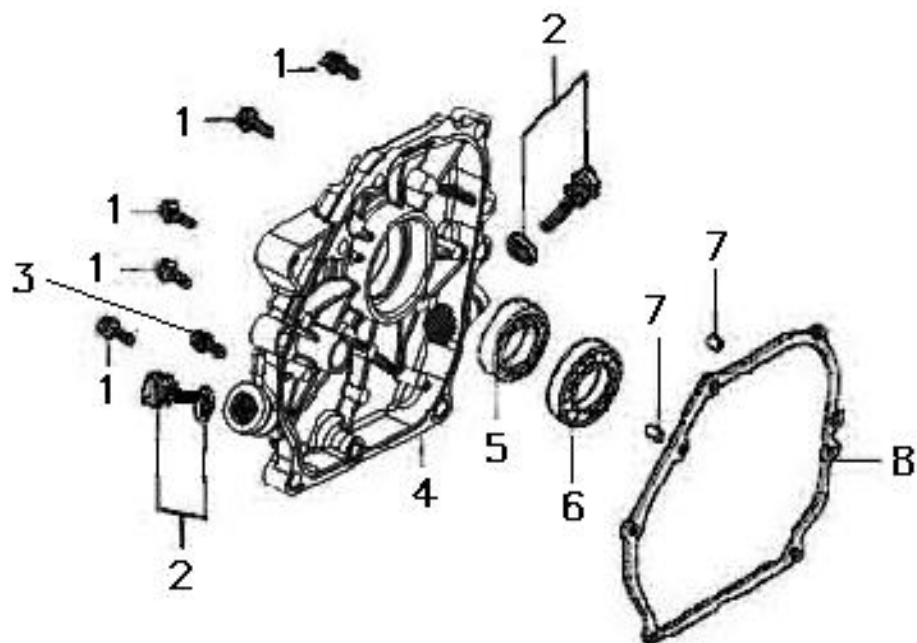
气缸头 (CYLINDER HEAD)

序号	零部件件号	Description	数量	单位	易损属性
No.	Part No.		Reqd. QTY	UNIT	CONSUMABLE GRADE
1	120080333-0001	HEAD COMP ., CYLINDER	1	件/PIECES	B
2	380600117-0001	PIN , DOWEL	2	件/PIECES	C
4	380140336-0001	BOLT , FLANGE	4	件/PIECES	C
5	120150107-0001	GASKET , CYLINDER	1	件/PIECES	A
6	120250013-0001	PACKING , HEAD COVER	1	件/PIECES	A
7	270960014-0002	PLUG , SPARK	1	件/PIECES	A
8	380140215-0003	BOLT , FLANGE	4	件/PIECES	C
9	120220022-0001	COVER COMP ., HEAD	1	件/PIECES	C
10	380180089-0001	BOLT , STUD , IN.	2	件/PIECES	C
11	380180098-0001	BOLT , STUD , EX.	2	件/PIECES	C



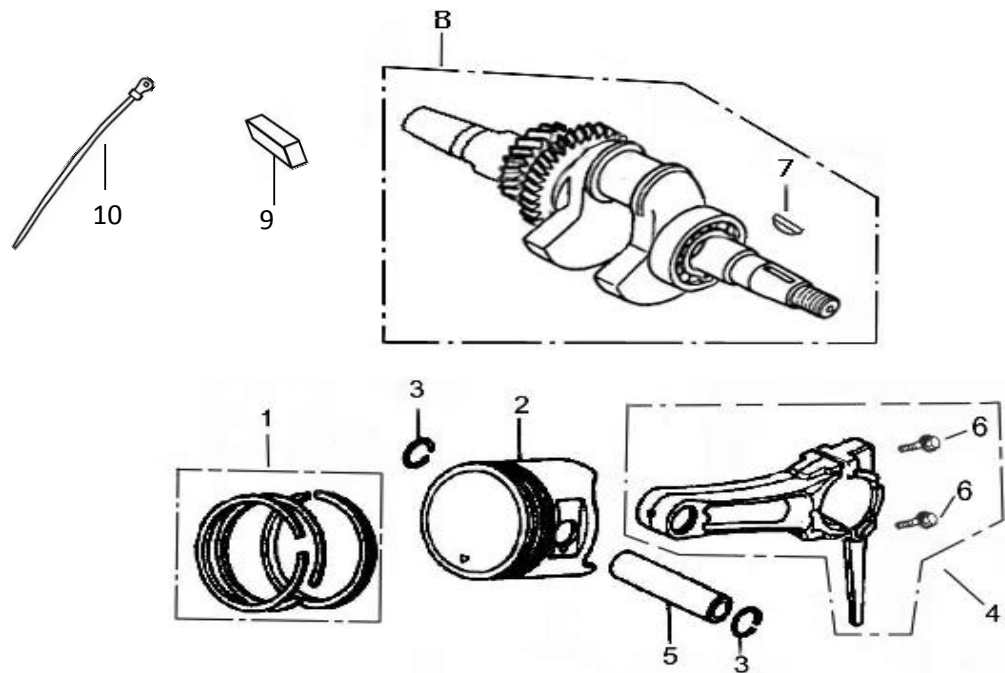
曲轴箱体 (CRANK CASE)

序号	零部件件号	Description	数量	单位	易损属性
No.	Part No.		Reqd. QTY	UNIT	CONSUMABLE GRADE
1	110810077-0001	CRANK CASE	1	件/PIECES	B
4	380650334-0001	OIL SEAL	1	件/PIECES	A
5	171750001-0001	GOVERNOR ASSY.	1	套/SETS	B
7	380450531-0001	WASHER	1	件/PIECES	C
8	171630001-0001	SHAFT , GOVERNOR ARM	1	件/PIECES	B
9	110260025-0001	BOLT , DRAIN PLUG	2	件/PIECES	C
10	381350004-0001	PIN , LOCK	1	件/PIECES	B
11	380450514-0001	WASHER , DRAIN PLUG	2	件/PIECES	C
13	380630137-0002	BEARING , RADIAL BALL	1	件/PIECES	B



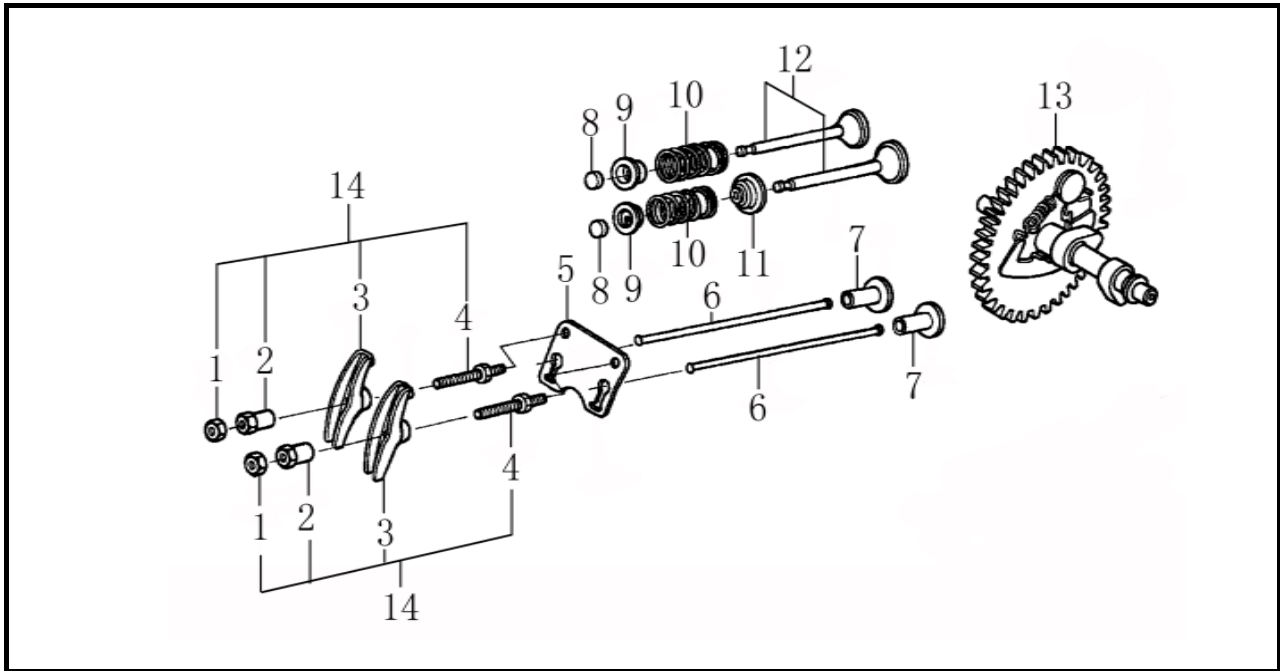
曲轴箱盖 (CRANK CASE COVER)

序号	零部件件号	Description	数量	单位	易损属性
No.	Part No.		Reqd. QTY	UNIT	CONSUMABLE GRADE
1	380140028-0004	BOLT , FLANGE	6	件/PIECES	C
2	110690035-0001	CAP ASSY.	2	套/SETS	B
4	110820028-0001	CASE COVER	1	件/PIECES	C
5	380650334-0001	OIL SEAL	1	件/PIECES	A
6	380630137-0002	BEARING	1	件/PIECES	B
7	380600120-0001	PIN , DOWEL	2	件/PIECES	C
8	110830030-0001	PACKING , CASE COVER	1	件/PIECES	A



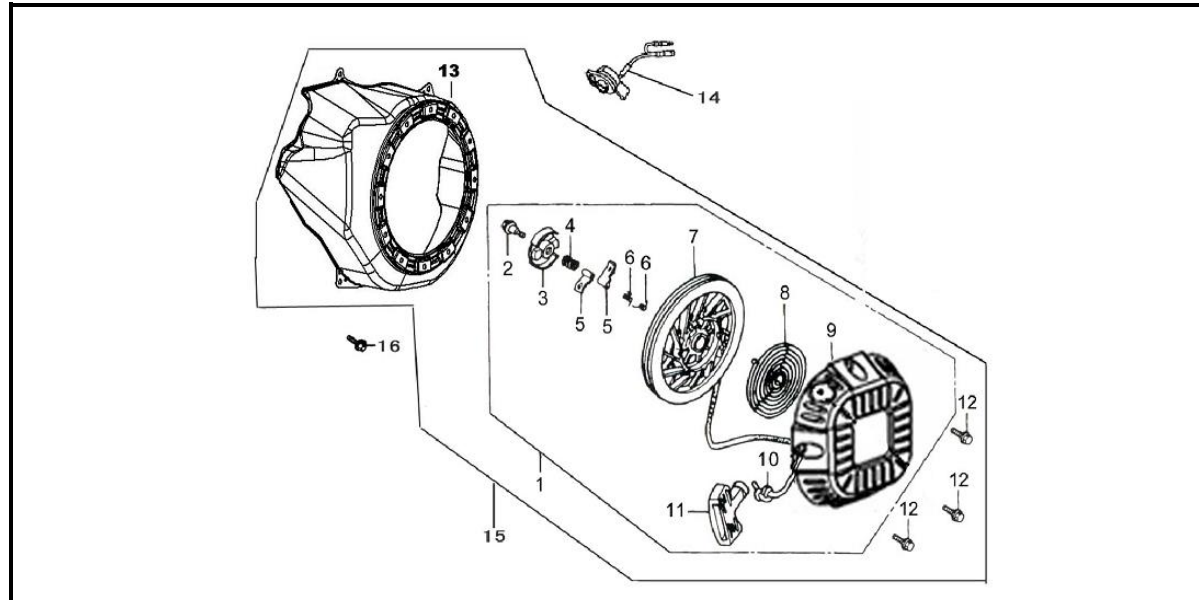
曲轴/活塞 (CRANKSHAFT/PISTON)

序号	零部件件号	Description	数量	单位	易损属性
No.	Part No.		Reqd. QTY	UNIT	CONSUMABLE GRADE
1	130070142-0001	RING SET	1	套/SETS	A
2	130030160-0001	PISTON	1	件/PIECES	A
3	380560056-0001	CLIP , PISTON PIN	2	件/PIECES	B
4	130150054-0001	ROD ASSY ., CONNECTING	1	套/SETS	B
5	130060031-0001	PIN , PISTON	1	件/PIECES	B
6	130180001-0001	CONNECTING ROD BOLT	2	件/PIECES	C
7	380620050-0001	KEY	1	件/PIECES	B
8	130290178-0001	CRANKSHAFT COMP	1	套/SETS	B
9	380620031-0001	KEY	1	件/PIECES	B
10	380900062-0001	HOOP STRIP	1	件/PIECES	A



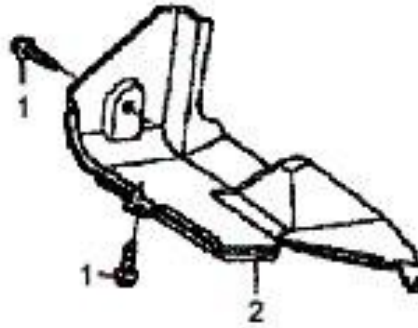
配气系统(GAS DISTRIBUTION ADJUSTMENT)

序号	零部件件号	Description	数量	单位	易损属性
No.	Part No.		Reqd. QTY	UNIT	CONSUMABLE GRADE
1	140470001-0001	NUT , PIVOT ADJUSTING	2	件/PIECES	B
2	140490012-0001	PIVOT , ROCKER ARM	2	件/PIECES	B
3	140460030-0001	ARM , VALVE ROCKER	2	件/PIECES	B
4	140480012-0001	BOLT , PIVOT , ARM	2	件/PIECES	B
5	140710001-0001	PLATE , PUSH ROD GUIDE	1	件/PIECES	B
6	140670004-0001	ROD , PUSH	2	件/PIECES	B
7	140690003-0001	LIFTER , VALVE	2	件/PIECES	B
8	140320001-0001	RATATOR , VALVE	2	件/PIECES	B
9	140380017-0001	RETAINER , VALVE SPRING	2	件/PIECES	B
10	140340022-0001	SPRING , VALVE	2	件/PIECES	A
11	140400016-0001	SEAL , GUIDE	1	件/PIECES	A
12	500550041-0001	VALVE	1	套/SETS	B
13	140020076-0001	CAMSHAFT ASSY.	1	件/PIECES	B
14	140450022-0001	ARM ASSY.	2	套/SETS	B



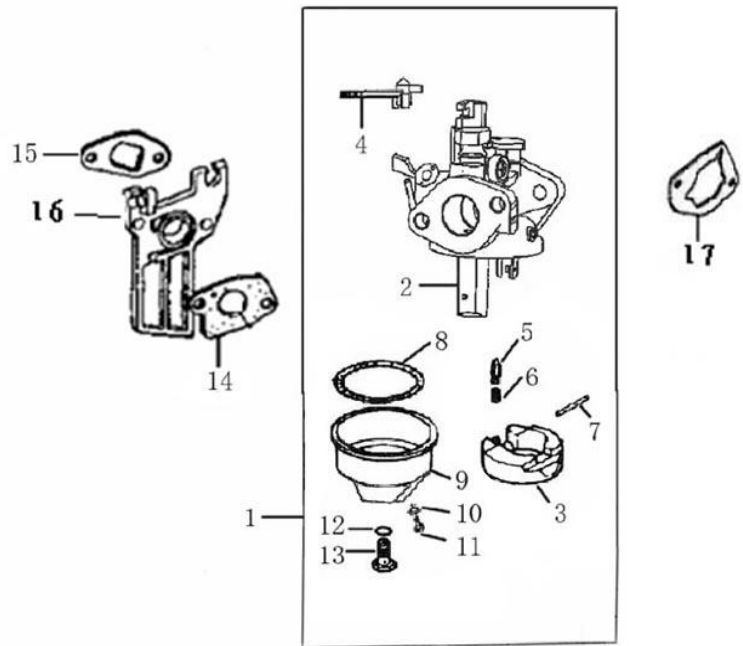
起动机组件 (STARTER SUBASSEMBLY)

序号	零部件件号	Description	数量	单位	易损属性
No.	Part No.		Reqd. QTY	UNIT	CONSUMABLE GRADE
1	193500046-0001	STARTER ASSY.	1	套/SETS	B
2	380020103-0001	SCREW , SETTING	1	件/PIECES	C
3	193550010-0001	GUIDE , RATCHET	1	件/PIECES	C
4	381150411-0001	SPRING , FRICTION	1	件/PIECES	A
5	193540009-0001	RATCHET , STARTER	2	件/PIECES	C
6	381160144-0001	SPRING , RETURN	2	件/PIECES	A
7	193520009-0001	REEL , RECOIL STARTER	1	件/PIECES	B
8	193340032-0001	SPRING , RECOIL STARTER	1	件/PIECES	A
9	193640022-T150	COVER COMP ., FAN	1	件/PIECES	C
10	193530004-0001	ROPE	1	件/PIECES	A
11	193560004-0001	KNOB , RECOIL STARTER	1	件/PIECES	B
12	380140089-0003	BOLT , FLANGE	4	件/PIECES	C
13	160210042-0001	COVER COMP ., FAN	1	件/PIECES	C
14	271660053-0001	SWITCH ASSY. , ENGINE STOP	1	件/PIECES	A
15	193490177-0001	RECOIL STARTER COMP.	1	套/SETS	B
16	380140001-0006	BOLT , FLANGE	4	件/PIECES	C



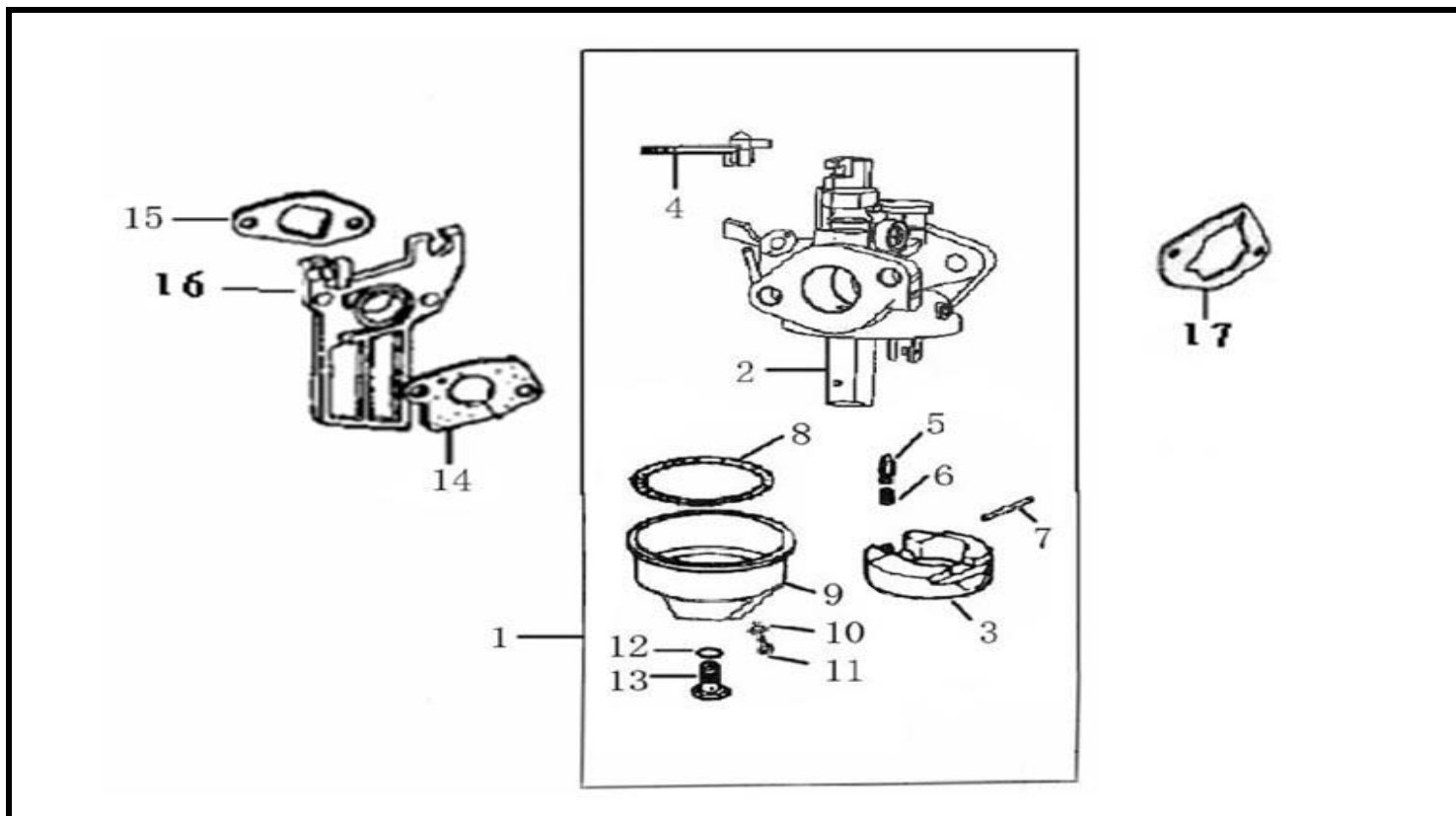
导风部件 (DIVERSION ASSY.)

序号	零部件件号	Description	数量	单位	易损属性
No.	Part No.		Reqd. QTY	UNIT	CONSUMABLE GRADE
1	380140089-0003	BOLT , FLANGE	2	件/PIECES	C
2	160190048-0001	SHROUD COMP	1	件/PIECES	C



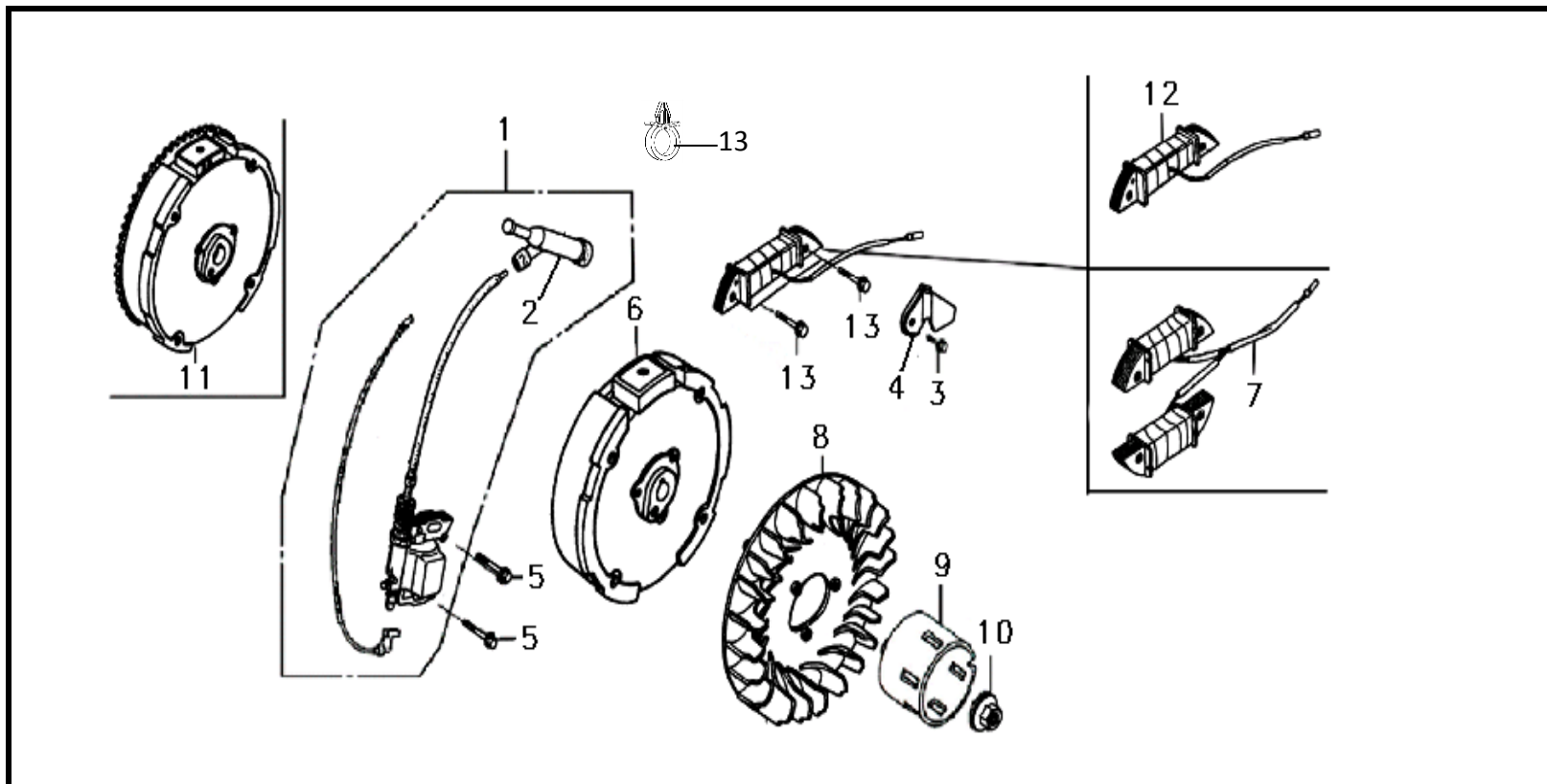
化油器 (CARBURETOR)

序号	零部件件号	Description	数量	单位	易损属性
No.	Part No.		Reqd. QTY	UNIT	CONSUMABLE GRADE
1	170020584-0004	CARBURETOR	1	套/SETS	B
2	170160029-T150	CARBURETOR' S NOUMENON	1	件/PIECES	B
3	170280019-0001	FLOAT	1	件/PIECES	B
4	172920001-0001	LEVER ASSY., CHOKE	1	件/PIECES	B
5	170180050-0001	VALVE , FLOAT	1	件/PIECES	B
6	381150336-0001	SPRING , VALVE SET	1	件/PIECES	A
7	170290017-0001	PIN , FLOAT	1	件/PIECES	B
8	380840455-0001	GASKET , OIL CUP	1	件/PIECES	A
9	170250021-T150	OIL CUP	1	件/PIECES	C
10	380450577-0001	GASKET , DRAIN BOLT	1	件/PIECES	A
11	172930001-0001	BOLT , DRAIN	1	件/PIECES	C
12	380450539-0001	GASKET , OIL CUP BOLT	1	件/PIECES	A



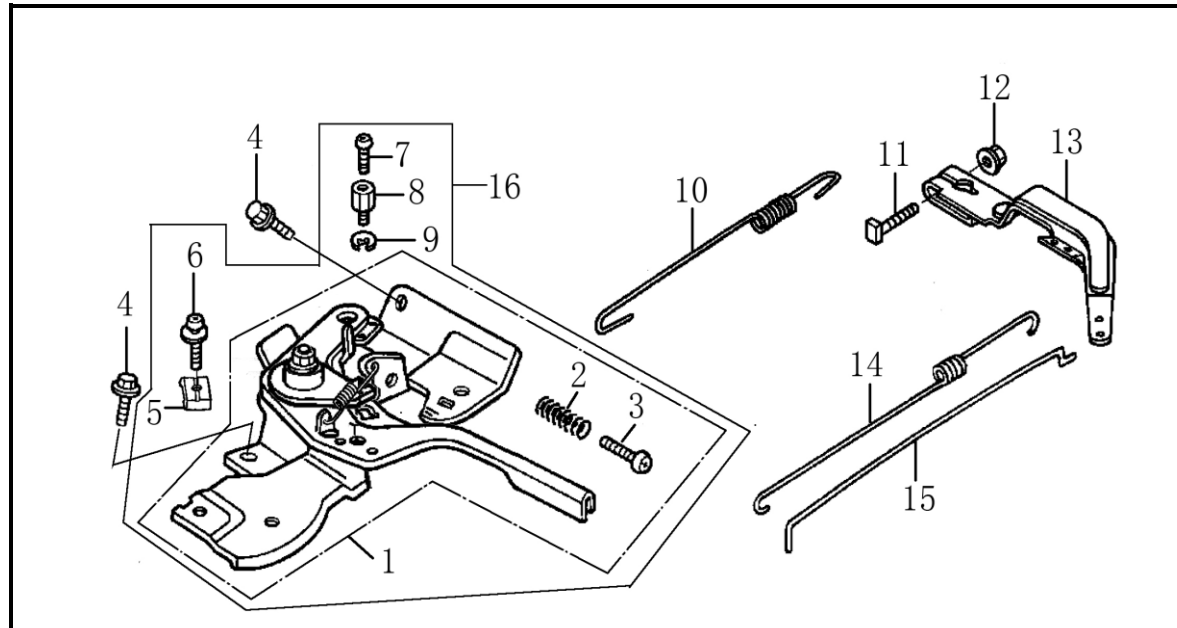
化油器 (CARBURETOR)

序号	零部件件号	Description	数量	单位	易损属性
No.	Part No.		Reqd. QTY	UNIT	CONSUMABLE GRADE
13	380140353-0001	BOLT , OIL CUP	1	件/PIECES	C
14	170430048-0001	PACKING , CARBURETOR	1	件/PIECES	A
15	170430060-0001	PACKING. , CARBURETOR	1	件/PIECES	A
16	170440038-0001	INSULATOR, CARBURETOR	1	件/PIECES	B
17	170430065-0001	PACKING , CARBURETOR	1	件/PIECES	A



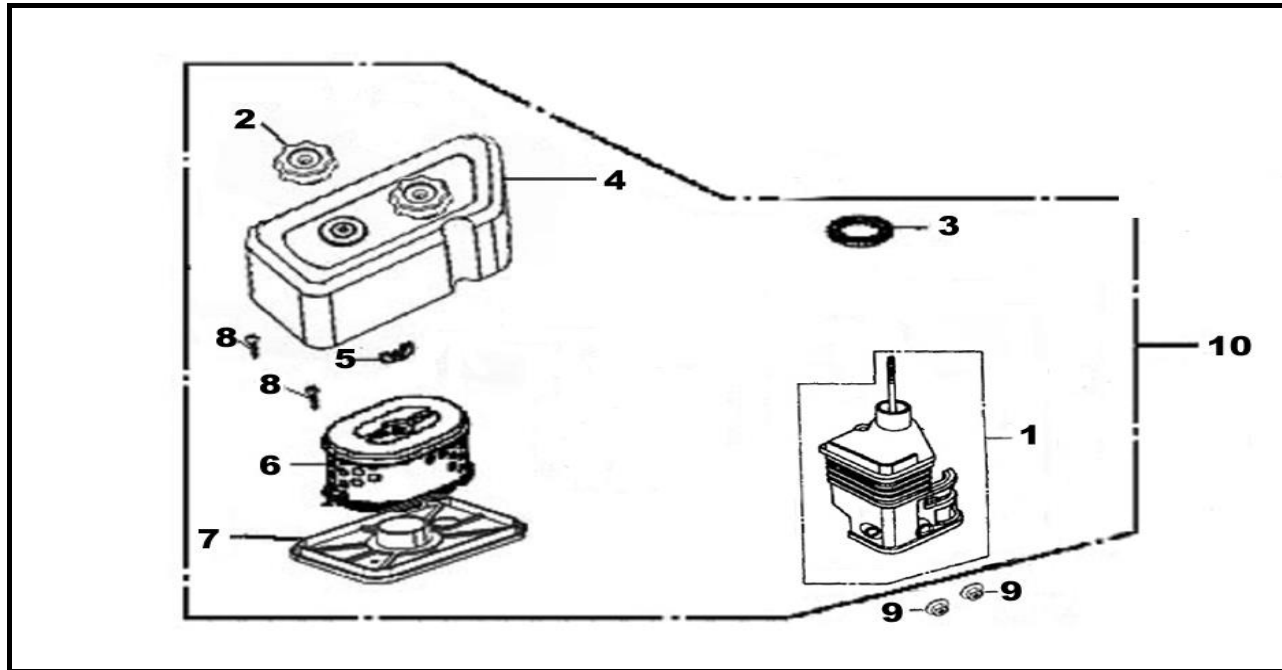
转子部件（飞轮）/点火线圈（FLYWHEEL/COIL ASSY.）

序号	零部件件号	Description	数量	单位	易损属性
No.	Part No.		Reqd. QTY	UNIT	CONSUMABLE GRADE
1	270920162-0001	COIL ASSY . , IGNITION	1	套/SETS	A
2	270950040-0001	CAP ASSY . , NOISE SUPPRESSOR	1	件/PIECES	A
5	380140102-0004	BOLT , FLANGE	2	件/PIECES	C
6	270020139-0001	FLYWHEEL COMP	1	件/PIECES	B
8	160180023-0001	FAN , COOLING	1	件/PIECES	A
9	193590017-0001	PULLEY , STARTER	1	件/PIECES	C
10	380370051-0001	NUT , SPECIAL	1	件/PIECES	C
13	380930025-0001	LOCATION CABLE CLIP	1	件/PIECES	B



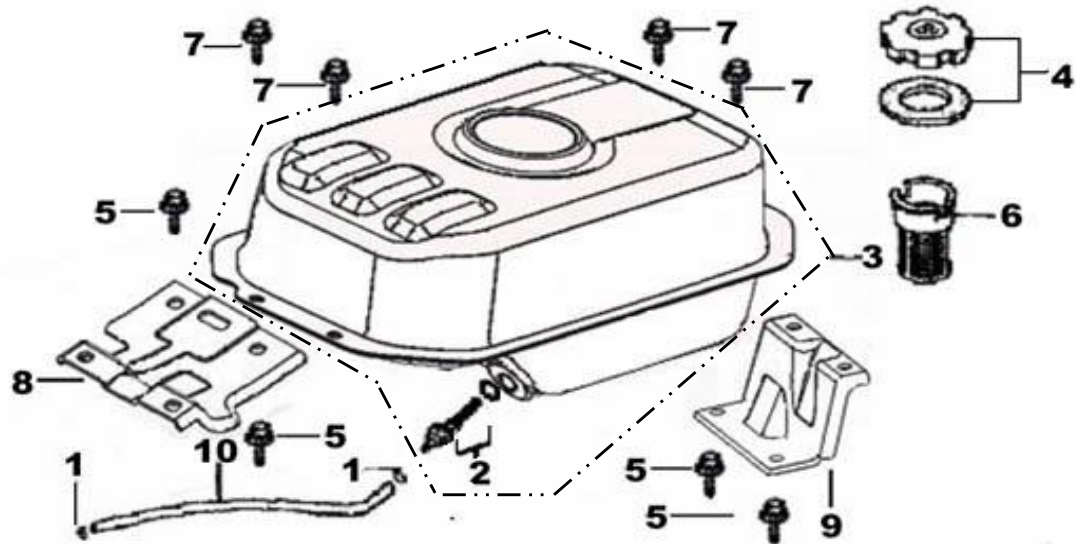
调速控制系统 (CONTROL SYSTEM)

序号	零部件件号	Description	数量	单位	易损属性
No.	Part No.		Reqd. QTY	UNIT	CONSUMABLE GRADE
2	171660001-0001	SPRING	1	件/PIECES	A
3	380200017-0005	SCREW	1	件/PIECES	C
4	380140011-0004	BOLT, FLANGE	2	件/PIECES	C
5	171710004-0001	HOLDER, CABLE	1	件/PIECES	C
6	380200010-0005	SCREW	1	件/PIECES	C
7	380200037-0003	SCREW	1	件/PIECES	C
8	171720001-0001	HOLDER, WIRE	1	件/PIECES	C
9	380570018-0001	CIRCLIP	1	件/PIECES	C
10	171600037-0001	SPRING, GOVERNOR	1	件/PIECES	A
11	380250002-0001	BOLT, QUADRATE HEAD	1	件/PIECES	C
12	380370048-0001	NUT, FLANGE	1	件/PIECES	C
13	171620001-0001	ARM, GOVERNOR	1	件/PIECES	B
14	171610002-0001	SPRING, THROTTLE RETURN	1	件/PIECES	A
15	171590004-0001	ROD, GOVERNOR	1	件/PIECES	B
16	171680011-0001	CONTROL ASSY.	1	套/SETS	B



空滤器 (AIR CLEANER)

序号	零部件件号	Description	数量	单位	易损属性
No.	Part No.		Reqd. QTY	UNIT	CONSUMABLE GRADE
1	180280022-0001	ELBOW COMP., AIR CLEANER	1	件/PIECES	B
2	181950004-0001	HANDEL, AIR CLEANER BOLT.	1	件/PIECES	B
3	380840437-0001	PACKING , ELBOW	1	件/PIECES	A
4	180070133-0001	COVER , AIR CLEANER	1	件/PIECES	B
5	380440002-0001	NUT , TOOL BOX SETTING	1	件/PIECES	C
6	180100062-0001	ELEMENT ASSY. , AIR CLEANER	1	套/SETS	A
7	180330030-0001	NOSE , SILENCER	1	件/PIECES	B
8	380310015-0005	SCREW	2	件/PIECES	C
9	380370048-0001	NUT , FLANGE	2	件/PIECES	C
10	180020336-0001	AIR CLEANER ASSY	1	套/SETS	B



燃油箱 (FUEL TANK)

序号	零部件件号	Description	数量	单位	易损属性
No.	Part No.		Reqd. QTY	UNIT	CONSUMABLE GRADE
1	380950188-0001	CLIP , TUBE	2	件/PIECES	B
2	170660077-0001	JOINT ASSY. , FUEL TANK	1	套/SETS	A
3	170500641-0001 170660077-0001	TANK COMP ., FUEL	1	套/SETS	B
4	170870039-0001	CAP COMP ., FUEL FILLER	1	套/SETS	B
5	380140102-0004	BOLT , FLANGE	4	件/PIECES	C
6	170720003-0001	FILTER , FUEL	1	件/PIECES	A
7	380140001-0006	BOLT , FLANGE	4	件/PIECES	C
8	172840003-0001	HOLDER, FUEL TANK	1	件/PIECES	C
9	172840002-0001	HOLDER, FUEL TANK	1	件/PIECES	C
10	380750180-0001	TUBE , FUEL	1	件/PIECES	A