

(Note vulnerable properties: Refers to the degree of wear and tear in the day-to-day operation of the correct use of this part which according to guide customers reasonable reserves.A for wear and tear easily, B for wear and tear is not easy while C for wear and tear on behalf of the non-basic.The part of A proposal by the highest parts inventory reserves; B for stocking pieces according to the minimum reserves and C try not to make reserves for)

Model:LC175F-2

LC/LT-2025-A

(CYLINDER HEAD)

No.	Part No.	Description	Reqd. QTY	CONSUMABLE GRADE
1	380140013-0005	Hexagon bolt with flange	4	C
2	120230138-0001	Cylinder head cover assy	1	C
3	380741168-0001	Breather tube	1	A
4	150290027-0001	Engine oil Strainer	1	A
5	110850026-0001	PACKING, BREATHER CHAMBER	1	A
6	110840034-0001	CAP,BREATHER CHAMBER	1	C
7	380140429-0001	Hexagon bolt with flange	2	C
8	120250057-0001	Gasket for cylinder head cover	1	A
9	270960014-0001	Spark plug	1	A
10	380140454-0002	Hexagon bolt with flange	4	C
11	380180098-0001	Stud	2	C
12	120080636-0001	Cylinder end	1	B
13	380180093-0001	Stud	2	C
14	120150216-0001	Gasket for cylinder head	1	A
15	380600116-0001	ocation pin	2	C

曲轴箱体(CRANK CASE)

No.	Part No.	Description	Reqd. QTY	CONSUMABLE GRADE
1	110810329-0001	Crankcase body	1	B
2	380650347-0001	Oil seal	1	B
3	110260025-0001	Sealing plug screw	2	C
4	380450514-0001	Flat washer	2	C
5	270280025-0001	Tension disc for wire bundle	1	C
6	380940346-0003	Cable cleat	1	B
7	380140037-0003	Hexagon bolt with flange	2	C
8	171750002-0001	Governor gear	1	B
9	171630025-0001	Speed regulating arm	1	B
10	380450531-0001	Flat washer	1	C
11	381350004-0001	Split pin	1	A
12	270210062-0001	Lighting coil combination	1	B
13	380140103-0004	Hexagon bolt with flange	2	C

曲轴箱盖 (CRANK CASE COVER)

No.	Part No.	Description	Reqd. QTY	CONSUMABLE GRADE
1	110690096-0004	Oil rule combination	2	B
2	140020351-0001	Camshaft assy	6	C
3	380650642-0001	Oil seal	1	B
4	110820177-0001	Crankcase cover	1	C
5	110830063-0001	Crankcase cover gasket	1	A
6	380600120-0001	ocation pin	2	C

曲轴/活塞 (CRANKSHAFT/PISTON)

No.	Part No.	Description	Reqd. QTY	CONSUMABLE GRADE
1	130070158-0001	Piston ring combination	1	A
2	380560056-0001	Steel cable baffle ring	2	B
3	130030245-0001	Piston	1	A
4	130060031-0001	Piston pin	1	C
5	130150039-0001	Connecting rod	1	B
6	380620050-T040	Key	1	B
7	130290576-0001	crankshaft	1	B
8	380451091-0001	Flat washer	1	B

**配气系统(GAS DISTRIBUTION ADJUSTMENT)**

No.	Part No.	Description	Reqd. QTY	CONSUMABLE GRADE
1	140450068-0001	Valve rocker combination	2	B
2	141730001-0001	Valve rocker shaft	2	B
3	380570024-0003	Split damping ring	4	B
4	140670047-0001	Push rod	2	B
5	140690003-0001	Lifter, Valve	2	B
6	140320001-0001	Valve adjustment cap	2	B
7	140380068-0001	Retainer, valve spring	2	B
8	140340039-0001	Inner spring of valve	2	B
9	140400016-0001	Valve oil seal	1	B
10	500550076-0001	Valve Kit	1	B
11	140020168-0001	Camshaft assy	1	B

**起动机组件 (STARTER SUBASSEMBLY)**

No.	Part No.	Description	Reqd. QTY	CONSUMABLE GRADE
1	193490426-0001	Manual starting assembly	1	B
2	160210042-TB00	Fan cover comp.	1	B
3	193500177-TB00	Manual starting components	1	C
4	193690035-TB00	Starter decoration cover	1	C
5	380140001-0006	Hexagon bolt with flange	5	A

**导风部件(DIVERSION ASSY.)**

No.	Part No.	Description	Reqd. QTY	CONSUMABLE GRADE
1	160190084-0001	air deflector	1	C
2	380140037-0003	Hexagon bolt with flange	2	C

**化油器 (CARBURETOR)**

No.	Part No.	Description	Reqd. QTY	CONSUMABLE GRADE
1	170430178-0001	Carburetor gasket	1	A
2	170440093-0001	Heat insulating pad for carburetor	1	B
3	170430221-0001	Carburetor gasket	1	A
4	170022209-0001	Carburetor	1	B
5	170430065-0001	Carburetor gasket	1	A

**转子部件 (飞轮) /点火线圈 (FLYWHEEL/COIL ASSY.)**

No.	Part No.	Description	Reqd. QTY	CONSUMABLE GRADE
1	270020354-0001	FLYWHEEL COMP	1	B
2	160180036-0001	Impeller	1	B
3	193590030-0001	Starting disc	1	C
4	380370051-0001	Hexagon nut with flange	1	C
5	380140077-0005	Hexagon bolt with flange	2	C
6	270920476-0001	COIL ASSY.,IGNNTION	1	A

**调速控制系统 (CONTROL SYSTEM)**

No.	Part No.	Description	Reqd. QTY	CONSUMABLE GRADE
1	171680139-0001	Throttle handle combination	1	B
2	380140037-0003	Hexagon bolt with flange	2	C
3	171600081-0001	Governing spring	1	A
4	171590030-0001	Throttle rod	1	B
5	171610002-0001	throttle return spring	1	A
6	171620001-0003	Speed regulating bracket	1	C
7	380250002-0001	Square head set screw with flat point	1	C
8	380370066-0001	Hexagon nut with flange	1	C

**空滤器 (AIR CLEANER)**

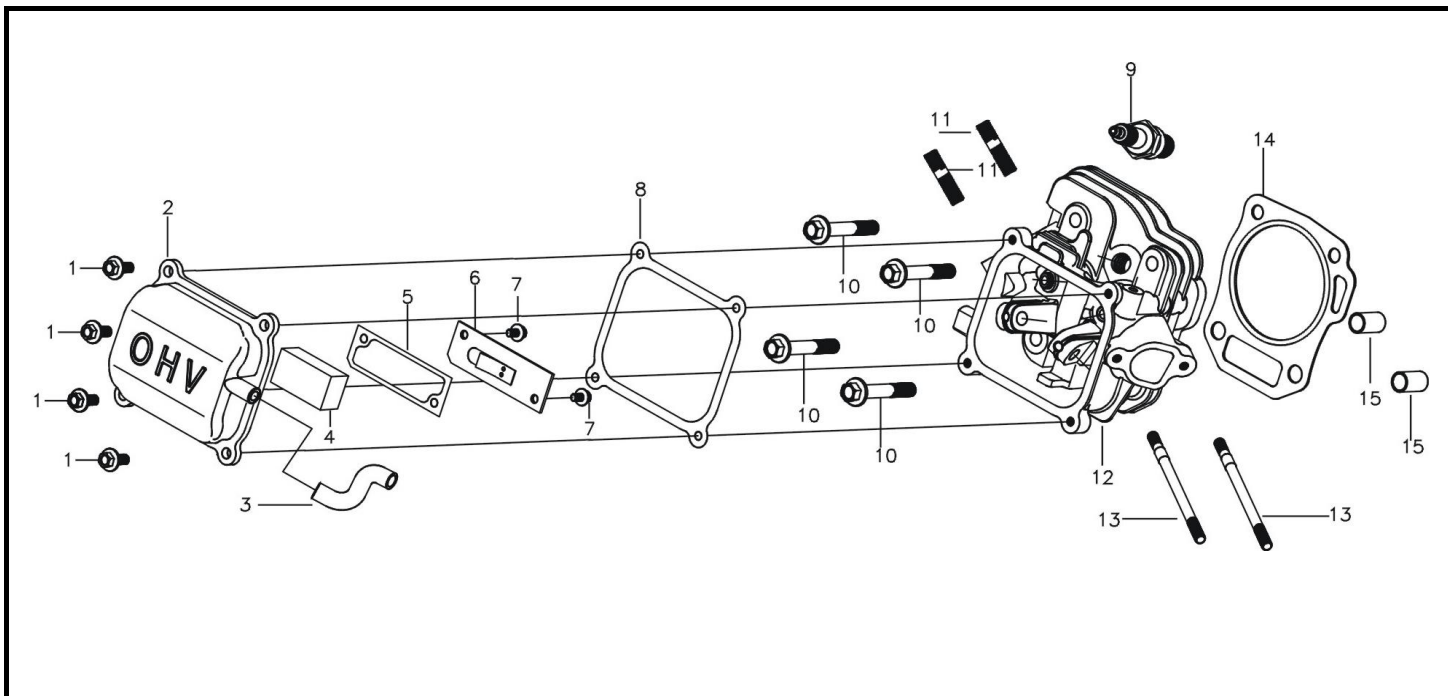
No.	Part No.	Description	Reqd. QTY	CONSUMABLE GRADE
1	180020320-0002	Air filter	1	B
2	380440002-0002	Butterfly nut	1	C
3	180220016-0001	Air filter pressing plate	1	B
4	180070172-0001	Air filter casing cover	1	C
5	180100041-0001	Air filter element combination	1	A
6	183010001-0001	Air filter element Support plate	1	B
7	180330040-0001	Support plate body of filter element	1	B
8	380840437-0001	Seal ring	1	A
9	180280030-0001	Air filter seat	1	B
10	380740471-0001	Breather tube	1	A
11	380370048-0001	Hexagon nut with flange	2	C

**消音器 (MUFFLER)**

No.	Part No.	Description	Reqd. QTY	CONSUMABLE GRADE
1	380340005-0005	Hexagon nut	2	C
2	180571921-0001	Muffler	1	B
3	180650116-0001	Outlet gasket	1	A

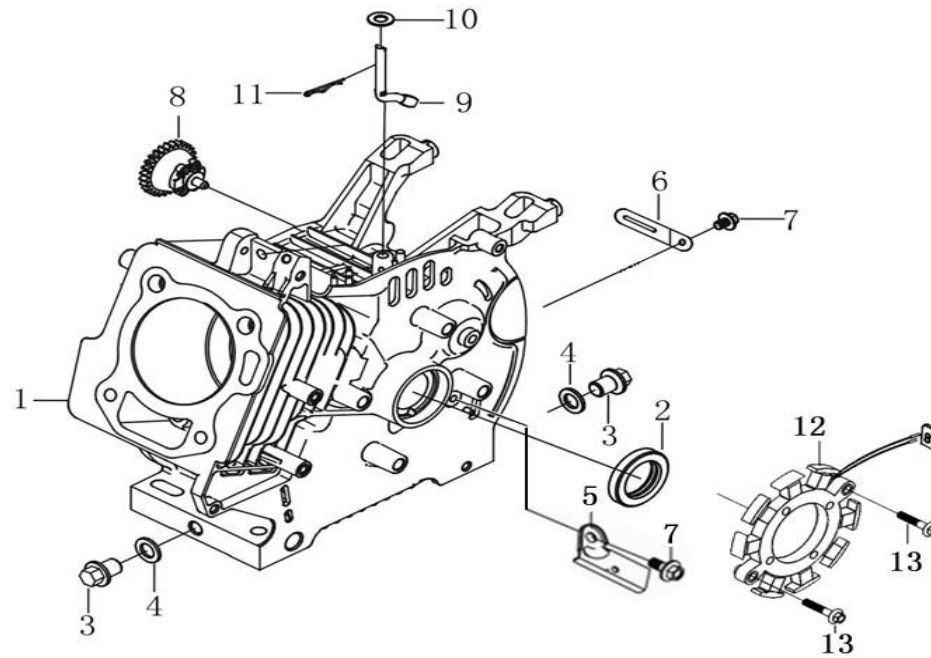
**油箱 (Tank)**

No.	Part No.	Description	Reqd. QTY	CONSUMABLE GRADE
1	170870042-0001	Tank cover	1	B
2	170720009-0001	Pouring orifice filter screen combination	1	A
3	170501038-0003	Tank	1	B
4	170660077-0001	Tank oilout	1	A
5	380920086-0001	rubber flat gasket	2	A
6	380370048-0001	Hexagon nut with flange	2	C
7	380140103-0004	Hexagon bolt with flange	1	C
8	380750761-0001	Oil tube	1	A
9	380770285-0001	Protective sleeve	1	A
10	380960170-0002	Clip combination	2	A



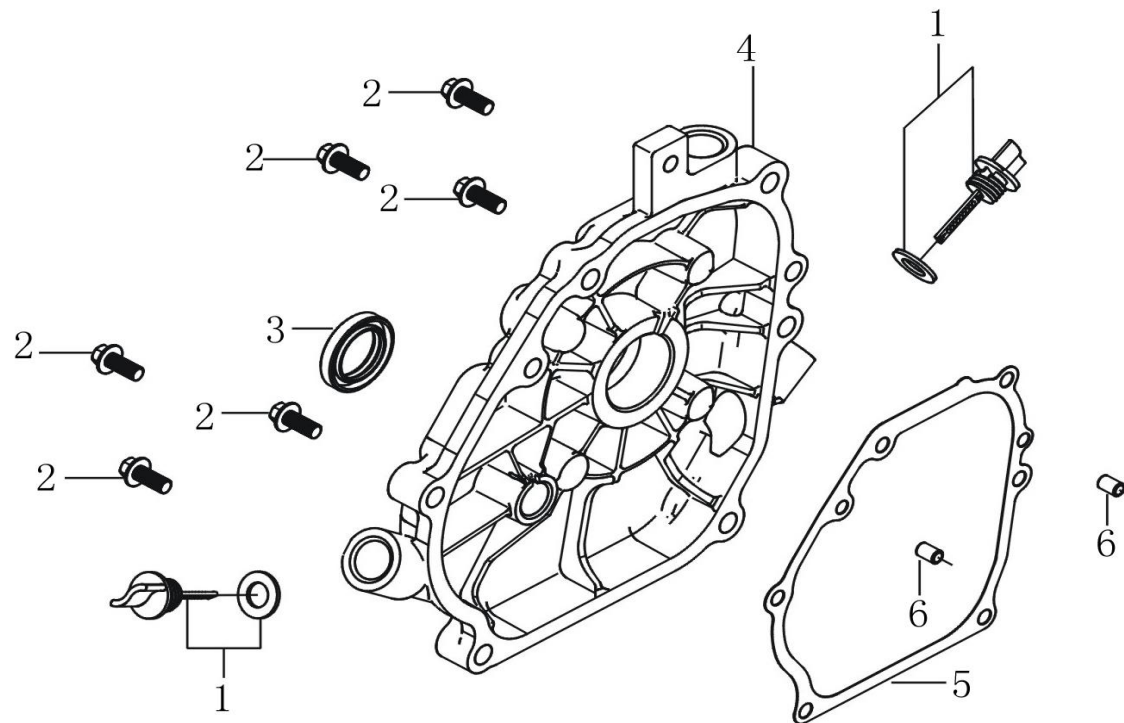
(CYLINDER HEAD)

No.	Part No.	Description	Reqd. QTY	CONSUMABLE GRADE
1	380140013-0005	Hexagon bolt with flange	4	C
2	120230138-0001	Cylinder head cover assy	1	C
3	380741168-0001	Breather tube	1	A
4	150290027-0001	Engine oil Strainer	1	A
5	110850026-0001	PACKING, BREATHER CHAMBER	1	A
6	110840034-0001	CAP,BREATHER CHAMBER	1	C
7	380140429-0001	Hexagon bolt with flange	2	C
8	120250057-0001	Gasket for cylinder head cover	1	A
9	270960014-0001	Spark plug	1	A
10	380140454-0002	Hexagon bolt with flange	4	C
11	380180098-0001	Stud	2	C
12	120080636-0001	Cylinder end	1	B
13	380180093-0001	Stud	2	C
14	120150216-0001	Gasket for cylinder head	1	A
15	380600116-0001	ocation pin	2	C



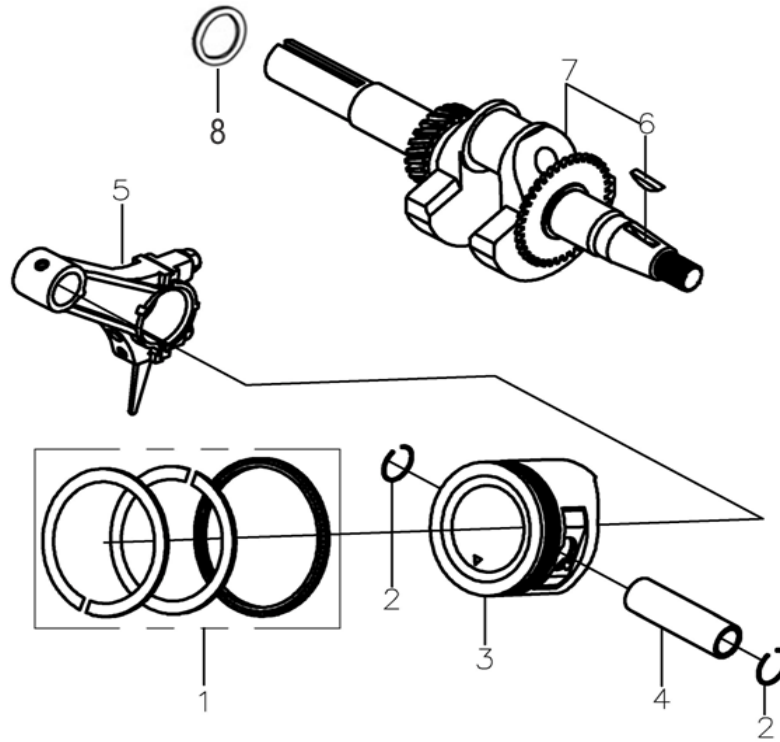
**(CRANK CASE)**

No.	Part No.	Description	Reqd. QTY	CONSUMABLE GRADE
1	110810329-0001	Crankcase body	1	B
2	380650347-0001	Oil seal	1	B
3	110260025-0001	Sealing plug screw	2	C
4	380450514-0001	Flat washer	2	C
5	270280025-0001	Tension disc for wire bundle	1	C
6	380940346-0003	Cable cleat	1	B
7	380140037-0003	Hexagon bolt with flange	2	C
8	171750002-0001	Governor gear	1	B
9	171630025-0001	Speed regulating arm	1	B
10	380450531-0001	Flat washer	1	C
11	381350004-0001	Split pin	1	A
12	270210062-0001	Lighting coil combination	1	B
13	380140103-0004	Hexagon bolt with flange	2	C



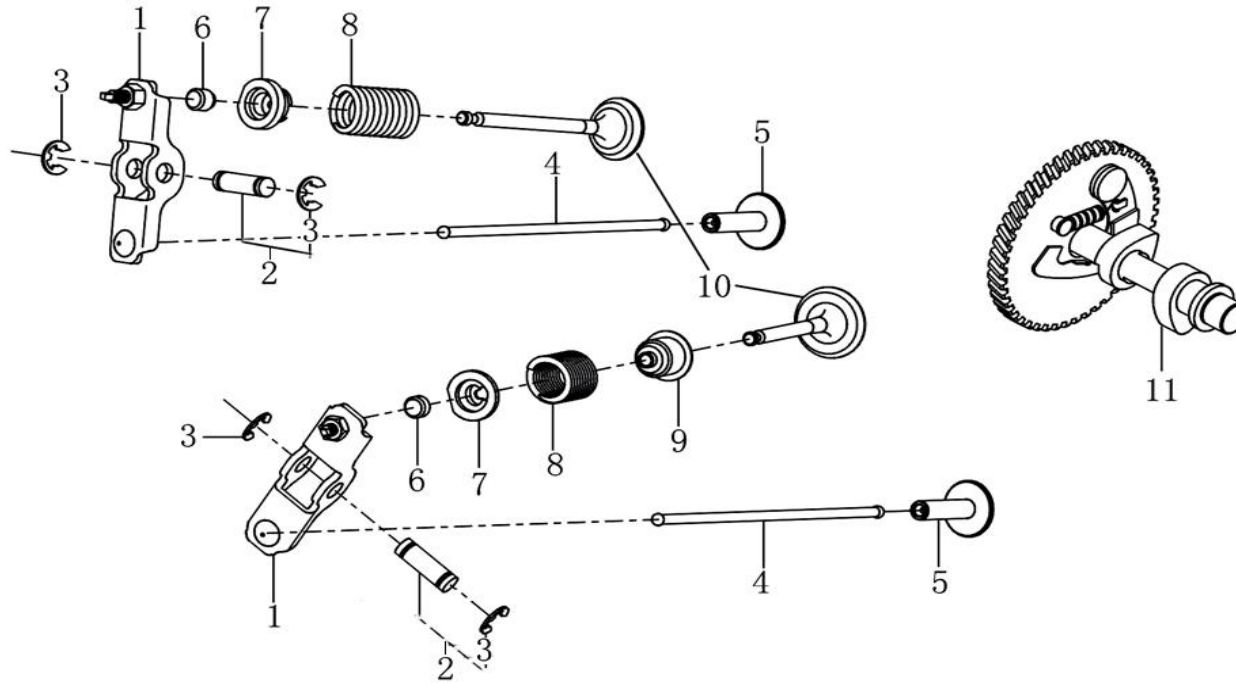
(CRANK CASE COVER)

No.	Part No.	Description	Reqd. QTY	CONSUMABLE GRADE
1	110690096-0004	Oil rule combination	2	B
2	380140028-0004	Hexagon bolt with flange	6	C
3	380650642-0001	Oil seal	1	B
4	110820177-0001	Crankcase cover	1	C
5	110830063-0001	Crankcase cover gasket	1	A
6	380600120-0001	ocation pin	2	C



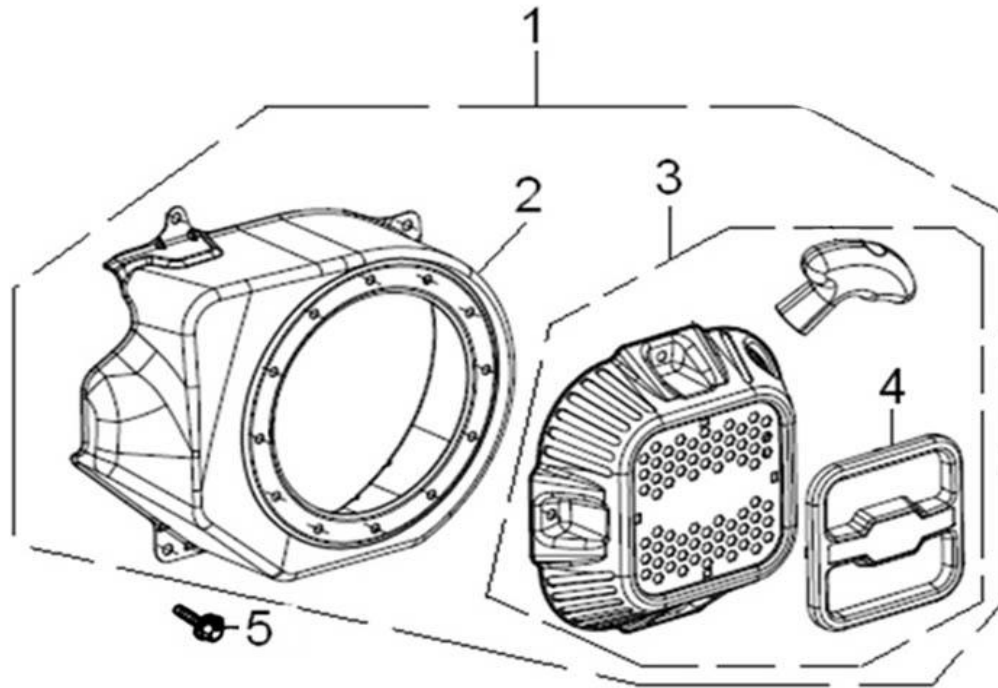
(CRANKSHAFT/PISTON)

No.	Part No.	Description	Reqd. QTY	CONSUMABLE GRADE
1	130070158-0001	Piston ring combination	1	A
2	380560056-0001	Steel cable baffle ring	2	B
3	130030245-0001	Piston	1	A
4	130060031-0001	Piston pin	1	C
5	130150039-0001	Connecting rod	1	B
6	380620050-T040	Key	1	B
7	130290576-0001	crankshaft	1	B
8	380451091-0001	Flat washer	1	B



### 配气系统 (GAS DISTRIBUTION ADJUSTMENT)

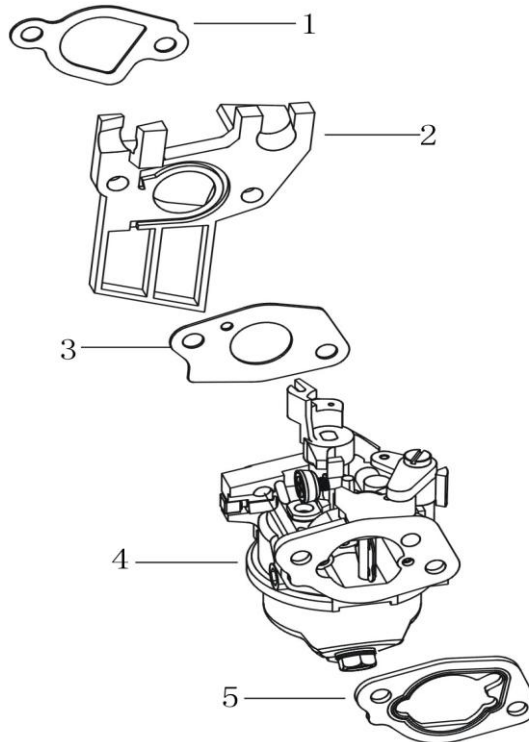
No.	Part No.	Description	Reqd. QTY	CONSUMABLE GRADE
1	140450068-0001	Valve rocker combination	2	B
2	141730001-0001	Valve rocker shaft	2	B
3	380570024-0003	Split damping ring	4	B
4	140670047-0001	Push rod	2	B
5	140690003-0001	Lifter, Valve	2	B
6	140320001-0001	Valve adjustment cap	2	B
7	140380068-0001	Retainer, valve spring	2	B
8	140340039-0001	Inner spring of valve	2	B
9	140400016-0001	Valve oil seal	1	B
10	500550076-0001	Valve Kit	1	B
11	140020351-0001	Camshaft assy	1	B



(STARTER SUBASSEMBLY)

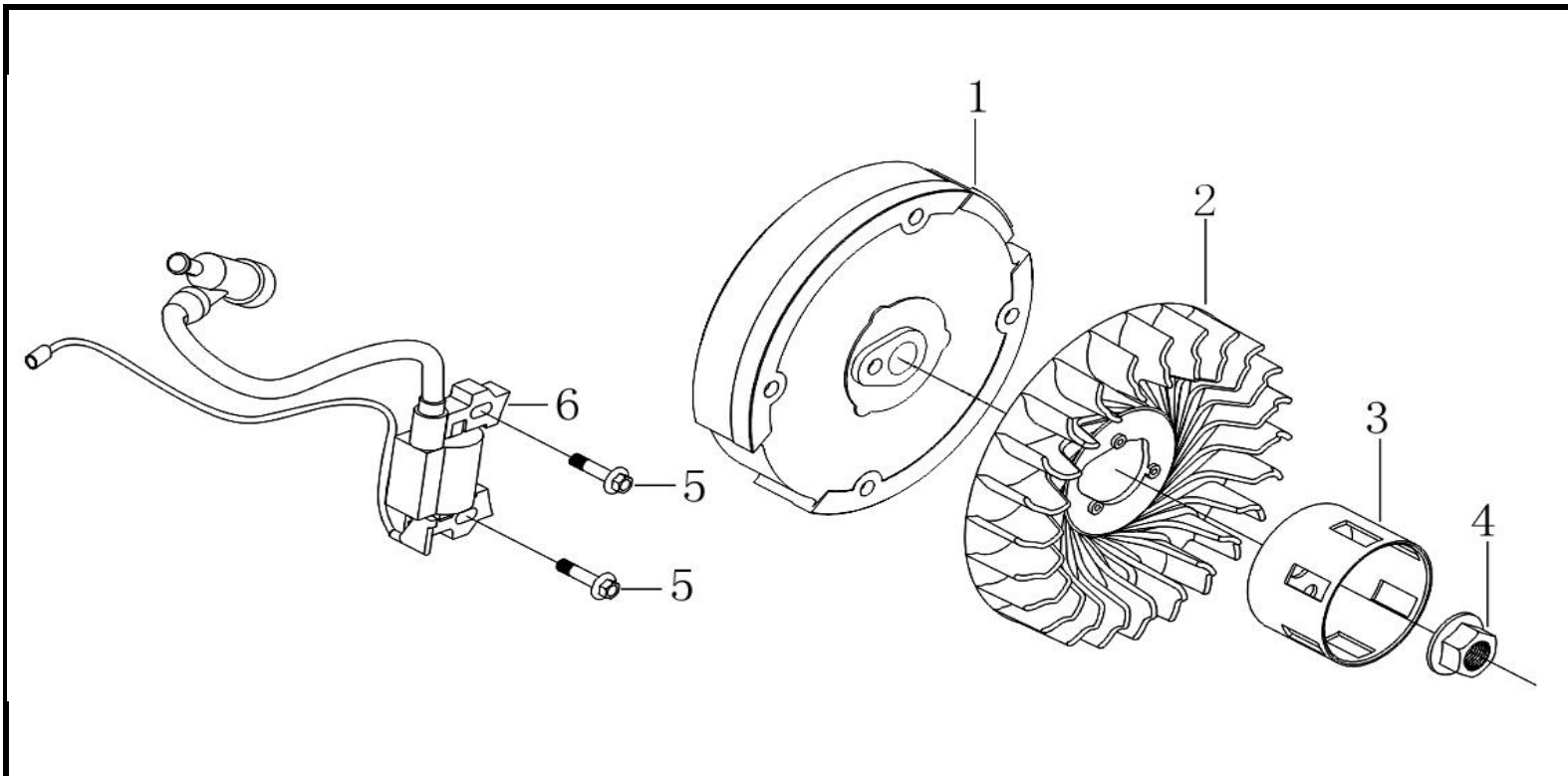
No.	Part No.	Description	Reqd. QTY	CONSUMABLE GRADE
1	193490426-0001	Manual starting assembly	1	B
2	160210042-TB00	Fan cover comp.	1	B
3	193500177-TB00	Manual starting components	1	C
4	193690035-TB00	Starter decoration cover	1	C
5	380140001-0006	Hexagon bolt with flange	5	A





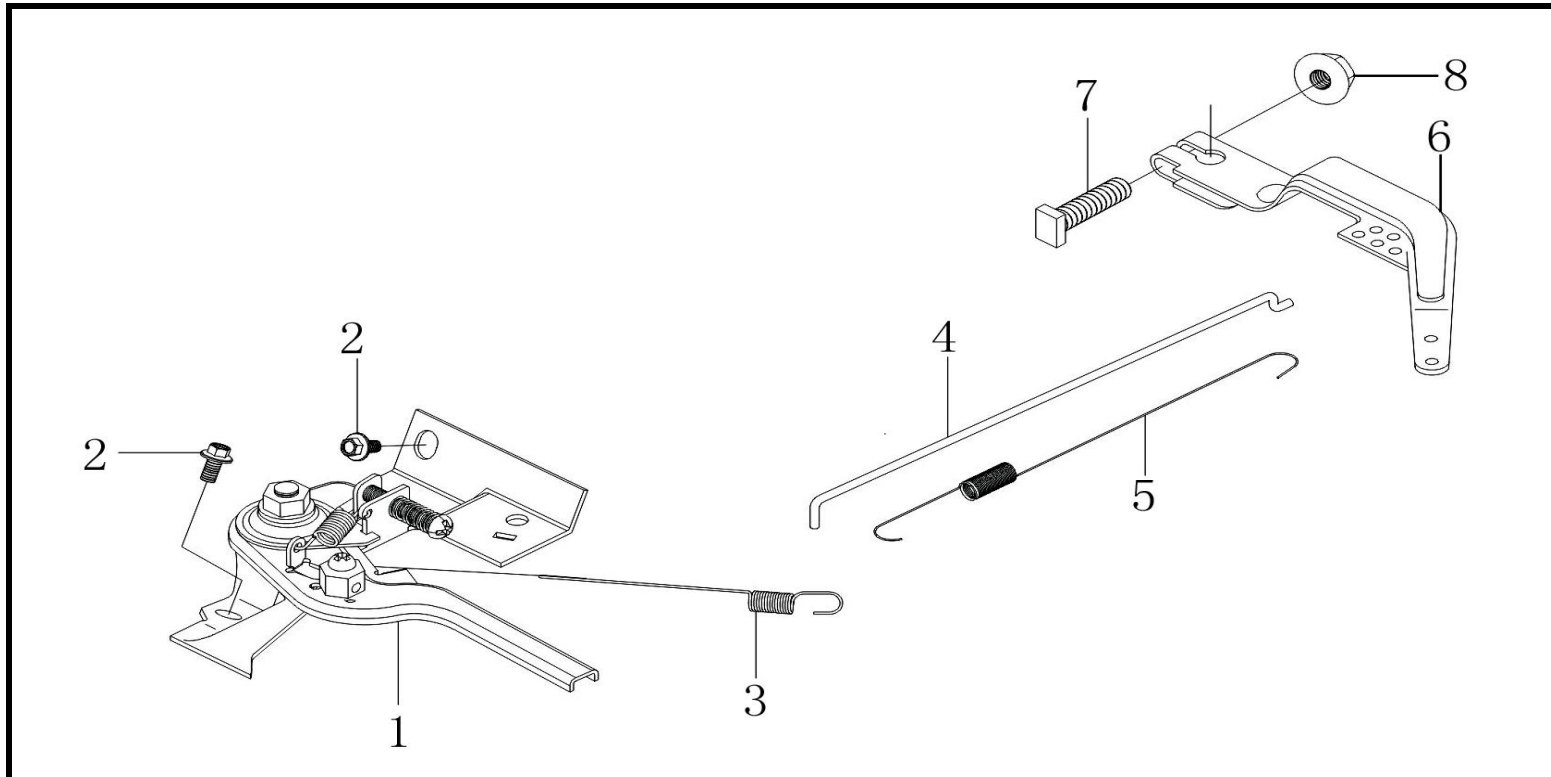
( CARBURETOR )

No.	Part No.	Description	Reqd. QTY	CONSUMABLE GRADE
1	170430178-0001	Carburetor gasket	1	A
2	170440093-0001	Heat insulating pad for carburetor	1	B
3	170430221-0001	Carburetor gasket	1	A
4	170022209-0001	Carburetor	1	B
5	170430065-0001	Carburetor gasket	1	A



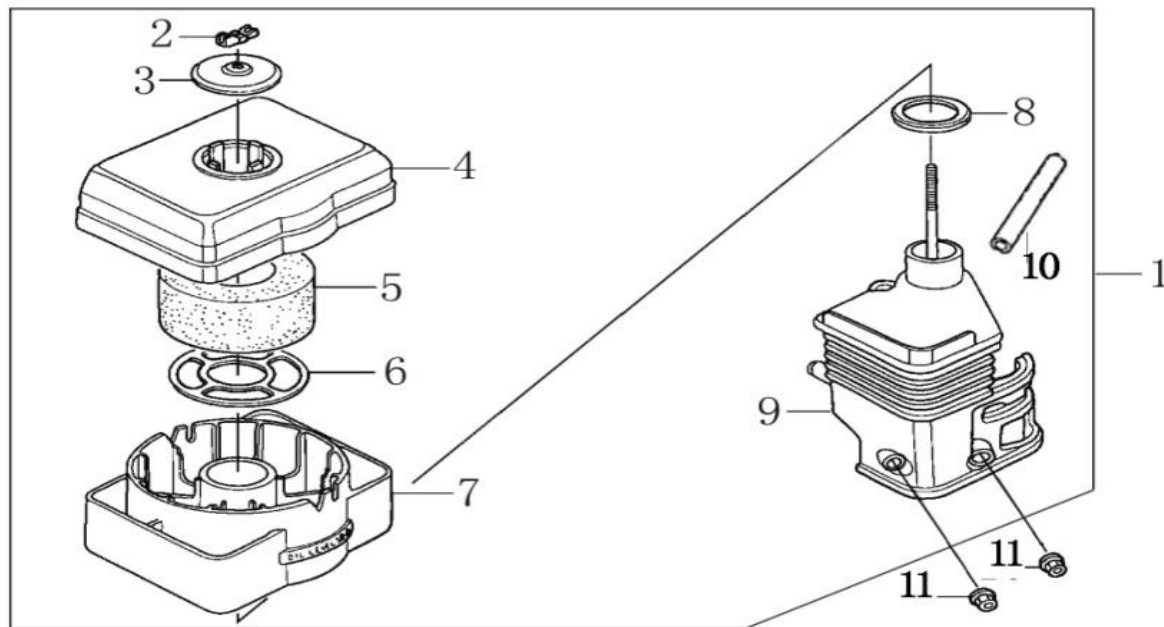
( FLYWHEEL/COIL ASSY. )

No.	Part No.	Description	Reqd. QTY	CONSUMABLE GRADE
1	270020354-0001	FLYWHEEL COMP	1	B
2	160180036-0001	Impeller	1	B
3	193590030-0001	Starting disc	1	C
4	380370051-0001	Hexagon nut with flange	1	C
5	380140077-0005	Hexagon bolt with flange	2	C
6	270920476-0001	COIL ASSY.,IGNNTION	1	A



(CONTROL SYSTEM)

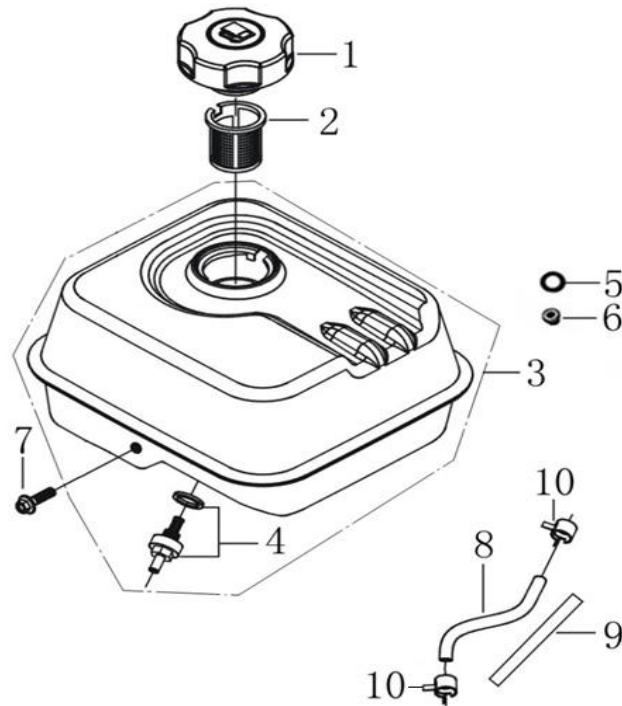
No.	Part No.	Description	Reqd. QTY	CONSUMABLE GRADE
1	171680139-0001	Throttle handle combination	1	B
2	380140037-0003	Hexagon bolt with flange	2	C
3	171600081-0001	Governing spring	1	A
4	171590030-0001	Throttle rod	1	B
5	171610002-0001	throttle return spring	1	A
6	171620001-0003	Speed regulating bracket	1	C
7	380250002-0001	Square head set screw with flat point	1	C
8	380370066-0001	Hexagon nut with flange	1	C



(AIR CLEANER)

No.	Part No.	Description	Reqd. QTY	CONSUMABLE GRADE
1	180020320-0002	Air filter	1	B
2	380440002-0002	Butterfly nut	1	C
3	180220016-0001	Air filter pressing plate	1	B
4	180070172-0001	Air filter casing cover	1	C
5	180100041-0001	Air filter element combination	1	A
6	183010001-0001	Air filter element Support plate	1	B
7	180330040-0001	Support plate body of filter element	1	B
8	380840437-0001	Seal ring	1	A
9	180280030-0001	Air filter seat	1	B
10	380740471-0001	Breather tube	1	A
11	380370048-0001	Hexagon nut with flange	2	C





(Tank)

No.	Part No.	Description	Reqd. QTY	CONSUMABLE GRADE
1	170870042-0001	Tank cover	1	B
2	170720009-0001	Pouring orifice filter screen combination	1	A
3	170501038-0003	Tank	1	B
4	170660077-0001	Tank oilout	1	A
5	380920086-0001	rubber flat gasket	2	A
6	380370048-0001	Hexagon nut with flange	2	C
7	380140103-0004	Hexagon bolt with flange	1	C
8	380750761-0001	Oil tube	1	A
9	380770285-0001	Protective sleeve	1	A
10	380960170-0002	Clip combination	2	A