

vulnerable properties: Refers to the degree of wear and tear in the day-to-day operation of the correct use of this part which according to guide customers reasonable reserves.A for wear and tear easily, B for wear and tear is not easy while C for wear and tear on behalf of the non-basic.The part of A proposal by the highest parts inventory reserves; B for stocking pieces according to the minimum reserves and C try not to make reserves for)

机型Model:LC2V80FD

版本号: LC/LT-2019-A

气缸头I总成 (CYLINDER HEAD ASSY)

序号 No.	零部件件号 Part No.	Description	数量 Reqd. QTY	易损属性 CONSUMABLE GRADE
1	380140103-0004	Hexagon bolt with flange	4	C
2	110690101-0001	Oil rule combination	1	B
3	120230165-0001	Cylinder head cover	1	C
4	120250058-0001	Gasket for cylinder head cover	1	C
5	380140454-0002	Hexagon bolt with flange	6	C
6	380180139-0001	Stud	4	C
7	120080786-0001	Cylinder head	1	B
8	270960028-0002	Spark plug	1	A
9	120150250-0001	Gasket for cylinder head	1	A
10	380600122-0001	ocation pin	2	C
11	160190114-0001	air deflector	1	C
12	380140013-0005	Hexagon bolt with flange	2	C
13	120550017-0001	Lifting eye	1	C
14	380020086-0001	Hexagon shaft shoulder bolt	1	C

气缸头II总成 (CYLINDER HEAD ASSY)

序号 No.	零部件件号 Part No.	Description	数量 Reqd. QTY	易损属性 CONSUMABLE GRADE
1	380140103-0004	Hexagon bolt with flange	4	C
2	110690101-0001	Oil rule combination	1	B
3	120230165-0001	Cylinder head cover	1	C
5	380140454-0002	Hexagon bolt with flange	6	C
4	120250058-0001	Gasket for cylinder head cover	1	A
6	270960028-0002	Spark plug	1	A
7	120080787-0001	Cylinder head	1	B
8	120150250-0001	Gasket for cylinder head	1	A
9	380600122-0001	ocation pin	2	C
10	380180139-0001	Stud	2	C
11	160190115-0001	air deflector	1	C
12	380140013-0005	Hexagon bolt with flange	2	C
13	300710132-0001	Air filter bracket	1	C
14	120550017-0001	Lifting eye	1	C
15	380140004-0004	Hexagon bolt with flange	1	C

曲轴箱体 (CRANKCASE)

序号 No.	零部件件号 Part No.	Description	数量 Reqd. QTY	易损属性 CONSUMABLE GRADE
1	380140067-0003	Hexagon bolt with flange	5	C
2	160190111-0001	air deflector	1	C
3	380650337-0001	Oil seal	1	C
4	110810365-0001	Crankcase body	1	B
5	380930114-0001	Location wire nail	1	A
6	160190112-0001	air deflector	1	C
7	380140077-0005	Hexagon bolt with flange	1	C
8	380140013-0005	Hexagon bolt with flange	3	C
9	281890012-0001	Engine oil protector	1	C
10	110260001-0001	Sealing plug screw	2	C
11	380450591-0001	Flat washer	2	C
12	150350050-0001	Oil filter	1	A
13	150840004-0001	Oil filter Mounting bolts	1	C

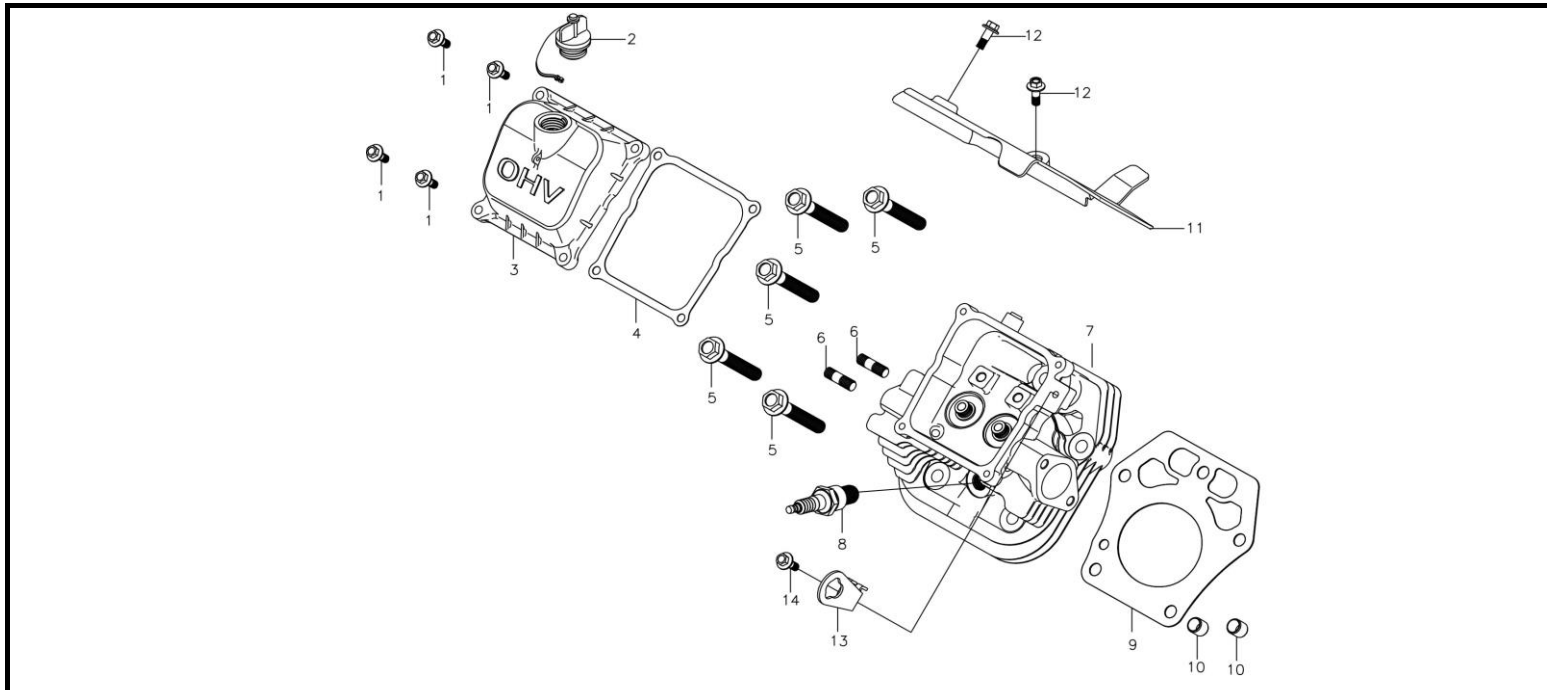
曲轴箱体 (CRANKCASE)

序号 No.	零部件件号 Part No.	Description	数量 Reqd. QTY	易损属性 CONSUMABLE GRADE
14	380840812-0001	Seal ring	1	A
15	380780084-0001	coupling	1	C
16	380450514-0001	Flat washer	1	C
17	171630035-0001	Speed regulating arm	1	A
18	380450522-0002	Flat washer	2	B

19	380650377-0001	Oil seal	1	C
20	380570024-0003	Split damping ring	1	B
21	140250019-0001	Leaf valve	1	A
22	150310020-0001	Filter	1	A
23	110850025-0001	PACKING, BREATHER CHAMBER	1	A
24	110840035-0001	CAP,BREATHER CHAMBER	1	C
25	380140077-0005	Hexagon bolt with flange	4	C
26	380950212-0001	Pipe clip	2	A
<b>曲轴箱体 (CRANKCASE)</b>				
序号	零部件件号	Description	数量	易损属性
No.	Part No.		Reqd. QTY	CONSUMABLE GRADE
27	380741182-0001	Breather tube	1	A
28	270360140-0001	Components of starting motor	1	B
29	380140190-0003	Hexagon bolt with flange	2	C
30	160190113-0001	air deflector	1	C
31	270850025-0001	Starting Relay Support	1	C
<b>曲轴箱盖 (CRANKCASE COVER)</b>				
序号	零部件件号	Description	数量	易损属性
No.	Part No.		Reqd. QTY	CONSUMABLE GRADE
1	380140339-0001	Hexagon bolt with flange	11	C
2	380650574-0001	Oil seal	1	B
3	110820200-0001	Crankcase cover	1	C
4	380600123-0001	ocation pin	2	C
5	171750043-0001	Components of governor gear	1	B
6	110830072-0001	Crankcase cover gasket	1	A
7	380140067-0003	Hexagon bolt with flange	3	C
8	110690116-0001	Oil rule combination	1	B
9	283690006-0001	Oil level alarm	1	A
10	380780084-0001	coupling	1	C
11	380450514-0001	Flat washer	1	C
12	150290019-0001	Engine oil Strainer	1	A
<b>曲轴箱盖 (CRANKCASE COVER)</b>				
序号	零部件件号	Description	数量	易损属性
No.	Part No.		Reqd. QTY	CONSUMABLE GRADE
13	150340012-0001	Cover,Oil Strainer	1	C
14	380140077-0005	Hexagon bolt with flange	3	C
15	150010109-0001	Components of oil pump	1	B
16	380640016-0001	Steel ball	1	C
17	381150370-0001	Compression spring	1	A
18	380840976-0001	Seal ring	1	A
19	380600121-0001	ocation pin	2	C
20	150040053-0001	Oil pump cover	1	C
<b>曲轴_活塞 (CRANKSHAFT_PISTON)</b>				
序号	零部件件号	Description	数量	易损属性
No.	Part No.		Reqd. QTY	CONSUMABLE GRADE
1	130070157-0001	Piston ring combination	2	A
2	130030226-0001	Piston	2	A
3	380560078-0001	Steel cable baffle ring	4	B
4	130060054-0001	Piston pin	2	C
5	130150073-0001	Connecting rod	2	B
6	130290677-0001	crankshaft	1	B
7	380620114-0001	Key	1	B
<b>配气系统 (ROCKER,CAMSHAFT)</b>				
序号	零部件件号	Description	数量	易损属性
No.	Part No.		Reqd. QTY	CONSUMABLE GRADE
1	140390015-0001	Valve locker	8	B
1	140380021-0001	Retainer, valve spring	4	B
2	140340025-0001	Inner spring of valve	4	B
4	140400012-0001	Valve oil seal	4	B
5	140360010-0001	Seat, valve spring	4	B
6	500550037-0001	Valve Kit	2	B
7	140020178-0001	Camshaft assy	1	B
8	140450062-0001	Valve rocker combination	4	C
9	140710014-0001	Plate, push rod guide	2	C
10	140670037-0001	Push rod	4	B
11	140690017-0001	Lifter, Valve	4	B
<b>磁电机转子、风扇罩 (FLYWHEEL)</b>				

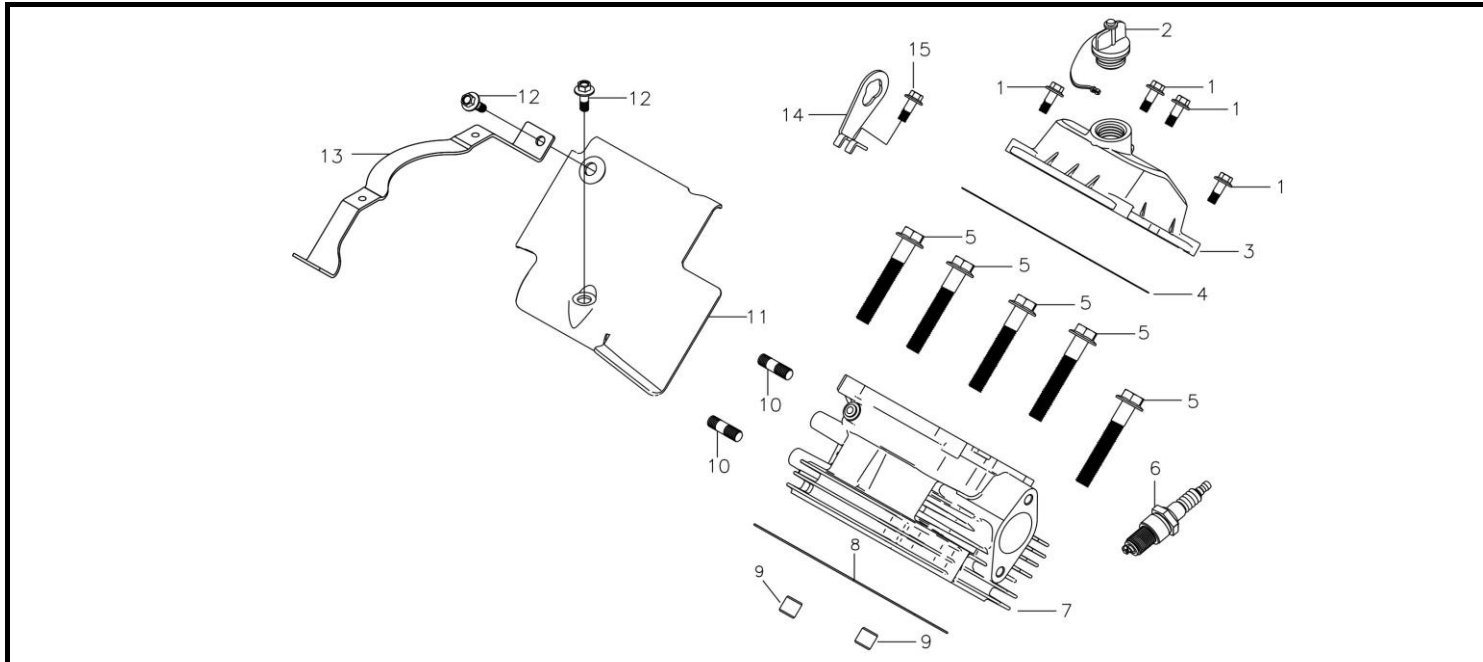
序号 No.	零部件件号 Part No.	Description	数量 Reqd. QTY	易损属性 CONSUMABLE GRADE
1	270190060-0001	Components of charging current armature	1	A
2	380190008-0005	Socket head screw	4	C
3	270020357-0001	FLYWHEEL COMP	1	B
4	380451020-0001	Flat washer	1	C
5	380140457-0001	Hexagon bolt with flange	1	C
6	160180020-0001	Impeller	1	B
7	380140004-0004	Hexagon bolt with flange	4	C
8	160210141-0001	Fan cover comp.	1	B
9	160710007-0001	Fan cover Windshield	1	C
10	380140013-0005	Hexagon bolt with flange	4	C
11	270880261-0001	RectifierVariable voltage rectifier	1	A
12	380140103-0004	Hexagon bolt with flange	4	C
13	271810062-0001	Start control switch	1	A
<b>磁电机转子、风扇罩 (FLYWHEEL)</b>				
序号 No.	零部件件号 Part No.	Description	数量 Reqd. QTY	易损属性 CONSUMABLE GRADE
14	271340084-0001	Ignition switch key	1	A
15	380020086-0001	Hexagon shaft shoulder bolt	1	C
16	270920466-0001	COIL ASSY.,IGNNTION	1	A
17	270920465-0001	COIL ASSY.,IGNNTION	1	A
18	380140054-0003	Hexagon bolt with flange	4	C
19	160010110-0001	Heat sink Part	1	B
20	380960223-0001	Clip combination	4	A
<b>化油器 (CARBURETOR)</b>				
序号 No.	零部件件号 Part No.	Description	数量 Reqd. QTY	易损属性 CONSUMABLE GRADE
1	380140375-0001	Hexagon bolt with flange	4	C
2	180280130-0001	Air filter seat	1	B
3	170430192-0001	Carburetor gasket	1	A
4	170021972-0003	Carburetor	1	B
5	170430191-0001	Carburetor gasket	1	A
6	380140054-0003	Hexagon bolt with flange	2	C
7	180420661-0001	Intake pipe	1	C
8	170430190-0001	Carburetor gasket	2	A
9	170440101-0001	Heat insulating pad for carburetor	1	B
10	170430210-0001	Carburetor gasket	2	A
11	380140051-0005	Hexagon bolt with flange	4	C
12	180420749-0001	Intake pipe	1	C
13	380950188-0001	Pipe clip	1	A
<b>化油器 (CARBURETOR)</b>				
序号 No.	零部件件号 Part No.	Description	数量 Reqd. QTY	易损属性 CONSUMABLE GRADE
14	380750942-0001	Oil tube	1	A
15	170460031-0001	Gasoline pump	1	B
16	174680002-0001	COVER,FUEL PUMP	1	C
17	380140103-0004	Hexagon bolt with flange	2	B
18	380770292-0001	Protective sleeve	1	A
19	380750381-0001	Oil tube	2	A
20	380960120-0004	Clip combination	6	A
21	380741320-0001	Breather tube	1	A
22	170010045-0001	Fuel filter	1	A
23	171650045-0001	Choke valve pull rod	1	B
24	172920012-0001	Choke valve handle combination	1	B
<b>调速控制 (CONTROL)</b>				
序号 No.	零部件件号 Part No.	Description	数量 Reqd. QTY	易损属性 CONSUMABLE GRADE
1	380140067-0003	Hexagon bolt with flange	6	C
2	171730073-0001	Support plate for speed regulating	1	C
3	171210615-0001	Throttle cable	1	A
4	171600127-0001	Governing spring	1	A
5	175030002-0001	Throttle locker	1	A
6	171620051-0002	Speed regulating bracket	1	C
7	380370066-0002	Hexagon nut with flange	1	C
8	380250003-0002	Square head set screw with flat point	1	C

9	171610039-0001	throttle return spring	1	A
10	171590042-0001	Throttle rod	1	B
11	171680183-0001	Throttle handle combination	1	B
12	173710005-0001	Throttle handle Rubber sleeve	1	A
13	171650045-0001	Choke valve pull rod	1	B
14	172920012-0001	Choke valve handle combination	1	B
<b>空滤器 (AIR CLEANER)</b>				
序号	零部件号	Description	数量	易损属性
No.	Part No.		Reqd. QTY	CONSUMABLE GRADE
1	180020901-0001	Air filter	1	B
2	180070265-0001	Air filter casing cover	1	B
3	180100113-0001	Air filter element combination	1	A
4	180330062-0001	Support plate body of filter element	1	B
5	380140067-0003	Hexagon bolt with flange	2	C
6	380140375-0001	Hexagon bolt with flange	1	C
<b>消声器 (MUFFLER)</b>				
序号	零部件号	Description	数量	易损属性
No.	Part No.		Reqd. QTY	CONSUMABLE GRADE
1	180650130-0001	Outlet gasket	1	A
2	180572402-0001	Muffler	1	B
3	180990138-0001	Muffler bracket	1	C
4	380340005-0009	Hexagon nut	4	C
5	380140004-0004	Hexagon bolt with flange	2	C
6	380460001-0006	Elastic washer	2	B



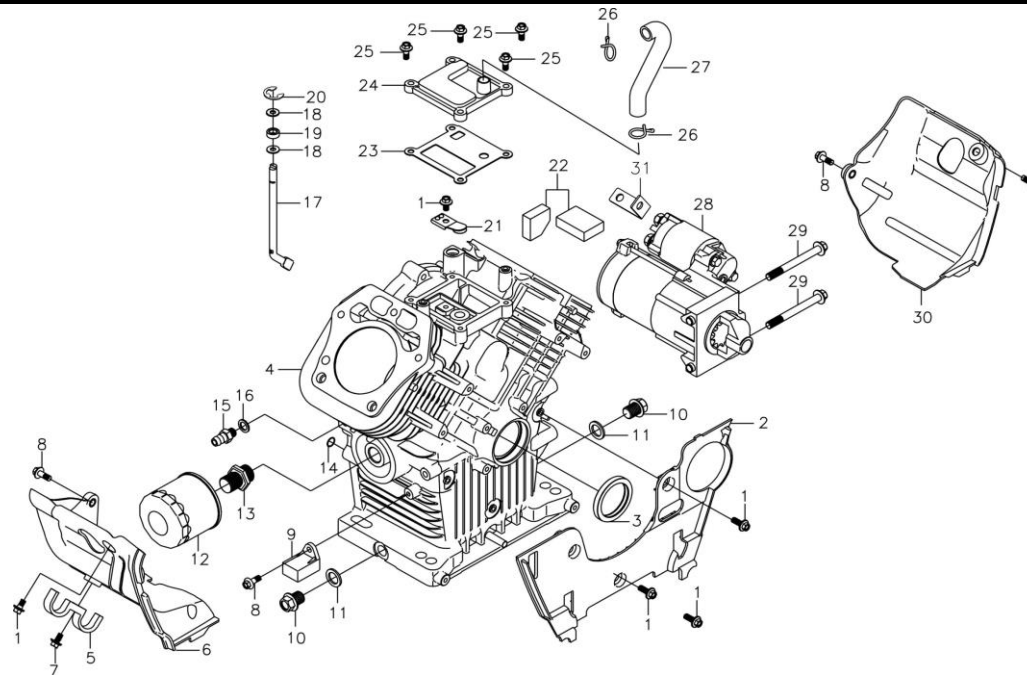
气缸头I总成 (CYLINDER HEAD ASSY)

序号	零部件件号	Description	数量	易损属性
No.	Part No.		Reqd. QTY	ONSUMABLE GRAD
1	380140103-0004	Hexagon bolt with flange	4	C
2	110690101-0001	Oil rule combination	1	B
3	120230165-0001	Cylinder head cover	1	C
4	120250058-0001	Gasket for cylinder head cover	1	C
5	380140454-0002	Hexagon bolt with flange	6	C
6	380180139-0001	Stud	4	C
7	120080786-0001	Cylinder head	1	B
8	270960028-0002	Spark plug	1	A
9	120150250-0001	Gasket for cylinder head	1	A
10	380600122-0001	ocation pin	2	C
11	160190114-0001	air deflector	1	C
12	380140013-0005	Hexagon bolt with flange	2	C
13	120550017-0001	Lifting eye	1	C
14	380020086-0001	Hexagon shaft shoulder bolt	1	C



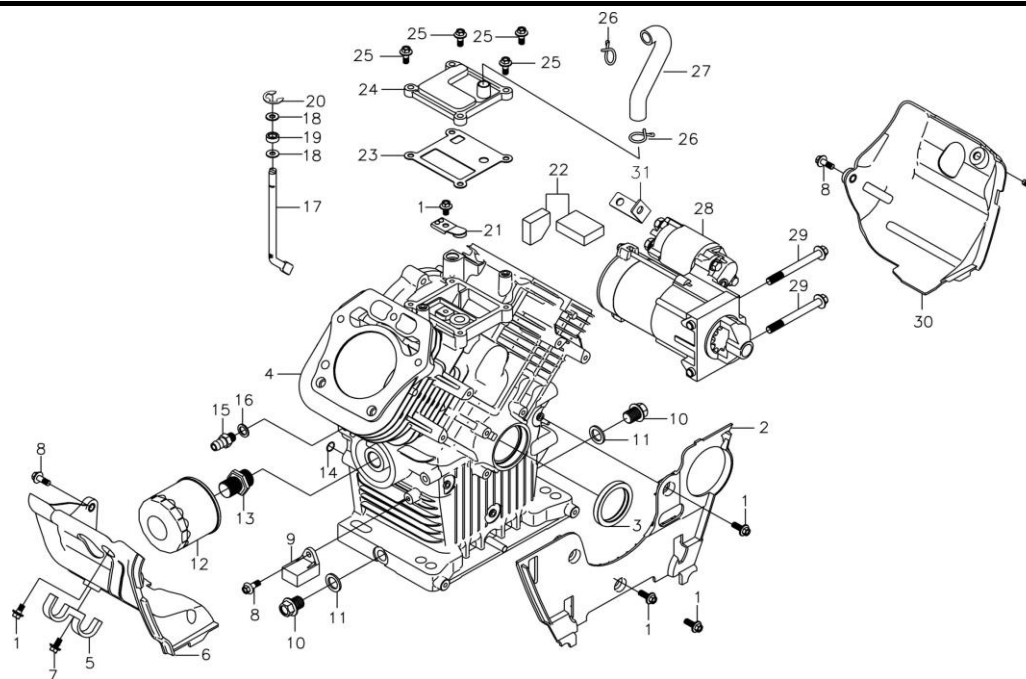
气缸头II总成 (CYLINDER HEAD ASSY)

序号 No.	零部件件号 Part No.	Description	数量 Reqd. QTY	易损属性 ONSUMABLE GRAD
1	380140103-0004	Hexagon bolt with flange	4	C
2	110690101-0001	Oil rule combination	1	B
3	120230165-0001	Cylinder head cover	1	C
5	380140454-0002	Hexagon bolt with flange	6	C
4	120250058-0001	Gasket for cylinder head cover	1	A
6	270960028-0002	Spark plug	1	A
7	120080787-0001	Cylinder head	1	B
8	120150250-0001	Gasket for cylinder head	1	A
9	380600122-0001	ocation pin	2	C
10	380180139-0001	Stud	2	C
11	160190115-0001	air deflector	1	C
12	380140013-0005	Hexagon bolt with flange	2	C
13	300710132-0001	Air filter bracket	1	C
14	120550017-0001	Lifting eye	1	C
15	380140004-0004	Hexagon bolt with flange	1	C



曲轴箱体 (CRANKCASE)

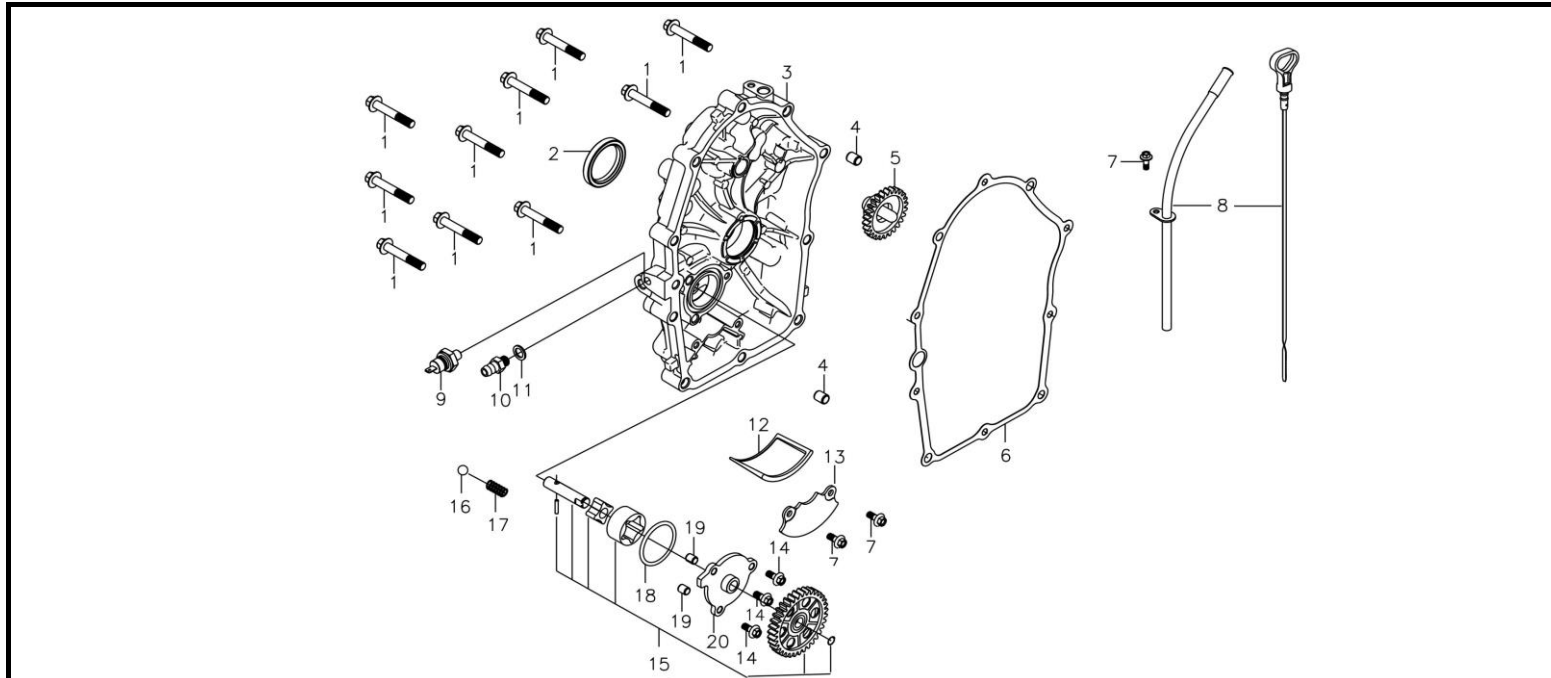
序号	零部件件号	Description	数量	易损属性
No.	Part No.		Reqd. QTY	ONSUMABLE GRAD
1	380140067-0003	Hexagon bolt with flange	5	C
2	160190111-0001	air deflector	1	C
3	380650337-0001	Oil seal	1	C
4	110810365-0001	Crankcase body	1	B
5	380930114-0001	Location wire nail	1	A
6	160190112-0001	air deflector	1	C
7	380140077-0005	Hexagon bolt with flange	1	C
8	380140013-0005	Hexagon bolt with flange	3	C
9	281890012-0001	Engine oil protector	1	C
10	110260001-0001	Sealing plug screw	2	C
11	380450591-0001	Flat washer	2	C
12	150350050-0001	Oil filter	1	A
13	150840004-0001	Oil filter Mounting bolts	1	C



曲轴箱体 (CRANKCASE)

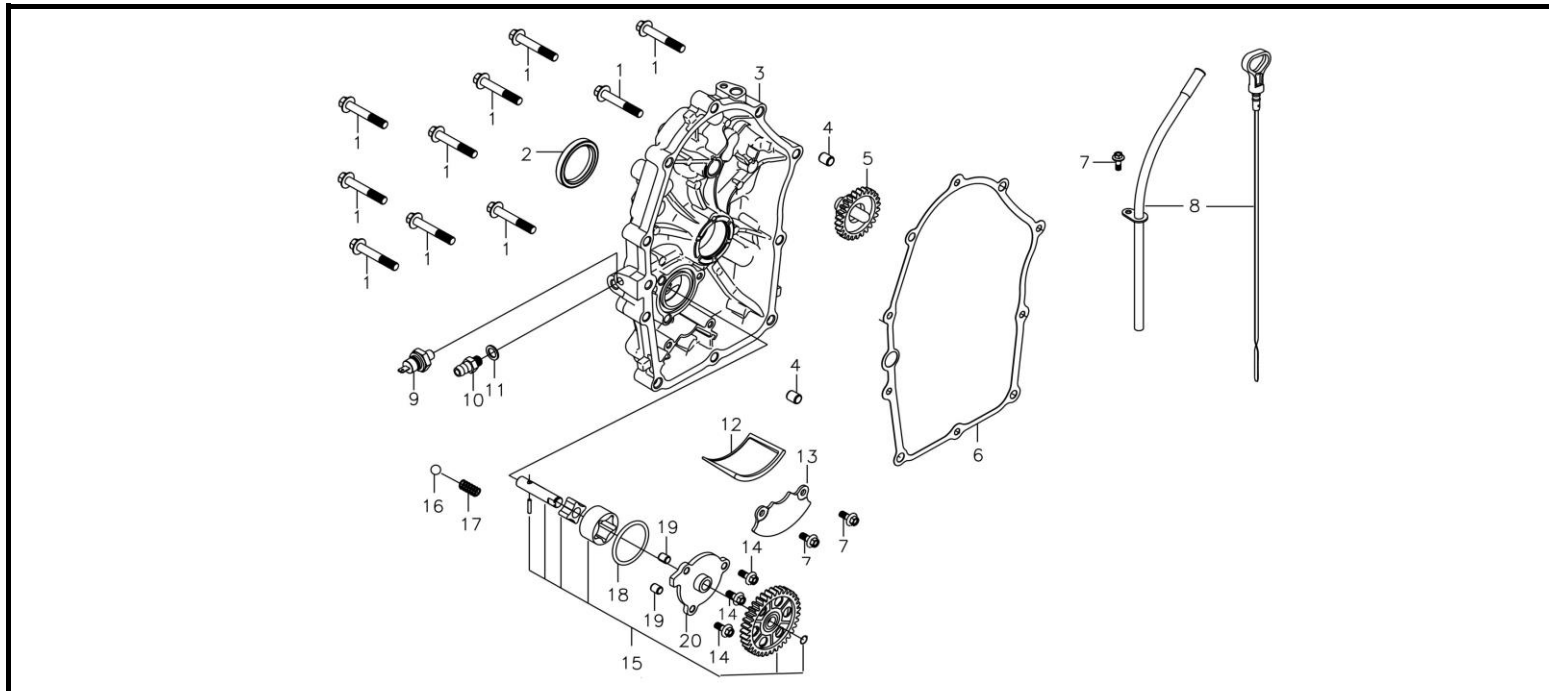
序号	零部件件号	Description	数量	易损属性
No.	Part No.		Reqd. QTY	ONSUMABLE GRAD
14	380840812-0001	Seal ring	1	A
15	380780084-0001	coupling	1	C
16	380450514-0001	Flat washer	1	C
17	171630035-0001	Speed regulating arm	1	A
18	380450522-0002	Flat washer	2	B
19	380650377-0001	Oil seal	1	C
20	380570024-0003	Split damping ring	1	B
21	140250019-0001	Leaf valve	1	A
22	150310020-0001	Filter	1	A
23	110850025-0001	PACKING, BREATHER CHAMBER	1	A
24	110840035-0001	CAP,BREATHER CHAMBER	1	C
25	380140077-0005	Hexagon bolt with flange	4	C
26	380950212-0001	Pipe clip	2	A





**曲轴箱盖 (CRANKCASE COVER)**

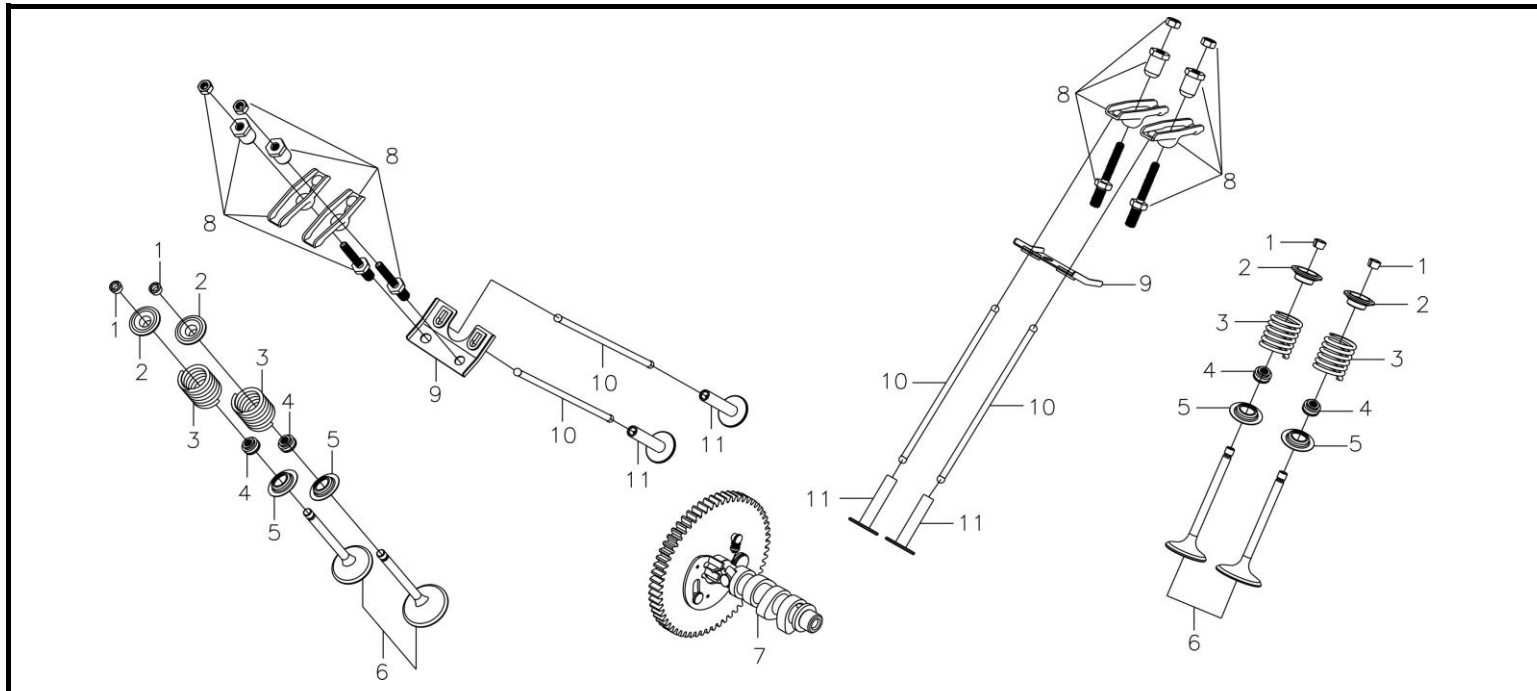
序号	零部件件号	Description	数量	易损属性
No.	Part No.		Reqd. QTY	CONSUMABLE GRAD
1	380140339-0001	Hexagon bolt with flange	11	C
2	380650574-0001	Oil seal	1	B
3	110820200-0001	Crankcase cover	1	C
4	380600123-0001	ocation pin	2	C
5	171750043-0001	Components of governor gear	1	B
6	110830072-0001	Crankcase cover gasket	1	A
7	380140067-0003	Hexagon bolt with flange	3	C
8	110690116-0001	Oil rule combination	1	B
9	283690006-0001	Oil level alarm	1	A
10	380780084-0001	coupling	1	C
11	380450514-0001	Flat washer	1	C
12	150290019-0001	Engine oil Strainer	1	A



曲轴箱盖 (CRANKCASE COVER)

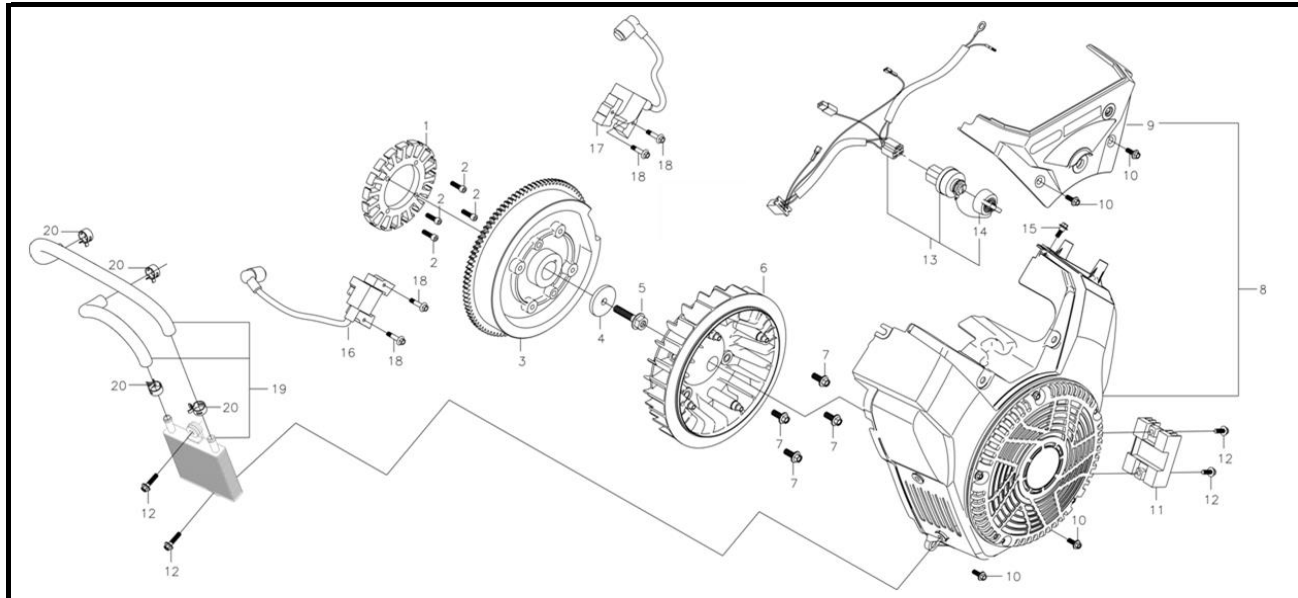
序号	零部件件号	Description	数量	易损属性
No.	Part No.		Reqd. QTY	CONSUMABLE GRAD
13	150340012-0001	Cover,Oil Strainer	1	C
14	380140077-0005	Hexagon bolt with flange	3	C
15	150010109-0001	Components of oil pump	1	B
16	380640016-0001	Steel ball	1	C
17	381150370-0001	Compression spring	1	A
18	380840976-0001	Seal ring	1	A
19	380600121-0001	ocation pin	2	C
20	150040053-0001	Oil pump cover	1	C





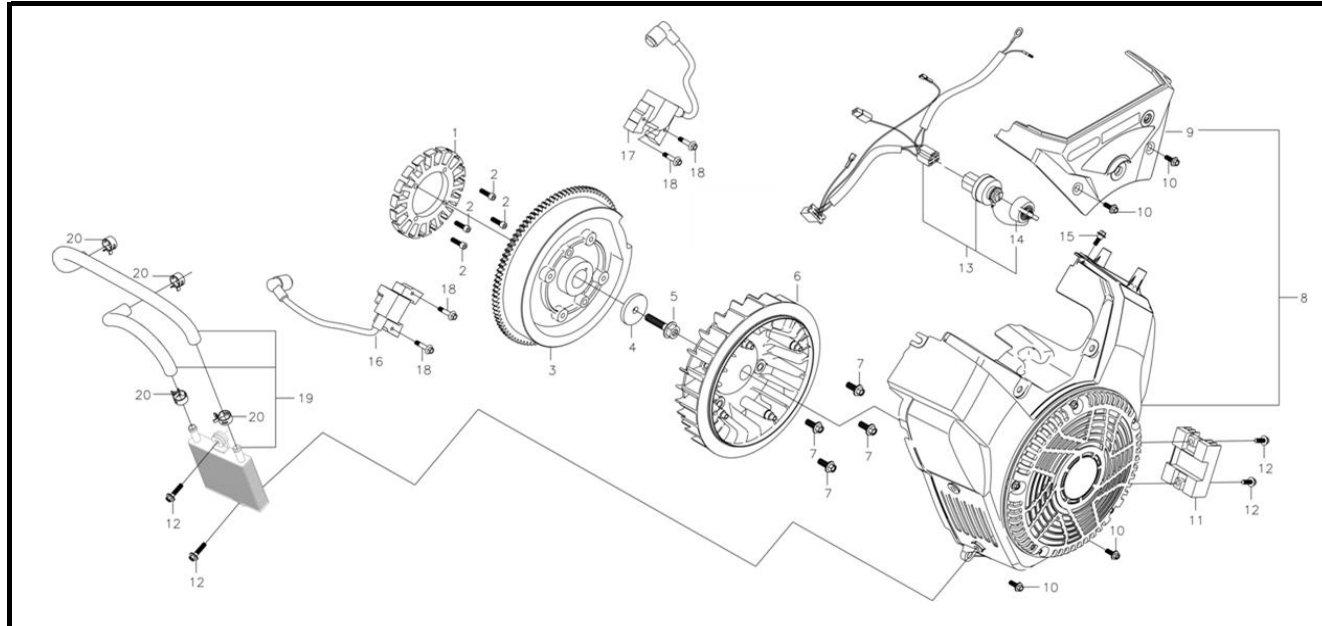
配气系统 (ROCKER,CAMSHAFT)

序号	零部件件号	Description	数量	易损属性
No.	Part No.		Reqd. QTY	CONSUMABLE GRAD
1	140390015-0001	Valve locker	8	B
1	140380021-0001	Retainer, valve spring	4	B
2	140340025-0001	Inner spring of valve	4	B
4	140400012-0001	Valve oil seal	4	B
5	140360010-0001	Seat, valve spring	4	B
6	500550037-0001	Valve Kit	2	B
7	140020178-0001	Camshaft assy	1	B
8	140450062-0001	Valve rocker combination	4	C
9	140710014-0001	Plate, push rod guide	2	C
10	140670037-0001	Push rod	4	B
11	140690017-0001	Lifter, Valve	4	B



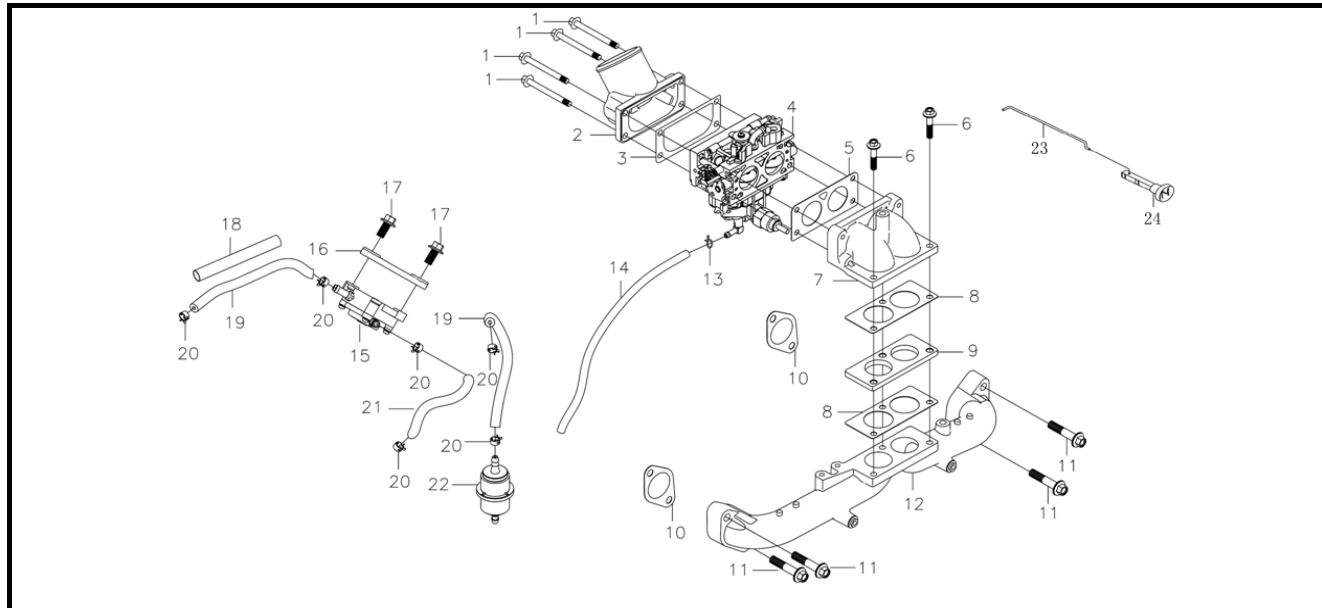
磁电机转子、风扇罩 (FLYWHEEL)

序号 No.	零部件件号 Part No.	Description	数量 Reqd. QTY	易损属性 CONSUMABLE GRAD
1	270190060-0001	Components of charging current armature	1	A
2	380190008-0005	Socket head screw	4	C
3	270020357-0001	FLYWHEEL COMP	1	B
4	380451020-0001	Flat washer	1	C
5	380140457-0001	Hexagon bolt with flange	1	C
6	160180020-0001	Impeller	1	B
7	380140004-0004	Hexagon bolt with flange	4	C
8	160210141-0001	Fan cover comp.	1	B
9	160710007-0001	Fan cover Windshield	1	C
10	380140013-0005	Hexagon bolt with flange	4	C
11	270880261-0001	RectifierVariable voltage rectifier	1	A
12	380140103-0004	Hexagon bolt with flange	4	C
13	271810062-0001	Start control switch	1	A



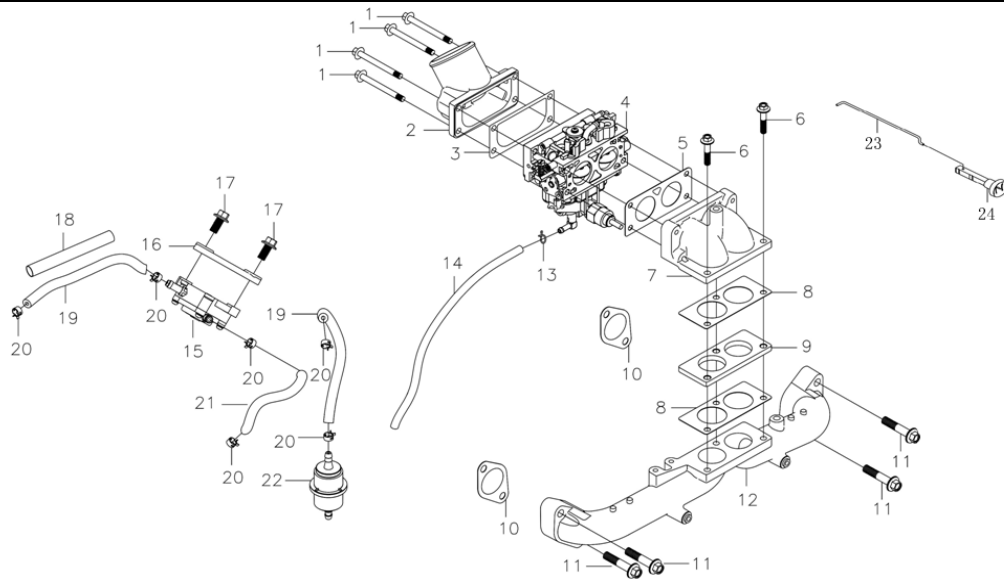
磁电机转子、风扇罩 (FLYWHEEL)

序号	零部件件号	Description	数量	易损属性
No.	Part No.		Reqd. QTY	CONSUMABLE GRAD
14	271340084-0001	Ignition switch key	1	A
15	380020086-0001	Hexagon shaft shoulder bolt	1	C
16	270920466-0001	COIL ASSY.,IGNNTION	1	A
17	270920465-0001	COIL ASSY.,IGNNTION	1	A
18	380140054-0003	Hexagon bolt with flange	4	C
19	160010110-0001	Heat sink Part	1	B
20	380960223-0001	Clip combination	4	A



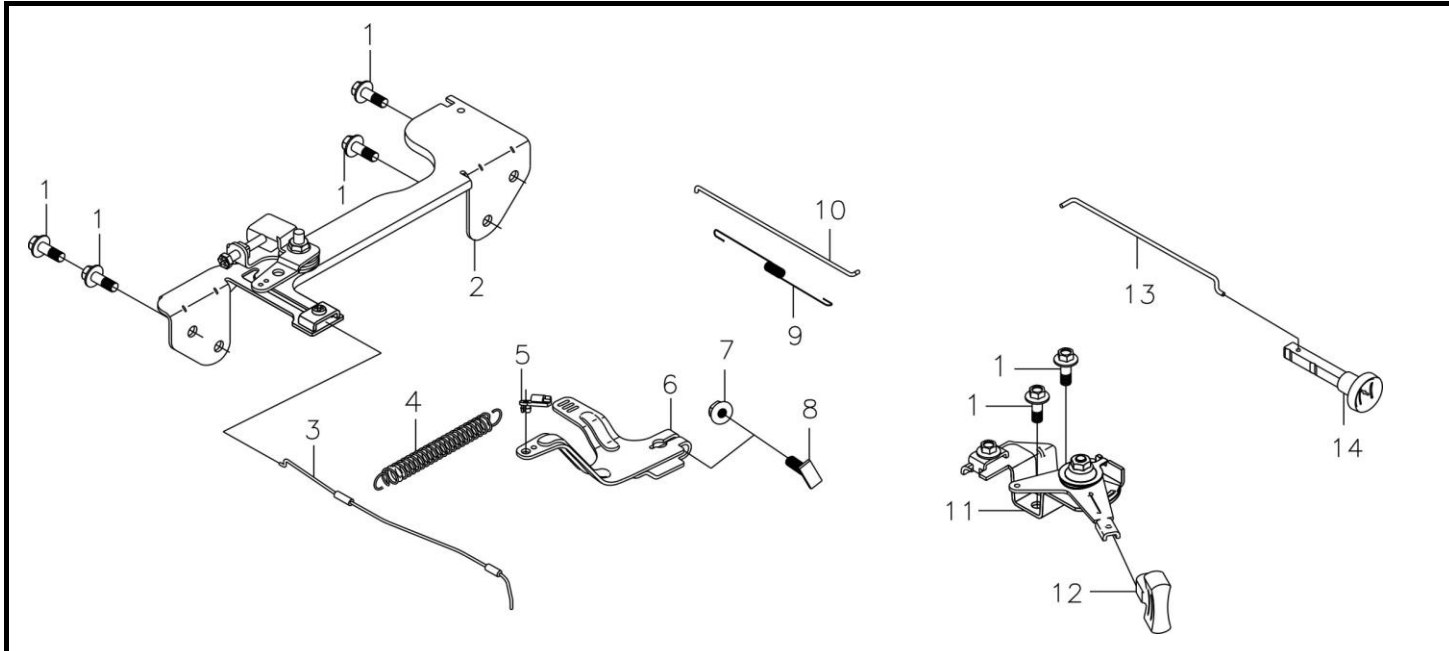
化油器 (CARBURETOR)

序号	零部件件号	Description	数量	易损属性
No.	Part No.		Reqd. QTY	CONSUMABLE GRAD
1	380140375-0001	Hexagon bolt with flange	4	C
2	180280130-0001	Air filter seat	1	B
3	170430192-0001	Carburetor gasket	1	A
4	170021972-0003	Carburetor	1	B
5	170430191-0001	Carburetor gasket	1	A
6	380140054-0003	Hexagon bolt with flange	2	C
7	180420661-0001	Intake pipe	1	C
8	170430190-0001	Carburetor gasket	2	A
9	170440101-0001	Heat insulating pad for carburetor	1	B
10	170430210-0001	Carburetor gasket	2	A
11	380140051-0005	Hexagon bolt with flange	4	C
12	180420749-0001	Intake pipe	1	C
13	380950188-0001	Pipe clip	1	A



化油器 (CARBURETOR)

序号	零部件件号	Description	数量	易损属性
No.	Part No.		Reqd. QTY	CONSUMABLE GRAD
14	380750942-0001	Oil tube	1	A
15	170460031-0001	Gasoline pump	1	B
16	174680002-0001	COVER,FUEL PUMP	1	C
17	380140103-0004	Hexagon bolt with flange	2	B
18	380770292-0001	Protective sleeve	1	A
19	380750381-0001	Oil tube	2	A
20	380960120-0004	Clip combination	6	A
21	380741320-0001	Breather tube	1	A
22	170010045-0001	Fuel filter	1	A
23	171650045-0001	Choke valve pull rod	1	B
24	172920012-0001	Choke valve handle combination	1	B



调速控制 (CONTROL)

序号	零部件件号	Description	数量	易损属性
No.	Part No.		Reqd. QTY	CONSUMABLE GRAD
1	380140067-0003	Hexagon bolt with flange	6	C
2	171730073-0001	Support plate for speed regulating	1	C
3	171210615-0001	Throttle cable	1	A
4	171600127-0001	Governing spring	1	A
5	175030002-0001	Throttle locker	1	A
6	171620051-0002	Speed regulating bracket	1	C
7	380370066-0002	Hexagon nut with flange	1	C
8	380250003-0002	Square head set screw with flat point	1	C
9	171610039-0001	throttle return spring	1	A
10	171590042-0001	Throttle rod	1	B
11	171680183-0001	Throttle handle combination	1	B
12	173710005-0001	Throttle handle Rubber sleeve	1	A
13	171650045-0001	Choke valve pull rod	1	B
14	172920012-0001	Choke valve handle combination	1	B



