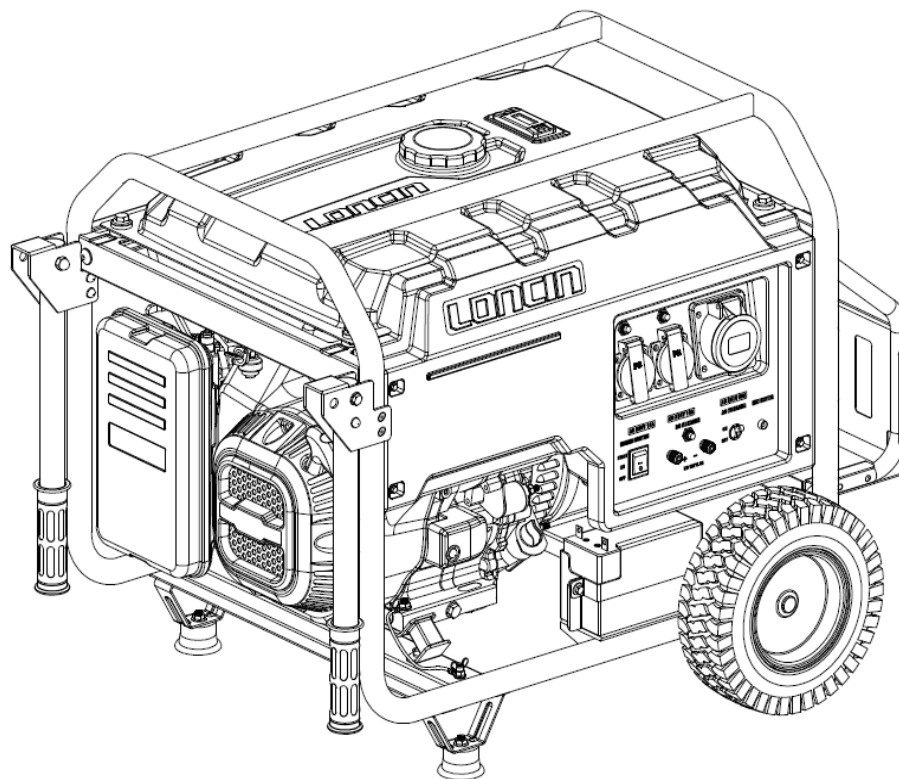


LONCIN

发电机组零部件图册

DRAWING OF GENERATOR

LC8000D-AS



隆鑫通用动力股份有限公司通机本部
LONCIN MOTOR CO., LTD. General Purpose Engine Division

。(Note vulnerable properties: Refers to the degree of wear and tear in the day-to-day operation of the correct use of this part which according

机型Model:LC8000D-AS

成品编码
Code Number: T57F-00013-002-012

版本号: 2014-1

动力 (ENGINE)

序号 Ser.No	零部件编号 Part No.		数量 Reqd. QTY	单位 UNIT	易损属性 CONSUMABLE GRADE
1	T121-00173-004-003	ENGINE	1	件/PIECES	B
2	380140332-0001	BOLT, FLANGE M5*10	1	件/PIECES	C
3	660040006-0001	COVER, DUST	1	件/PIECES	B
4	380140001-0006	BOLT, FLANGE M6*12	1	件/PIECES	C
5	300710058-0001	BRACKET, AIR CLEARER	1	件/PIECES	C

气缸头 (CYLINDER HEAD)

序号 Ser.No	零部件编号 Part No.		数量 Reqd. QTY	单位 UNIT	易损属性 CONSUMABLE GRADE
1	120080338-0001	CYLINDER HEAD COMP	1	件/PIECES	B
2	120420011-0001	BOLT, COVER COMP. HEAD	1	套/SETS	C
3	120220009-0001	COVER COMP. HEAD	1	件/PIECES	C
4	380180096-0001	BOLT, STUD, INTAKE	2	件/PIECES	C
5	380180098-0001	BOLT, STUD, EXHAUST	2	件/PIECES	C
6	270960014-0001	SPARK PLUG	1	件/PIECES	A
7	380840425-0001	SEAL RING	1	件/PIECES	A
8	120150141-0001	GASKET, CYLINDER	1	件/PIECES	A
9	380140337-0001	BOLT, FLANGE	4	件/PIECES	C
10	380740461-0001	TUBE, BREATHER	1	件/PIECES	A
11	380600116-0001	PIN	2	件/PIECES	C
12	380140001-0006	BOLT, FLANGE M6×12	1	件/PIECES	C
13	160190006-0001	SHROUD	1	件/PIECES	C

曲轴箱体 (CRANKCASE)

序号 Ser.No	零部件编号 Part No.		数量 Reqd. QTY	单位 UNIT	易损属性 CONSUMABLE GRADE
1	380140215-0003	BOLT, FLANGE, 6×14	2	件/PIECES	C
2	281850152-0001	SWITCH ASSY., OIL LEVEL	1	件/PIECES	B
3	380630099-0001	BEARING, RADIAL BALL, 6202	1	件/PIECES	B
4	380450522-0001	WASHER, 8*16*1.2	1	件/PIECES	C
5	381350004-0001	PIN, LOCK, 10MM	1	件/PIECES	A
6	171630003-0001	SHAFT, GOVERNOR ARM	1	件/PIECES	B
7	380650339-0001	OIL SEAL, φ8×φ14×4	1	件/PIECES	B
8	110260024-0001	BOLT, DRAIN PLUG	2	件/PIECES	C
9	380450516-0001	WASHER	2	件/PIECES	C
10	110810220-0001	CRANKCASE	1	件/PIECES	B
11	380940346-0001	CABLE CLEAT	1	件/PIECES	B
12	380140001-0006	BOLT, FLANGE, 6×12	2	件/PIECES	C
13	281890001-0001	ALERT UNIT, OIL	1	件/PIECES	A
14	284070007-0001		1	件/PIECES	B
15	380180166-0001	BOLT, STUD, INTAKE	1	件/PIECES	C

曲轴箱盖 (CRANKCASE COVER)

序号 Ser.No	零部件编号 Part No.		数量 Reqd. QTY	单位 UNIT	易损属性 CONSUMABLE GRADE
1	110690039-0001	CAP COMP., OIL FILLER	1	套/SETS	B
2	171750004-0001	GOVERNOR ASSY.	1	件/PIECES	B
3	380630099-0001	BEARING, RADIAL BALL 6202	1	件/PIECES	B
4	380630141-0002	BEARING, RADIAL BALL 6207	1	件/PIECES	B
5	380600119-0001	PIN, DOWEL 8×12	2	件/PIECES	C
6	110830008-0001	PACKING, CASE COVER	1	件/PIECES	A
7	380650337-0001	OIL SEAL 35×52×7	1	件/PIECES	B
8	110820012-0001	CRANKCASE COVER	1	件/PIECES	C
9	380140005-0006	BOLT, FLANGE M8×40	7	件/PIECES	C

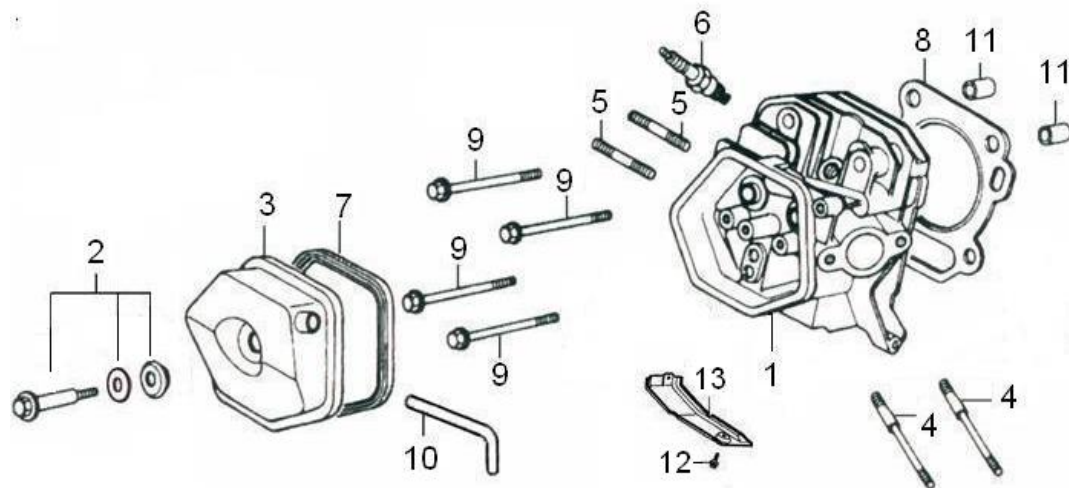
曲轴_活塞 (CRANKSHAFT_PISTON)

序号	零部件编号		数量	单位	易损属性
----	-------	--	----	----	------

Ser.No	Part No.		Reqd. QTY	UNIT	CONSUMABLE GRADE
1	130070088-0001	RING SET, PISTON	1	套/SETS	A
2	380560057-0001	CLIP, PISTON PIN	2	件/PIECES	B
3	130030103-0001	PISTON	1	件/PIECES	A
4	130060034-0001	PIN, PISTON	1	件/PIECES	C
5	130150049-0001	CONNECTING ROD ASSY	1	套/SETS	B
6	130180002-0001	BOLT, CONNECTING ROD	2	件/PIECES	C
7	130290104-0001	CRANKSHAFT ASSY	1	套/SETS	B
8	380620050-0001	KEY, SPECIAL WOODRUFF	1	件/PIECES	B
9	130450016-0001	WEIGHT, BALANCER	1	件/PIECES	B
配气系统 (ROCKER, CAMSHAFT)					
序号	零部件编号		数量	单位	易损属性
Ser.No	Part No.		Reqd. QTY	UNIT	CONSUMABLE GRADE
1	140450023-0001	ROCKER ARM ASSY.	2	套/SETS	B
2	140320002-0001	ROTATOR, VALVE	2	件/PIECES	B
3	140390015-0001	VALVE LOCKER	4	件/PIECES	B
4	140380021-0001	RETAINER, EX. VALVE SPRING	2	件/PIECES	B
5	140340025-0001	SPRING, VALVE	2	件/PIECES	B
6	140360010-0001	SEAT, VALVE SPRING	1	件/PIECES	B
7	140400012-0001	SEAL, VALVE STEM	1	件/PIECES	B
8	500550032-0001	VALVE ASSY.	1	套/SETS	B
9	140710002-0001	PLATE ASSY.	1	件/PIECES	B
10	140670006-0001	PUSH ROD	2	件/PIECES	B
11	140690004-0001	LIFTER, VALVE	2	件/PIECES	B
12	140020056-0001	CAMSHAFT ASSY.	1	件/PIECES	B
启动器 (STARTER)					
序号	零部件编号		数量	单位	易损属性
Ser.No	Part No.		Reqd. QTY	UNIT	CONSUMABLE GRADE
1	193490247-0001	RECOIL STARTER COMP. (Red)	1	套/SETS	B
2	160210091-T61F	COVER COMP., FAN (Red)	1	件/PIECES	C
3	193500106-T61F	STARTER ASSY. (Red)	1	套/SETS	B
4	193560004-0002	KNOB, RECIOL STARTER (Yellow)	1	件/PIECES	B
5	193690018-T61F	DECORATE COVER, RECOIL	1	件/PIECES	B
6	380930027-0001	CLIP, WIRE HARNESS	1	件/PIECES	A
7	380140001-0006	BOLT, FLANGE	5	件/PIECES	C
转子部件 (Flywheel)					
序号	零部件图号	Description	数量	单位	易损属性
No.	Part No.		Reqd. QTY	UNIT	CONSUMABLE GRADE
2	270020073-0001	FLYWHEEL COMP.	1	件/PIECES	B
3	160180009-0001	FAN COOLING	1	件/PIECES	B
4	193590007-0001	PULLEY, STARTER	1	件/PIECES	C
5	380370050-0001	NUT SPECIAL, M16	1	件/PIECES	C
点火系统 (IGNITION COMP.)					
序号	零部件图号	Description	数量	单位	易损属性
No.	Part No.		Reqd. QTY	UNIT	CONSUMABLE GRADE
1	270920170-0001	COIL ASSY., IGNITION	1	套/SETS	A
2	270950040-0001	CAP ASSY., NOISE SUPPRESSOR	1	件/PIECES	A
3	380930027-0001	CLIP, WIRE HARNESS	1	件/PIECES	A
4	380930023-0001	GROMMET, CORD	1	件/PIECES	A
5	270190002-0001	COIL, CHARGER 50HZ	1	件/PIECES	A
6	380140024-0006	BOLT, FLANGE	2	件/PIECES	C
7	270280008-0001	HOLDER, WEIR	1	件/PIECES	C
8	380140001-0006	BOLT, FLANGE	1	件/PIECES	C
9	380140102-0004	BOLT, FLANGE	2	件/PIECES	C
化油器 (CARBURETOR)					
序号	零部件编号		数量	单位	易损属性
Ser.No	Part No.		Reqd. QTY	UNIT	CONSUMABLE GRADE
1	170021080-0003	CARBURETOR ASSY.	1	件/PIECES	B
2	172920007-0003	LEVER ASSY, CHOKE	1	件/PIECES	A
3	170430062-0001	GASKET, CARBURETOR	1	件/PIECES	A
4	170440041-0001	SPACER, CARBURETOR	1	件/PIECES	B
5	170430050-0001	GASKET, CARBURETOR	1	件/PIECES	A
6	170430070-0001	GASKET, CARBURETOR	1	件/PIECES	A
7	380750245-0001	TUBE, FUEL	1	件/PIECES	A

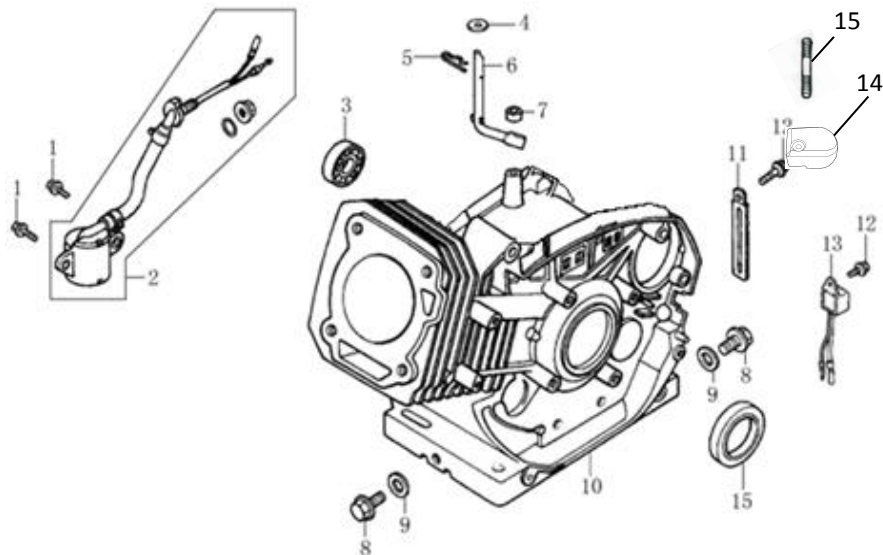
8	380950188-0001	CLAMP	2	件/PIECES	A
空滤器 (Air cleaner)					
序号	零部件号	Description	数量	单位	易损属性
No.	Part No.		Reqd. QTY	UNIT	CONSUMABLE GRADE
1	180170011-0001	CLIP A, AIR CLEANER WIRE	2	件/PIECES	B
2	180070088-0001	COVER, AIR CLEANER	1	件/PIECES	B
3	180130121-0001	ELEMENT, AIR CLEANER	1	件/PIECES	A
4	180130118-0001	ELEMENT, AIR CLEANER	1	件/PIECES	A
5	180100036-0001	ELEMENT, AIR CLEANER ASSY.	1	件/PIECES	A
6	180330021-0001	SEPARATOR, AIR CLEANER	1	件/PIECES	B
7	380840434-0001	SEAL, AIR CLEANER	1	件/PIECES	A
8	180280006-0001	CASE COMP., AIR CLEANER	1	件/PIECES	B
9	180020318-0001	AIR CLEANER	1	套/SETS	B
10	380370048-0001	NUT, FLANGE	2	件/PIECES	C
调速控制 (CONTROL)					
序号	零部件编号		数量	单位	易损属性
Ser.No	Part No.		Reqd. QTY	UNIT	CONSUMABLE GRADE
1	171680100-0001	CONTROL ASSY.	1	套/SETS	B
2	380140001-0006	BOLT, FLANGE, 6×12	3	件/PIECES	C
3	171600016-0001	SPRING, GOVERNOR A	1	件/PIECES	A
4	171610001-0001	SPRING, GOVERNOR B	1	件/PIECES	A
5	171590005-0001	ROD, GOVERNOR	1	件/PIECES	B
6	380370066-0001	NUT, FLANGE, M6	1	件/PIECES	C
7	380250002-0001	BOLT, GOVERNOR ARM	1	件/PIECES	C
8	171620003-0001	ARM, GOVERNOR	1	件/PIECES	C
消声器 (MUFFLER)					
序号	零部件编号		数量	单位	易损属性
Ser.No	Part No.		Reqd. QTY	UNIT	CONSUMABLE GRADE
1	180650090-0001	GASKET, EXHAUST, CYLINDER	1	件/PIECES	A
2	380340005-0005	NET, M8	1	件/PIECES	C
3	380140091-0005	BOLT, FLANGE, 8×25	1	件/PIECES	C
4	180590231-0001	PIPE	1	件/PIECES	C
5	180660049-0001	GASKET, EX., PIPE	1	件/PIECES	A
6	180571832-0001	MUFFLER	1	件/PIECES	B
7	180990078-0001	STAY COMP., MUFFLER	1	件/PIECES	C
8	380140040-0005	BOLT, FLANGE, M8×16	3	件/PIECES	C
9	380140001-0006	BOLT, FLANGE, M6×12	1	件/PIECES	C
油箱 (FUEL TANK)					
序号	零部件编号		数量	单位	易损属性
Ser.No	Part No.		Reqd. QTY	UNIT	CONSUMABLE GRADE
1	170980057-0001	FUEL VALVE	1	件/PIECES	B
2	170700050-0001	RUBBER, FUEL CUSHION	4	件/PIECES	A
3	170710014-0001	COLLAR, TANK CUSHION	4	件/PIECES	C
4	380140103-0004	BOLT, FLANGE, M6×25	4	件/PIECES	C
5	380450444-0002	WASHER, FLAT	4	件/PIECES	C
6	170720014-0001	FILTER, FUEL TANK	1	件/PIECES	A
7	170870044-0009	CAP COMP., FUEL FILLER	1	件/PIECES	B
8	281870016-0001	LABEL, FUEL METER	1	件/PIECES	B
9	380220044-0002	SCREW, FLAT, M5×12	2	件/PIECES	C
10	170740017-0001	FUEL METER	1	件/PIECES	B
11	170501013-0003	FUEL TANK	1	件/PIECES	B
12	380770188-0001	PROTECTIVE SLEEVE	1	件/PIECES	A
13	172820008-0001	RUBBER STRIP, FUEL TANK	1	件/PIECES	A
电机部件 (ALTERNATOR)					
序号	零部件编号		数量	单位	易损属性
Ser.No	Part No.		Reqd. QTY	UNIT	CONSUMABLE GRADE
1	660080347-0001	ALTERNATOR	1	套/SETS	B
2	660140001-0001	TERMINAL, VOLT CHANGE	1	件/PIECES	C
3	660120001-0001	BRUSH	1	件/PIECES	A
4	660010002-0001	HOUSING, RR	1	件/PIECES	C
5	380450515-0001	WASHER, FLAT	1	件/PIECES	C
6	380140349-0001	BOLT, FLANGE	4	件/PIECES	C
7	380140496-0001	BOLT, FLANGE,	2	件/PIECES	C

8	380070185-0001	BOLT	1	件/PIECES	C
9	660150105-0001	AVR	1	件/PIECES	A
10	660020002-0022	COVER, GENERATOR END	1	件/PIECES	C
11	380140053-0002	BOLT, FLANGE	3	件/PIECES	C
12	380140167-0002	BOLT, FLANGE	6	件/PIECES	C
13	660030002-0001	COVER, GENERATOR	1	件/PIECES	C
14	660070001-0001		1	件/PIECES	C
机架 (FRAME)					
序号	零部件编号		数量	单位	易损属性
Ser. No	Part No.)		Reqd. QTY	UNIT	CONSUMABLE GRADE
1	300730024-0003	FRAME RAIL	1	件/PIECES	C
2	380190191-0001	SOKET HEAD CAP SCREW	2	件/PIECES	C
3	300720399-0001	FRAME	1	件/PIECES	C
4	380370077-0001	NUT, FLANGE, M10	4	件/PIECES	C
5	300770023-0001	RUBBER , BOTTOM	1	套/SETS	B
6	380370048-0001	NUT, FLANGE, M6	4	件/PIECES	C
7	271170023-0003	PLATE, BATTERY SETTING	1	件/PIECES	C
8	300770005-0001	RUBBER , BOTTOM	4	件/PIECES	A
9	380140215-0003	BOLT, FLANGE, M6*14	3	件/PIECES	C
10	380370007-0004	NUT, FLANGE, M8	4	件/PIECES	C
11	380140102-0004	BOLT, FLANGE, M6*20	1	件/PIECES	C
12	380490022-0002	WASHING, LOCK	1	件/PIECES	C
13	272980009-0001	GROUND LINE	1	件/PIECES	A
14	380450531-0001	WASHING	1	件/PIECES	C
15	380440003-0001	NUT	1	件/PIECES	C
16	170700051-0001	RUBBER TANK CUSHION	2	件/PIECES	A
17	303070041-0001	FRAME SHEET GUARD	1	件/PIECES	C
18	303480002-0001		2	件/PIECES	C
控制面部件 (COTROL PANEL ASSY.)					
序号	零部件编号		数量	单位	易损属性
Ser. No	Part No.		Reqd. QTY	UNIT	CONSUMABLE GRADE
1	271851435-0002	COTROL PANEL ASSY.	1	套/SETS	B
2	271810011-0001	ENGINE SWITCH	1	件/PIECES	A
3	271890001-0001	SOCKET	2	件/PIECES	B
4	271290055-0001	CIRCUIT BRERKER	2	件/PIECES	A
5	271290024-0001	CIRCUIT BRERKER	1	件/PIECES	A
6	272080001-0001	POST , ARODE	1	件/PIECES	C
7	272090001-0001	POST , CATHODE	1	件/PIECES	C
8	271290121-0001	CIRCUIT BRERKER	1	件/PIECES	A
9	283730004-0001	LAMP	1	件/PIECES	A
10	271890025-0001	SOCKET	1	件/PIECES	B
11	271860138-T57F	PANEL	1	件/PIECES	C
12	271970014-0001	PANEL BACK COVER	1	件/PIECES	B
13	380370047-0003	NUT	4	件/PIECES	C
14	380450526-0001	WASHER	4	件/PIECES	C
15	380140215-0003	NUT	4	件/PIECES	C
16	271880005-0001	PLUG	2	件/PIECES	B
起动机 (STARTER MOTOR)					
序号	零部件编号		数量	单位	易损属性
Ser. No	Part No.)		Reqd. QTY	UNIT	CONSUMABLE GRADE
1	270360019-0001	STARTER MOTOR	1	套/SETS	B
2	380140102-0004	BOLT , FLANGE	2	件/PIECES	C
3	270810094-0001	CONTACTER COMP	1	件/PIECES	B
4	380140053-0002	BOLT-WASHER	2	件/PIECES	C
蓄电池组件 (BATTERY TRAY)					
序号	零部件编号		数量	单位	易损属性
Ser. No	Part No.)		Reqd. QTY	UNIT	CONSUMABLE GRADE
1	271270026-0001	BATTERY WIRE	1	套/SETS	A
2	271060220-0001	BATTERY 9AH	1	件/PIECES	B
3	271170023-0003	POLE, BATTERY	1	件/PIECES	C



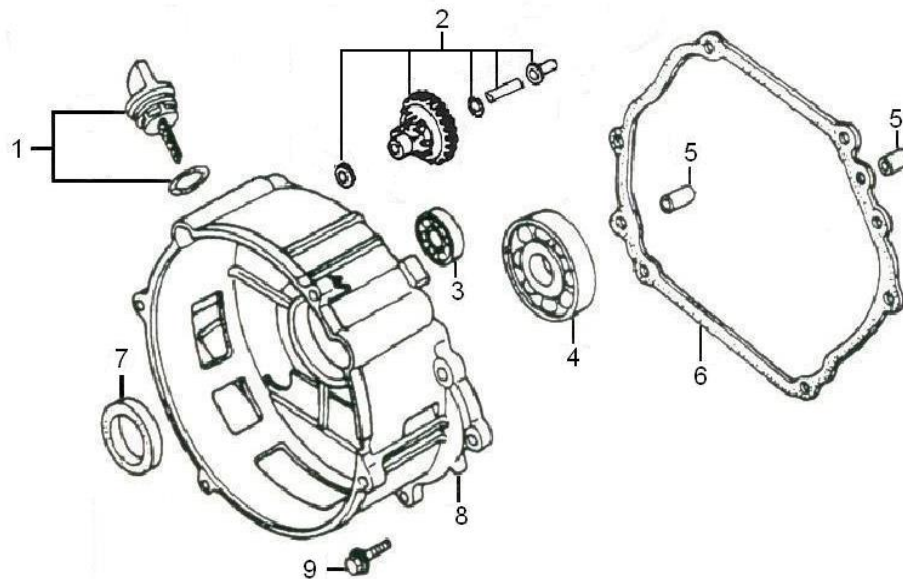
气缸头 (CYLINDER HEAD)

序号	零部件编号		数量	单位	易损属性
Ser.No	Part No.		Reqd. QTY	UNIT	CONSUMABLE GRADE
1	120080338-0001	CYLINDER HEAD COMP	1	件/PIECES	B
2	120420011-0001	BOLT, COVER COMP. HEAD	1	套/SETS	C
3	120220009-0001	COVER COMP. HEAD	1	件/PIECES	C
4	380180096-0001	BOLT, STUD, INTAKE	2	件/PIECES	C
5	380180098-0001	BOLT, STUD, EXHAUST	2	件/PIECES	C
6	270960014-0001	SPARK PLUG	1	件/PIECES	A
7	380840425-0001	SEAL RING	1	件/PIECES	A
8	120150141-0001	GASKET, CYLINDER	1	件/PIECES	A
9	380140337-0001	BOLT, FLANGE	4	件/PIECES	C
10	380740461-0001	TUBE, BREATHER	1	件/PIECES	A
11	380600116-0001	PIN	2	件/PIECES	C
12	380140001-0006	BOLT, FLANGE M6×12	1	件/PIECES	C
13	160190006-0001	SHROUD	1	件/PIECES	C



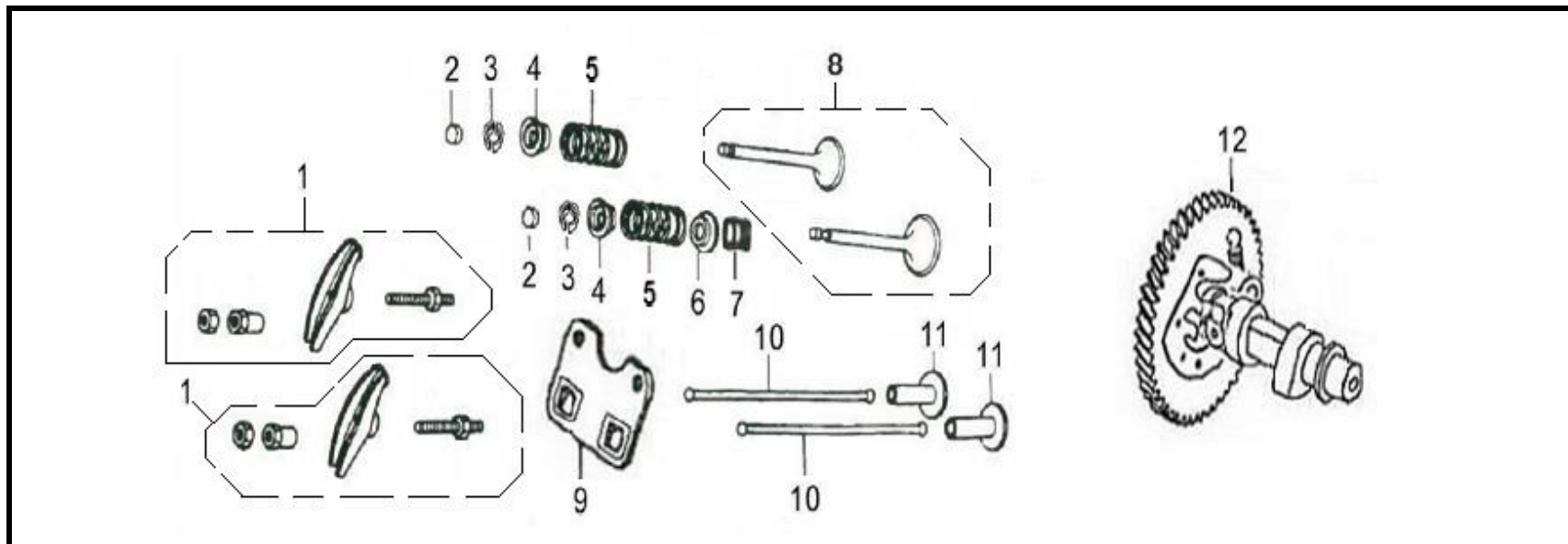
曲轴箱体 (CRANKCASE)

序号	零部件编号		数量	单位	易损属性
Ser.No	Part No.		Reqd. QTY	UNIT	CONSUMABLE GRADE
1	380140215-0003	BOLT, FLANGE, 6×14	2	件/PIECES	C
2	281850152-0001	SWITCH ASSY., OIL LEVEL	1	件/PIECES	B
3	380630099-0001	BEARING, RADIAL BALL, 6202	1	件/PIECES	B
4	380450522-0001	WASHER, 8*16*1.2	1	件/PIECES	C
5	381350004-0001	PIN, LOCK, 10MM	1	件/PIECES	A
6	171630003-0001	SHAFT, GOVERNOR ARM	1	件/PIECES	B
7	380650339-0001	OIL SEAL, $\phi 8 \times \phi 14 \times 4$	1	件/PIECES	B
8	110260024-0001	BOLT, DRAIN PLUG	2	件/PIECES	C
9	380450516-0001	WASHER	2	件/PIECES	C
10	110810220-0001	CRANKCASE	1	件/PIECES	B
11	380940346-0001	CABLE CLEAT	1	件/PIECES	B
12	380140001-0006	BOLT, FLANGE, 6×12	2	件/PIECES	C
13	281890001-0001	ALERT UNIT, OIL	1	件/PIECES	A
14	284070007-0001		1	件/PIECES	B
15	380180166-0001	BOLT, STUD, INTAKE	1	件/PIECES	C



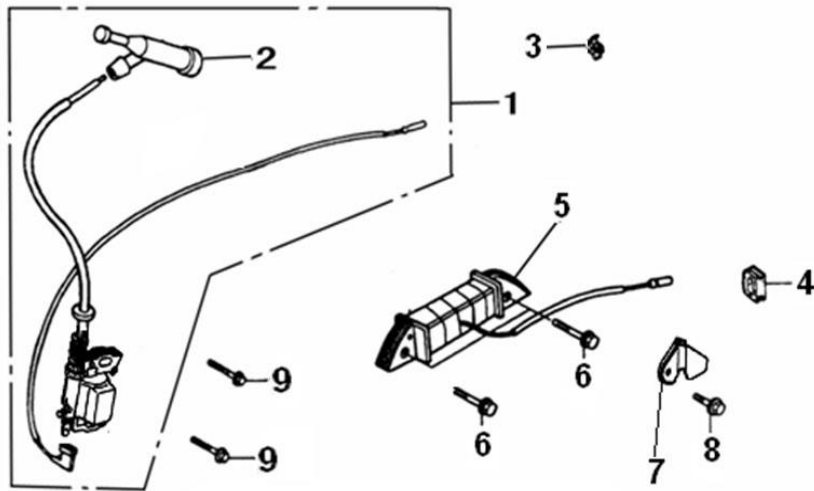
曲轴箱盖 (CRANKCASE COVER)

序号	零部件编号	数量	单位	易损属性	
Ser.No	Part No.	Reqd. QTY	UNIT	CONSUMABLE GRADE	
1	110690039-0001	CAP COMP., OIL FILLER	1	套/SETS	B
2	171750004-0001	GOVERNOR ASSY.	1	件/PIECES	B
3	380630099-0001	BEARING, RADIAL BALL 6202	1	件/PIECES	B
4	380630141-0002	BEARING, RADIAL BALL 6207	1	件/PIECES	B
5	380600119-0001	PIN, DOWEL 8×12	2	件/PIECES	C
6	110830008-0001	PACKING, CASE COVER	1	件/PIECES	A
7	380650337-0001	OIL SEAL 35×52×7	1	件/PIECES	B
8	110820012-0001	CRANKCASE COVER	1	件/PIECES	C
9	380140005-0006	BOLT, FLANGE M8×40	7	件/PIECES	C



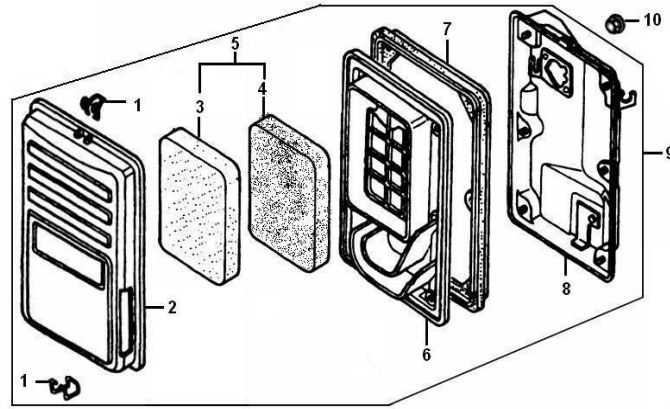
配气系统 (ROCKER, CAMSHAFT)

序号	零部件编号		数量	单位	易损属性
Ser.No	Part No.		Reqd. QTY	UNIT	CONSUMABLE GRADE
1	140450023-0001	ROCKER ARM ASSY.	2	套/SETS	B
2	140320002-0001	ROTATOR, VALVE	2	件/PIECES	B
3	140390015-0001	VALVE LOCKER	4	件/PIECES	B
4	140380021-0001	RETAINER, EX. VALVE SPRING	2	件/PIECES	B
5	140340025-0001	SPRING, VALVE	2	件/PIECES	B
6	140360010-0001	SEAT, VALVE SPRING	1	件/PIECES	B
7	140400012-0001	SEAL, VALVE STEM	1	件/PIECES	B
8	500550032-0001	VALVE ASSY.	1	套/SETS	B
9	140710002-0001	PLATE ASSY.	1	件/PIECES	B
10	140670006-0001	PUSH ROD	2	件/PIECES	B
11	140690004-0001	LIFTER, VALVE	2	件/PIECES	B
12	140020056-0001	CAMSHAFT ASSY.	1	件/PIECES	B



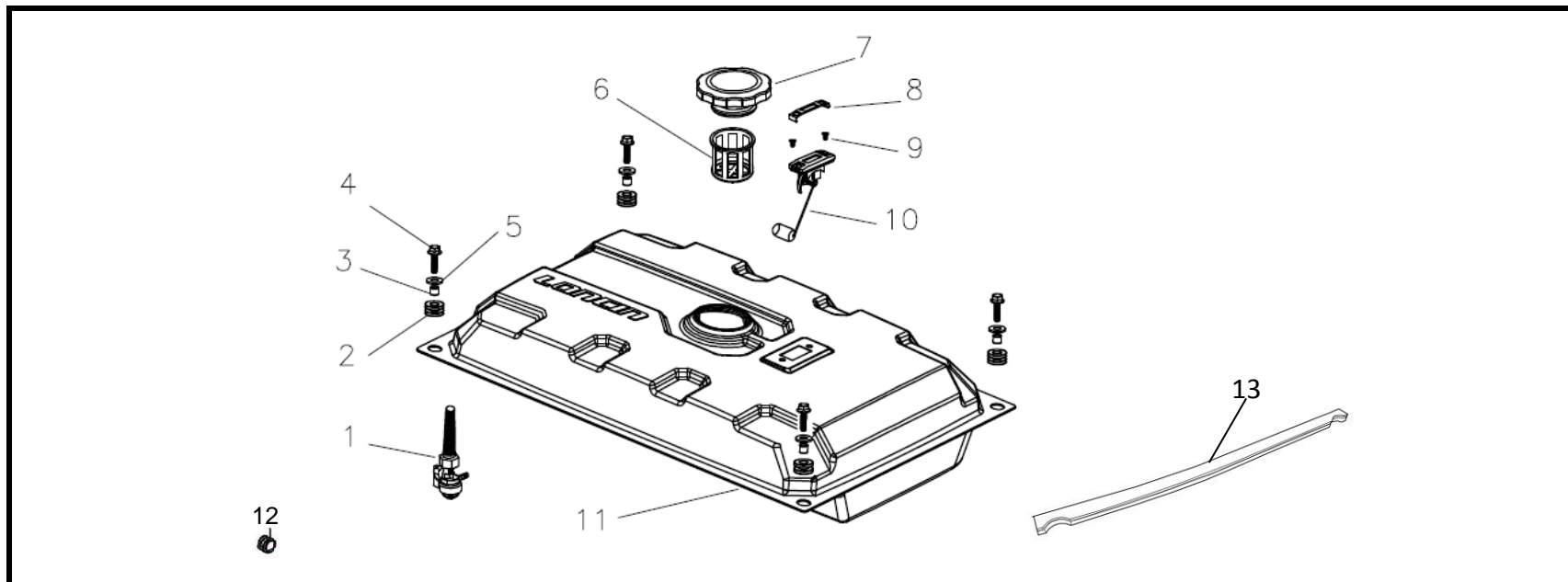
点火系统 (IGNITION COMP.)

序号	零部件图号	Description	数量	单位	易损属性
No.	Part No.		Reqd. QTY	UNIT	CONSUMABLE GRADE
1	270920170-0001	COIL ASSY., IGNITION	1	套/SETS	A
2	270950040-0001	CAP ASSY., NOISE SUPPRESSOR	1	件/PIECES	A
3	380930027-0001	CLIP, WIRE HARNESS	1	件/PIECES	A
4	380930023-0001	GROMMET, CORD	1	件/PIECES	A
5	270190002-0001	COIL, CHARGER 50HZ	1	件/PIECES	A
6	380140024-0006	BOLT, FLANGE	2	件/PIECES	C
7	270280008-0001	HOLDER, WEIR	1	件/PIECES	C
8	380140001-0006	BOLT, FLANGE	1	件/PIECES	C
9	380140102-0004	BOLT, FLANGE	2	件/PIECES	C



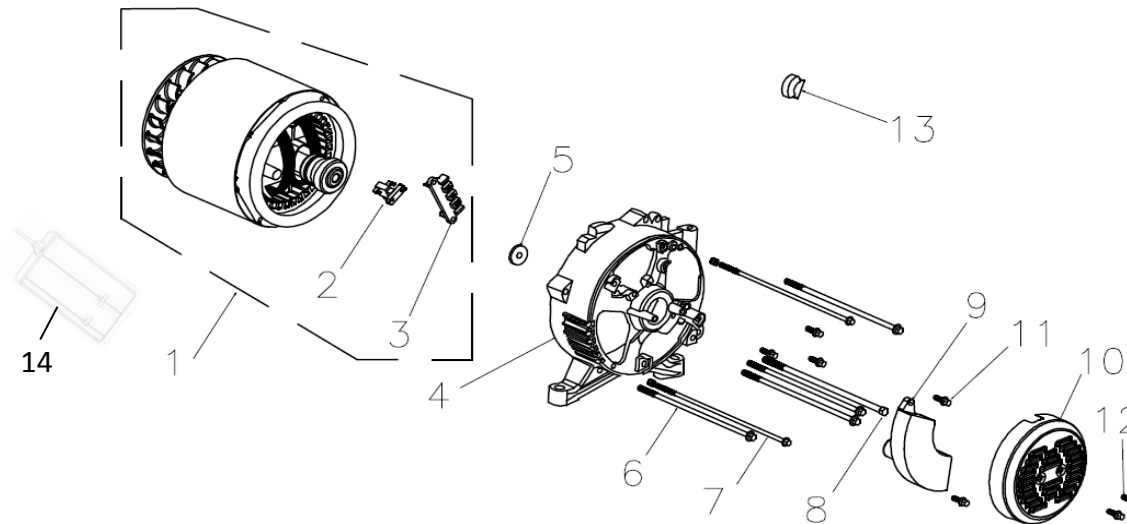
空滤器 (Air cleaner)

序号	零部件件号	Description	数量	单位	易损属性
No.	Part No.		Reqd. QTY	UNIT	CONSUMABLE GRADE
1	180170011-0001	CLIP A, AIR CLEANER WIRE	2	件/PIECES	B
2	180070088-0001	COVER, AIR CLEANER	1	件/PIECES	B
3	180130121-0001	ELEMENT, AIR CLEANER	1	件/PIECES	A
4	180130118-0001	ELEMENT, AIR CLEANER	1	件/PIECES	A
5	180100036-0001	ELEMENT, AIR CLEANER ASSY.	1	件/PIECES	A
6	180330021-0001	SEPARATOR, AIR CLEANER	1	件/PIECES	B
7	380840434-0001	SEAL, AIR CLEANER	1	件/PIECES	A
8	180280006-0001	CASE COMP., AIR CLEANER	1	件/PIECES	B
9	180020318-0001	AIR CLEANER	1	套/SETS	B
10	380370048-0001	NUT, FLANGE	2	件/PIECES	C



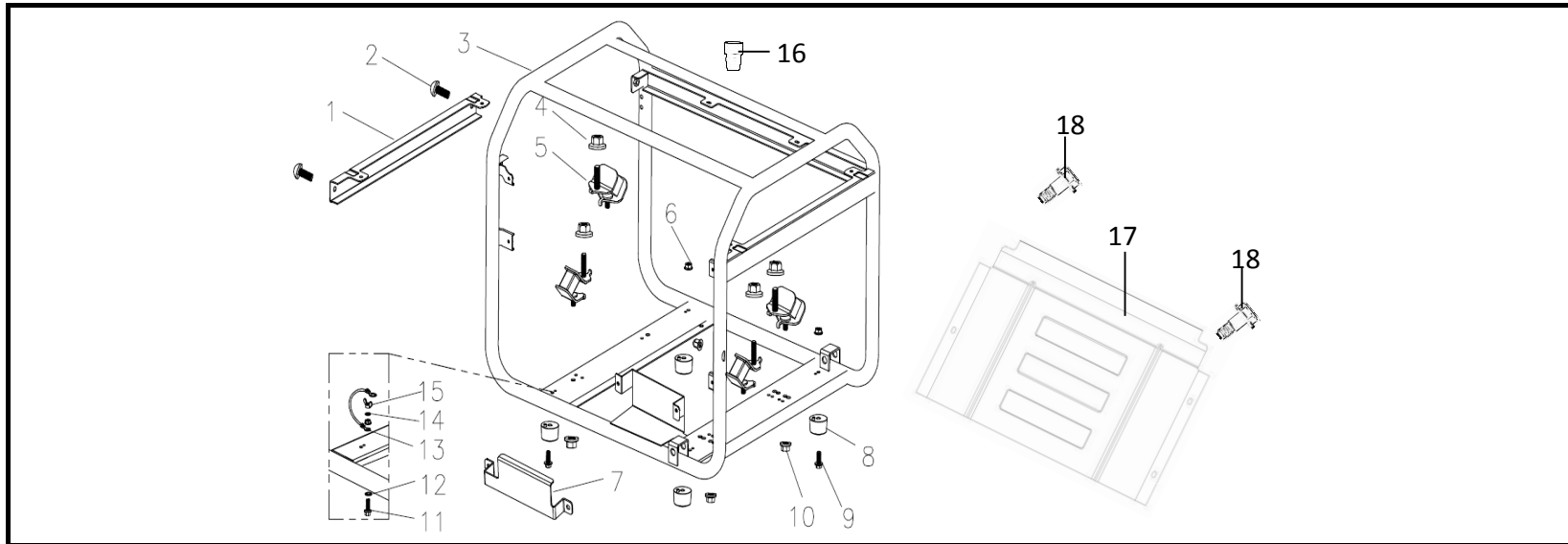
油箱 (FUEL TANK)

序号	零部件编号		数量	单位	易损属性
Ser. No	Part No.		Reqd. QTY	UNIT	CONSUMABLE GRADE
1	170980057-0001	FUEL VALVE	1	件/PIECES	B
2	170700050-0001	RUBBER, FUEL CUSHION	4	件/PIECES	A
3	170710014-0001	COLLAR, TANK CUSHION	4	件/PIECES	C
4	380140103-0004	BOLT, FLANGE, M6×25	4	件/PIECES	C
5	380450444-0002	WASHER, FLAT	4	件/PIECES	C
6	170720014-0001	FILTER, FUEL TANK	1	件/PIECES	A
7	170870044-0009	CAP COMP., FUEL FILLER	1	件/PIECES	B
8	281870016-0001	LABEL, FUEL METER	1	件/PIECES	B
9	380220044-0002	SCREW, FLAT, M5×12	2	件/PIECES	C
10	170740017-0001	FUEL METER	1	件/PIECES	B
11	170501013-0003	FUEL TANK	1	件/PIECES	B
12	380770188-0001	PROTECTIVE SLEEVE	1	件/PIECES	A
13	172820008-0001	RUBBER STRIP, FUEL TANK	1	件/PIECES	A



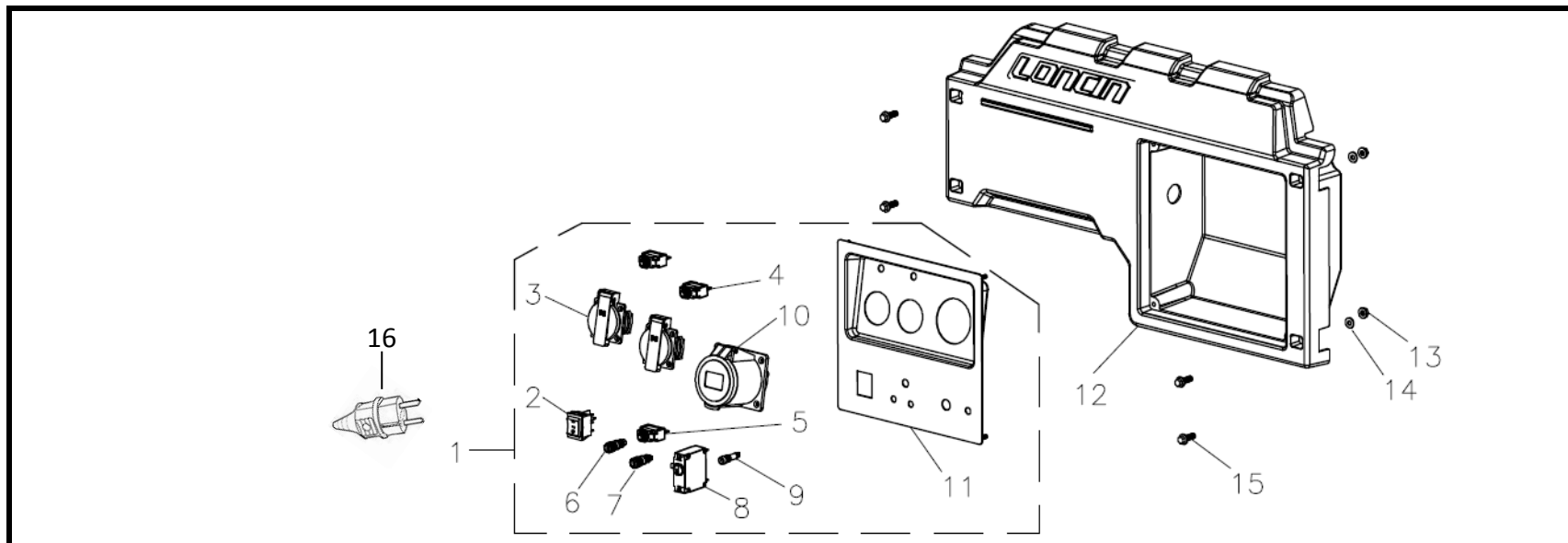
电机部件 (ALTERNATOR)

序号	零部件编号		数量	单位	易损属性
Ser.No	Part No.		Reqd. QTY	UNIT	CONSUMABLE GRADE
1	660080347-0001	ALTERNATOR	1	套/SETS	B
2	660140001-0001	TERMINAL, VOLT CHANGE	1	件/PIECES	C
3	660120001-0001	BRUSH	1	件/PIECES	A
4	660010002-0001	HOUSING, RR	1	件/PIECES	C
5	380450515-0001	WASHER, FLAT	1	件/PIECES	C
6	380140349-0001	BOLT, FLANGE	4	件/PIECES	C
7	380140496-0001	BOLT, FLANGE,	2	件/PIECES	C
8	380070185-0001	BOLT	1	件/PIECES	C
9	660150105-0001	AVR	1	件/PIECES	A
10	660020002-0022	COVER, GENERATOR END	1	件/PIECES	C
11	380140053-0002	BOLT, FLANGE	3	件/PIECES	C
12	380140167-0002	BOLT, FLANGE	6	件/PIECES	C
13	660030002-0001	COVER, GENERATOR	1	件/PIECES	C
14	660070001-0001		1	件/PIECES	C



机架 (FRAME)

序号	零部件编号		数量	单位	易损属性
Ser. No	Part No.)		Reqd. QTY	UNIT	CONSUMABLE GRADE
1	300730024-0003	FRAME RAIL	1	件/PIECES	C
2	380190191-0001	SOKET HEAD CAP SCREW	2	件/PIECES	C
3	300720399-0001	FRAME	1	件/PIECES	C
4	380370077-0001	NUT, FLANGE, M10	4	件/PIECES	C
5	300770023-0001	RUBBER , BOTTOM	1	套/SETS	B
6	380370048-0001	NUT, FLANGE, M6	4	件/PIECES	C
7	271170023-0003	PLATE, BATTERY SETTING	1	件/PIECES	C
8	300770005-0001	RUBBER , BOTTOM	4	件/PIECES	A
9	380140215-0003	BOLT, FLANGE, M6*14	3	件/PIECES	C
10	380370007-0004	NUT, FLANGE, M8	4	件/PIECES	C
11	380140102-0004	BOLT, FLANGE, M6*20	1	件/PIECES	C
12	380490022-0002	WASHING, LOCK	1	件/PIECES	C
13	272980009-0001	GROUND LINE	1	件/PIECES	A
14	380450531-0001	WASHING	1	件/PIECES	C
15	380440003-0001	NUT	1	件/PIECES	C
16	170700051-0001	RUBBER TANK CUSHION	2	件/PIECES	A
17	303070041-0001	FRAME SHEET GUARD	1	件/PIECES	C
18	303480002-0001		2	件/PIECES	C



控制面部件 (COTROL PANEL ASSY.)

序号	零部件编号		数量	单位	易损属性
Ser.No	Part No.		Reqd. QTY	UNIT	CONSUMABLE GRADE
1	271851435-0002	COTROL PANEL ASSY.	1	套/SETS	B
2	271810011-0001	ENGINE SWITCK	1	件/PIECES	A
3	271890001-0001	SOCKET	2	件/PIECES	B
4	271290055-0001	CIRCUIT BRERKER	2	件/PIECES	A
5	271290024-0001	CIRCUIT BRERKER	1	件/PIECES	A
6	272080001-0001	POST , ARODE	1	件/PIECES	C
7	272090001-0001	POST , CATHODE	1	件/PIECES	C
8	271290121-0001	CIRCUIT BRERKER	1	件/PIECES	A
9	283730004-0001	LAMP	1	件/PIECES	A
10	271890025-0001	SOCKET	1	件/PIECES	B
11	271860138-T57F	PANEL	1	件/PIECES	C
12	271970014-0001	PANEL BACK COVER	1	件/PIECES	B
13	380370047-0003	NUT	4	件/PIECES	C
14	380450526-0001	WASHER	4	件/PIECES	C
15	380140215-0003	NUT	4	件/PIECES	C
16	271880005-0001	PLUG	2	件/PIECES	B

