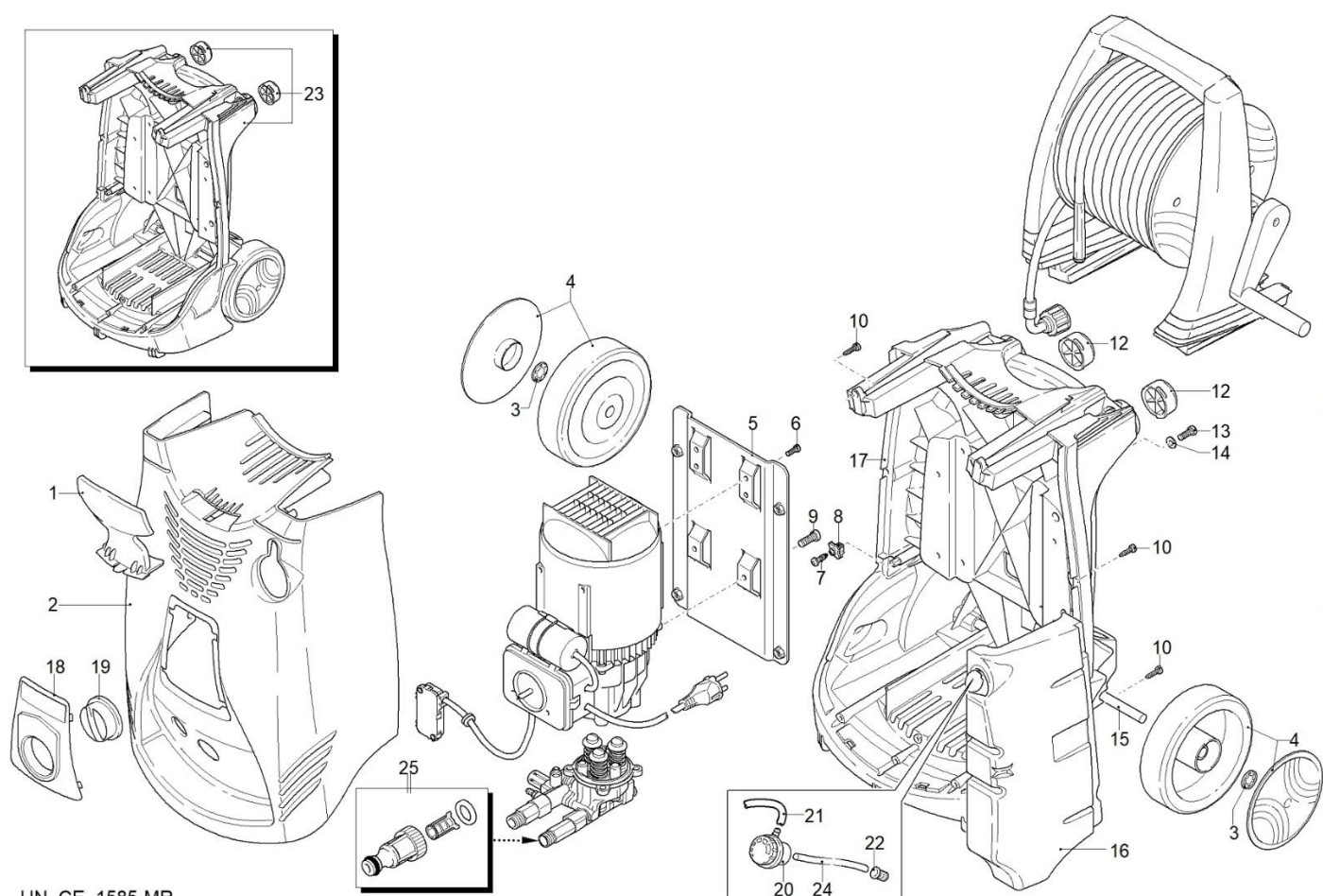




Casing  
Model MPX 160 PRM (230 V - 50 Hz)



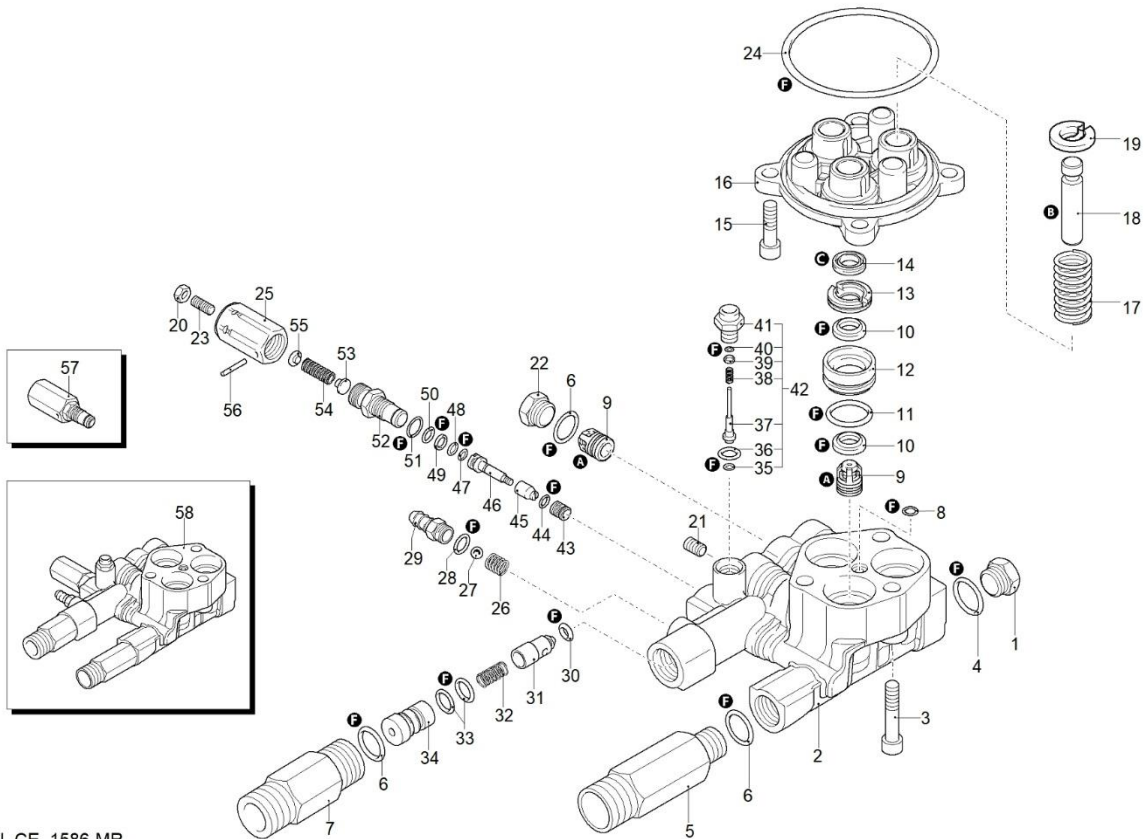
UN\_CE\_1585-MR

<b>Codice</b>	<b>Descrizione (ING)</b>				
<u>1</u>	2500050 Hook	<u>10</u>	2100300 Screw	<u>21</u>	1270960 Detergent hose
<u>2</u>	2500680 Casing	<u>12</u>	2500130 Rubber foot	<u>22</u>	2000230 Filter
<u>3</u>	1680880 Washer	<u>13</u>	880280 Screw	<u>23</u>	2509000 Base assembly
<u>4</u>	43897 Wheel	<u>14</u>	2180300 Washer	<u>24</u>	2500330 Detergent hose
<u>5</u>	2500690 Plate	<u>15</u>	2500120 Axle	<u>25</u>	3082130 Water coupling kit
<u>6</u>	2320190 Screw	<u>16</u>	2500110 Tank		
<u>7</u>	2100300 Screw	<u>17</u>	2500010 Base		
<u>8</u>	2600100 Cable gland	<u>18</u>	2500700 Support		
<u>9</u>	850370 Screw	<u>19</u>	3780071 Knob		
		<u>20</u>	42113 Plug assembly		



Pump

Model MPX 160 PRM (230 V - 50 Hz)



UN\_CE\_1586-MR

Codice	Descrizione (ING)	
1	880581 Plug	9 2849051 Complete valve
2	2901260 Head	10 2200141 Water seal
3	800220 Screw	11 770590 O-ring
4	820510 O-ring	12 2840550 Bushing
5	2500720 Fitting	13 2840540 Bushing
6	740290 O-ring	14 1683500 Oil seal
7	3780680 Fitting	15 2900500 Screw
8	480480 O-ring	16 2900020 Piston guide
		17 2901170 Spring

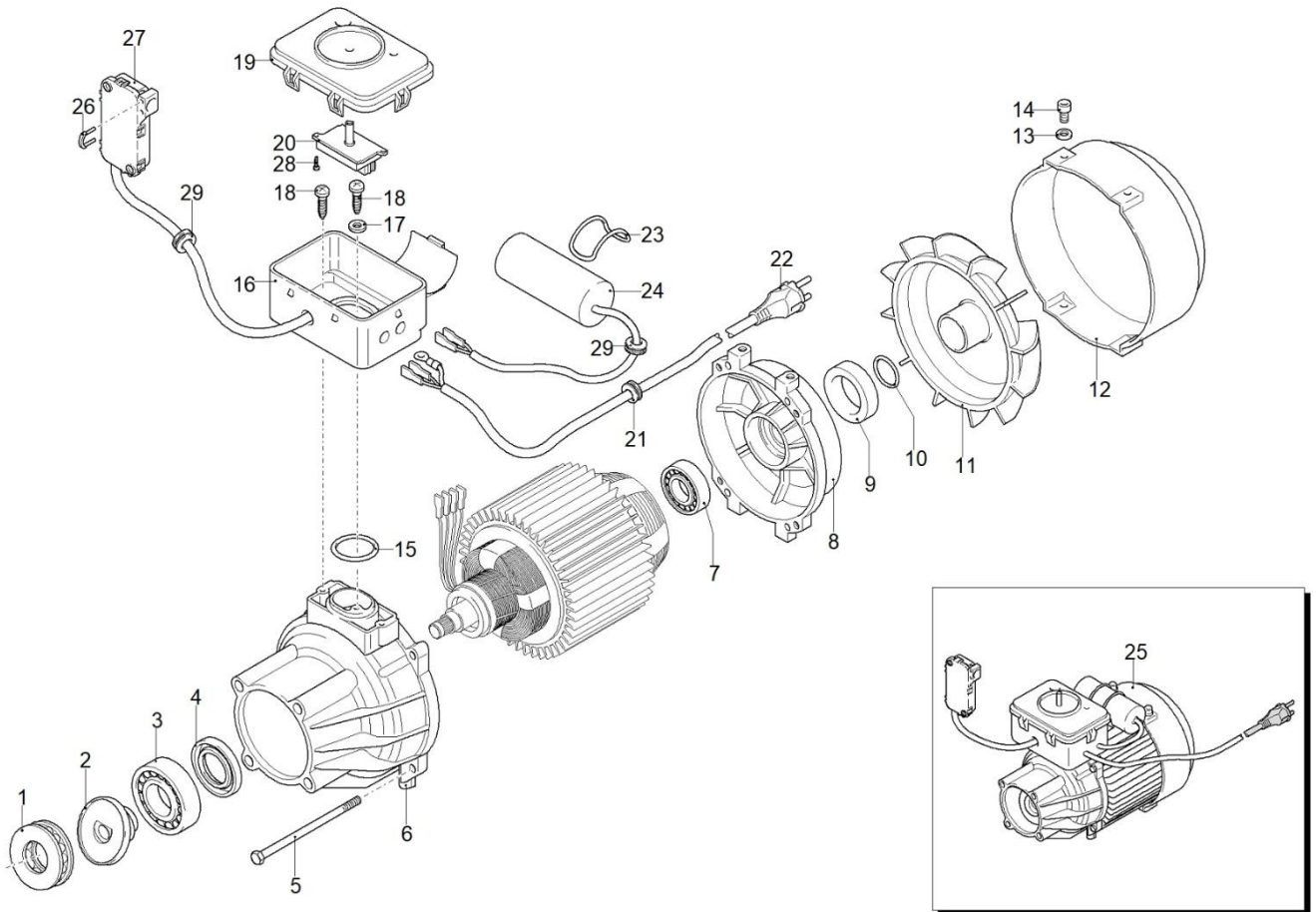


18	2840530	Piston	41	1344830	Fitting
19	2840050	Lock	42	42580	TSS Retrofit kit
20	1060120	Nut	43	2901270	Seat
21	2840470	Screw	44	600180	O-ring
22	2840130	Plug	45	1460151	Piston
23	1980470	Screw	46	2021900	Piston
24	3040270	O-ring	47	1080190	O-ring
25	1344881	Insert	48	600180	O-ring
26	1560520	Spring	49	1080401	Ring
27	1250280	Ball	50	820510	O-ring
28	480480	O-ring	51	740290	O-ring
29	1982520	Hose tail	52	1344870	Piston guide
30	1460430	O-ring	53	1343450	Wobble plate
31	2901070	Shutter	54	1460190	Spring
32	3780450	Spring	55	1980220	Wobble plate
33	800560	O-ring	56	2500550	Split pin
34	3700200	Injector	57	42709	Valve kit adjustment
35	1120680	O-ring	58	2909152	Head assembly
36	600180	O-ring	A	2233	Valve kit
37	2022040	Pin	B	2313	Piston kit
38	2021630	Spring	C	42124	Oil seal kit
39	2021650	Washer	F	42710	Gasket kit
40	1260820	O-ring			



Motor

Model MPX 160 PRM (230 V - 50 Hz)

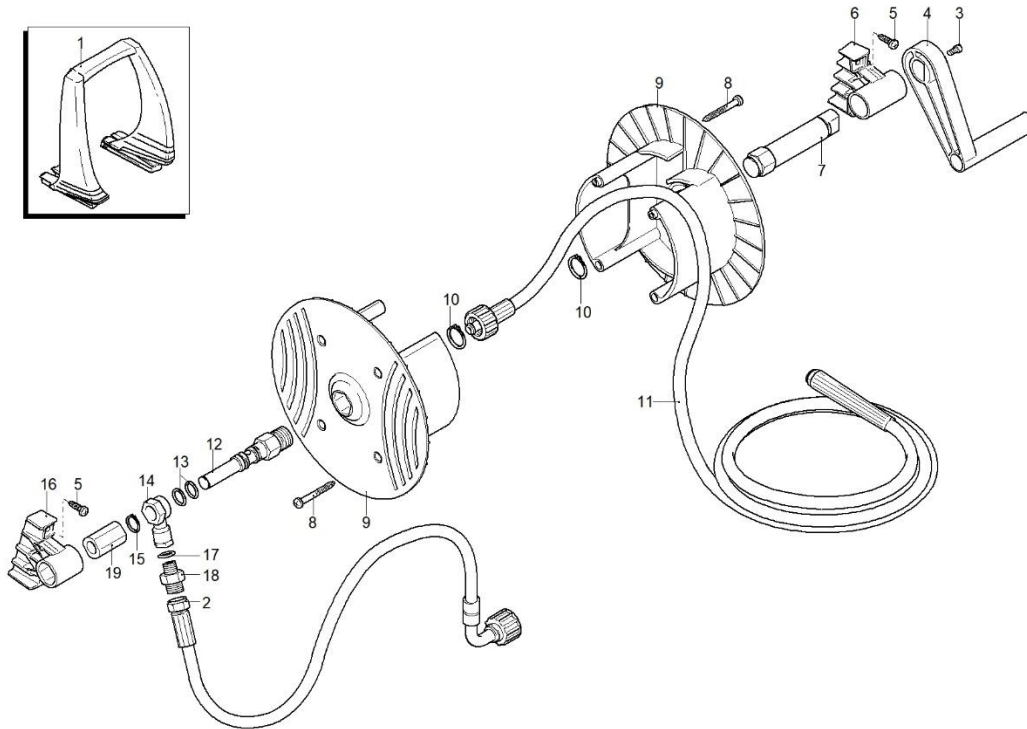


UN\_CE\_1596-MR

Codice	Descrizione (ING)							
1	2900170	Bearing	7	1460590	Bearing	15	660170	O-ring
2	2900040	Wobble plate	8	1460040	Shield	16	2320132	Box
3	1780490	Bearing	9	1461200	Oil seal	17	1262400	Washer
4	1460530	Oil seal	10	394280	O-ring	18	2020570	Screw
5	2320830	Screw	11	1460370	Fan	19	3780321	Cover
6	2900010	Pump body	12	4240520	Conveyor	20	2900420	Switch
			13	1680960	Washer	21	2021480	Gland
			14	1460460	Screw	22	3780630	Cable
			23	2320640	O-ring	24	1982190	Capacitor
			25	44905	Motor	26	2022201	Fork
			27	2029752	TSS box assembly	28	2000210	Screw
			29	1462900	Gland			



RLW Z  
Model MPX 160 PRM (230 V - 50 Hz)



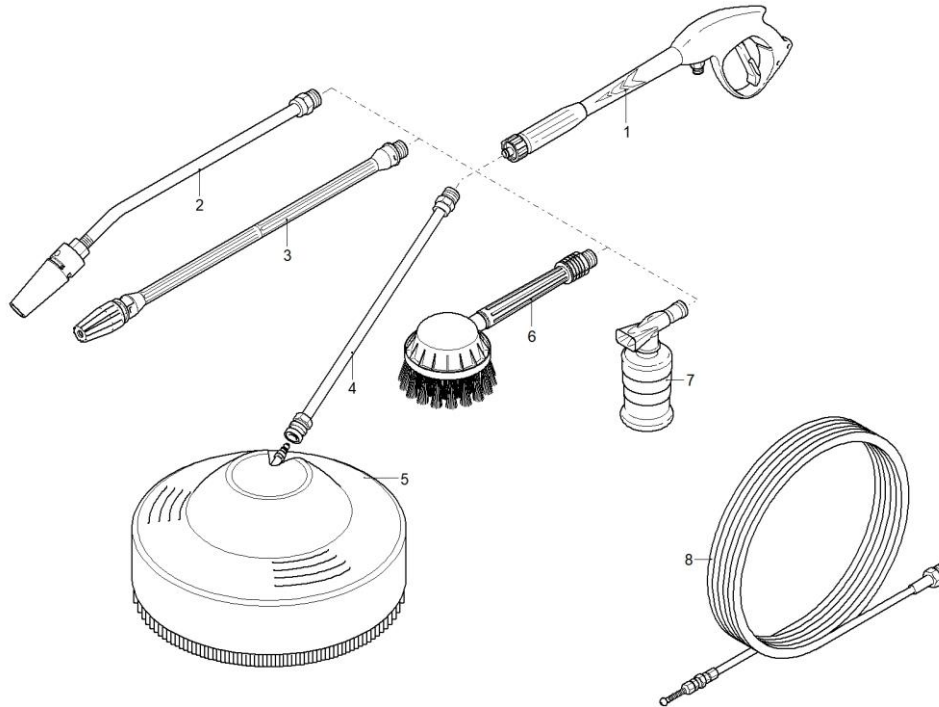
UN\_CE\_1587-MR

Codice	Descrizione (ING)	
1	2500020 Handle	11 3780441 High pressure hose
2	2500760 High pressure hose	12 2500730 Fitting
3	2360360 Screw	13 391000 O-ring
4	2360150 Lever	14 2440540 Fitting
5	2100300 Screw	15 2360320 Ring
6	2500060 Bracket	16 2500070 Bracket
7	2500360 Hub pin	17 820510 O-ring
8	1681280 Screw	18 2360310 Fitting
9	2360230 Plate	19 2500770 Bushing
10	380420 Ring	

Descrizione (ING) Prezzo



Standard accessories  
Model MPX 160 PRM (230 V - 50 Hz)



UN\_CE\_1588-MR

**Codice Descrizione (ING)**

- |   |         |                         |
|---|---------|-------------------------|
| 1 | 40925   | Gun                     |
| 2 | 41731   | Lance                   |
| 3 | 40169   | Lance+rotopower         |
| 4 | 41732   | Extension               |
| 5 | 41730   | Patio Cleaner           |
| 6 | 3082031 | Roller brush            |
| 7 | 40320   | Tank                    |
| 8 | 1345220 | Hose cleaning accessory |