

Table	Description	Updated
207	1200 series powders and granular kits	2022-02-03

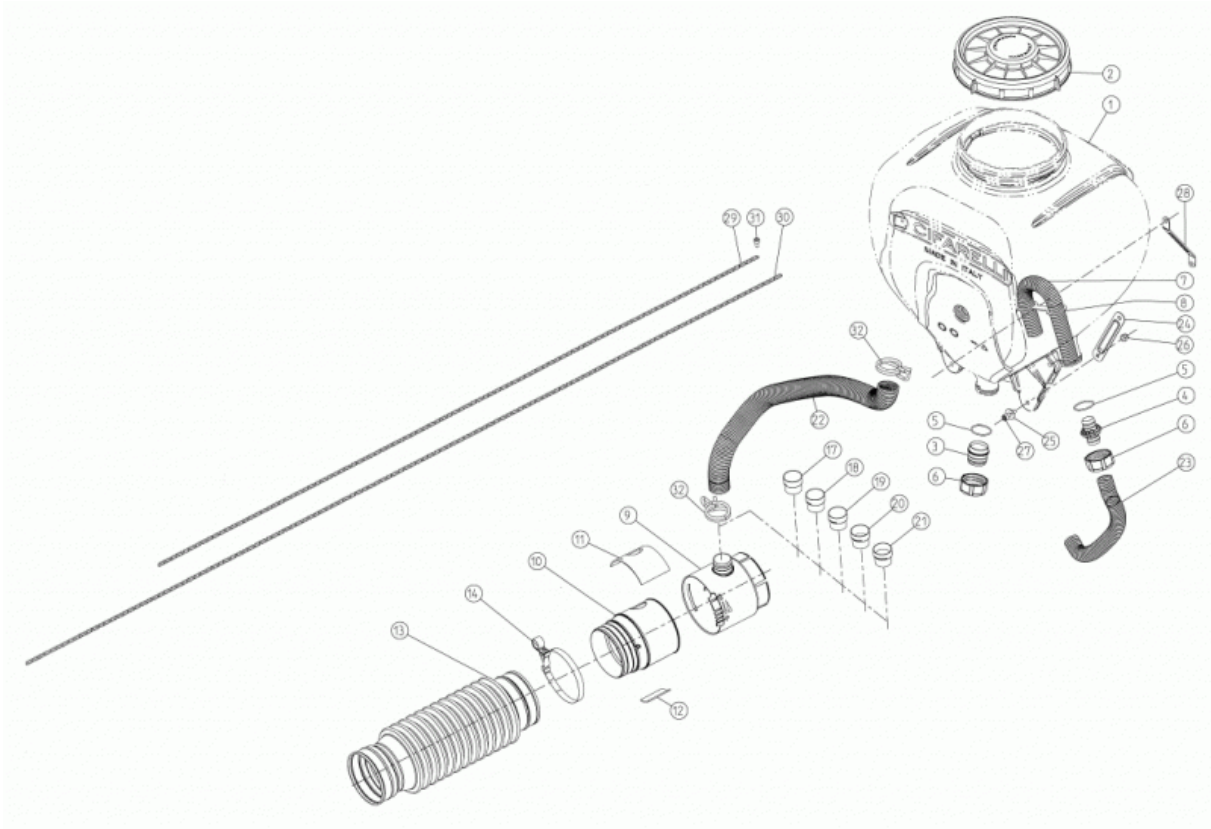


Table	Description	Updated
-------	-------------	---------

**207 1200 series powders and granular kits**

**2022-02-03**

Pos	Code	Qty	Description	Notes
1	0G37500	1	1200 series powd-granular tank with cap	Pos. 1, 2
2	2120900	1	Cap for liquid tank 2021	
3	2118000	1	Rice exit connector	
4	2116800	1	1200 Air connector for dust tank	
5	7302200	2	Ring OR 3118	
6	2114701	2	Ring nut with thread M1200 tank	
7	2117300	1	WRINKLED INTERNAL PIPE D20 FOR POWDER	
8	2117900	1	1200 DOCK WRINKLED PIPE EXIT POWDER	
9	0G37400	1	Complete powder dispenser group	Pos. 9 > 12
10	0G37400	1	Complete powder dispenser group	Pos. 9 > 12
11	2116300	1	FELT FOR POWDERS SLEEVE FOR M1200	
12	2116700	1	FELT L41 FOR POWDERS SLEEVE FOR M1200	
13	2411602	1	FLEXIBLE HOSE BLOWER 52CC	
14	6905301	1	METAL BAND 88-93.5 1 THROUGH	
17	2118100	1	Bushings for rice flow calibration	Pos. 17 > 21
18	2118100	1	Bushings for rice flow calibration	Pos. 17 > 21
19	2118100	1	Bushings for rice flow calibration	Pos. 17 > 21
20	2118100	1	Bushings for rice flow calibration	Pos. 17 > 21
21	2118100	1	Bushings for rice flow calibration	Pos. 17 > 21
22	2117200	1	WRINKLED PIPE EXIT POWDER	
23	2117400	1	Corrugated external tube d 20 for powder	
24	2116600	2	Support for dust tank	
25	6201500	4	FLAT WASHER D.6.4 x 18 x 2 ZINCATE	
26	4800300	4	GALVANIZED LOW SELF-LOCKING NUT M6	
27	5000510	4	Screw TCEI M6 X 20 Inox	
28	2117800	1	FILTER VIBE TANK M1200	
29	2414600	1	GROUNDING SHORT CHAIN	Pos. 29, 31
30	2414700	1	GROUNDING LONG CHAIN	
31	5005400	1	SCREW TCEI M5 x 8	
32	6700500	2	Clamp For Hose On Elbow	
999	0G34600	1	KIT FOR POWDERS AND GRANULATED S.1200	Pos. 1 > 32