

Table	Description	Updated
-------	-------------	---------

421      Frame, cushion, tank BL1200 no air purge

2025-03-12

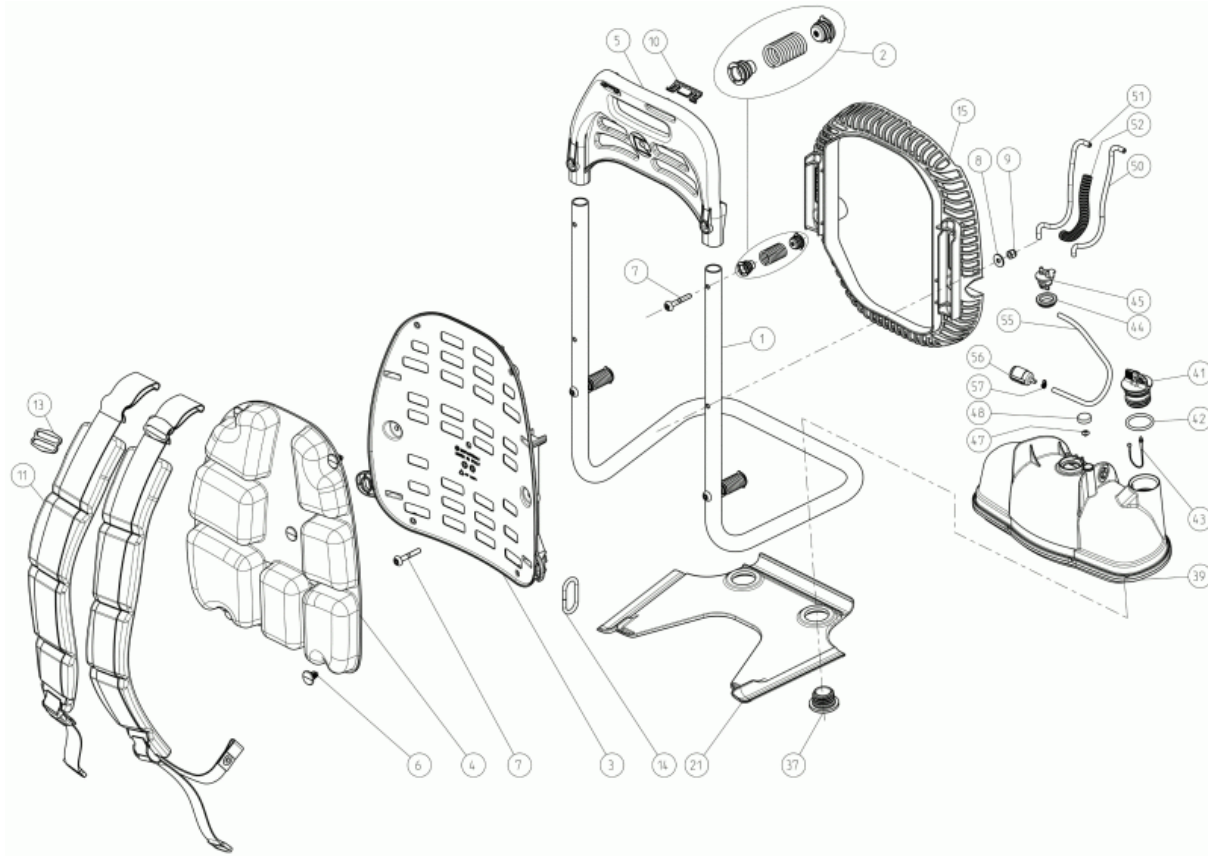


Table	Description	Updated
-------	-------------	---------

**421**      **Frame, cushion, tank BL1200 no air purge**

**2025-03-12**

Pos	Code	Qty	Description	Notes
1	2113803	1	Aluminum frame black 1200 series	
2	1204701	4	Spring Silent Block	
3	2114100	1	BACK CUSHION F. MIST-SPRAYER M1200	
3	2114110	1	Back for blower BL1200 x A.I.	Solo per modello / Only for model BL1200VCN
4	2114200	1	CUSHION F.MIST SPRAYER M1200	
5	2508000	1	SHOULDER STRAPS SUPPORT F.BLOWER BL1200	
6	3112800	5	Cap fixing cushion	
7	5307300	6	METRICAL SCREW TCEI M6X40	
8	6201500	2	FLAT WASHER D.6.4 x 18 x 2 ZINCATE	
9	4800300	2	GALVANIZED LOW SELF-LOCKING NUT M6	
10	2508100	2	SHOULDER STRAPS HOOKING F.BLOWER BL1200	
11	2414400	1	Shoulder straps Cifarelli M1200 - couple	
13	5400400	2	ADJUSTING BUCKLE	
14	3111100	2	SHOULDER STRAPS HOOKING	
15	2508700	1	Grill Blower BL1200	
21	8307201	1	Support fuel tank to the frame 1200	
37	2114300	2	SCREW STOPPER F.TANK FIXING M1200	
39	0G42300	1	Cifarelli welded mixture tank	
41	0G40600	1	FUEL CAP WITH ROPE + OR	Pos. 41 > 43
42	7303500	1	Ring OR 4125	
43	0G40600	1	FUEL CAP WITH ROPE + OR	Pos. 41 > 43
44	8307800	1	Grommet for welded Mixture tank	
45	8307900	1	Support hose for mixture 1200	
47	8215400	1	Valve - Check	
48	8307500	1	Cover of vent valve 1200	
50	8309300	1	Tube return fuel carburetor/tank	
51	8306601	1	PIPE	
52	8309400	1		
55	8306601	1	PIPE	
56	0611910	1	Fuel filter	
57	6903400	1	BAND D.7	
999	0G49700	1		Pos. 39 > 57
999	0G51200	1		Pos. 21, 37, 39 > 57

Table	Description	Updated
-------	-------------	---------

408 Engine metric thread BL1200 Epa/Eur5/Cn RXG

2024-09-02

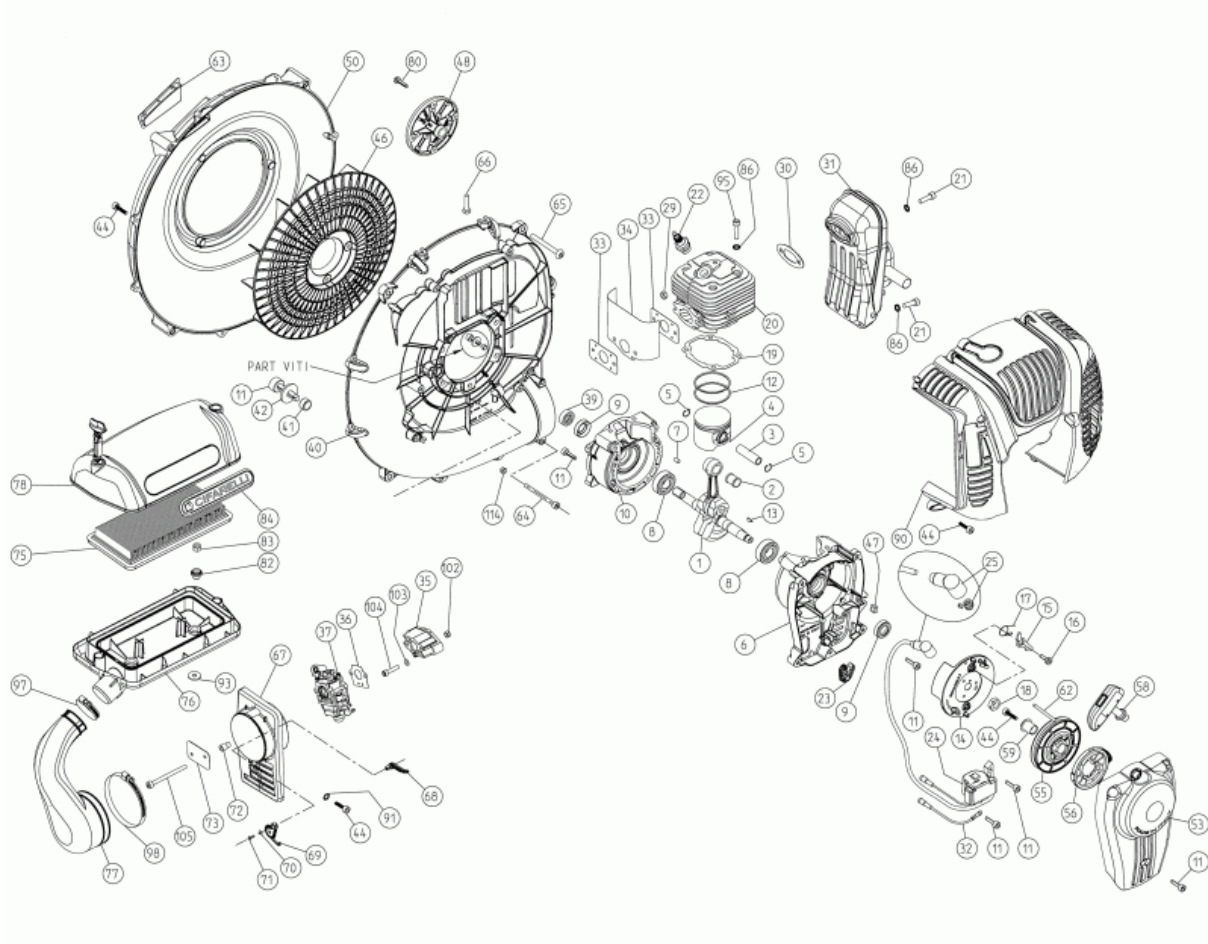


Table	Description	Updated
-------	-------------	---------

**408 Engine metric thread BL1200 Epa/Eur5/Cn RXG**

**2024-09-02**

Pos	Code	Qty	Description	Notes
1	0201300	1	Crankshaft C7 metric thread	
2	4100100	1	Needle Bearing	
3	0300200	1	Piston Pin	
4	0G01900	1	Piston Assy	Pos. 3 > 5, 12
5	0301400	2	RING SEALING PLUG C7	
6	0G30001	1	Semicarter couple serie 1200 cpl	Pos. 6 > 10, 23
7	6500700	2	PARALLEL PIN 5 X 10	
8	4000100	2	Ball Bearing	
9	7000100	2	Oil Seal	
10	0G30001	1	Semicarter couple serie 1200 cpl	Pos. 6 > 10, 23
11	5307100	17	SCREW TCEI 5X20	
12	0300300	2	Piston Ring	
13	7500100	1	Key	
14	0G07501	1	Flywheel (e.i.) C7 complete	Pos. 14 > 17
15	0805500	2	Lever of the catch for engine C7	
16	5308000	2	Self-dril screw w/trilob section f/catch	
17	0805601	2	catch spring	
18	4700200	1	Nut M10 X 1,25	
19	0400204	1	Cylinder gasket	
20	0G31000	1	C7 KIT INT. PULSE CYLINDER+CPL PISTON	Pos. 2 > 5, 12, 19, 20
21	5000510	3	Screw TCEI M6 X 20 Inox	
22	3006300	1	Spark plug C3/C7	
23	1204900	1	CABLE GUIDE RUBBER M1200	
24	3010103	1	C7 Electronic Coil CPL Sheath Selettra	
25	9924900	1	SPRING+PIPET KIT	
29	0100400	2	Special Nut M5	
30	0504800	1	Muffler gasket	
31	0505530	1	Muffler C7 FE EURO 5 FWP103	
32	3005301	1	CASING GROUND CABLE>SHORT HANDLE	
33	0402502	2	Gasket Cylinder / flange	
34	0G13300	1	Aluminium air screen with gaskets	Pos. 33, 34
35	0G21110	1	CARB. PRIME ISOLATING FLANGE W/NUTS BK	Pos. 35, 38
36	0403000	1	SUCTION GASKET	
37	0614900	1	C7 diaphragm carburetor RXG	
39	2118200	1	Spacer between the hub and fan 1200	
40	0G29302	1	Couple fan cover BL1200	Pos. 40, 41, 50, 63
41	2110700	5	Spacer	
42	6200400	5	WASHER D.5 X 15 X 1,5 ZINCATE	
44	5307000	13	SCREW TCEI 5X20 F. PLASTIC SPEC	
46	2113602	1	FAN FOR SPRAYER M1200	
47	4801700	1	Square nut M6	
48	0G42800	1	Ventilator's hub metric thread cpl	Pos. 39, 48
50	0G29302	1	Couple fan cover BL1200	Pos. 40, 41, 50, 63
53	0G30102	1	RECOIL STARTER BOX C7 1200	Pos. 44, 53, 59
55	0804900	1	RECOIL STARTER PULLEY M1200	
56	0805100	1	SPRING F.RECOIL STARTER CONTAINER M1200	
58	0805410	1	CUSHIONED STARTER HANDLE CPL ANM	
59	2118700	1	Autoenveloping wrench 1200	
62	0804501	1	STARTING ROPE	

Table	Description	Updated
63	2508200 1 FAN COVER CLOSING F.BLOWER BL1200	
64	5307400 2 METRICAL SCREW TCEI M5X65	
65	5307200 4 METRIC SCREW TCEI M6X60	
66	5101100 2 Screw M6 X 25	
67	0G50400 1 Coll flange blow. 1200 RXG cpl + spacer	Pos. 67 > 72
68	0G34800 1 Kit lever and throttle open./closing air	Pos. 68, 69
69	0G34800 1 Kit lever and throttle open./closing air	Pos. 68, 69
70	6001500 1 FLAT WASHER D.3	
71	5302400 1 SCREW ATF TIC 2,9 X 9,5	
72	0610600 2 SPACER SILENCER 97 X PLATE	
73	0610700 1 filter plate 97 carb.	
75	0613700 1 PAPER AIR FILTER F. BLOWER BL1200	
76	0G29701 1 Frame filter holder box BL1200+spacer	Pos. 76, 82
77	0G29510 1 Air manifold BL1200 with metal clamps	Pos. 77, 97, 98
78	0G29801 1 Filter Holder box cover BL1200 cpl	Pos. 78, 79, 84
79	0614600 2 Filter cover fixing pin BL1200	
80	5303500 4 SCREW TE M5 X 20 W. WASHER	
82	0614100 2 SPACER F. FILTER SUPPORT F.BLOWER BL1200	
83	4800300 2 GALVANIZED LOW SELF-LOCKING NUT M6	
84	7705201 1 CIFARELLI RESINATED LABEL 137X27	
86	6300400 7 Washer Lock-Rite M6	
90	1205001 1 ENGINE COVER M1200	
91	6300100 1 Washer	
93	6201500 2 FLAT WASHER D.6.4 x 18 x 2 ZINCATE	
95	5006000 4 Screw TCEI M6x25 bottom notc.10.9 + glue	
97	6904900 1 Metal clamp Ø38	
98	6905000 1 Metal clamp Ø81	
102	4501000 2 Nut (h15) M5	
103	6200100 2 Washer	
104	5003700 2 Screw	
105	5002110 2 screw TCEI M5x65 with glue	
114	4800500 2 LOW SELF-LOCKING NUT M5	
999	0G20901 1 GASKET KIT MOT. C7 CARB. PRIME	Pos. 19, 30, 33, 36
999	0G44230 1 Exhaust assy C7 Fe Eur5 FWP103 + gasket	Per modelli / For models BL1200EU/VEU/US/VUS
999	0G44220 1 Motor exhaust C7 FE Euro5+screen+gasket	Per modelli / For models BL1200VCN/CN
999	0G30302 1 C7 RECOIL STARTER BOX 1200 CPL	Pos. 44, 53 > 62
999	0G43600 1 Fan 1200 with hub metric thread	Pos. 39, 46, 48, 80
999	0G30501 1 FILTER HOLDER BOX CAP BL1200 CPL	Pos. 76, 78, 79, 82, 84
999	0G40301 1 Kit 2levers, 2 pins and 2 catch spring	Pos. 15 > 17

Table	Description	Updated
-------	-------------	---------

313 Hoses BL1200 D.100

2023-12-05

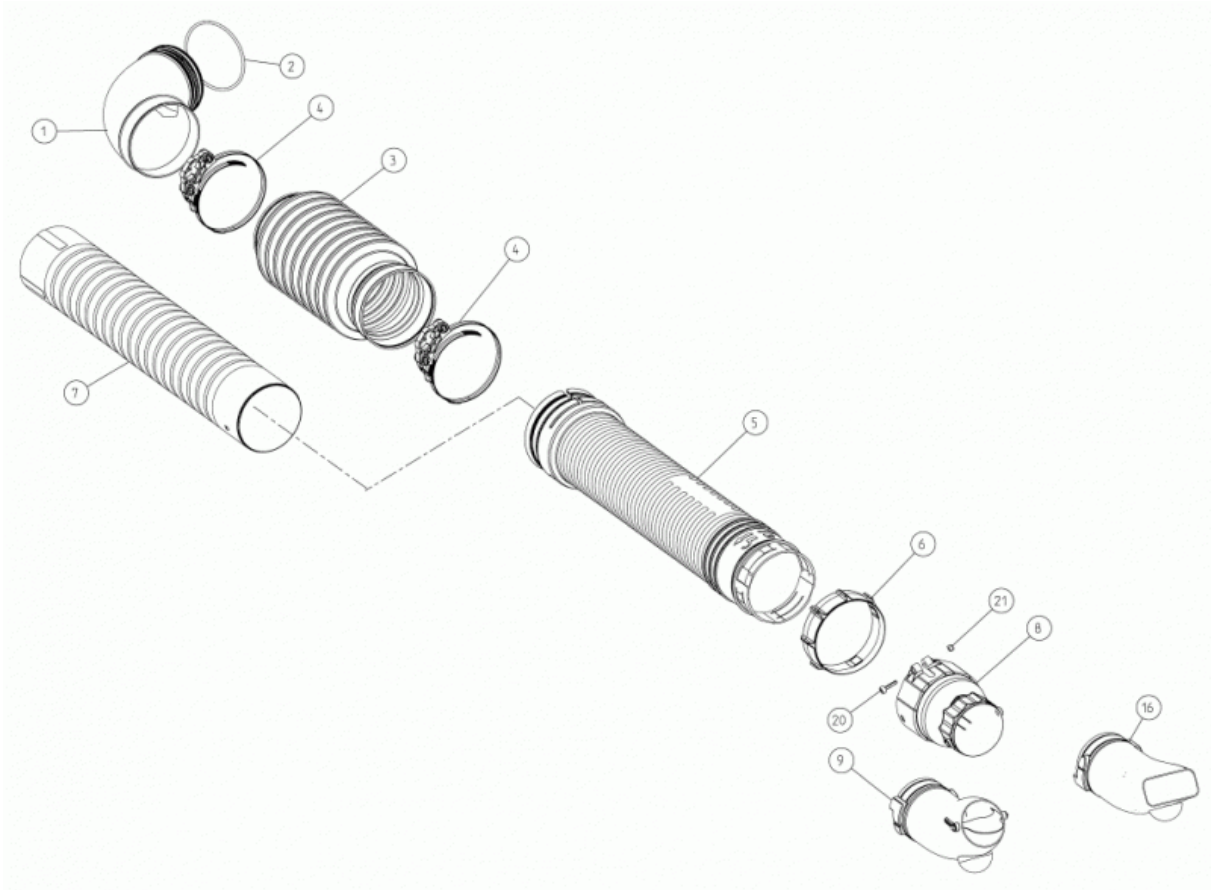


Table	Description	Updated
-------	-------------	---------

**313 Hoses BL1200 D.100**

**2023-12-05**

Pos	Code	Qty	Description	Notes
1	0G43300	1	Fan exir elbow BL1200 D100 with OR	Pos. 1, 2
2	7302400	1	RING OR 4387	
3	0G43400	1	Flexible pipe blower D100 with felt	
4	0G46900	2	Plastic clamp D.100 cpl	
4	6905700	2	Metallic clamp 116-121 with eyelet	Solo per modello / Only for model BL1200VCN
5	0G43500	1	Kit turning+sliding pipes+ring nut	Pos. 5 > 7
6	0G43500	1	Kit turning+sliding pipes+ring nut	Pos. 5 > 7
7	0G43500	1	Kit turning+sliding pipes+ring nut	Pos. 5 > 7
8	0G46000	1	Reduction D100 for curved nozzle	Pos. 8, 20, 21
9	2412301	1	CURVED TUBE SPHER.EXIT+BLADE+1/2 SPHERE	
16	2412201	1	CURVED TUBE RECT.EXIT+ SEMISPHERE	
20	5307100	1	SCREW TCEI 5X20	
21	4800200	1	STOP NUT M5	

Table	Description	Updated
-------	-------------	---------

**324 Engine metric thread BL1200 Epa/Eur5/Cn**

**2023-11-07**

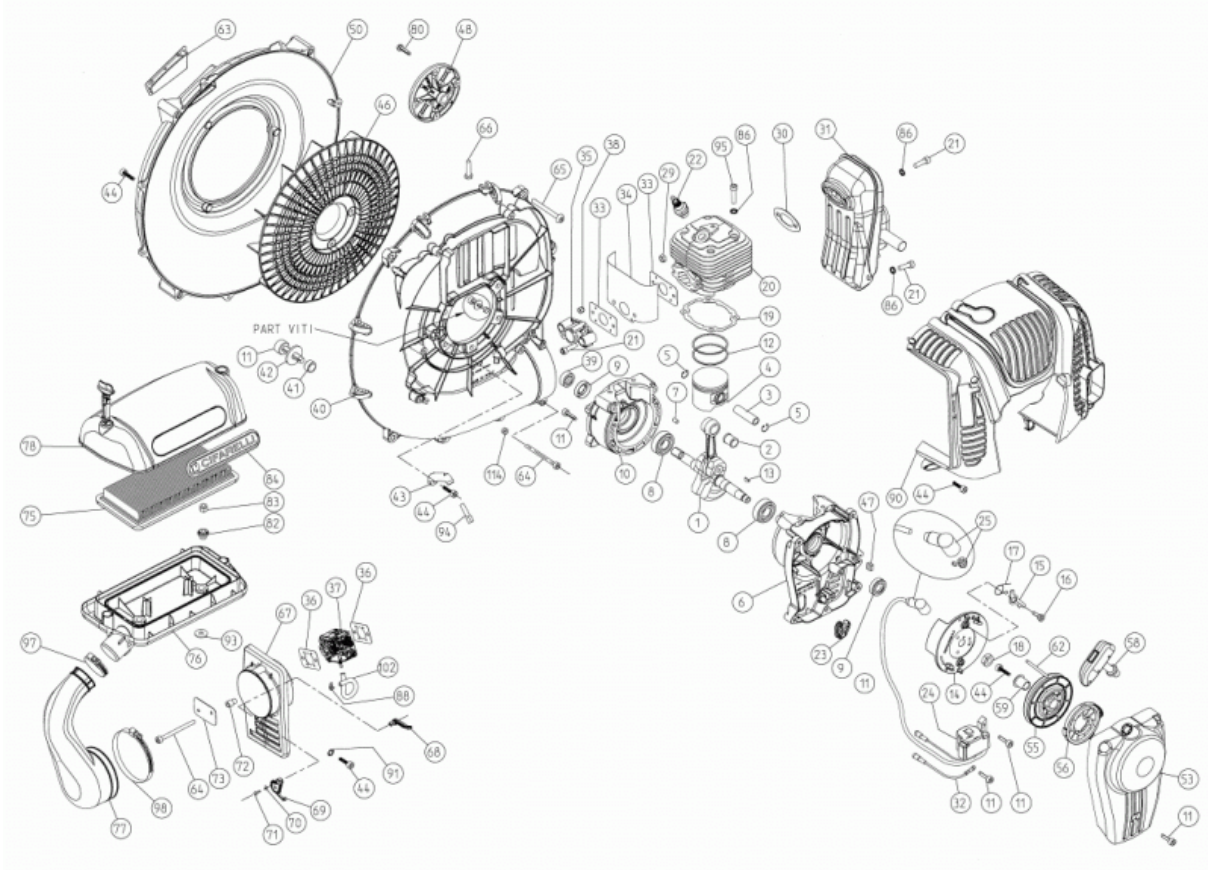


Table	Description	Updated
-------	-------------	---------

**324 Engine metric thread BL1200 Epa/Eur5/Cn**

**2023-11-07**

Pos	Code	Qty	Description	Notes
1	0201300	1	Crankshaft C7 metric thread	
2	4100100	1	Needle Bearing	
3	0300200	1	Piston Pin	
4	0G01900	1	Piston Assy	Pos. 3 > 5, 12
5	0301400	2	RING SEALING PLUG C7	
6	0G30001	1	Semicarter couple serie 1200 cpl	Pos. 6 > 10, 23
7	6500700	2	PARALLEL PIN 5 X 10	
8	4000100	2	Ball Bearing	
9	7000100	2	Oil Seal	
10	0G30001	1	Semicarter couple serie 1200 cpl	Pos. 6 > 10, 23
11	5307100	17	SCREW TCEI 5X20	
12	0300300	2	Piston Ring	
13	7500100	1	Key	
14	0G07501	1	Flywheel (e.i.) C7 complete	Pos. 14 > 17
15	0805500	2	Lever of the catch for engine C7	
16	5308000	2	Self-dril screw w/trilob section f/catch	
17	0805601	2	catch spring	
18	4700200	1	Nut M10 X 1,25	
19	0400203	1	Cylinder gasket	
20	0G31000	1	C7 KIT INT. PULSE CYLINDER+CPL PISTON	Pos. 2 > 5, 12, 19, 20
21	5000510	5	Screw TCEI M6 X 20 Inox	
22	3006300	1	Spark plug C3/C7	
23	1204900	1	CABLE GUIDE RUBBER M1200	
24	3010103	1	C7 Electronic Coil CPL Sheath Selettra	
25	9924900	1	SPRING+PIPET KIT	
29	4500300	2	Nut M6	
30	0504800	1	Muffler gasket	
31	0505520	1	Muffler C7 FE EURO 5 engine	
32	3005301	1	CASING GROUND CABLE>SHORT HANDLE	
33	0405101	2	Gasket cylinder /carburetor M1200	
34	0G31200	1	SCREEN AIR WITH GASKET FOR 1200 SERIES	Pos. 33, 34
35	0G29210	1	Black HDACarbur insulat flange with nuts	Pos. 35, 38
36	0405000	2	Suction Gasket F. HDA Carburettor	
37	0613401	1	Walbro HDA M1200 carburettor	
38	4800200	2	STOP NUT M5	
39	2118200	1	Spacer between the hub and fan 1200	
40	0G29302	1	Couple fan cover BL1200	Pos. 40, 41, 50, 63
41	2110700	5	Spacer	
42	6200400	5	WASHER D.5 X 15 X 1,5 ZINCATE	
43	0G34900	1	Supp. thread gas serie1200 with regist.	Pos. 43, 94
44	5307000	14	SCREW TCEI 5X20 F. PLASTIC SPEC	
46	2113602	1	FAN FOR SPRAYER M1200	
47	4801700	1	Square nut M6	
48	0G42800	1	Ventilator's hub metric thread cpl	Pos. 39, 48
50	0G29302	1	Couple fan cover BL1200	Pos. 40, 41, 50, 63
53	0G30102	1	RECOIL STARTER BOX C7 1200	Pos. 44, 53, 59
55	0804900	1	RECOIL STARTER PULLEY M1200	
56	0805100	1	SPRING F.RECOIL STARTER CONTAINER M1200	
58	0805410	1	CUSHIONED STARTER HANDLE CPL ANM	

Table	Description	Updated
59	2118700 1 Autoenveloping wrench 1200	
62	0804501 1 STARTING ROPE	
63	2508200 1 FAN COVER CLOSING F.BLOWER BL1200	
64	5307400 4 METRICAL SCREW TCEI M5X65	
65	5307200 4 METRIC SCREW TCEI M6X60	
66	5101100 2 Screw M6 X 25	
67	0G29601 1 Collect flange w/air lever cpl w/spacer	Pos. 67 > 72
68	0G34800 1 Kit lever and throttle open./closing air	Pos. 68, 69
69	0G34800 1 Kit lever and throttle open./closing air	Pos. 68, 69
70	6001500 1 FLAT WASHER D.3	
71	5302400 1 SCREW ATF TIC 2,9 X 9,5	
72	0610600 2 SPACER SILENCER 97 X PLATE	
73	0610700 1 filter plate 97 carb.	
75	0613700 1 PAPER AIR FILTER F. BLOWER BL1200	
76	0G29701 1 Frame filter holder box BL1200+spacer	Pos. 76, 82
77	0G29510 1 Air manifold BL1200 with metal clamps	Pos. 77, 97, 98
78	0G29801 1 Filter Holder box cover BL1200 cpl	Pos. 78, 79, 84
79	0614600 2 Filter cover fixing pin BL1200	
80	5303500 4 SCREW TE M5 X 20 W. WASHER	
82	0614100 2 SPACER F. FILTER SUPPORT F.BLOWER BL1200	
83	4800300 2 GALVANIZED LOW SELF-LOCKING NUT M6	
84	7705201 1 CIFARELLI RESINATED LABEL 137X27	
86	6300400 7 Washer Lock-Rite M6	
88	6903400 1 BAND D.7	
90	1205001 1 ENGINE COVER M1200	
91	6300100 1 Washer	
93	6201500 2 FLAT WASHER D.6.4 x 18 x 2 ZINCATE	
94	0G34900 1 Supp. thread gas serie1200 with regist.	Pos. 43, 94
95	5006000 4 Screw TCEI M6x25 bottom notc.10.9 + glue	
97	6904900 1 Metal clamp Ø38	
98	6905000 1 Metal clamp Ø81	
102	8305000 1 CONNECTOR/CARB. ASPIRATION FUEL TUBE	
114	4800500 2 LOW SELF-LOCKING NUT M5	
999	0G30800 1 SERIES 1200 ENGINE GASKET C7	Pos. 19, 30, 33, 36
999	0G44225 1	Per modelli / For models BL1200EU/VEU/US/VUS
999	0G44220 1 Motor exhaust C7 FE Euro5+screen+gasket	Per modelli / For models BL1200VCN/CN
999	0G30302 1 C7 RECOIL STARTER BOX 1200 CPL	Pos. 44, 53 > 62
999	0G43600 1 Fan 1200 with hub metric thread	Pos. 39, 46, 48, 80
999	0G30501 1 FILTER HOLDER BOX CAP BL1200 CPL	Pos. 76, 78, 79, 82, 84
999	0G40301 1 Kit 2levers, 2 pins and 2 catch spring	Pos. 15 > 17

Table	Description	Updated
-------	-------------	---------

266      Frame, cushion, tank BL1200

2023-10-10

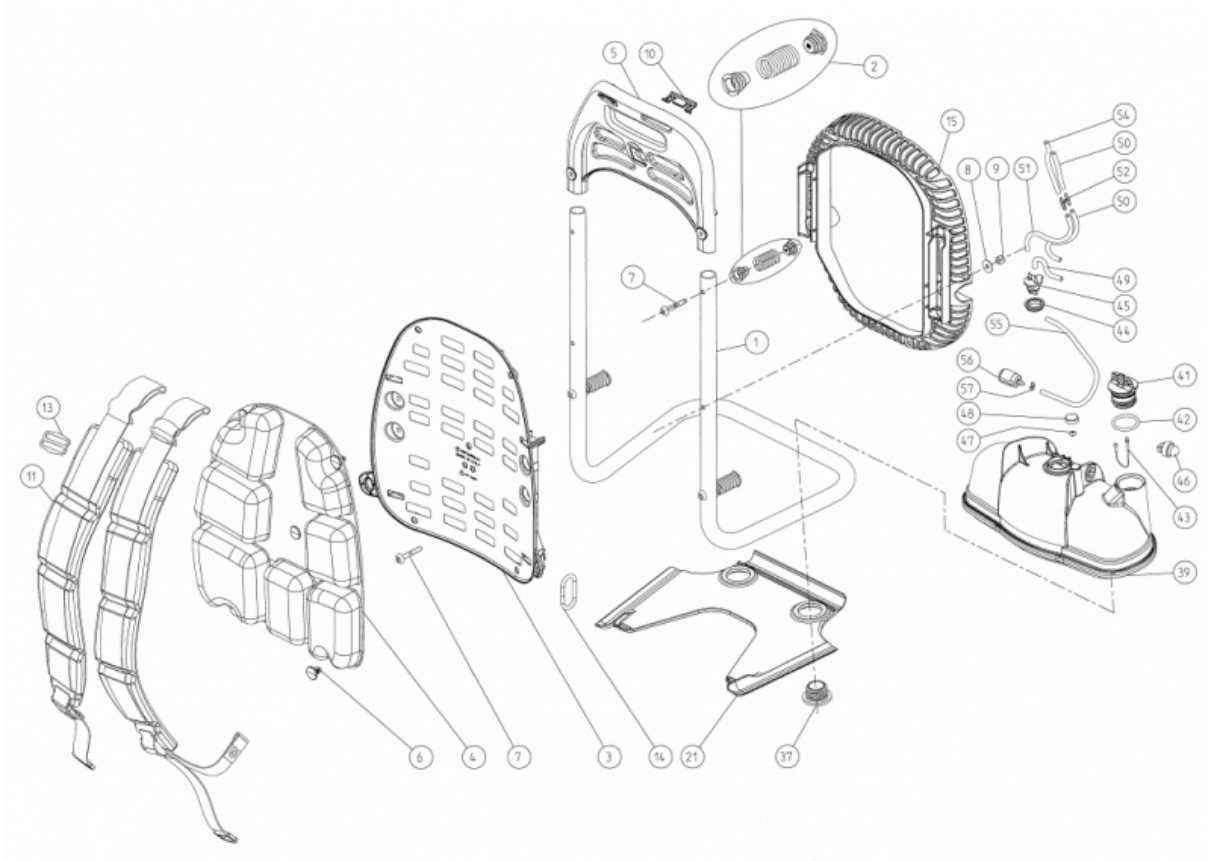


Table	Description	Updated
-------	-------------	---------

**266 Frame, cushion, tank BL1200**

**2023-10-10**

Pos	Code	Qty	Description	Notes
1	2113803	1	Aluminum frame black 1200 series	
2	1204701	4	Spring Silent Block	
3	2114100	1	BACK CUSHION F. MIST-SPRAYER M1200	
3	2114110	1	Back for blower BL1200 x A.I.	Solo per modello / Only for model BL1200VCN
4	2114200	1	CUSHION F.MIST SPRAYER M1200	
5	2508000	1	SHOULDER STRAPS SUPPORT F.BLOWER BL1200	
6	3112800	5	Cap fixing cushion	
7	5307300	6	METRICAL SCREW TCEI M6X40	
8	6201500	2	FLAT WASHER D.6.4 x 18 x 2 ZINCATE	
9	4800300	2	GALVANIZED LOW SELF-LOCKING NUT M6	
10	2508100	2	SHOULDER STRAPS HOOKING F.BLOWER BL1200	
11	2414400	1	Shoulder straps Cifarelli M1200 - couple	
13	5400400	2	ADJUSTING BUCKLE	
14	3111100	2	SHOULDER STRAPS HOOKING	
15	2508700	1	Grill Blower BL1200	
21	8307201	1	Support fuel tank to the frame 1200	
37	2114300	2	SCREW STOPPER F.TANK FIXING M1200	
39	0G42300	1	Cifarelli welded mixture tank	
41	0G40600	1	FUEL CAP WITH ROPE + OR	Pos. 41 > 43
42	7303500	1	Ring OR 4125	
43	0G40600	1	FUEL CAP WITH ROPE + OR	Pos. 41 > 43
44	8307800	1	Grommet for welded Mixture tank	
45	8307900	1	Support hose for mixture 1200	
46	8304500	1	WALBRO CARBURETTOR AIR PURGE	
47	8215400	1	Valve - Check	
48	8307500	1	Cover of vent valve 1200	
49	8308100	1	MIXTURE RETURN PIPE PURGE/SUPPORT	
50	8306300	2	Return Mixture Tube	
51	8308200	1	Suction mixture PIPE support/connector	
52	8305900	1	MULTI-CONNECTOR FOR FUEL TUBES	
54	8305000	1	CONNECTOR/CARB. ASPIRATION FUEL TUBE	
55	8306601	1	PIPE	
56	0611910	1	Fuel filter	
57	6903400	1	BAND D.7	
999	0G40700	1	Cifarelli welded mixture tank	Pos. 39 > 57
999	0G42700	1	COMPLETE FUEL TANK PA SOLDERED	Pos. 21, 37, 39 > 57

Table	Description	Updated
-------	-------------	---------

195 Carburetor HDA for 1200 series

2021-01-14

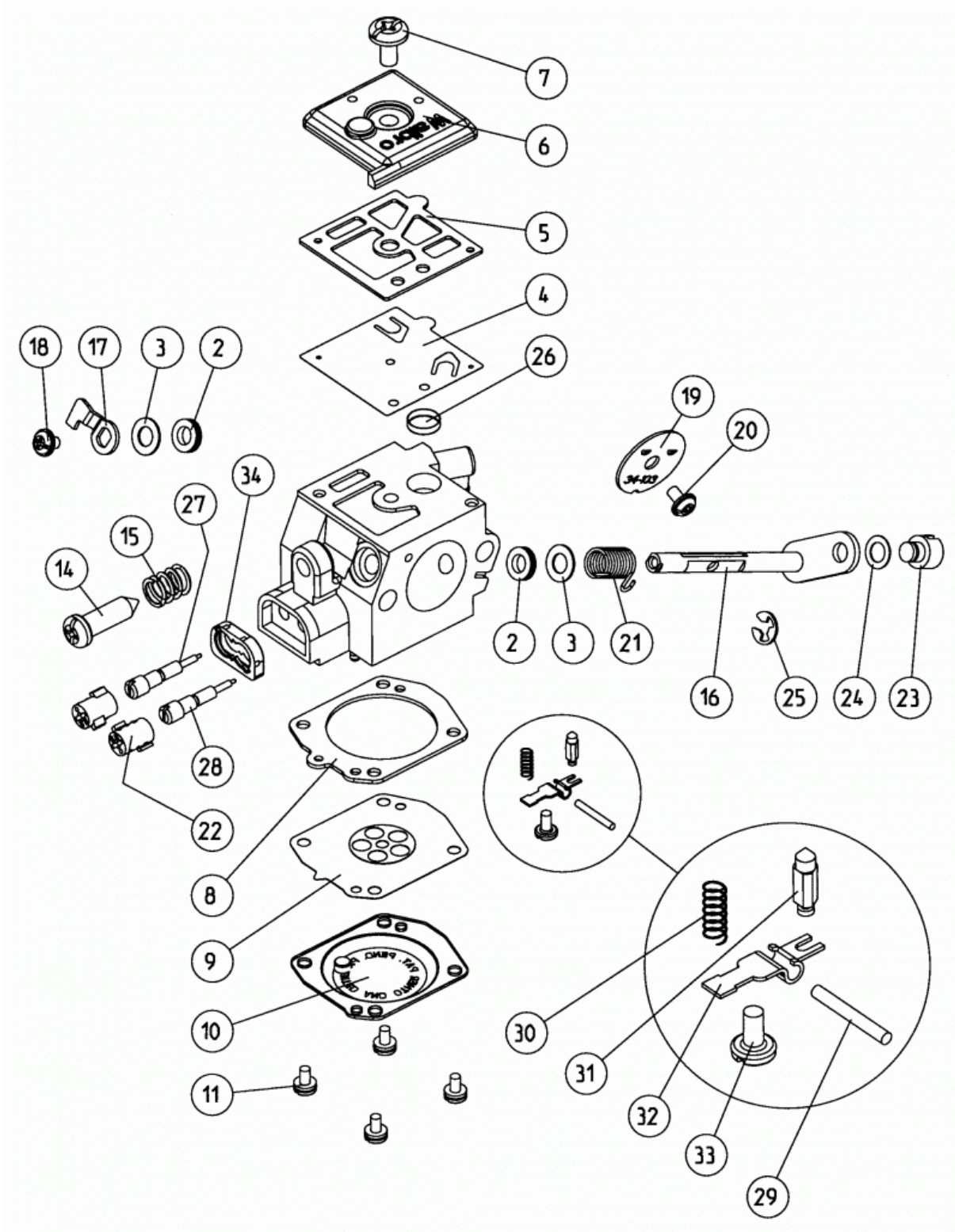


Table	Description	Updated
-------	-------------	---------

**195 Carburetor HDA for 1200 series**

**2021-01-14**

Pos	Code	Qty	Description	Notes
2	8218100	2	SMALL SHAFT GASKET	
3	8217900	2	WASHER	
4	8219200	1	PUMP MEMBRANE	
5	8219100	1	PUMP MEMBRANE GASKET	
6	8218300	1	PUMP COVER	
7	8219400	1	SCREW PUMP COVER	
8	8219000	1	METERING GASKET MEMBRANE	
9	8219300	1	METERING MEMBRANE	
10	8218400	1	METERING COVER	
11	8219800	4	METERING COVER FIXING SCREW	
14	8219600	1	MINIMUM REGIME SCREW	
15	8220000	1	SPRING FOR MINIMUM REGIME SCREW	
16	8218500	1	SMALL SHAFT WITH LEVER	
17	8218900	1	FULL STROKE LEVER	
18	8219700	1	FULL STROKE LEVER SCREW	
19	8218700	1	THROTTLE VALVE	
20	8219500	1	BUTTERFLY SCREW	
21	8220100	1	SPRING FOR SMALL SHAFT	
22	8218600	2	LIMITATION CAP	
23	8218800	1	PAWL FOR GAS WIRE	
24	8218000	1	WASHER FOR PAWL	
25	8205100	1	Benzing ring lever (BL/C3/C2/C8)	
26	9406100	1	SMALL FILTER	
27	8217800	1	SCREW MAXIMUM REGISTER	
28	8217700	1	SCREW MINIMUM REGISTER	
29	8205500	1	Pin lever pivot	
30	8219901	1	Metering spring	
31	8209000	1	pin	
32	8218200	1	METERING LEVER	
33	8206700	1	PIN SCREW (BL/C3/C2/C8)	
34	8220300	1	Frame lock caps limitation	
999	0G34400	1	kit Gasket/membranes Walbro HDA	Pos. 4, 5, 8, 9
999	8220200	1	Repairing kit Walbro HDA	Pos. 4, 5, 8, 9, 26, 29, 31, 32

Table	Description	Updated
-------	-------------	---------

**312      Controls handle BL1200 D.100**

**2019-03-04**

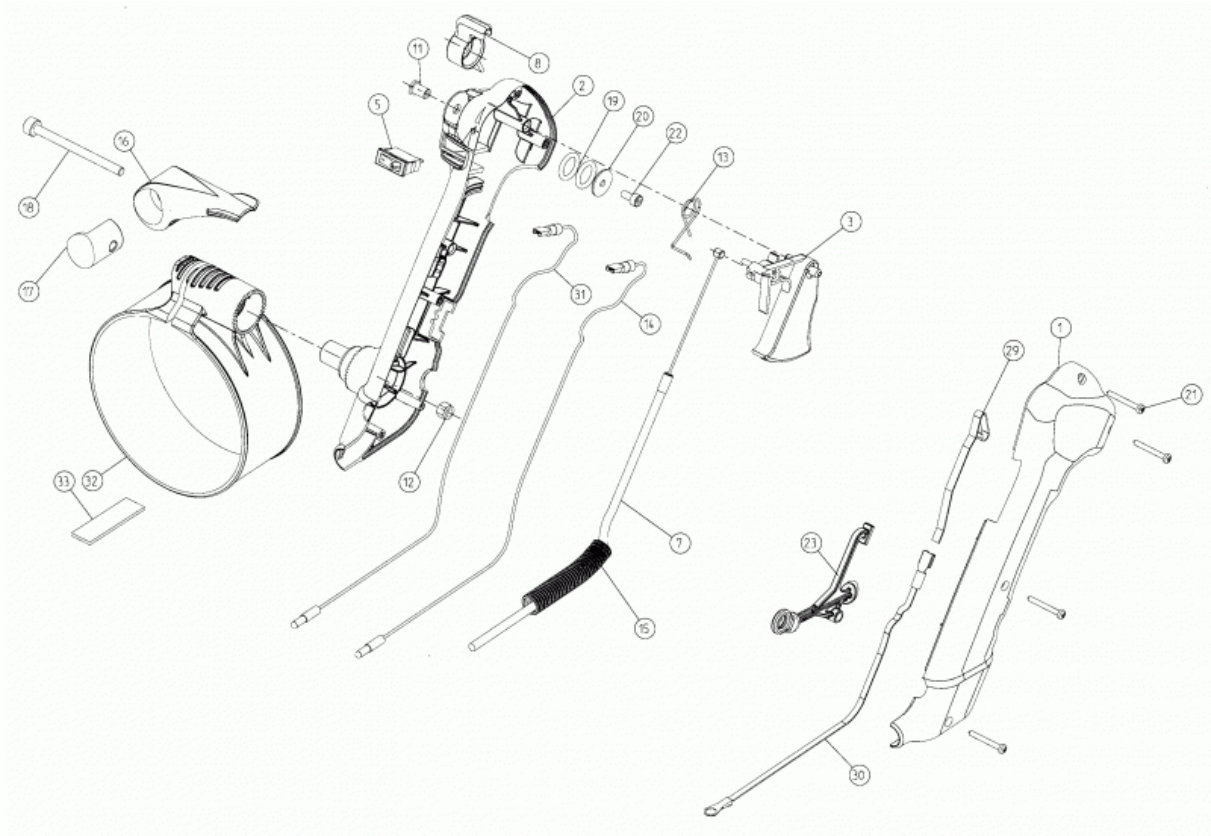


Table	Description	Updated
-------	-------------	---------

**312 Controls handle BL1200 D.100**

**2019-03-04**

Pos	Code	Qty	Description	Notes
1	3401701	1	Right shell for handle ANM	
2	3401800	1	LEFT SHELL FOR HANDLE M1200	
3	3402901	1	Gas lever for handle 1200 series	
5	3010200	1	STOP BUTTON FOR HANDLE M1200	
7	3401202	1	Gas wire for register 1200	
8	3402000	1	GAS HANDLE CONTROL LEVER M1200	
11	3401401	1	PIN GAS LEVER HANDLE M1200	
12	4800200	1	STOP NUT M5	
13	3403001	1	SPRING FOR GAS LEVER HANDLE M1200	
14	3010300	1	MASS WIRE HANDLE M1200	
15	1205400	1	Protection cable sheath for handle 1200	
16	3402700	1	ECCENTRIC BODY WITH LEVER HANDLE M1200	
17	3402400	1	BODY REACTION FOR ECCENTRIC HANDLE M1200	
18	5307400	1	METRICAL SCREW TCEI M5X65	
19	7302700	2	OR RING 115	
20	3401500	1	WASHER FOR GAS LEVER HANDLE M1200	
21	5303100	4	SCREW ATF TIC 2,9 X 25 NICKEL	
22	5005210	1	SCREW M4 X 8 WITH GLUE	
23	3403200	1	HANDLE SUPPORT BL1200	
29	3014700	1	Grounding Metal tab for handle 1200	
30	3014800	1	Cable Electrostatic current dispersion	
31	3013900	1	Mass wire handle red for M1200	
32	0G44400	1	Clamp D100 with felt for handle	Pos. 32, 33
33	2120000	1		
999	0G43200	1	Complete handle for blower BL1200 D.100	Pos. 1 > 32