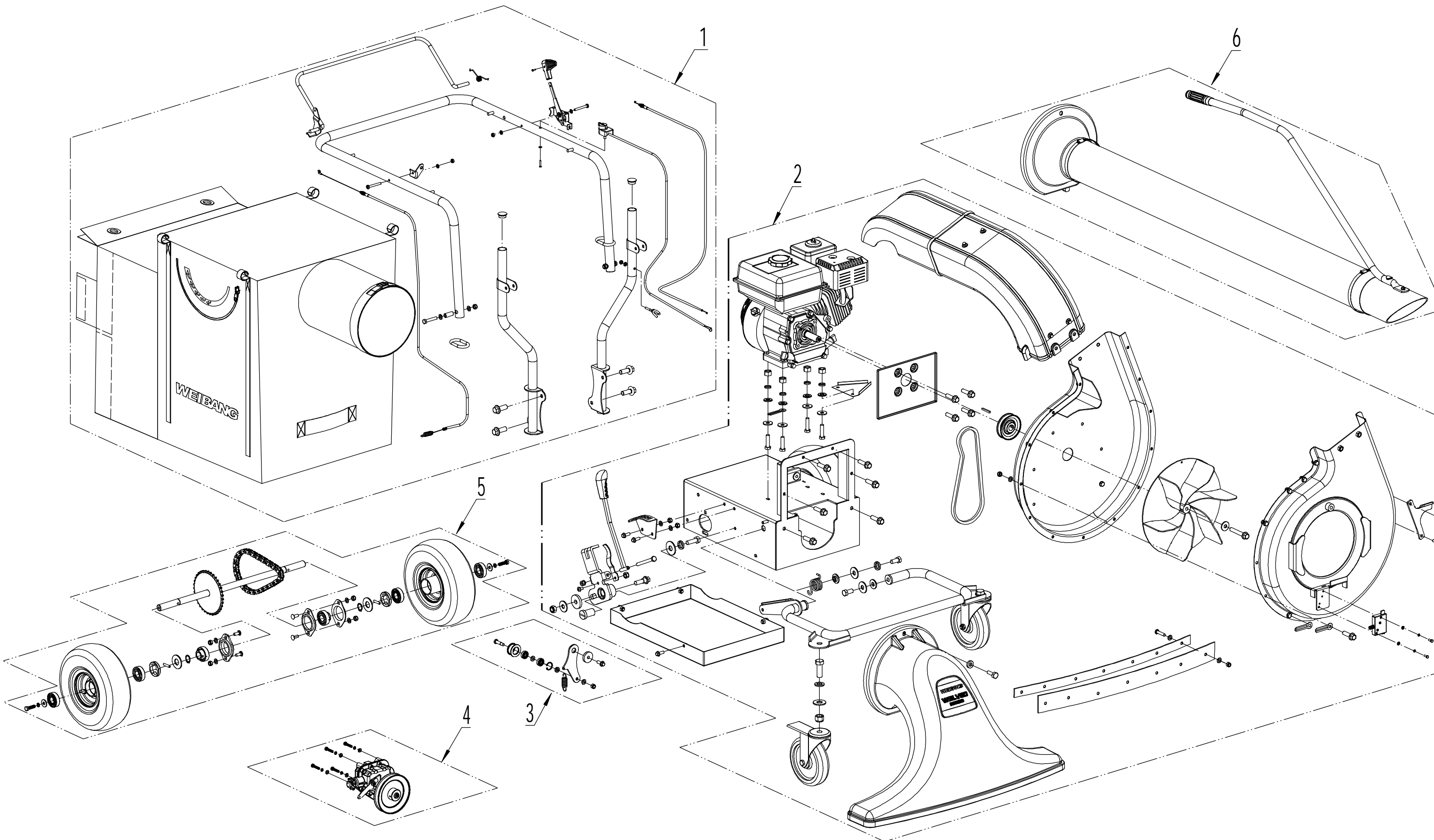


WBLV506C Spare Parts List Service code: WBLV506C2411

| Subassembly Code | Name_English | Machine Breakdown | Parts List |
|------------------|---------------------|--------------------------|--|
| 1 | Handle And Controls | <u>1</u> | <u>Handle And Controls</u> |
| 2 | Main Body | <u>2</u> | <u>Main Body</u> |
| 3 | Tensional Pulley | <u>3</u> | <u>Tensional Pulley</u> |
| 4 | Transmission Box | <u>4</u> | <u>Transmission Box</u> |
| 5 | Rear Axle | <u>5</u> | <u>Rear Axle</u> |
| 6 | Vacuum Nozzle | <u>6</u> | <u>Vacuum Nozzle</u> |

Model: WBLV506C

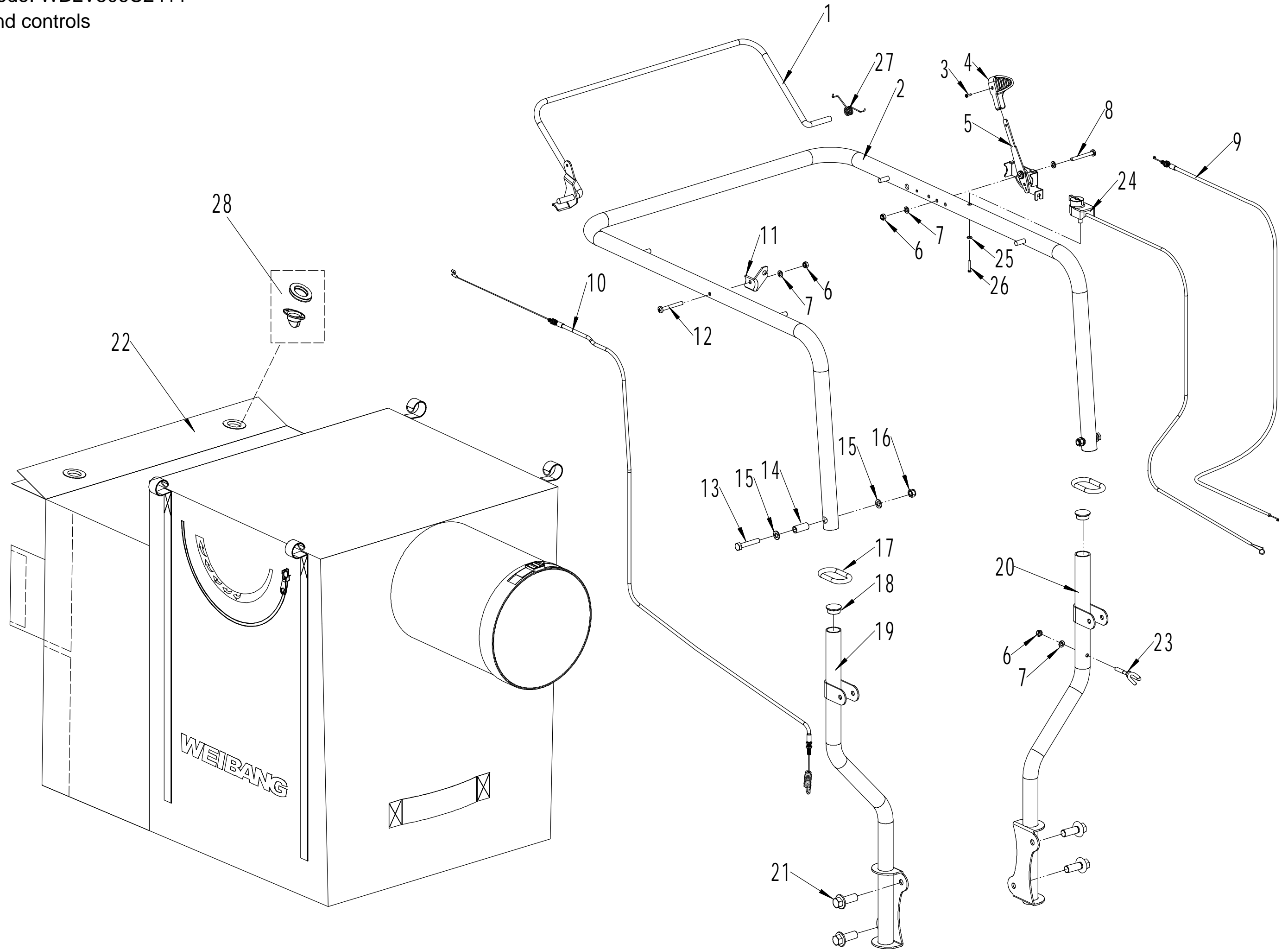
Service code: WBLV506C2411



Model: WBLV506C

Service code: WBLV506C2411

Handle and controls

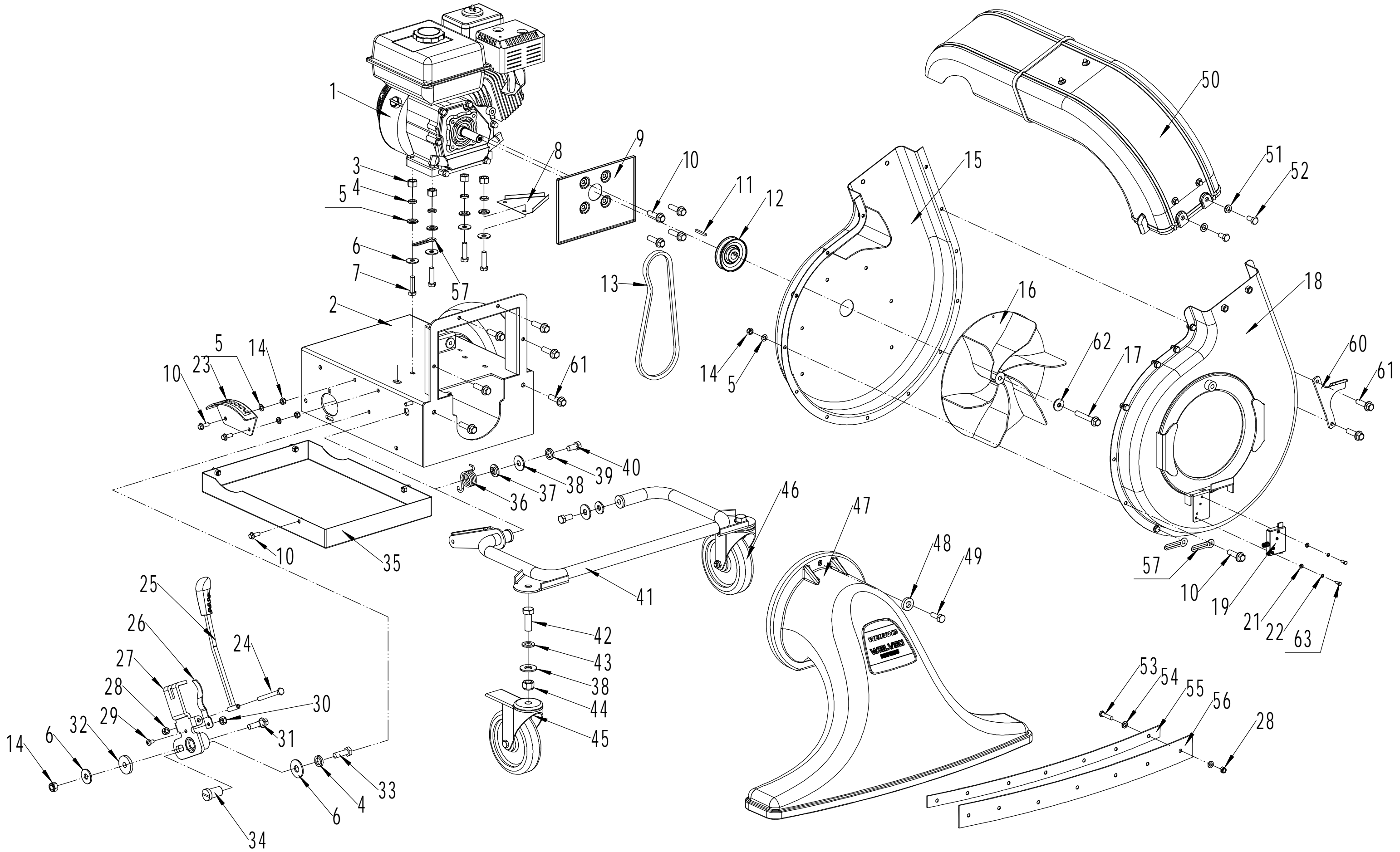


| 1 | | | |
|--|--------------|----------------------------|----------|
| Part1 Handle And Controls Spare Parts List | | | |
| Order | Part Number | Name_English | Quantity |
| 1 | LVSA01000/40 | Cluth Lever Weldment | 1 |
| 2 | LVSA02000/44 | Upper Handle Welding | 1 |
| 3 | 0106003013 | Screw - ST2.9x13 | 1 |
| 4 | 5380510010 | Grip - Throttle Lever | 1 |
| 5 | 5360509010 | Frame - Throttle Control | 1 |
| 6 | 0202006000 | Lock Nut - M6 | 3 |
| 7 | 0301006000 | Washer - M6 | 4 |
| 8 | 0104006055 | Screw - M6x55 | 1 |
| 9 | LVSA05010A1 | Throttle Cable | 1 |
| 10 | LVSD07020 | Clutch Cable | 1 |
| 11 | LVSA18010/02 | Cable Bracket | 1 |
| 12 | 0104006040 | Screw - M6x40 | 1 |
| 13 | 0101008045 | Bolt - M8x45 | 2 |
| 14 | LVSA08010/02 | Handle Partition | 2 |
| 15 | 0301008000 | Washer - M8 | 4 |
| 16 | 0202008000 | Lock Nut - M8 | 2 |
| 17 | LVSA09010/40 | Link Chain | 2 |
| 18 | LVSA12010 | Handle Plug | 2 |
| 19 | LVSA10000/44 | Right-lower Handle Welding | 1 |
| 20 | LVSA11000/44 | Left-lower Handle Welding | 1 |
| 21 | 0102010020 | Bolt - M10x20 | 4 |
| 22 | LVSA13000 | Grass Bag | 1 |
| 23 | LVSA06000/01 | Hook - Starter Rope | 1 |
| 24 | LVSA16010 | Flameout Switch | 1 |
| 25 | 0302003000 | Washer - M3 | 1 |
| 26 | 0104003020 | Screw - M3x20 | 1 |
| 27 | LVSA06030/01 | Return Spring | 1 |
| 28 | LVSA13170 | Hasp | 2 |

Model: WBLV506C

Service code: WBLV506C2411

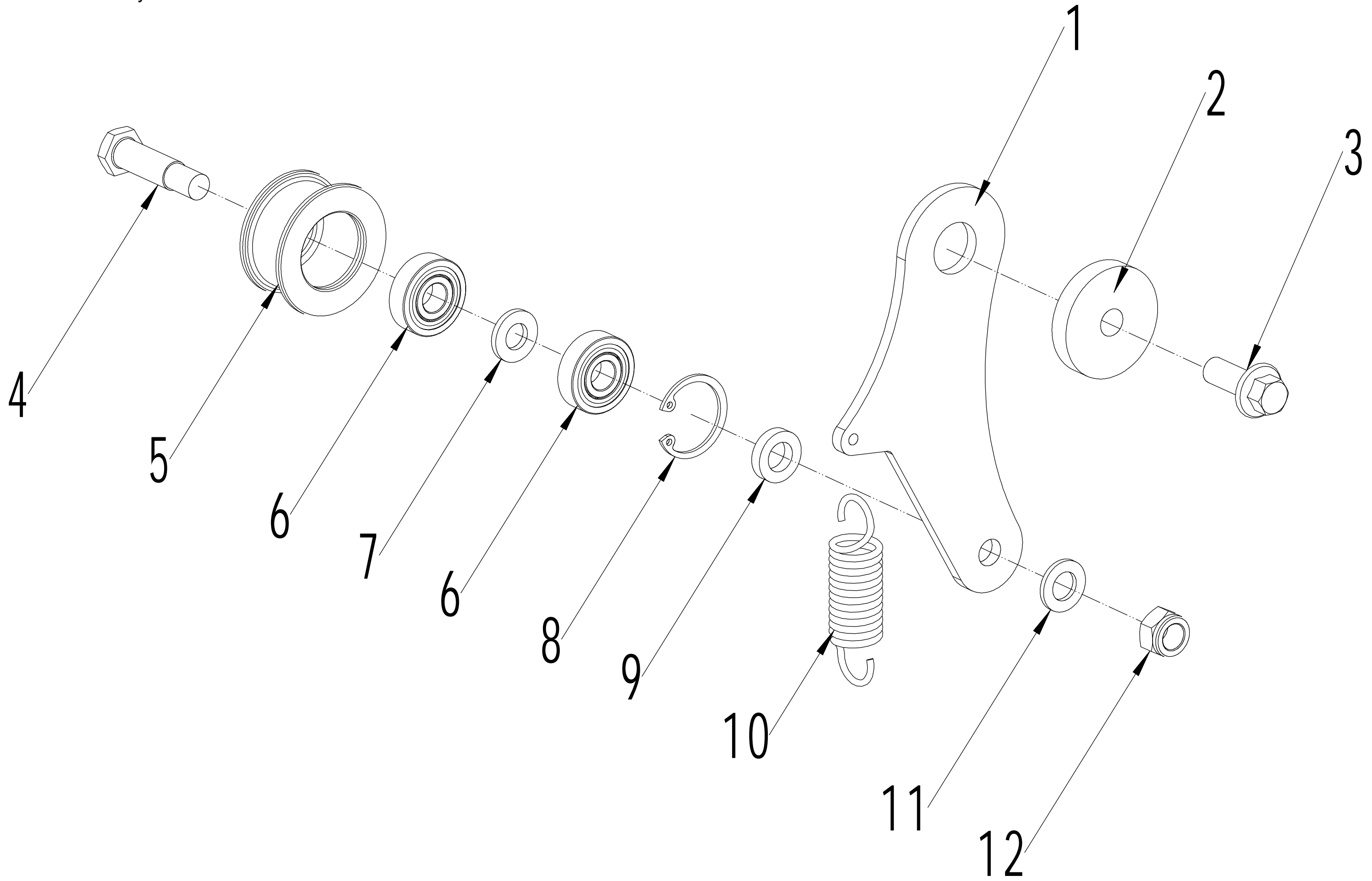
Main Body



| 2 | Part2 Main Body Spare Parts List | | |
|-------|----------------------------------|---------------------------|----------|
| Order | Part Number | Name_English | Quantity |
| 1 | G200F | Engine | 1 |
| 2 | LVDB01000/44 | Chassis Weldment | 1 |
| 3 | 0201008000 | Nut-M8 | 4 |
| 4 | 0401008000 | Spring Washer-M8 | 6 |
| 5 | 0301008000 | Washer-M8 | 23 |
| 6 | 0302008000 | Washer-M8 | 6 |
| 7 | 0101008040 | Bolt-M8×40 | 4 |
| 8 | LVSB02010/02 | Guid Plate | 1 |
| 9 | LVSB03010/44 | Engine Connection Plate | 1 |
| 10 | 0102008016 | Bolt-M8×16 | 21 |
| 11 | LVSA14010 | Key-4.7X4.7X47 | 1 |
| 12 | LVSB04010/02 | Engine Pulley | 1 |
| 13 | V13/750 | V Belt-13X750 | 1 |
| 14 | 0202008000 | Lock Nut-M8 | 19 |
| 15 | LVSB05000/44 | Turbin Shell (Back Half) | 1 |
| 16 | LVSB06000/22 | Turbin | 1 |
| 17 | 5340113021 | Blade Bolt | 1 |
| 18 | LVSB07000/44 | Turbin Shell (Front Half) | 1 |
| 19 | 8SH0601020 | Switch | 1 |
| 21 | 0301005000 | Washer-M5 | 2 |
| 22 | 0401005000 | Spring Washer - M5 | 2 |
| 23 | LVSB08021/01 | Graduator | 1 |
| 24 | 0101006055 | Bolt-M6×55 | 1 |
| 25 | LVSB08000/40 | Handle - Height Adjuster | 1 |
| 26 | 5380314010/04 | Spring | 1 |
| 27 | LVSB09000/22 | Plate - Height Adjuster | 1 |
| 28 | 0202006000 | Lock Nut-M6 | 2 |
| 29 | 0108005012 | Screw-M5x12 | 1 |
| 30 | 0202005000 | Lock Nut-M5 | 1 |
| 31 | LVSB10010/02 | Bolt | 1 |
| 32 | 0302008000 | Washer-M8 | 2 |
| 33 | 0101008025 | Bolt-M8×25 | 1 |
| 34 | LVSB11010/02 | Spacer | 1 |

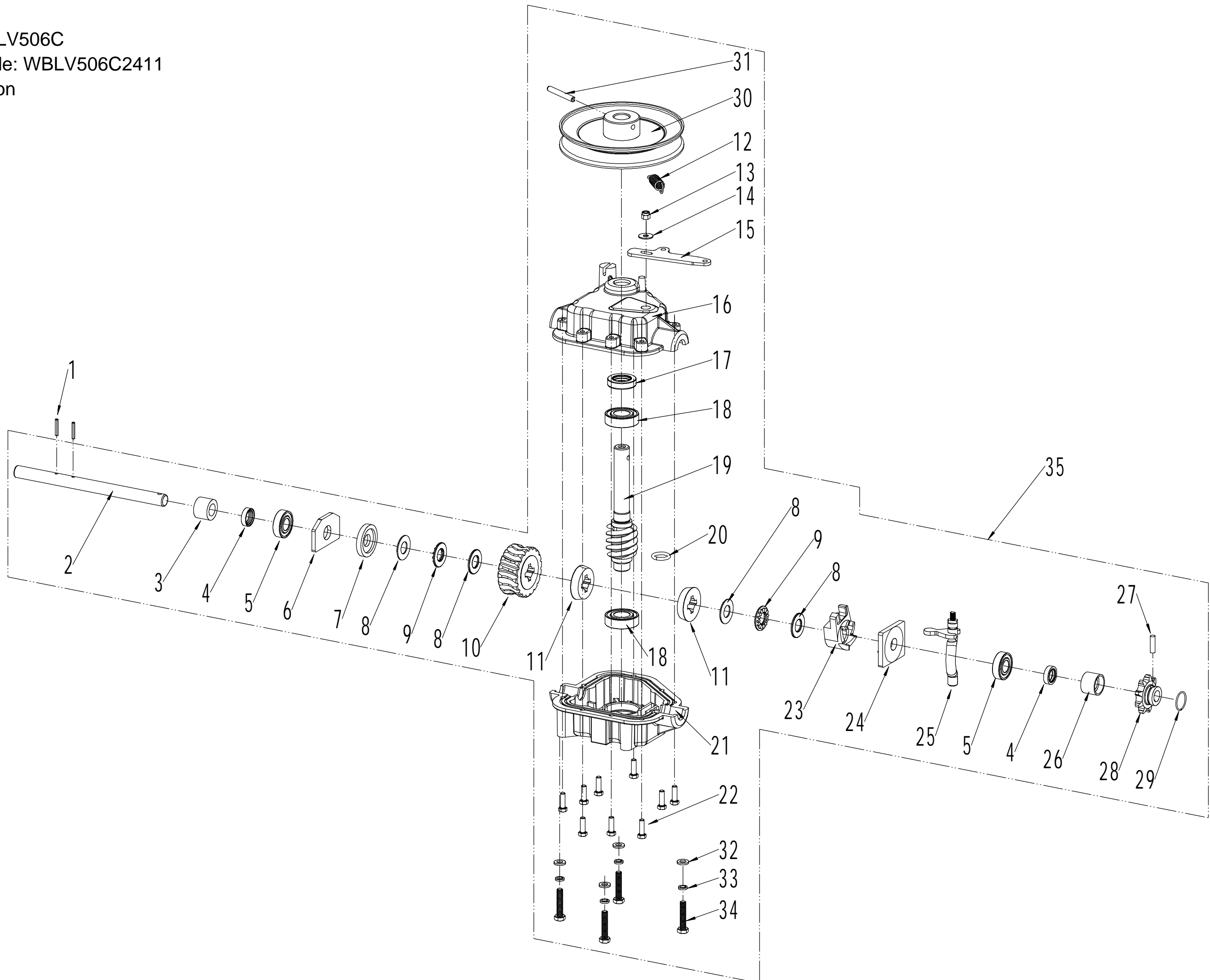
| 2 | Part2 Main Body Spare Parts List | | |
|-------|----------------------------------|------------------------|----------|
| Order | Part Number | Name_English | Quantity |
| 35 | LVSB12000/44 | Cover | 1 |
| 36 | LVSB13010 | Spring | 1 |
| 37 | LVSB14010/02 | Spacer 1 | 2 |
| 38 | 0302012000 | Washer-M12 | 4 |
| 39 | 0401012000 | Spring Washer-M12 | 2 |
| 40 | 0101012025 | Bolt-M12×25 | 2 |
| 41 | LVSB15000/44 | Wheel Bracket | 1 |
| 42 | 0101012040 | Bolt-M12×40 | 2 |
| 43 | 0301012000 | Washer-M12 | 2 |
| 44 | 0202012000 | Lock Nut-M12 | 2 |
| 45 | LVSB17010 | Universal Wheel Brakes | 1 |
| 46 | LVSB16010 | Universal Wheels | 1 |
| 47 | LVSB18010 | Nozzle | 1 |
| 48 | LVSB22010/02 | Spacer | 1 |
| 49 | 0101010025 | Bolt-M10×25 | 1 |
| 50 | LVSB21000 | Discharge Chute | 1 |
| 51 | 0301010000 | Washer-M10 | 4 |
| 52 | 0101010016 | Bolt-M10×16 | 4 |
| 53 | 0101006020 | Bolt-M6×20 | 7 |
| 54 | 0301006000 | Washer-M6 | 7 |
| 55 | LVSB19010/22 | Clamp | 1 |
| 56 | LVSB20010 | Spacer | 1 |
| 57 | 40E0109000 | Pressing Line Plate | 3 |
| 60 | LVSA15000 | Location-limited Plate | 1 |
| 61 | 0102008016 | Bolt-M8×20 | 8 |
| 62 | LVSA06020/04 | Dish Washer | 1 |
| 63 | 0101005016 | Bolt - M5*16 | 2 |

Model: WBLV506C
Service code: WBLV506C2411
Tensional Pulley



| 3 | Part3 Tensional Pulley Spare Parts List | | |
|-------|---|-------------------------|----------|
| Order | Part Number | Name_English | Quantity |
| 1 | LVSC02010/02 | Tensional Plate | 1 |
| 2 | LVSC01010/02 | Tensional Plate Spacer | 1 |
| 3 | 0102008025 | Bolt - M8x25 | 1 |
| 4 | 5340131010/02 | Tensional Pulley Bolt | 1 |
| 5 | 5340128010 | Tensional Pulley | 1 |
| 6 | 609-2RS | Bearing | 2 |
| 7 | 5340130010/02 | Spacer 2 | 1 |
| 8 | 0901024000 | Internal Circlip - 24mm | 1 |
| 9 | LVSC04010/02 | Spacer 1 | 1 |
| 10 | LVSC03010 | Spring | 1 |
| 11 | 0301008000 | Washer - M8 | 1 |
| 12 | 0202008000 | Lock Nut - M8 | 1 |

Model: WBLV506C
Service code: WBLV506C2411
Transmission

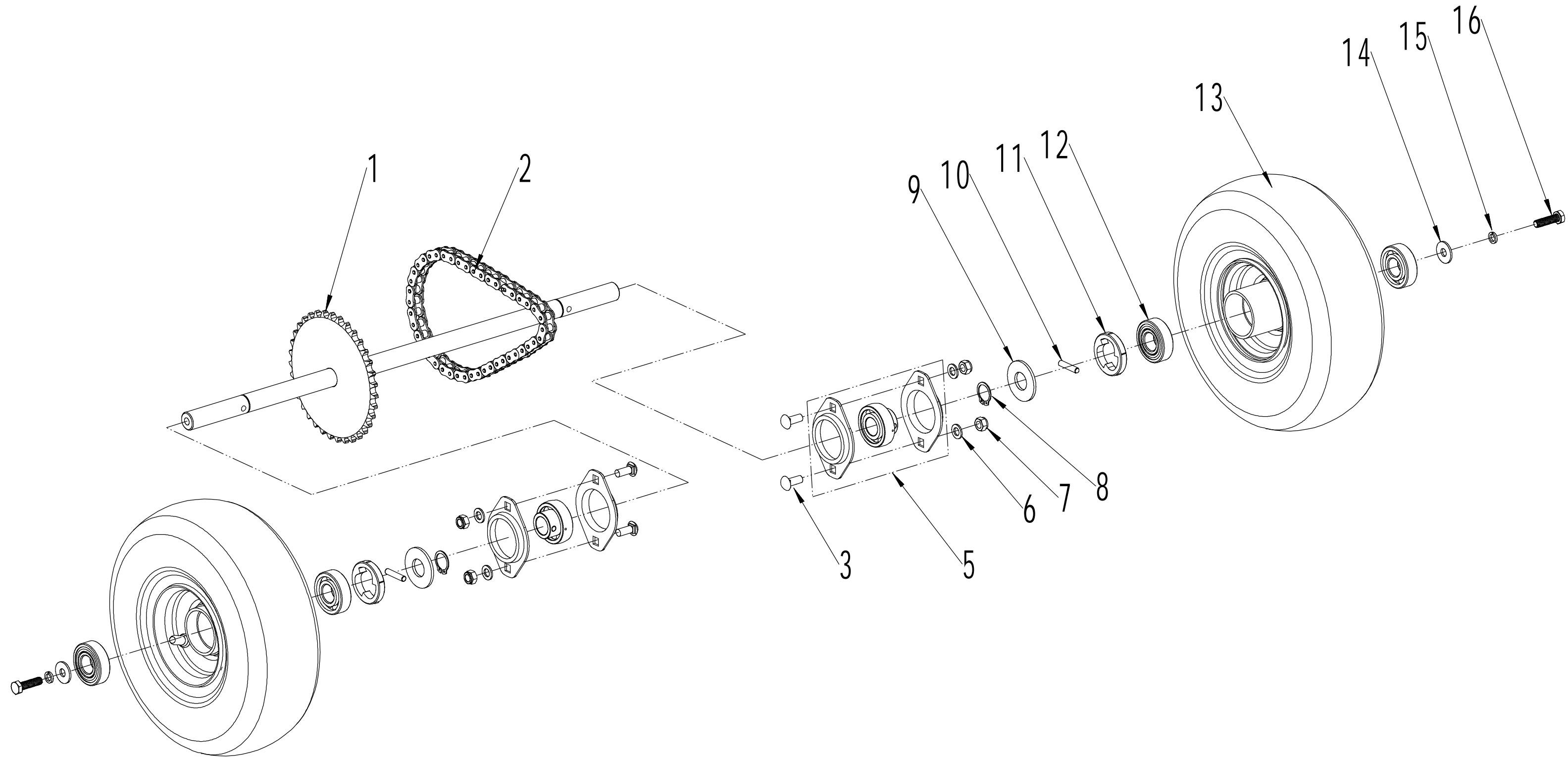


| 4 | | Part4 Transmission Spare Parts List | |
|-------|---------------|-------------------------------------|----------|
| Order | Part Number | Name_English | Quantity |
| 1 | HQ10118010 | Pin | 2 |
| 2 | SW8002A08/00 | Transmission Axle | 1 |
| 3 | HQ10111010 | Bearing | 1 |
| 4 | HQ10110011 | Oil Seal Ring | 2 |
| 5 | R8-2RS | Bearing | 2 |
| 6 | HQ10121010/02 | Spacer | 1 |
| 7 | HQ10120010 | Spacer | 1 |
| 8 | HQ10115010 | Spacer | 4 |
| 9 | HQ10116010 | Bearing | 2 |
| 10 | SW8002A02 | Worm Wheel | 1 |
| 11 | SW8002A03 | Taper Bush | 2 |
| 12 | HQ10109010 | Spring | 1 |
| 13 | 0202005000 | Lock Nut - M5 | 1 |
| 14 | 0302005000 | Washer - M5 | 1 |
| 15 | LVDD04010/02 | Connecting Rod | 1 |
| 16 | SW8002A06 | Lower Shield | 1 |
| 17 | 1501603007 | Seal Ring | 1 |
| 18 | 6003-2RS | Bearing | 2 |
| 19 | SW8002A01/04 | Worm | 1 |
| 20 | HQ10107011 | O Ring | 1 |
| 21 | SW8002A05 | Upper Shield | 1 |
| 22 | 0103005018A | Screw - M5x18 | 9 |
| 23 | HQ10113011 | Cam A | 1 |
| 24 | HQ10112011 | Cam B | 1 |
| 25 | HQ10106010/04 | Axle Weldment | 1 |
| 26 | HQ10111020 | Bearing | 1 |
| 27 | 0702004018 | Pin - 4x18 | 1 |
| 28 | SW8002A09/02 | Drive Chain Wheel | 1 |
| 29 | SW8002A10 | Check Ring | 1 |
| 30 | LVDD03000/02 | Pulley | 1 |
| 31 | 0701005040 | Pin - 5x40 | 1 |
| 32 | 0401006000 | Washer - M6 | 4 |
| 33 | 0401006000 | Spring Washer - M6 | 4 |
| 34 | 0101006030 | Bolt - M6x30 | 4 |
| 35 | YLV50B | Transmission Box | 1 |

Model: WBLV506C

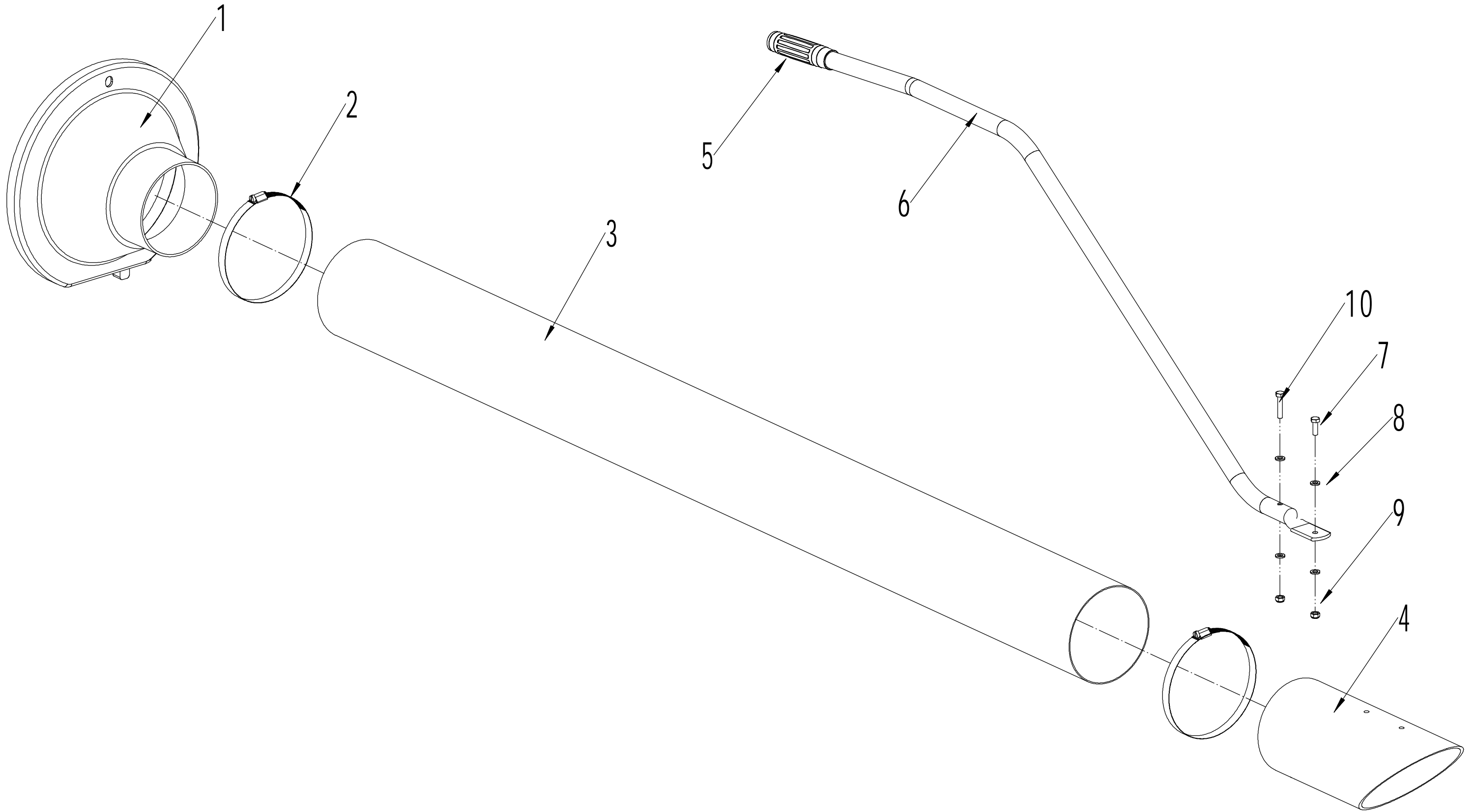
Service code: WBLV506C2411

Rear Axle



| 5 | Part5 Rear Axle Spare Parts List | | |
|-------|----------------------------------|--------------------|----------|
| Order | Part Number | Name_English | Quantity |
| 1 | LVDE01000/22 | Rear Axle Weldment | 1 |
| 2 | 08A0164 | Chain | 1 |
| 3 | 0107008020 | Bolt - M8x20 | 4 |
| 5 | PFLSA204 | Bearing | 2 |
| 6 | 0301008000 | Washer - M8 | 4 |
| 7 | 0202008000 | Lock Nut - M8 | 4 |
| 8 | 1001020000 | Check Ring - M20 | 2 |
| 9 | SW805102/02 | Spacer | 2 |
| 10 | 0702006029 | Pin - 6x29 | 2 |
| 11 | SW800401/04 | Cluth Bush | 2 |
| 12 | 6204-2RS | Bearing | 4 |
| 13 | LVLZ012 | Rear Wheel | 2 |
| 14 | 0302008000 | Spacer - M8 | 2 |
| 15 | 0401008000 | Spring Washer - M8 | 2 |
| 16 | 0101008020 | Bolt - M8x20 | 2 |

Model: WBLV506C
Service code: WBLV506C2411
Vacuum Nozzle



| 6 | | Part6 Vacuum Nozzle Spare Parts List | |
|-------|--------------|--------------------------------------|----------|
| Order | Part Number | Name_English | Quantity |
| 1 | LVSF01010 | Air Inlet | 1 |
| 2 | LVSF0511 | Clamp Ring | 2 |
| 3 | LVSF02013A1 | Hose | 1 |
| 4 | LVSF0610 | Nozzle | 1 |
| 5 | 81EB02060 | Handle Sheath | 1 |
| 6 | LVSF04010/22 | Handle | 1 |
| 7 | 0101006020 | Bolt - M6x20 | 1 |
| 8 | 0301006000 | Spacer | 4 |
| 9 | 0202006000 | Lock Nut - M6 | 2 |
| 10 | 0101006035 | Bolt - M6x35 | 1 |