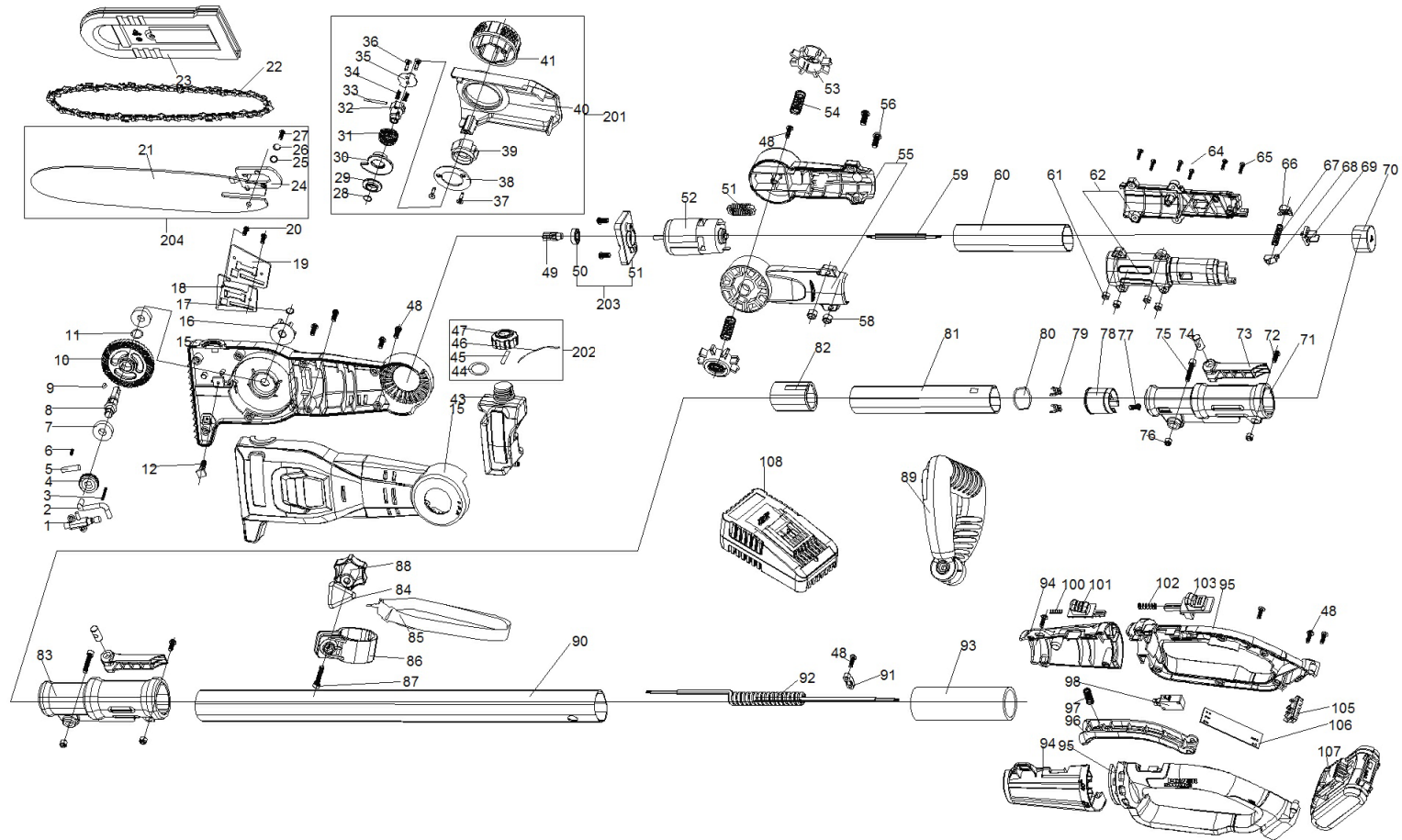


WG349E



## WG349E

	Part No	Description	Qty
1	60054310	Small Oil Pump	1
2	60054311	Long Tubing	1
3	60054312	Spring	1
4	60054313	Worm Gear	1
5	60054314	Short Tubing	1
6	60054315	Spring	1
7	60054316	Bearing 609	2
8	60054317	Axis	1
9	60054318	Half-Round Key	1
10	60054319	Disk Teeth	1
11	60054320	∅9 Circlip	1
12	60054321	Screw	1
15	60054324	Left/Right Housing	1
16	60054325	Sprockets	1
17	60054326	∅6 Retaining Spring	1
18	60054327	Guide Plate	2
19	60054328	Guide Pad	1
20	60054329	Screw M4X8	1
21	60054330	Chain Plate	1
22	60054331	Chain	1

## WG349E

	Part No	Description	Qty
23	60054332	Chain Saw Scabbard	1
24	60054333	Adjustment Plate	1
25	60054334	Gaskets	1
26	60054335	M4 Spring Washer	3
27	60054336	M4 Screws	1
28	60054337	Collar	1
29	60054338	Pressing Plate	1
30	60054339	Tension Plate	1
31	60054340	Left-Handed Spring	1
32	60054341	Hexagonal Axis	1
33	60054342	Pin	1
34	60054343	Return Spring	2
35	60054344	Spring Washer	1
36	60054345	Screw M3X6	2
37	60054346	Screw ST3.5*14	2
38	60054347	Gaskets	1
39	60054348	Inner Hexagonal Head	1
40	60054349	Guide Cover	1
41	60054350	Lock Knob	1
43	60054351	Oil Can	1


## WG349E

	Part No	Description	Qty
44	60054352	Seal Ring	1
45	60054353	Pull Ring Clamp	1
46	60054354	Nylon Thread	1
47	60054355	Oil Can Lid	1
48	60054356	Screw ST3.9*16	18
49	60054357	Gear	1
50	60054358	Bearings 619/8	1
51	60054359	Fixed Plate	1
52	60054360	Motor	1
53	60054361	Button	2
54	60054362	Spring 0.9*10.9*30	2
55	60054363	Left/Right Rotary Handle	1
56	60054364	Screw M4X16	2
58	60054365	Self-Locking Nut M4	2
59	60054366	Connecting Wire	1
60	60054367	Connecting Rod (Short)	1
61	60054368	Self-Locking Nut M3	4
62	60054369	Left/Right Connection Handle	1
64	60054370	Screws M3X14	4
65	60054371	Screw ST2.9*12	2


## WG349E

	Part No	Description	Qty
66	60054372	Button Right	1
67	60054373	Spring 0.7*6.8*32	1
68	60054374	Button Left	1
69	60054375	Connecting Insert Seat	1
70	60054376	Protection Cap	1
71	60054377	Connection Sleeve	1
72	60054378	Screw M5*32	2
73	60054379	Locking Wrench	2
74	60054380	Locking Pin	2
75	60054381	Screw M5*12	2
76	60054382	Locking Nut M5	4
77	60054383	Screw St3X12	1
78	60054384	Connecting Tab Seat	1
79	60054385	Connecting Tab	2
80	60054386	Circuit Board	1
81	60054387	Connecting Rod	1
82	60054388	Plug	1
83	60054389	Connection Sleeve	1
84	60054622	Hang buckle	1
85	60054623	Strap	1

## WG349E

	Part No	Description	Qty
86	60054624	Pull sleeve	1
87	60054625	Screws M6*25	2
88	60054626	4 # knob	1
90	60054395	Large Connecting Rod	1
91	60054396	Cable Press Plate	1
92	60054397	Spring Line	1
93	60054398	Sponge Cover	1
94	60054399	Left/Right Handle Connector	1
95	60054627	Left/Right Handle	1
96	60054401	Switch Handle	1
97	60054402	Spring 0.8*7.8*22	1
98	60054403	Switch	1
100	60054404	Spring 0.5X4.2X15	1
101	60054405	Rotary Switch	1
102	60054406	Spring 0.6*6.2*22	1
103	60054407	Switch Lock Button	1
105	60054628	European insert seat	1
106	60054409	Circuit Board 2	1
107	50032288	"Battery Pack(Li-ion,2.0Ah,20V) WA3551"	1
108	50036688	"Charger(100-240V,2.0Ah,20V)WA3880"	1

## WG349E

	Part No	Description	Qty
201	60054410	Guide Cover Assembly	1
202	60054411	Oil Can Lid Assembly	1
203	60054412	Fixed Plate Assembly	1
204	60054413	Guide Bar Assembly	1
205	60054629	Inductance	1
206	60063965	Motor assembly	1