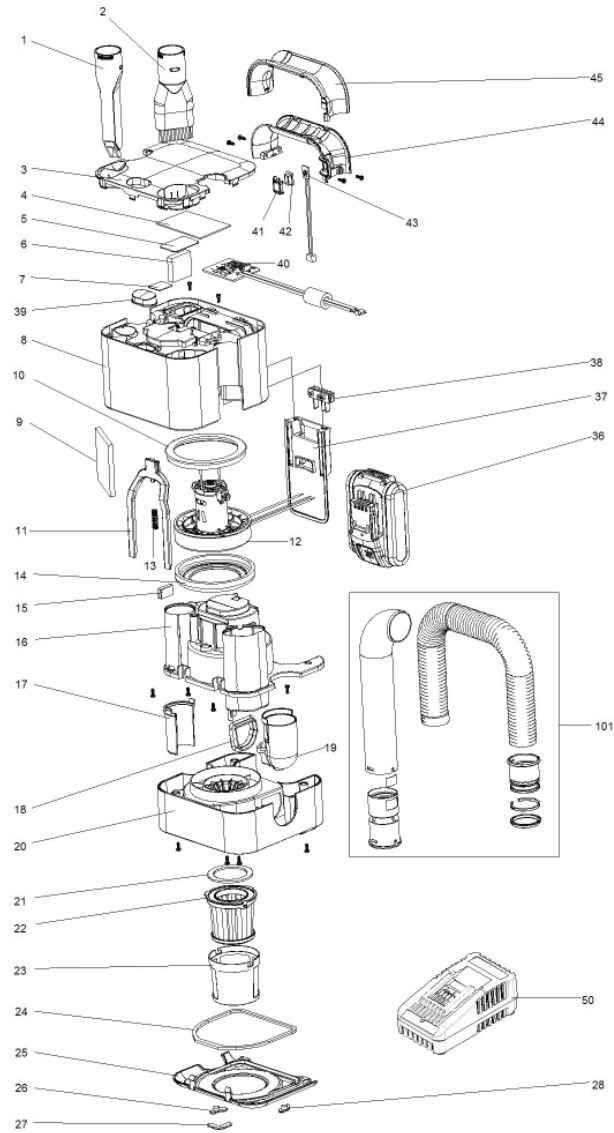



WX030.1



WX030.1

	Part No	Description	Qty
1	60053977	Flat Suction	1
2	60053978	Brush	1
3	60053979	Shang Gai	1
4	60053980	Eva 50 74	1
5	60053981	Eva 41 28 1	1
6	60053982	Sponge	1
7	60053983	Eva 1 19 21	1
8	60053984	Body 3	1
9	60053985	Sponge A	1
10	60053986	Motor cover pad	1
11	60053987	Connecting rod	1
12	60053988	Motor	1
13	60053989	Connecting rod spring	1
14	60053990	Motor Seal	1
15	60053991	Magnet	1
16	60053992	Motor cover	1
17	60053993	Bushing	1
18	60053994	Joint seal	1
19	60053995	Air inlet connector	1
20	60053996	Dust cup	1

WX030.1

	Part No	Description	Qty
21	60053997	Hepa seal	1
22	60053998	Haipa filter assembly	1
23	60053999	Filter cover assembly	1
24	60054000	Seal ring	1
25	60054001	Under cover	1
26	60054002	Foot Pad A	1
27	60054003	Foot Pad C	2
28	60054004	Foot Pad B	1
36	50032288	"Battery Pack(Li-ion,2.0Ah,20V) WA3551"	1
37	60054005	Fixing plate	1
38	60054006	Terminal Body	1
39	60054007	Button	1
40	60054008	PCB	1
41	60054009	Switch button	1
42	60054010	Elastic pad	1
43	60054011	Switch PCB Set	1
44	60054012	Handle cover	1
45	60054013	Handle cover	1
50	50036688	"Charger(100-240V,2.0Ah,20V)WA3880"	1
101	60054016	Vacuum hose set	1