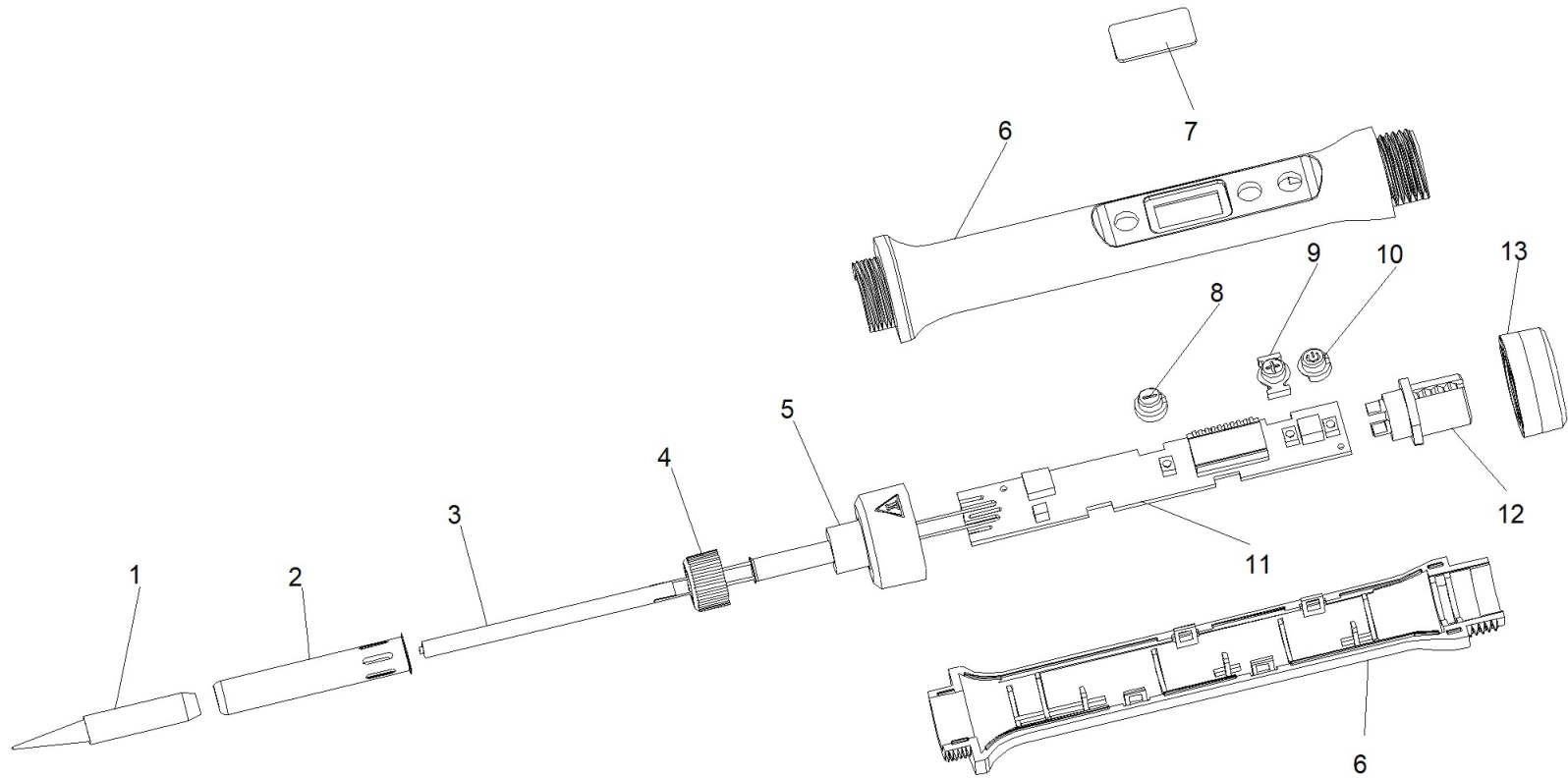



WX744.9



**WX744.9**

	Part No	Description	Qty
1	60064956	Soldering iron tip	1
2	60064957	Tube	1
3	60064958	Heating Element	1
4	60064959	Knob	1
5	60064960	Front cover	1
6	60065144	Left/Right housing	1
7	60064962	Glass screen	1
8	60064963	Minus button	1
9	60064964	Add button	1
10	60064965	Switch knob	1
11	60065145	PCB	1
12	60064967	Power terminal	1
13	60064968	Back Cover	1