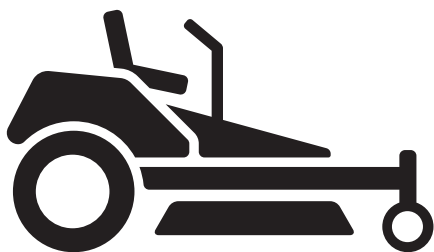




Husqvarna®



Collection System



| | | |
|-------|-----------------------------|---------|
| EN | Operator's manual | 2-9 |
| BG | Ръководство за експлоатация | 10-19 |
| BS | Korisnički priručnik | 20-27 |
| CS | Návod k použití | 28-35 |
| DA | Brugsanvisning | 36-44 |
| DE | Bedienungsanweisung | 45-53 |
| EL | Οδηγίες χρήσης | 54-63 |
| ES | Manual de usuario | 64-72 |
| ET | Kasutusjuhend | 73-80 |
| FI | Käyttöohje | 81-88 |
| FR | Manuel d'utilisation | 89-97 |
| HR | Priručnik za korištenje | 98-105 |
| HU | Használati utasítás | 106-114 |
| IT | Manuale dell'operatore | 115-123 |
| KO | 사용자 설명서 | 124-131 |
| LT | Operatoriaus vadovas | 132-139 |
| LV | Lietošanas pamācība | 140-147 |
| NL | Gebruiksaanwijzing | 148-156 |
| NO | Bruksanvisning | 157-164 |
| PL | Instrukcja obsługi | 165-173 |
| PT | Manual do utilizador | 174-182 |
| PT-BR | Manual do operador | 183-191 |
| RO | Instrucțiuni de utilizare | 192-200 |
| RU | Руководство по эксплуатации | 201-210 |
| SK | Návod na obsluhu | 211-219 |
| SL | Navodila za uporabo | 220-227 |
| SR | Priručnik za rukovaoca | 228-235 |
| SV | Bruksanvisning | 236-243 |
| TR | Kullanım kılavuzu | 244-251 |
| UK | Посібник користувача | 252-261 |

Contents

| | | | |
|-------------------|---|---|---|
| Introduction..... | 2 | Maintenance..... | 8 |
| Safety..... | 3 | Troubleshooting..... | 8 |
| Installation..... | 6 | Transportation, storage and disposal..... | 9 |
| Operation..... | 7 | | |

Introduction

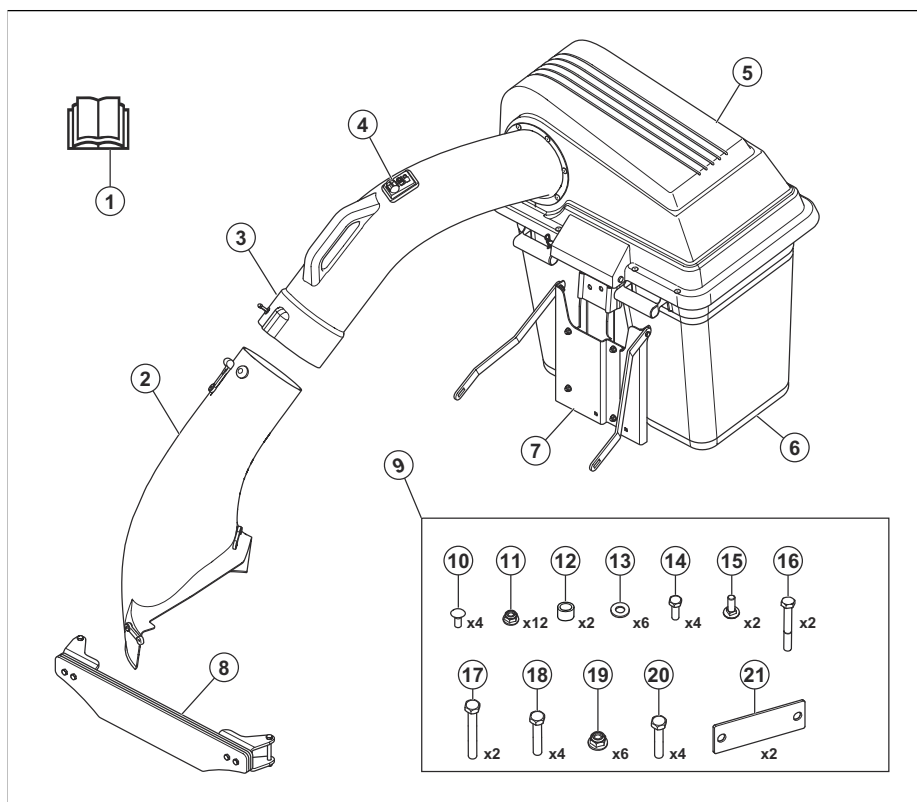
Product description

This product is a grass collection system. The collected grass can be used as compost for the lawn or plant beds, or disposed as yard waste.

Intended use

This product is made to collect grass clippings during mow operation to give your lawn a manicured look. Do not use the product for other tasks.

Product overview



- | | |
|-------------------------|--------------------------------|
| 1. Operator's manual | 8. Front weight |
| 2. Side discharge chute | 9. Hardware bag |
| 3. Collector chute | 10. Carriage bolt, 5/16-18x3/4 |
| 4. Full bag indicator | 11. Nut, 5/16 |
| 5. Hood | 12. Spacer |
| 6. Bag | 13. Washer |
| 7. Collector bracket | 14. Hex bolt, 5/16-18x1 |

- 15. Carriage bolt, 5/16-18x1-1/4
- 16. Hex bolt, 5/16-18x2-1/4
- 17. Hex bolt, 3/8-16x3-1/2
- 18. Hex bolt, 3/8-16x2-1/2
- 19. Nut, 3/8
- 20. Hex bolt, 3/8-16x2-1/4
- 21. Reinforcement plate

- the product is incorrectly repaired.
- the product is repaired with parts that are not from the manufacturer or not approved by the manufacturer.
- the product has an accessory that is not from the manufacturer or not approved by the manufacturer.
- the product is not repaired at an approved service center or by an approved authority.

Product damage

We are not responsible for damages to our product if:

Safety

Safety definitions

Warnings, cautions and notes are used to point out specially important parts of the manual.



WARNING: Used if there is a risk of injury or death for the operator or bystanders if the instructions in the manual are not obeyed.



CAUTION: Used if there is a risk of damage to the product, other materials or the adjacent area if the instructions in the manual are not obeyed.

Note: Used to give more information that is necessary in a given situation.

General safety instructions



WARNING: Read the warning instructions that follow before you use the product



WARNING: This product is capable of amputating hands and feet and throwing objects. Failure to observe the following safety instructions could result in serious injury or death.



WARNING: Failure to follow cautious operating practices can result in dangerous injury to the operator or other persons. The owner must understand these instructions, and must let only approved persons who understand these instructions to operate the mower. Each person operating the mower must be of sound mind and body and must not be under the influence of mind altering substances.

- Read, understand, and follow instructions and warnings in this document, the operator's manual and on the product, engine and attachments.
- Only allow operators, who are responsible, trained, familiar with the instructions, and physically capable to operate the product.
- Make sure to inform a person that you are going to operate the product if an injury or accident occurs.
- Do not carry passengers and keep bystanders away.
- Do not operate the product while under the influence of alcohol or drugs.
- Follow the manufacturer's recommendation for wheel weights or counterweights.
- Learn how to use the product and its controls safely and learn how to stop the product quickly.
- Learn to recognize the safety decals.
- Keep the product clean to make sure that you can clearly read signs and stickers.
- Keep in mind that the operator will be held responsible for accidents that involve other persons or their property.
- Only use the product in daylight or in other well-lit conditions. Keep the product at a safe distance from holes or other irregularities in the ground. Look out for other possible risks.
- Do not let children or other persons not approved for operation of the product to use or do servicing on it. Local laws may regulate the age of the user.
- Make sure that nobody else is in the vicinity of the product when you start the engine, engage the drive or start to move the product.
- Keep an eye on the traffic when you mow near a road or move across a road.
- Do not use the product if you are fatigued, while under the influence of alcohol or drugs, medicine or anything that can have a negative effect on your vision, alertness, coordination or judgement.
- Always park the product on a level surface with the engine stopped.
- Do not modify or install non-standard equipment to the unit without consent from the

manufacturer. Modifications to the unit may cause unsafe operations or damage the unit.

Safety instructions regarding children



WARNING: Children can be seriously injured or killed by this product. Read the warning instructions that follow before you use the product. Keep children away.

- Tragic accidents can occur if the operator is not alert to the presence of children. Children are often attracted to the product and the mowing activity. Never assume that children will remain where you last saw them.
- Keep children out of the operating area and under the watchful care of a responsible adult other than the operator.
- Keep an eye out and stop the product immediately, if children enter the work area. Be very careful near corners, bushes, trees or other objects that prevents a clear view.
- Use extreme care when going near blind corners, shrubs, trees, or other objects that can block your view of a child.
- Before and while you move the product in reverse, look behind you and look down for small children.
- Do not let children operate the product.
- The American Academy of Paediatrics recommends that children be a minimum of 16 years of age before operating a riding lawn mower.
- Do not carry children, even with the blade(s) shut off. Children could fall off and be seriously injured or interfere with safe product operation. Children who have been given rides in the past could suddenly appear in the mowing area for another ride and be run over or backed over by the product.

Safety instructions for operation



WARNING: Read the warning instructions that follow before you use the product.

- Do not operate the mower if the collector is not fully installed.
- Do not operate the mower with the collection system if the front weights are not installed.
- Make sure that all moving parts stop before you open the collection system.
- Make sure that all moving parts stop before you remove clogged grass from the collection system.
- Clear the area of objects such as stones, toys, wires, etc. that may become caught in the blades and be thrown out.
- Only let responsible adults operate the product.

- Make sure that the area is clear of all people and pets before mowing. Stop the product if anyone enters the area.
- Decrease speed before turning.
- Decrease the speed before you turn around a corner.
- Disengage the blades when the product does not mow.
- Close the collector cover before you start the product.
- Disengage the mower blades when you move the product across areas where thrown objects can be dangerous.
- Do not try to collect objects that can be thrown from the collection system.
- Use eye protection when you use the product. Thrown objects can cause eye damage.
- Make sure that the collection bags are empty after each use and before storage. Grass left in the collection bags may result in spontaneous combustion and could start a fire.
- Data shows that operators age 60 years and above are involved in a large percentage of riding mower-related injuries. These operators must evaluate if they can safely operate the riding mower sufficiently to protect themselves and others from injury.

Safety instructions before installation of the collection system



WARNING: Read the warning instructions that follow before you use the product.

- Park on level ground.
- Set parking brake.
- Set the control levers in the neutral position.
- Stop the engine and remove the ignition key.
- Make sure that all moving parts stop before you install the collection system.

Safety instructions for operation on slopes



WARNING: Read the warning instructions that follow before you use the product.

Slopes are a major factor related to accidents. Operation on slopes requires extra caution.

- Travel in the manufacturer recommended direction on slopes. Use caution while operating near dropoffs.
- Avoid mowing wet grass. The tires can lose traction.
- Do not operate product under any condition where traction, steering, or stability is in question. Tires could slide even if the wheels are stopped.

- Always keep the product in gear when going down slopes. Do not coast downhill.
- Avoid starting and stopping on slopes. Avoid making sudden changes in speed or direction. Make turns slowly and gradually.
- If the tires lose traction, disengage the blades and continue slowly straight down the slope.
- Use extra care while operating product with a grass catcher or other attachment(s). They can affect the stability of the product.
- To cut grass on slopes increases the risk that you can not control the product and that it overturns. This can cause injury or death. It is necessary to cut the grass carefully on all slopes. If you cannot reverse up a slope or if you do not feel safe, do not cut it.
- Remove stones, branches and other obstacles.
- Cut the grass on the slope up and down, not from side to side.
- Do not operate the product on ground that slopes more than 10°.
- Move smoothly and slowly on slopes.
- Look out for and do not move across furrows, holes and bumps. There is a higher risk that the product overturns on ground that is not flat. Long grass can hide obstacles.
- Do not cut grass near edges, ditches or banks. Keep at least the width of the machine away from these hazards. The product can suddenly overturn if a wheel moves across the edge of a steep slope or a ditch, or if an edge gives way.

Safety instructions for maintenance



WARNING: Read the warning instructions that follow before you use the product.



WARNING: The product is heavy and can cause injury or damage to property or the adjacent area. Do not do maintenance on the engine or the cutting deck without these conditions:

- The engine is off.
- The product is parked on a level surface.
- The parking brake is applied.
- The ignition key in stop position and removed.
- The blades are disengaged.
- All moving parts have stopped.

- The ignition cables are removed from the spark plugs.



WARNING: Fluid escaping under pressure may have sufficient force to penetrate skin and cause serious injury. If fluid is injected into the skin, seek immediate medical attention. Keep body and hands away from pin holes or nozzles that eject fluid under high pressure. If a leak occurs, have the product immediately serviced by a trained technician.



WARNING: The exhaust fumes from the engine contain carbon monoxide, an odorless, poisonous and very dangerous gas. Do not run the product in closed spaces or spaces with no sufficient air flow.

- Keep the product in good working order. Replace worn or damaged parts.
Use caution when servicing blades. Wrap the blade(s) or wear gloves. Replace damaged blades. Do not repair or alter blade(s).
If equipped, disconnect spark plug wire(s) and the negative battery cable before making any repairs.
For best performance and safety, do maintenance on the product regularly as given in the maintenance schedule. Refer to *Maintenance schedule on page 8*.
- Electrical shocks can cause injuries. Do not touch the cables when the engine is on. Do not do a function test on the ignition system with your fingers.
- Let the product become cool before you do maintenance near the engine.
- The blades are sharp and can cause cuts. Wind protection around the blades or use protective gloves when you do work on the blades.
- Do not turn the engine over if the spark plug or ignition cable is removed.
- Make sure that all nuts and bolts are tightened correctly and that the equipment is in good condition.
- Do not change the adjustment of governors. If the engine speed is too high, the product components can become damaged.
- The product is approved only with the equipment supplied or recommended by the manufacturer.
- Use only original parts for repairs. The use of other parts voids the warranty.

Installation

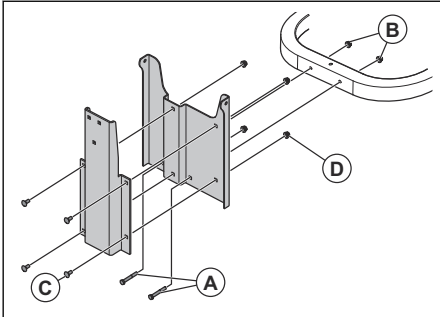
Introduction



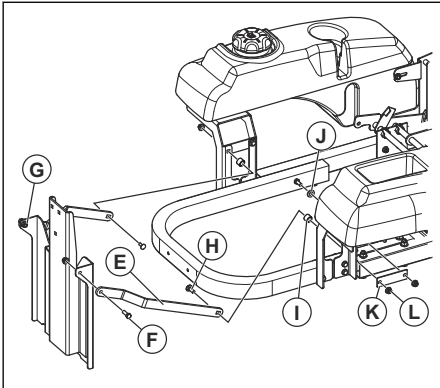
WARNING: Read and understand the safety chapter before you install the product.

To install the collector bracket

1. Install the support bracket on the frame with 2x 5/16-18x2-1/4 hex bolts (A) and 2x 5/16 nuts (B).



2. Install the hanger bracket to the support bracket with 4x 5/16-18x3/4 carriage bolts (C) and 4x 5/16 nuts (D).
3. Install the support straps to the support bracket.

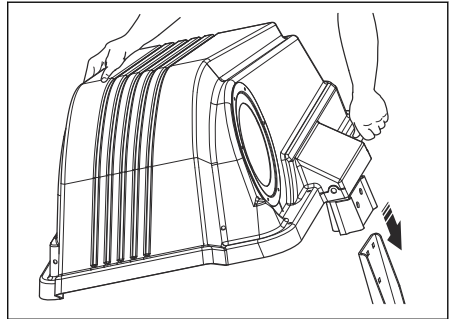


4. Install the straps (E) to the support bracket with 2x 5/16-18x1-1/4 carriage bolts (F) and 2x 5/16 nuts (G).
5. Install the straps to the tank brackets with 4x 5/16-18x1 hex bolts (H), 2x spacer (I), 2x washer (J), 2x reinforcement plates (K), and 4x 5/16 nuts (L).

To install the collector hood

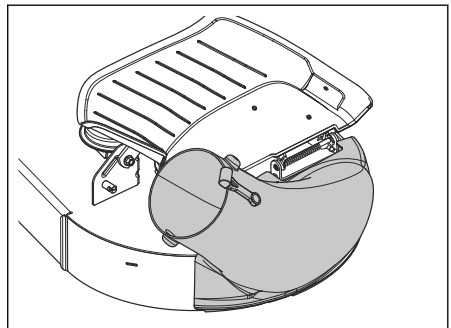
1. Install the collector bracket. Refer to *To install the collector bracket on page 6*.

2. Put the collector hood on the collector bracket.



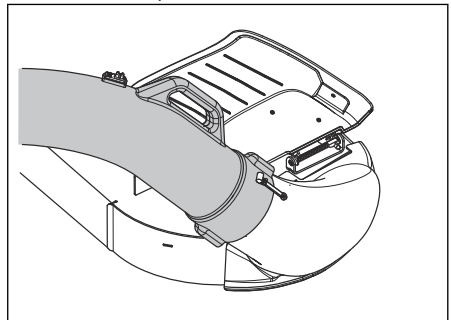
To install the side discharge chute

1. Lift the side discharge cover.
2. Put the side discharge chute around the cover bracket.
3. Attach the side discharge chute latches to the mower deck.



To install the collector chute

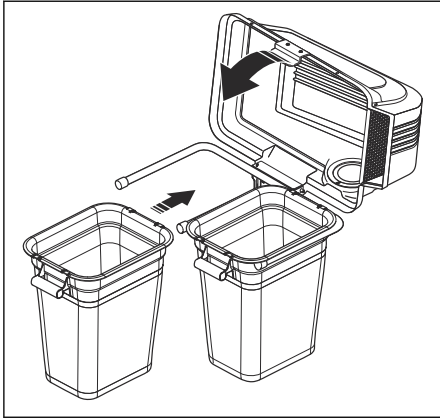
1. Put the collector chute onto the side discharge chute.
2. Attach the strap.



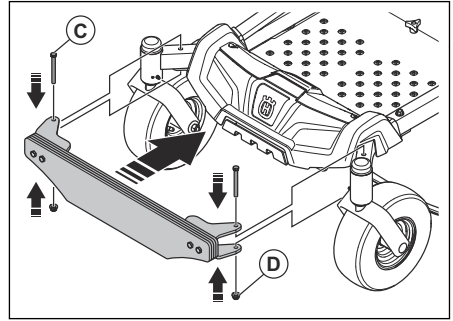
3. Put the collector chute into the opening on the collector hood.

To install the bags

1. Tilt the collector hood.
2. Put the 2 bags on the support frame.
3. Close the collector hood.



2. Align the holes in the brackets with the holes in the frame.



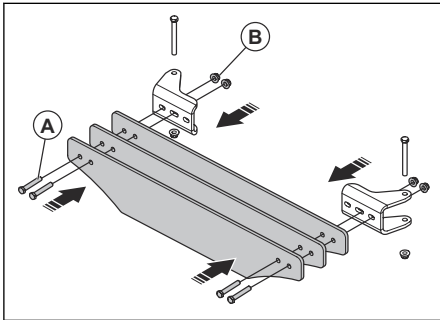
3. Install the 3/8-16x3-1/2 bolts (C) and the 3/8 nuts (D).
4. Tighten all nuts.

To install the front weight



WARNING: Do not use the collection system without front weights.

1. Install the front weight plates to the brackets with 4x 3/8-16x2-1/4 hex bolts (A) and 4x 3/8 nuts (B). Do not fully tighten the nuts.



Operation

Introduction



WARNING: Before you operate the product, you must read and understand the safety chapter.

To operate the product

- Obey the operation instructions in the Operator's manual for the mower.

- Operate the engine at full speed when you use the collection system.
- Move the product forward at low speed to get a good cutting result and good collection result.
- Cut the grass 2 times if grass is high and thick. The first cut must be at the highest cutting height and the second time at the correct height.
- Use the left side of the mower to cut near objects.

- Do not cut a wet lawn. Wet grass is more possible to become clogged in the collection system.
- Empty the collection bags if the collection system does not collect the cut grass. Make sure that the collector chute is not clogged if the problem stays when the collection bags are empty.
- Stop the mower and make sure that the collection system is not damaged if you hit a loose object.
- Prevent the collector chute from being twisted.
- Do not drag the collector chute along the sides of buildings or other hard surfaces.

Maintenance

Introduction



WARNING: Before you do any maintenance work you must read and understand the safety chapter.

X = The instructions are given in this operator's manual.

O = Refer to the engine manual for instructions.

Maintenance schedule for the operator

Maintenance schedule

* = The instructions are not given in this operator's manual.

| Maintenance | Daily maintenance | Maintenance interval in hours | | |
|---|-------------------|-------------------------------|----|----|
| | Before use | 5 | 25 | 50 |
| Do a check of and clean the collection bags. | X | X | | |
| Make sure that the nuts and screws are tightened. | X | | | |
| Make sure that the collector chute is tightened. | X | | | |
| Clean the product. | | | | X |

To clean the product

- Use a brush to remove unwanted material and grass on the product.
- If it is necessary, use a high-pressure washer and a weak cleaning agent. Do not exceed 1000 psi (68.9 Bar) water pressure.

Troubleshooting

Troubleshooting schedule

If you cannot find a solution to your problems in this operator's manual, speak to your Husqvarna service agent.

| Problem | Cause |
|------------------------------|---|
| Loss of air flow. | The collector chute or the collector cover inlet are clogged. |
| | The container is full. |
| | The fabric in the collector is clogged. |
| Unusual vibrations or noise. | A solid object is in the collector. |
| | Loose or missing screws or nuts. |

| Problem | Cause |
|---------------------------------------|---|
| The collector cover is hard to close. | Objects in the collector cause a blockage of the collector cover. |
| | The collector cover hinge screws are too tight. |

Transportation, storage and disposal

Transportation

- Do not tow the product.
- The product is heavy and can cause crush injuries. Be careful when you load it onto or off a vehicle or trailer.
- Load the product in reverse on approved ramps of a maximum operation angle of 10°. Do not lift the product.
- Use an approved trailer for transportation of the product.
- Make sure that you have knowledge of local road traffic regulations before transportation of the product in a trailer or on roads.
- Lock the product with approved devices, such as straps. Use tie-down points on the product or applicable areas of the frame. The parking brake is not sufficient to lock the product during transportation.

the product become cool before you put it in storage.

-
- Clean the product, refer to *To clean the product on page 8*.
 - Remove unwanted materials from the cooling fan.
 - Repair paint damages to prevent corrosion.
 - Examine the product for worn or damaged parts and tighten loose screws and nuts.
 - Remove the battery. Clean it, charge it, and keep it cool during storage.
 - Replace the engine oil, and discard the waste oil.
 - Empty the fuel tank. Start the engine and run it until there is no remaining fuel in the carburetor.

Note: Do not empty the fuel tank and carburetor if a stabilizer has been added.

- Remove the plugs and put about a tablespoon of engine oil into each cylinder. Manually turn the engine shaft to apply the oil and put the plugs back on.
- Lubricate all grease nipples, joints and axles.
- Keep the product in a clean and dry area and put a cover on it for more protection.

Storage

Prepare the product for storage at the end of the season, and before more than 30 days of storage. If you keep fuel in the fuel tank for 30 days or more, tacky particles can cause blockage in the carburetor. This has a negative effect on the engine function.

To prevent tacky particles during storage, add a stabilizer. If alkylate gasoline is used, stabilizer is not necessary. If you use standard gasoline, do not change to alkylate gasoline. This can cause sensitive rubber parts to become hard. Add stabilizer to the fuel in the tank or in the container used for storage. Always use the mixing ratios given by the manufacturer. Add the stabilizer and run the engine for a minimum of 10 minutes, until the fuel flows into the carburetor.



WARNING: Do not keep the product with fuel in the tank in an indoor location or in locations with bad airflow. Risk of fire if fuel fumes come near open flames, sparks, or pilot lights in for example boilers, hot water tanks and clothes dryers.



WARNING: Remove grass, leaves and other flammable materials from the product to decrease the risk of fire. Let

Съдържание

| | | | |
|------------------|----|--|----|
| Въведение..... | 10 | Поддръжка..... | 17 |
| Безопасност..... | 11 | Отстраняване на проблеми..... | 17 |
| Инсталиране..... | 14 | Транспортиране, съхранение и изхвърляне..... | 18 |
| Операция..... | 16 | | |

Въведение

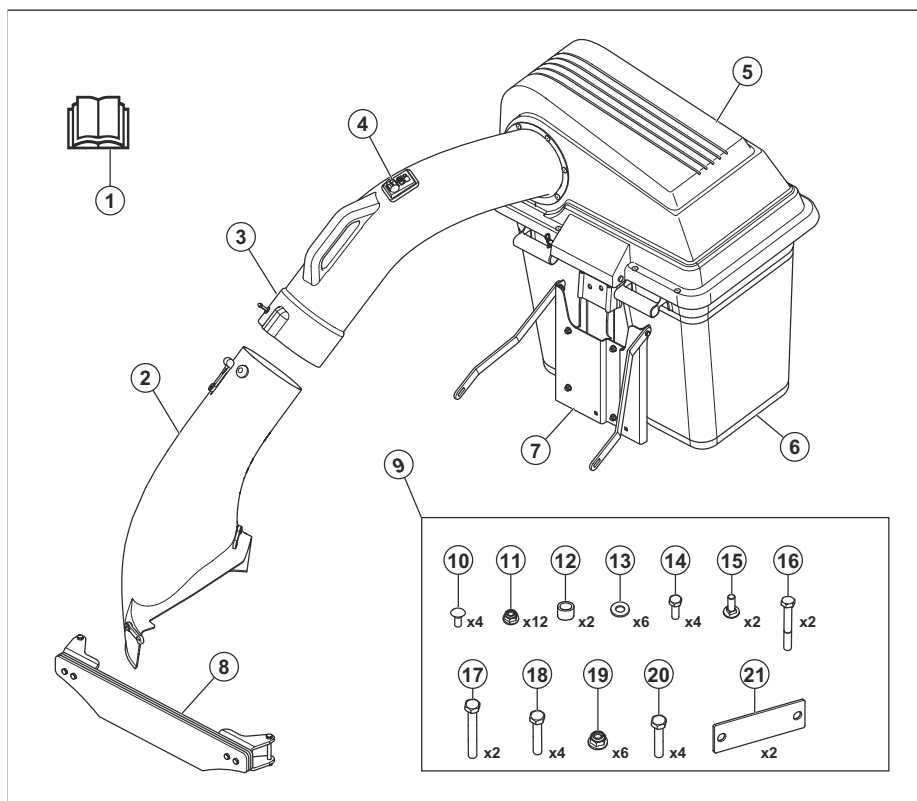
Описание на продукта

Този продукт представлява система за събиране на трева. Събраната трева може да се използва като компост за моравата или лехите с растения или да се изхвърли като дворни отпадъци.

Предназначение

Този продукт е създаден за събиране на окосена трева по време на косене, за да придаде на моравата Ви поддържан вид. Не използвайте продукта за други задачи.

Общ преглед на продукта



1. Ръководство за оператора
2. Страничен разтоварителен улей
3. Улей на колектора
4. Индикатор за пълна торбичка
5. Капак
6. Чанта

7. Планка на колектора
8. Тежест на предната част
9. Торба с крепежни елементи
10. Болт на брава, 5/16-18x3/4
11. Гайка, 5/16
12. Дистанционен елемент

13. Шайба
14. Шестостенен болт, 5/16-18x1
15. Болт на брава, 5/16-18x1-1/4
16. Шестостенен болт, 5/16-18x2-1/4
17. Шестостенен болт, 3/8-16x3-1/2
18. Шестостенен болт, 3/8-16x2-1/2
19. Гайка, 3/8
20. Шестостенен болт, 3/8-16x2-1/4
21. Укрепваща пластина

- продуктът е неправилно ремонтиран.
- продуктът е ремонтиран с части, които не са от производителя или не са одобрени от производителя.
- продуктът има принадлежност, която не е от производителя или не е одобрена от производителя.
- продуктът не е ремонтиран в одобрен сервизен център или от одобрен орган.

Повреда на продукта

Ние не носим отговорност за повреди по нашия продукт, ако:

Безопасност

Дефиниции за безопасност

Предупреждения, знаци за внимание и бележки се използват за указване на особено важни части на инструкцията.



ПРЕДУПРЕЖДЕНИЕ:

Използва се, ако има опасност от нараняване или смърт за оператора или за околните, ако не се спазват инструкциите в ръководството.



ВНИМАНИЕ:

Използва се, ако има опасност от повреждане на машината, други материали или съседната зона, ако не се спазват инструкциите в ръководството.

Забележка: Използва се за предоставяне на повече информация, която е необходима в дадена ситуация.

Общи инструкции за безопасност



ПРЕДУПРЕЖДЕНИЕ:

Прочетете следващите предупредителни инструкции, преди да използвате продукта



ПРЕДУПРЕЖДЕНИЕ: Този продукт може да причини прерязване на крайници и изхвърляне на предмети. Неспазването на следните инструкции за безопасност може да доведе до сериозно нараняване или смърт.



ПРЕДУПРЕЖДЕНИЕ:

Неспазването на практиките за работа с внимание може да доведе до опасно нараняване на оператора или

други лица. Собственикът трябва да разбира тези инструкции и да позволява само на одобрени лица, които разбират тези инструкции, да работят с косачката. Всяко лице, работещо с косачката, трябва да бъде здраво психически и физически и не трябва да бъде под въздействие на психоактивни вещества.

- Прочетете, разберете и следвайте инструкциите и предупрежденията в този документ, ръководството за оператора и върху продукта, двигателя и приставките.
- Разрешавайте само на оператори, които са отговорни, обучени, запознати с инструкциите и имат необходимите физически способности, да работят с продукта.
- Информирайте някого, че ще работите с продукта, за да може да повика помощ, в случай че възникне нараняване или злополука.
- Не вземте пътници и дръжте страничните лица на разстояние.
- Не работете с продукта, когато сте под въздействието на алкохол или медикаменти.
- Следвайте препоръките на производителя относно тежестите или противотежестите на колелата.
- Научете как да използвате безопасно продукта и неговите органи за управление и как да спирате бързо продукта.
- Научете се да разпознавате стикерите за безопасност.
- Поддържайте продукта чист, за да сте сигурни, че знаците и стикерите са ясни и четливи.
- Имайте предвид, че операторът ще носи отговорност за злополуки, включващи други лица или тяхното имущество.
- Използвайте продукта само на дневна светлина или на места с добро осветление. Поддържайте безопасно разстояние на

продукта до дупки или други неравности по земната повърхност. Внимавайте за други възможни рискове.

- Не позволявайте на деца или на други лица, които не са одобрени за работа с продукта, да го използват или да извършват сервизно обслужване на същия. Възрастта на потребителя може да е постановена от местните закони.
- Уверете се, че няма никой в близост до продукта, когато стартирате двигателя, задействате задвижването или потегляте с продукта.
- Следете пътното движение, когато косите в близост до път или когато пресичате път.
- Не използвайте продукта, ако сте уморени, ако сте под влиянието на алкохол, наркотични вещества, медикаменти или други вещества, които могат да оказат отрицателно влияние върху зрението, вниманието, координацията или преценката Ви.
- Винаги паркирайте продукта на равна повърхност със спрял двигател.
- Не модифицирайте и не монтирайте нестандартно оборудване към устройството без съгласие от производителя. Модифицирането на устройството може да го повреди или да бъде причина за опасност при използване.

Свързани с децата инструкции за безопасност



ПРЕДУПРЕЖДЕНИЕ: Децата могат да бъдат сериозно ранени или убити от този продукт. Прочетете следващите предупредителни указания, преди да използвате продукта. Дръжте децата далеч.

- Ако операторът не внимава за присъствие на деца в района, могат да настъпят трагични инциденти. Децата често проявяват интерес към продукта и косенето. Никога не приемайте за даденост, че децата ще останат на мястото, на което сте ги видели за последно.
- Децата трябва да се намират извън работната зона и под наблюдението на отговорен възрастен, различен от оператора.
- Бъдете нащрек и веднага спрете продукта, ако в работната площ навлязат деца. Бъдете много внимателни в близост до ъгли, храсти, дървета или други препятствия, които пречат на видимостта.
- Бъдете изключително внимателни, когато се приближавате до участъци без видимост, храсти, дървета или други обекти, които могат да Ви попречат да забележите някое дете.

- Преди и докато движите продукта на заден ход, погледнете зад себе си и внимавайте за малки деца.
- Не позволявайте на деца да работят с продукта.
- Американската педиатрична асоциация препоръчва децата да са навършили 16 години, преди да се допусне да работят със самоходна косачка за трева.
- Не вземете деца дори когато ножа/ножовете е/са изключен(и). Децата могат да паднат и да се наранят сериозно или да попречат на безопасната работа на продукта. Деца, които са се возили на такава машина преди, могат внезапно да се появят на площта за косене с намерението да се повозят отново и да бъдат прегазени на преден или заден ход от продукта.

Инструкции за безопасност за работа



ПРЕДУПРЕЖДЕНИЕ:

Прочетете следващите предупредителни инструкции, преди да използвате продукта.

- Не работете с косачката, ако колекторът не е напълно монтиран.
- Не работете с косачката, като използвате колекторната система, освен ако не са монтирани тежестите на предната част.
- Уверете се, че всички движещи се части са спрели да се движат, преди да отворите системата за събиране.
- Уверете се, че всички движещи се части са спрели да се движат, преди да отстраните заседналата трева от системата за събиране.
- Почистете площта от предмети, като например камъни, играчки, жици и т.н., които може да се закачат в ножовете и да бъдат изхвърлени.
- Позволявайте само на отговорни възрастни лица да работят с продукта.
- Преди косене се уверете, че в рамките на площта няма хора и домашни любимци. Спирайте продукта, ако някой навлезе в площта.
- Намалете скоростта, преди да завиете.
- Намалете скоростта, преди да направите завой.
- Освободете ножовете, когато продуктът не коси.
- Затворете капака на колектора, преди да стартирате продукта.
- Освободете ножовете на косачката, когато премествате продукта през площи, където изхвърлени от ножовете предмети могат да създадат опасност.

- Не се опитвайте да събирате предмети, които могат да бъдат изхвърлени от системата за събиране.
- Използвайте средства за защита на очите, когато използвате продукта. Изхвърлените от ножовете предмети могат да причинят нараняване на очите.
- Уверете се, че торбичките за събиране са празни след всяка употреба и преди оставяне на съхранение. Тревата, оставена в торбичките за събиране, може да доведе до спонтанно запалване и може да предизвика избухването на пожар.
- Данните показват, че при операторите на 60 и повече години процентното съотношение на нараняванията, свързани с използване на самоходни косачки, е по-голямо. Тези оператори трябва да преценят дали могат да управляват самоходната косачка по достатъчно безопасен начин, така че да предпазят себе си и околните от нараняване.

Инструкции за безопасност преди монтиране на системата за събиране



ПРЕДУПРЕЖДЕНИЕ:

Прочетете следващите предупредителни инструкции, преди да използвате продукта.

- Паркирайте на равна повърхност.
- Включете спирачката за паркиране.
- Задайте лостовете за управление в неутрално положение.
- Спрете двигателя и отстранете ключа на запалването.
- Уверете се, че всички движещи се части са спрели да се движат, преди да монтирате системата за събиране.

Инструкции за безопасност по време на работа по наклони



ПРЕДУПРЕЖДЕНИЕ:

Прочетете следващите предупредителни указания, преди да използвате продукта.

Наклоните са основен фактор, свързан със злополуките. Работата по наклони изисква повишено внимание.

- По наклон се движете в посоката, препоръчана от производителя. Бъдете внимателни, когато работите в близост до изкопи.
- Избягвайте да косите мокра трева. Гумите могат да изгубят сцепление.
- Не работете с продукта при каквито и да било условия, които може да поставят под въпрос

сцеплението, управлението или стабилността. Гумите могат да поднесат дори ако колелата са в спряно положение.

- Винаги дръжте продукта на предавка, когато се спускате по наклони. Не се спускайте по инерция.
- Избягвайте стартиране и спиране по наклони. Избягвайте правенето на внезапни промени в скоростта или посоката. Завивайте бавно и постепенно.
- При загуба на сцепление на гумите изключете ножовете и продължете да се спускате право надолу по склона.
- Бъдете изключително внимателни, когато работите с продукт с кош за трева или друга(и) приставка(и). Те могат да повлияят на стабилността на продукта.
- Рязането на трева по склонове увеличава опасността от загуба на контрол върху машината и от преобръщане на същата. Това може да предизвика нараняване или смърт. Необходимо е да се коси тревата внимателно по всички склонове. Ако не можете да обърнете нагоре по склона или ако не се чувствате в безопасност, не косете тревата.
- Премахнете камъни, клони и други препятствия.
- Косете тревата по наклона нагоре и надолу, а не от едната към другата страна.
- Не работете с машината, когато склонът на повърхността е повече от 10°.
- Винаги се движете плавно и бавно по склонове.
- Внимавайте и не преминавайте през бразди, дупки и неравности. Има по-голяма опасност от преобръщане на машината върху неравна земна повърхност. Дългата трева може да крие препятствия.
- Не косете тревата близо до ъгли, канавки или брегове. Стойте на разстояние поне една ширина на машината далеч от тези опасности. Машината може внезапно да се преобърне, ако едно от колелата ѝ попадне върху ръба на стръмен склон или канавка или ако ръбът се срути.

Инструкции за безопасност за техническо обслужване



ПРЕДУПРЕЖДЕНИЕ:

Прочетете следващите предупредителни инструкции, преди да използвате продукта.



ПРЕДУПРЕЖДЕНИЕ:

Продуктът е тежък и може да причини нараняване или повреда на имуществото или прилежащата площ. Не извършвайте техническо обслужване на двигателя или

платформата за рязане, ако не са изпълнени следните условия:

- Двигателят е изключен.
- Продуктът е паркиран върху равна повърхност.
- Спирачката за паркиране е задействана.
- Ключът на запалването е поставен в положение за спиране и е отстранен.
- Ножовете са изключени.
- Всички движещи се части са спрели да се движат.
- Запалителните кабели са отстранени от запалителните свещи.

Внимавайте при обслужване на ножовете. Увийте ножа/ножовете или носете ръкавици. Сменете повредените ножове. Не ремонтирайте и не правете изменения по ножа(овете).

Ако има такива, разкачете кабела(ите) на запалителната свещ и кабела за отрицателния полюс на акумулаторната батерия, преди да извършвате каквито и да било ремонтни дейности.

За най-добри работни характеристики и безопасност извършвайте редовно техническо обслужване на продукта, както е посочено в разписанието за техническо обслужване. Направете справка с *График за техническо обслужване на страница 17*.

- Токовете удари могат да причинят наранявания. Не докосвайте кабелите, когато двигателят е включен. Не извършвайте функционална проверка на запалителната система с пръсти.
- Преди да извършите техническо обслужване в близост до двигателя, оставете продукта да се охлади.
- Ножовете са остри и могат да причинят порязвания. Когато работите по ножовете, обвийте ножовете със защитни средства или носете защитни ръкавици.
- Не палете двигателя, ако запалителната свещ или запалителният кабел е отстранен.
- Уверете се, че всички гайки и болтове са затегнати правилно и че оборудването е в добро състояние.
- Не променяйте настройката, на която са регулирани ограничителите. Ако оборотите на двигателя са прекалено високи, компонентите на продукта могат да се повредят.
- Продуктът е одобрен само с оборудването, което е предоставено или препоръчано от производителя.
- При ремонт използвайте само оригинални резервни части. Ако използвате други части, гаранцията се анулира.



ПРЕДУПРЕЖДЕНИЕ:

Изтичащата течност под налягане може да има достатъчна сила да проникне през кожата и да причини сериозно нараняване. Ако течността попадне в кожата, незабавно потърсете медицинска помощ. Дръжте тялото и ръцете си далеч от отворите за щифтове или дюзите, които изхвърлят течност под високо налягане. Ако възникне теч, продуктът трябва незабавно да бъде обслужен от обучен техник.



ПРЕДУПРЕЖДЕНИЕ:

Отработените газове от двигателя съдържат въглероден окис – много опасен отровен газ без миризма. Не работете с продукта в затворени помещения или помещения без достатъчна вентилация.

- Поддържайте продукта в добро работно състояние. Сменяйте износените или повредени части.

Инсталиране

Въведение

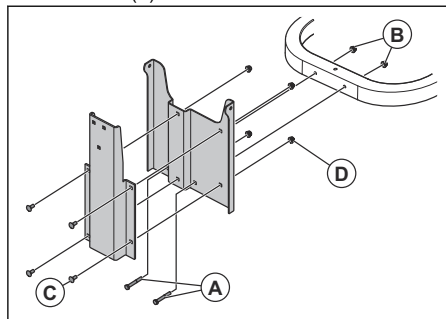


ПРЕДУПРЕЖДЕНИЕ:

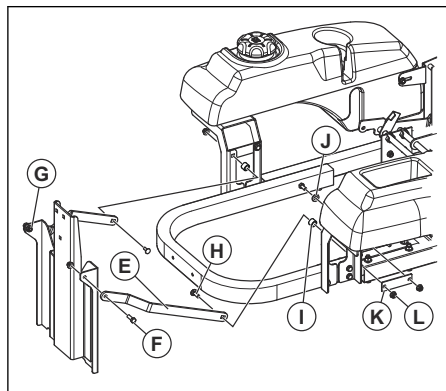
Прочетете и разберете главата за безопасност, преди да монтирате продукта.

За монтиране на планката на колектора

1. Монтирайте опорната планка върху рамката с 2 x шестстенни болта 5/16-18x2-1/4 (A) и 2 x гайки 5/16 (B).



2. Монтирайте планката на закачалката към опорната планка с 4 x болта на брава 5/16-18x3/4 (C) и 4 x гайки 5/16 (D).
3. Монтирайте опорните ремъци към опорната планка.

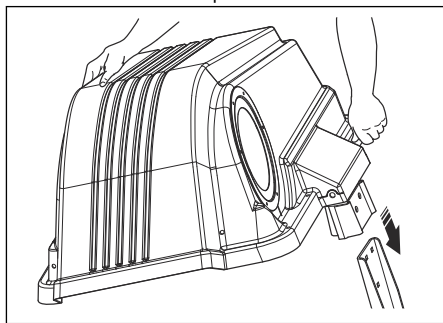


4. Монтирайте ремъците (E) към опорната планка с 2 x болта на брава 5/16-18x1-1/4 (F) и 2 x гайки 5/16 (G).
5. Монтирайте ремъците към планките на резервоара с 4 x шестстенни болта 5/16-18x1 (H), 2 x дистанционни елемента (I), 2 x шайби (J), 2 x укрепващи пластини (K) и 4 x гайки 5/16 (L).

За монтиране на капака на колектора

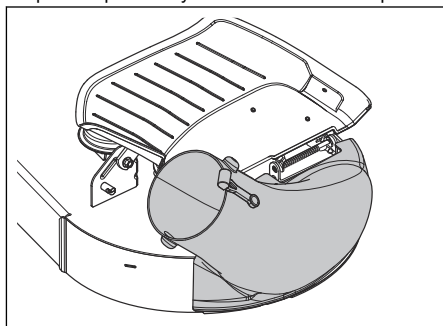
1. Монтирайте планката на колектора. Направете справка с *За монтиране на планката на колектора на страница 15*.

2. Поставете капака на колектора върху планката на колектора.



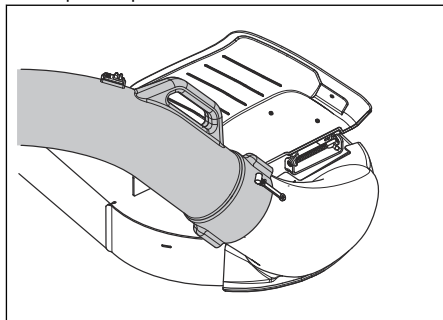
За монтиране на страничния разтоварителен улей

1. Повдигнете капака за страничното разтоварване.
2. Поставете страничния разтоварителен улей около скобата на капака.
3. Закрепете ключалките на страничния разтоварителен улей към косилния апарат.



За монтиране на разтоварителния улей

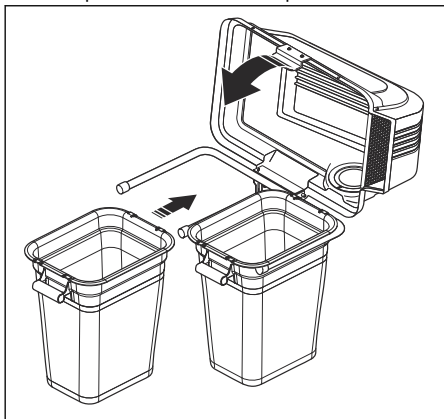
1. Поставете улея на колектора върху страничния разтоварителен улей.
2. Закрепете ремъка.



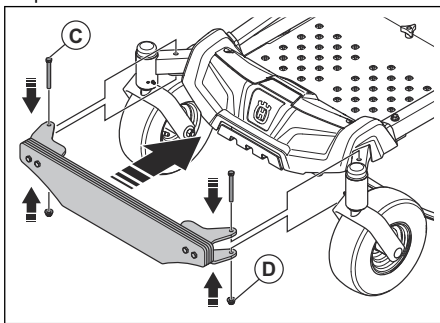
3. Поставете улея на колектора в отвора на капака на колектора.

За монтиране на торбичките

1. Наклонете капака на колектора.
2. Поставете 2-те торбички върху опорната рамка.
3. Затворете капака на колектора.



2. Подравнете отворите в планките с отворите в рамката.



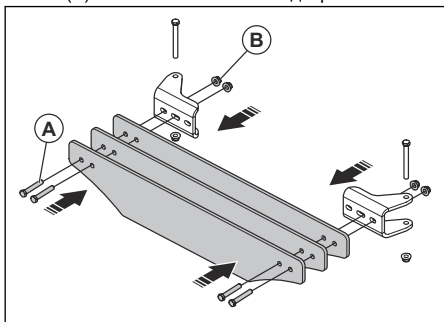
3. Монтирайте болтовете 3/8-16x3-1/2 (C) и гайките 3/8 (D).
4. Затегнете всички гайки.

За монтиране на тежестта на предната част



ПРЕДУПРЕЖДЕНИЕ: Не използвайте системата за събиране без тежести на предната част.

1. Монтирайте пластините на тежестта на предната част към планките с 4 х шестостенни болта 3/8-16x2-1/4 (A) и 4 х гайки 3/8 (B). Не затягайте гайките докрай.



Операция

Въведение



ПРЕДУПРЕЖДЕНИЕ: Преди работа с продукта трябва да

прочетете и разберете главата за безопасност.

За работа с продукта

- Спазвайте инструкциите за работа в ръководството за оператора на косачката.
- Когато използвате системата за събиране, двигателят трябва да работи на пълни обороти.
- Придвижвайте продукта напред с ниска скорост, за да получите добър резултат от косенето и от събирането.
- Косете тревата с 2 минавания, ако тревата е висока и гъста. Първото косене трябва да бъде на най-високата височина на рязане, а второто – на правилната височина.
- Използвайте лявата страна на косачката при косене близо до предмети.
- Не косете мокра морава. Съществува голяма вероятност мократа трева да се задръсти в системата за събиране.
- Изпразнете торбичките за събиране, ако системата за събиране не събира окосената трева. Ако проблемът остане, когато торбичките за събиране не се пълнят, проверете дали улеят на колектора не е запушен.
- Спрете косачката и се уверете, че системата за събиране не е повредена, ако е възникнал удар с незакрепен предмет.
- Не допускайте усукване на улея на колектора.
- Не допускайте улеят на колектора да се влочи по стените на сгради или върху други твърди повърхности.

Поддръжка

Въведение



ПРЕДУПРЕЖДЕНИЕ: Преди да извършите техническо обслужване, трябва да прочетете и разберете главата за безопасност.

X = инструкциите не са предоставени в тази инструкция за експлоатация.

O = вижте ръководството за двигателя за инструкции.

Разписание за техническо обслужване за оператора

График за техническо обслужване

* = Инструкциите не са дадени в тази инструкция за експлоатация.

| Техническо обслужване | Всекидневно техническо обслужване | Интервал на техническо обслужване в часове | | |
|---|-----------------------------------|--|----|----|
| | Преди употреба | 5 | 25 | 50 |
| Извършете проверка на и почистете торбичките за събиране. | X | X | | |
| Уверете се, че гайките и винтовете са затегнати. | X | | | |
| Уверете се, че улеят на колектора е затегнат. | X | | | |
| Почистете продукта. | | | | X |

За почистване на продукта

- Използвайте четка за отстраняване на нежелан материал или трева по продукта.
- Ако е необходимо, използвайте устройство за миене под високо налягане и мек почистващ препарат. Не превишавайте водно налягане от 1000 psi (68,9 bar).

Отстраняване на проблеми

Разписание за търсене и отстраняване на неизправности

Ако не можете да намерите решение на Вашите проблеми в това ръководство за оператора, се обърнете към Вашия сервиз на Husqvarna.

| Проблем | Причина |
|---|---|
| Загуба на въздушен поток. | Улеят на колектора или входът на капака на колектора е запушен. |
| | Контейнерът е пълен. |
| | Тъканта в колектора е задръстена. |
| Необичайни вибрации или шум. | В колектора има твърд предмет. |
| | Разхлабени или липсващи винтове или гайки. |
| Капакът на колектора се затваря трудно. | Наличието на предмети в колектора причинява запушване на капака на колектора. |
| | Винтовете на пантите на капака на колектора са прекалено стегнати. |

Транспортиране, съхранение и изхвърляне

Транспортиране

- Не теглете продукта.
- Продуктът е тежък и може да причини наранявания от премазване. Внимавайте при товарене върху или разтоварване от превозно средство или ремарке.
- Товарете продукта на заден ход върху одобрени рампи с максимален работен ъгъл 10°. Не повдигайте продукта.
- Използвайте одобрено ремарке за транспортиране на продукта.
- Уверете се, че сте запознати с местните разпоредби за движение по пътищата, преди да транспортирате продукта в ремарке или по пътищата.
- Заклучете продукта с одобрени устройства, като например ремъци. Използвайте точките за привързване върху продукта или съответните области на рамката. Спирачката за паркиране не е достатъчна за заключване на продукта по време на транспортиране.

Съхранение

В края на сезона и преди повече от 30 дни съхранение подгответе машината за съхранение. Ако държите гориво в резервоара за гориво в продължение на 30 или повече дни, лепкави частици могат да предизвикат блокиране на карбуратора. Това има отрицателно въздействие върху работата на двигателя.

За да предотвратите образуването на лепкави частици, добавете стабилизатор. Ако се използва алкилатен бензин, не е необходим стабилизатор. Ако използвате стандартен бензин, не сменяйте с алкилатен бензин. Това може да предизвика втвърдяване на чувствителните гумени части. Добавете стабилизатор към горивото в

резервоара или в контейнера за съхранение на горивото. Винаги използвайте указанията от потребителя съотношения на смесване. Добавете стабилизатора и оставете двигателя да работи минимум 10 минути, докато горивото потече в карбуратора.



ПРЕДУПРЕЖДЕНИЕ: Не съхранявайте машината с гориво в резервоара за гориво на закрито или на места с лоша вентилация. Съществува опасност от пожар, ако изпаренията от горивото са близо до открит пламък, искри или сигнални лампи на котли, резервоари за топла вода и сушилни за дрехи.



ПРЕДУПРЕЖДЕНИЕ: Отстранете тревата, листата и други запалими материали от машината, за да намалите риска от злополука. Оставете машината да се охлади, преди да я оставите за съхранение.

- Почистете продукта, направете справка с *За почистване на продукта на страница 17*.
- Отстранете нежеланите материали от охлаждащия вентилатор.
- Поправете повредени места по боята, за да предотвратите корозията.
- Проверете машината за износени или повредени части и затегнете разхлабените винтове и гайки.
- Отстранете батерията. Почистете го, заредете го и го поддържайте охладен по време на съхранение.

- Сменете моторното масло и изхвърлете отработеното масло.
- Изпразнете резервоара за гориво. Стартирайте двигателя и го оставете да работи, докато се изразходи горивото в карбуратора.

Забележка: Не изпразвайте резервоара за гориво и карбуратора, ако е бил добавен стабилизатор.

- Развийте пробките и налейте по около една супена лъжица моторно масло във всеки от цилиндрите. Развъртете на ръка двусекционния вал на двигателя, за да се нанесе маслото и поставете обратно пробките.
- Смажете всички смазочни нипели, съединения и оси.
- Съхранявайте продукта на чисто и сухо място и го покрийте за допълнителна защита.

Sadržaj

| | | | |
|-------------------|----|--|----|
| Uvod..... | 20 | Održavanje..... | 26 |
| Sigurnost..... | 21 | Rješavanje problema..... | 26 |
| Postavljanje..... | 24 | Transport, skladištenje i odbacivanje..... | 27 |
| Rukovanje..... | 25 | | |

Uvod

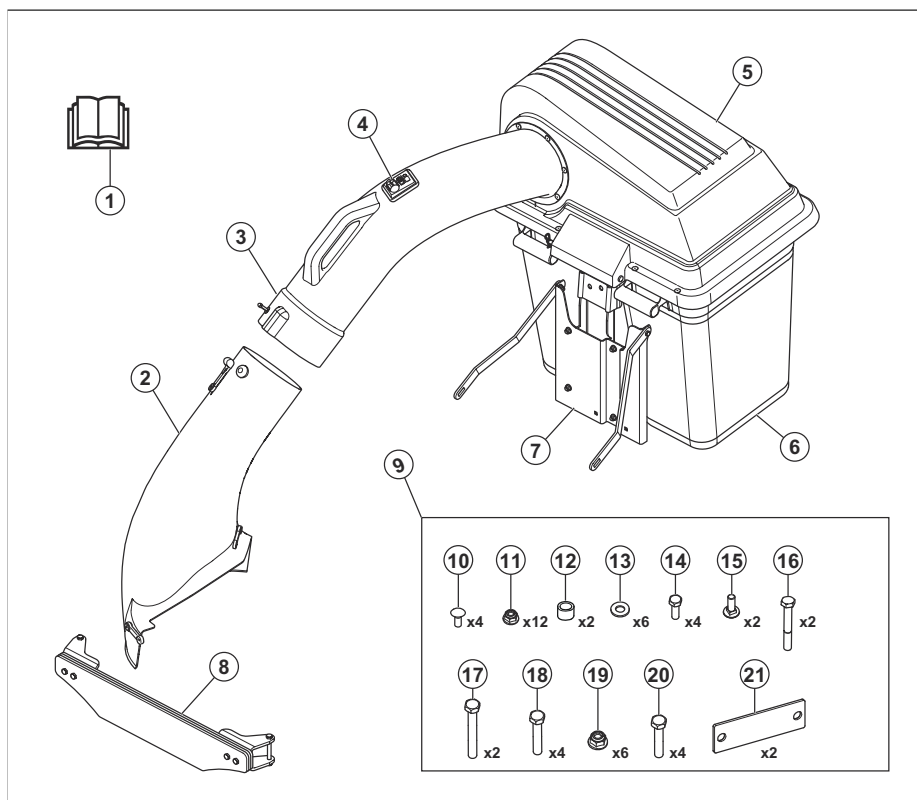
Opis proizvoda

Ovaj proizvod je sistem za prikupljanje trave. Prikupljena trava se može koristiti kao kompost za travnjak ili gredice s biljkama ili se može odložiti kao otpad iz bašte.

Namjena

Ovaj proizvod je namijenjen za prikupljanje pokošene trave tokom košenja kako bi travnjak imao njegovan izgled. Nemojte koristiti proizvod za druge poslove.

Pregled proizvoda



1. Priručnik za rad
2. Cijev za bočno pražnjenje
3. Cijev sakupljača
4. Indikator pune vreće
5. Poklopac motora
6. Vreća

7. Nosač sakupljača
8. Prednji uteg
9. Torba za hardver
10. Vijak za nosače, 5/16–18x3/4
11. Matica, 5/16
12. Odstojnik

13. Podloška
14. Šestougaoni vijak, 5/16–18x1
15. Vijak za nosače, 5/16–18x1–1/4
16. Šestougaoni vijak, 5/16–18x2–1/4
17. Šestougaoni vijak, 3/8–16x3–1/2
18. Šestougaoni vijak, 3/8–16x2–1/2
19. Matica, 3/8
20. Šestougaoni vijak, 3/8–16x2–1/4
21. Armaturna ploča

- je proizvod pogrešno popravljen.
- je proizvod popravljen koristeći dijelove koji nisu od proizvođača ili koji nisu odobreni od strane proizvođača.
- proizvod ima dodatnu opremu koju nije napravio proizvođač ili koju proizvođač ne odobrava.
- proizvod nije popravljen u nekom od odobrenih servisa ili od strane odobrenog tijela.

Oštećenje proizvoda

Nismo odgovorni za oštećenje proizvoda ako:

Sigurnost

Definicije sigurnosti

Upozorenja, pozivi na oprez i napomene se koriste za isticanje naročito važnih dijelova priručnika.



UPOZORENJE: Koriste se ukoliko postoji opasnost od povrede ili smrti rukovaoca ili osoba u blizini ako se uputstva iz priručnika ne poštuju.



OPREZ: Koriste se ukoliko postoji opasnost od oštećenja proizvoda, drugih materijala ili neposrednog okruženja ako se uputstva iz priručnika ne poštuju.

Napomena: Koriste se za pružanje više informacija koje su neophodne u datoj situaciji.

Opće sigurnosne upute



UPOZORENJE: Prije upotrebe proizvoda pročitajte upozorenja u nastavku



UPOZORENJE: Ovaj proizvod može amputirati ruke i noge i odbacivati predmete. Uvijek se pridržavajte svih sigurnosnih uputstava kako biste izbjegli teške tjelesne povrede ili smrt.



UPOZORENJE: Ako se ne budete pridržavali postupaka opreznog rukovanja može doći do opasnih povreda rukovaoca ili drugih osoba. Vlasnik mora razumjeti ova uputstva i smije pustiti samo ovlaštene osobe koje razumiju ova uputstva da rukuju kosilicom. Svaka osoba koja rukuje kosilicom mora imati zdrav um i tijelo i ne smije biti pod uticajem supstanci koje mijenjaju um.

- Pročitajte, razumijte i slijedite uputstva i upozorenja u ovom dokumentu, priručniku za rukovanje te na proizvodu, motoru i priključcima.
- Dopustite samo rukovaocima koji su odgovorni, obučeni, upoznati s uputstvima i fizički sposobni da rukuju proizvodom.
- Vodite računa da obavijestite osobu da ćete koristiti proizvod ako dođe do povrede ili nesreće.
- Nemojte prevoziti putnike i držite udaljenost od prolaznika.
- Nemojte koristiti proizvod dok ste pod uticajem alkohola ili droga.
- Slijedite preporuke proizvođača u vezi utega ili protuutega točkova.
- Naučite kako sigurno koristiti proizvod i njegove kontrole te kako brzo zaustaviti proizvod.
- Naučite prepoznati naljepnice o sigurnosti.
- Održavajte proizvod čistim kako biste bili sigurni da možete jasno pročitati znakove i naljepnice.
- Imajte na umu da će rukovalac biti odgovoran za nesreće koje uključuju druge osobe ili njihovu imovinu.
- Proizvod koristite samo tokom dana ili u uslovima dobrog osvjetljenja. Držite proizvod na sigurnoj udaljenosti od rupa ili drugih neravnina u zemlji. Obratite pažnju na druge moguće rizike.
- Nemojte dopustiti djeci ili drugim osobama koje nemaju odobrenje za rad s proizvodom da ga koriste ili vrše njegovo servisiranje. Dob korisnika može biti ograničena lokalnim zakonima.
- Vodite računa da se niko drugi ne nalazi u blizini proizvoda kada pokrenete motor, uključite pogon ili počnete pomicati proizvod.
- Pazite na saobraćaj kada kosite blizu ceste ili prelazite cestu.
- Nikada nemojte koristiti proizvod ako ste umorni, dok ste pod uticajem alkohola ili droga, lijekova ili bilo čega što može negativno uticati na vaš vid, opreznost, koordinaciju ili moć rasuđivanja.
- Proizvod uvijek parkirajte na ravnoj površini s ugašenim motorom.
- Nemojte mijenjati ili instalirati nestandardnu opremu na proizvod bez pristanka proizvođača.

Izmjene proizvoda mogu izazvati nesigurne operacije ili oštetiti proizvod.

Sigurnosna uputstva u vezi s djecom



UPOZORENJE: Ovaj proizvod može izazvati ozbiljnu povredu ili smrt djece. Prije upotrebe proizvoda pročitajte upozorenja u nastavku. Držite djecu podalje.

- Tragične nesreće se mogu dogoditi ako rukovalac ne pazi na prisustvo djece. Djecu često privlači proizvod i aktivnost košenja. Nikada ne pretpostavljajte da će djeca ostati tamo gdje ste ih zadnji put vidjeli.
- Držite djecu izvan područja rada i pod pažljivim nadzorom odgovorne odrasle osobe osim rukovaoca.
- Obratite pažnju i odmah zaustavite proizvod ako djeca uđu u područje rada. Budite vrlo oprezni u blizini uglova, grmlja, drveća ili drugih predmeta koji onemogućuju jasan pregled.
- Budite izuzetno oprezni kada se približavate slijepim uglovima, grmlju, drveću ili drugim predmetima koji mogu blokirati pogled na dijete.
- Prije i dok pomičete proizvod unazad, pogledajte ima li male djece iza vas i ispod.
- Ne dozvolite djeci da rukuju proizvodom.
- Američka akademija pedijatarata (American Academy of Paediatrics) preporučuje da djeca imaju najmanje 16 godina prije nego što počnu rukovati kosilicom za travu.
- Nemojte prevoziti djecu, čak ni kada su noževi isključeni. Djeca bi mogla pasti i ozbiljno se povrijediti ili ometati sigurno rukovanje proizvodom. Djeca koja su se prethodno prevozila bi se mogla iznenada pojaviti u području košenja kako bi se ponovo vozila i proizvod bi ih mogao pregaziti prilikom kretanja unaprijed ili unazad.

Sigurnosne upute za rad



UPOZORENJE: Prije upotrebe proizvoda pročitajte upozorenja u nastavku.

- Nemojte koristiti kosilicu ako sakupljač nije do kraja postavljen.
- Nemojte koristiti kosilicu sa sistemom za sakupljanje ako prednji utezi nisu montirani.
- Vodite računa da su svi pokretni dijelovi zaustavljeni prije nego što otvorite sistem za sakupljanje.
- Vodite računa da su svi pokretni dijelovi zaustavljeni prije nego što uklonite zaglavljenu travu iz sistema za sakupljanje.
- Očistite područje od predmeta kao što su kamenje, igračke, žice itd. koji bi se mogli zaplesti u noževe i izbaciti.

- Pustite da samo odgovorne odrasle osobe rukuju proizvodom.
- Vodite računa da u tom području nema ljudi i kućnih ljubimaca prije košenja. Zaustavite proizvod ako bilo ko drugi uđe u područje.
- Smanjite brzinu prije skretanja.
- Smanjite brzinu prije skretanja iza ugla.
- Deaktivirajte noževe kada proizvod ne kosi.
- Zatvorite poklopac sakupljača prije pokretanja proizvoda.
- Deaktivirajte noževe kosilice kada pomičete proizvod preko područja gdje bačeni predmeti mogu predstavljati opasnost.
- Ne pokušavajte skupljati predmete koji se mogu izbaciti iz sistema za sakupljanje.
- Koristite zaštitu za oči dok koristite proizvod. Odbačeni predmeti mogu oštetiti oči.
- Vodite računa da su vreće za sakupljanje prazne nakon svake upotrebe i prije skladištenja. Trava koja ostane u vrećama za sakupljanje može dovesti do spontanog zapaljenja i izazvati požar.
- Podaci pokazuju da veliki postotak povreda povezanih sa sjedećom kosilicom uključuje rukovaoca u dobi od 60 godina i više. Ovi rukovaoci moraju procijeniti mogu li u dovoljnoj mjeri sigurno rukovati sjedećom kosilicom da zašтите sebe i druge od povreda.

Sigurnosna uputstva prije montiranja sistema za sakupljanje



UPOZORENJE: Prije upotrebe proizvoda pročitajte upozorenja u nastavku.

- Parkirajte na ravnom.
- Povucite parkirnu kočnicu.
- Postavite upravljačke ručice u neutralni položaj.
- Zaustavite motor i izvadite ključ za pokretanje.
- Vodite računa da su svi pokretni dijelovi zaustavljeni prije nego što montirate sistem za sakupljanje.

Sigurnosna uputstva za rad na nagibima



UPOZORENJE: Prije upotrebe proizvoda pročitajte upozorenja u nastavku.

Nagibi su glavni faktor povezan s nesrećama. Rad na nagibima zahtijeva dodatni oprez.

- Na nagibima se krećite u smjeru koji preporučuje proizvođač. Budite oprezni dok rukujete proizvodom u blizini odlagališta.
- Izbjegavajte košenje mokre trave. Gume mogu izgubiti vuču.
- Nemojte rukovati proizvodom ni u kakvim uslovima kada su vuča, upravljanje ili stabilnost

upitni. Gume bi mogle kliziti čak i ako su točkovi zaustavljeni.

- Proizvod uvijek stavite u brzinu kada se spuštate nizbrdo. Ne krećite se nizbrdo.
- Izbjegavajte pokretanje i zaustavljanje na nagibima. Izbjegavajte nagle promjene brzine ili smjera. Skrećite polako i postepeno.
- Ako gume izgube vuču, deaktivirajte noževe i nastavite polako ravno niz nagib.
- Budite posebno pažljivi dok rukujete proizvodom sa sakupljačem trave ili drugim priključcima. Mogu uticati na stabilnost proizvoda.
- Košenje trave na nagibima povećava rizik od gubitka kontrole nad proizvodom i prevrtanja. To može uzrokovati povredu ili smrt. Potrebno je pažljivo kositi travu na svim nagibima. Ako ne možete voziti unazad uz nagib ili ako se ne osjećate sigurno, nemojte kositi.
- Uklonite kamenje, grane i druge prepreke.
- Kosite travu na nagibu prema gore i prema dolje, a ne s jedne strane na drugu.
- Nemojte rukovati proizvodom na tlu s nagibom većim od 10°.
- Krećite se glatko i polako na nagibima.
- Pazite na brazde, rupe i neravnine i nemojte se po njima kretati. Postoji veći rizik da se proizvod prevrne na tlu koje nije ravno. Visoka trava može sakriti prepreke.
- Nemojte kositi travu blizu rubova, jaraka ili obala. Držite se dalje od ovih opasnosti za najmanje širinu jedne mašine. Proizvod se može iznenada prevrnuti ako točak pređe preko ruba strmog nagiba ili jarka ili ako rub popusti.

Sigurnosne upute za održavanje



UPOZORENJE: Prije upotrebe proizvoda pročitajte upozorenja u nastavku.



UPOZORENJE: Proizvod je težak i može izazvati povrede ili štetu na imovini ili susjednom području. Nemojte vršiti održavanje motora ili platforme za rezanje ako nisu ispunjeni sljedeći uslovi:

- Motor je isključen.
- Proizvod je parkiran na ravnoj površini.
- Podignuta je parkirna kočnica.
- Ključ za pokretanje je u položaju za zaustavljanje i izvađen.
- Noževi su deaktivirani.
- Svi pokretni dijelovi su zaustavljeni.

- Kablovi za paljenje su uklonjeni sa svjećica.



UPOZORENJE: Tečnost koja curi pod pritiskom može imati dovoljnu snagu da prodre u kožu i izazove ozbiljne povrede. Ako se tečnost ubrizga u kožu, odmah potražite ljekarsku pomoć. Držite tijelo i ruke podalje od otvora za iglice ili mlaznica koje izbacuju tečnost pod visokim pritiskom. Ako dođe do curenja, proizvod odmah treba popraviti obučeni tehničar.



UPOZORENJE: Ispušne pare iz motora sadrže karbon monoksid, veoma otrovan i opasan gas bez mirisa. Nemojte koristiti proizvod u zatvorenim prostorijama ili prostorijama bez protoka zraka.

- Održavajte proizvod u dobrom radnom stanju. Zamijenite istrošene ili oštećene dijelove. Budite oprezni kada servisirate noževe. Omotajte noževe ili nosite rukavice. Zamijenite oštećene noževe. Nemojte popravljati ili mijenjati noževe. Ako su isporučeni, odspojite žice svjećice i negativni kabl akumulatora prije bilo kakvih popravki. Za najbolje performanse i sigurnost, redovno održavajte proizvod kao što je navedeno u rasporedu održavanja. Pogledajte *Plan održavanja na strani 26*.
- Strujni udari mogu izazvati povrede. Nemojte dodirivati kablove kada je motor uključen. Nemojte prstima ispitivati funkciju sistema paljenja.
- Pričekajte da se proizvod ohladi prije održavanja u blizini motora.
- Noževi su oštri i mogu prouzrokovati posjekotine. Omotajte zaštitu oko noža ili koristite zaštitne rukavice kada radite s noževima.
- Ne okrećite motor ako su svjećica ili kabl za paljenje uklonjeni.
- Provjerite jesu li sve matice i vijci pravilno zategnuti i je li oprema u dobrom stanju.
- Nemojte mijenjati podešavanje regulatora. Ako je brzina motora previsoka, komponente proizvoda se mogu oštetiti.
- Proizvod je odobren samo s opremom koju isporučuje ili preporučuje proizvođač.
- Za popravke koristite isključivo originalne dijelove. Korištenjem drugačijih dijelova se poništava garancija.

Postavljanje

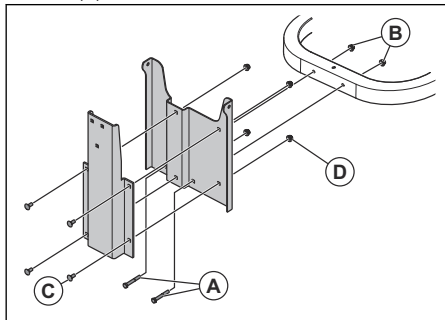
Uvod



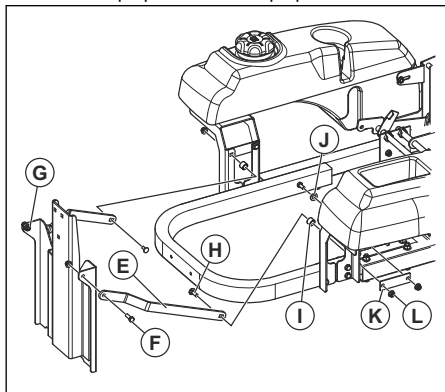
UPOZORENJE: Prije montiranja proizvoda, s razumijevanjem pročitajte poglavlje o sigurnosti.

Montiranje nosača sakupljača

1. Postavite potporni nosač na okvir pomoću 2 šestougaona vijka 5/16–18x2–1/4 (A) i 2 matice 5/16 (B).



2. Postavite viseći nosač na potporni nosač pomoću 4 vijka za nosače 5/16–18x3/4 (C) i 4 matice 5/16 (D).
3. Postavite potporne trake na potporni nosač.

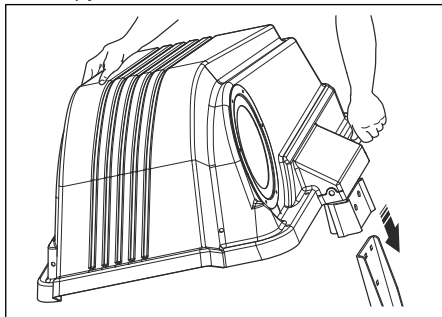


4. Postavite trake (E) na potporni nosač pomoću 2 vijka za nosače 5/16–18x1–1/4 (F) i 2 matice 5/16 (G).
5. Postavite trake na nosače rezervoara pomoću 4 šestougaona vijka 5/16–18x1 (H), 2 odstojnika (I), 2 podloške (J), 2 armaturne ploče (K) i 4 matice 5/16 (L).

Montiranje poklopca sakupljača

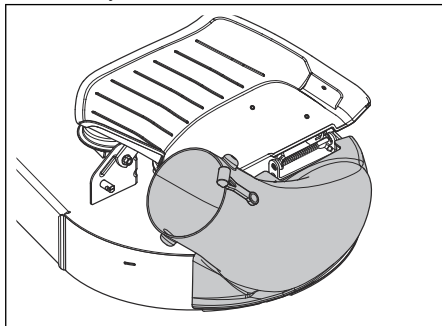
1. Montirajte nosač sakupljača. Pogledajte *Montiranje nosača sakupljača na strani 24.*

2. Stavite poklopac sakupljača na nosač sakupljača.



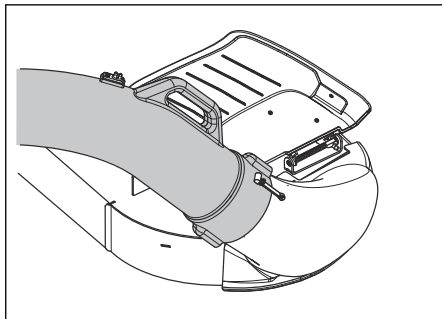
Montiranje cijevi za bočno pražnjenje

1. Podignite poklopac za bočno pražnjenje.
2. Postavite cijev za bočno pražnjenje oko nosača poklopca.
3. Spojite zasune cijevi za pražnjenje na platformu za košenje.



Montiranje cijevi sakupljača

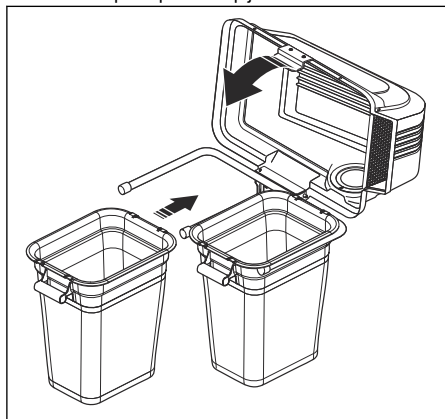
1. Stavite cijev sakupljača unutar cijevi za bočno pražnjenje.
2. Pričvrstite traku.



3. Stavite cijev sakupljača u otvor na poklopcu sakupljača.

Postavljanje vreća

1. Nagnite poklopac sakupljača.
2. Stavite 2 vreće na potporni okvir.
3. Zatvorite poklopac sakupljača.

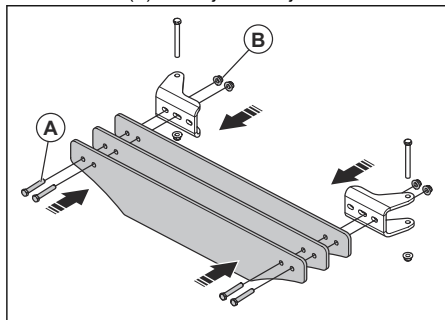


Postavljanje prednjeg utega



UPOZORENJE: Ne koristite sistem za sakupljanje bez prednjih utega.

1. Postavite pločice prednjeg utega na nosače pomoću 4 šestougaona vijka 3/8–16x2–1/4 (A) i 4 matice 3/8 (B). Nemojte do kraja zatezati matice.



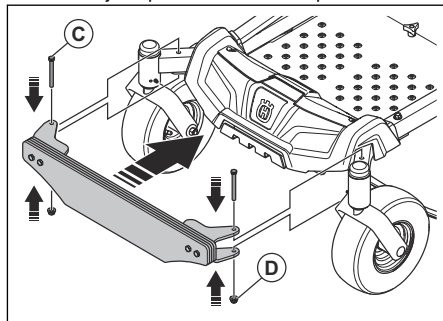
Rukovanje

Uvod



UPOZORENJE: Prije rada s proizvodom, morate s razumijevanjem pročitati poglavlje o sigurnosti.

2. Poravnajte rupe na nosačima s rupama u okviru.



3. Postavite vijke 3/8–16x3–1/2 (C) i matice 3/8 (D).
4. Pritegnite sve matice.

Rad s uređajem

- Pridržavajte se uputstva za rukovanje u priručniku za rad za kosilicu.
- Pustite da motor radi punom brzinom kada koristite sistem za sakupljanje.

- Pomičite proizvod prema naprijed pri maloj brzini kako biste dobili dobar rezultat rezanja i dobar rezultat sakupljanja.
- Pokosite travu 2 puta ako je visoka i gusta. Prvo rezanje mora biti na najvišoj visini rezanja, a drugi put na ispravnoj visini.
- Koristite lijevu stranu kosilice za rezanje blizu predmeta.
- Nemojte koristiti mokru travu. Mokra trava može začepiti sistem za sakupljanje.
- Ispraznite vreće za sakupljanje ako sistem za sakupljanje ne skuplja pokošenu travu. Vodite računa da cijev sakupljača nije začepljena ako problem ne postoji kada su vreće za sakupljanje prazne.
- Zaustavite kosilicu i vodite računa da se sistem za sakupljanje ne ošteti ako udarite u predmet koji se slobodno kreće.
- Spriječite uvrtanje cijevi sakupljača.
- Nemojte vući cijev sakupljača po stranama zgrada ili drugih tvrdih površina.

Održavanje

Uvod



UPOZORENJE: Prije održavanja morate pročitati i usvojiti poglavlje o sigurnosti.

X = Uputstva su navedena u ovom priručniku za rad.

O = Uputstva potražite u priručniku za motor.

Raspored održavanja za rukovaoca

Plan održavanja

* = Uputstva nisu navedena u ovom priručniku za rad.

| Održavanje | Svakodnevno održavanje | Interval održavanja u satima | | |
|---|------------------------|------------------------------|----|----|
| | Prije korištenja | 5 | 25 | 50 |
| Uradite provjeru i ispraznite vreće za sakupljanje. | X | X | | |
| Uvjerite se da su matice i vijci pritegnuti. | X | | | |
| Provjerite je li cijev sakupljača pritegnuta. | X | | | |
| Očistite proizvod. | | | | X |

Čišćenje proizvoda

- Koristite četku za uklanjanje neželjenog materijala i trave s proizvoda.
- Po potrebi koristite uređaj za pranje pod visokim pritiskom i blago sredstvo za čišćenje. Pritisak vode ne smije premašivati 1000 psi (68,9 bara).

Rješavanje problema

Postupak rješavanja problema

Ako ne možete pronaći rješenje za svoje probleme u priručniku za rad, obratite se svom servisnom zastupniku kompanije Husqvarna.

| Problem | Uzrok |
|---------------------------------------|--|
| Gubitak protoka zraka. | Cijev sakupljača ili ulaz poklopca sakupljača su začepljeni. |
| | Spremnik je pun. |
| | Tkanina u sakupljaču je začepljena. |
| Neobične vibracije ili buka. | U sakupljaču se nalazi čvrsti predmet. |
| | Labave matice ili vijci ili ih nema. |
| Poklopac sakupljača se teško zatvara. | Predmeti u sakupljaču uzrokuju blokadu poklopca sakupljača. |
| | Vijci šarke poklopca sakupljača su previše zategnuti. |

Transport, skladištenje i odbacivanje

Transport

- Nemojte vući proizvod.
- Proizvod je težak i može izazvati povrede zbog prignječenja. Budite oprezni kada ga utovarate na vozila ili prikolice ili s njih.
- Utovarite proizvod obrnutim smjerom na odobrenim rampama s maksimalnim radnim uglom od 10°. Nemojte podizati proizvod.
- Koristite odobrenu prikolicu za prijevoz proizvoda.
- Vodite računa da ste prije prijevoza proizvoda u prikolici ili na cestama upoznati s lokalnim propisima o cestovnom saobraćaju.
- Pričvrstite proizvod odobrenim proizvodima, kao što su trake. Koristite tačke za pričvršćivanje na proizvodu ili odgovarajućim područjima okvira. Parkirna kočnica nije dovoljna za pričvršćivanje proizvoda tokom transporta.

Skladištenje

Pripremite proizvod za skladištenje na kraju sezone i prije skladištenja na duže od 30 dana. Ljepljive čestice mogu začepiti karburator ako držite gorivo u rezervoaru 30 ili više dana. To negativno utiče na rad motora.

Kako biste spriječili stvaranje ljepljivih čestica tokom skladištenja, dodajte stabilizator. Ako se koristi alkatni benzin, stabilizator nije potreban. Ako koristite standardni benzin, nemojte prelaziti na alkatni benzin. To može izazvati otvrdnjavanje osjetljivih gumenih dijelova. Dodajte stabilizator gorivu u rezervoaru ili spremniku koji se koristi za skladištenje. Uvijek koristite omjere miješanja koje je naveo proizvođač. Dodajte stabilizator i pustite motor da radi minimalno 10 minuta, dok gorivo ne poteče u karburator.



UPOZORENJE: Nemojte držati proizvod s gorivom u rezervoaru u zatvorenom prostoru ili na mjestima

s lošim protokom zraka. Postoji rizik od požara ako pare goriva dođu u blizinu otvorenog plamena, iskri ili kontrolnih svjetala u, naprimjer, bojlerima, spremnicima tople vode i sušilicama za veš.



UPOZORENJE: Uklonite travu, lišće i druge zapaljive materijale s proizvoda kako biste smanjili rizik od požara. Ostavite da se proizvod ohladi prije nego što ga stavite u skladište.

- Očistite proizvod; pogledajte odjeljak *Čišćenje proizvoda na strani 26*.
 - Uklonite neželjene materijale iz ventilatora za hlađenje.
 - Popravite oštećenja boje kako biste spriječili koroziju.
 - Provjerite ima li na proizvodu istrošenih ili oštećenih dijelova i pritegnite labave vijke i matice.
 - Uklonite bateriju. Očistite je, napunite i držite hladnom tokom skladištenja.
 - Zamijenite motorno ulje i bacite staro ulje.
 - Ispraznite rezervoar goriva. Pokrenite motor i pustite ga da radi sve dok u karburatoru više nema goriva.
- Napomena:** Nemojte prazniti rezervoar goriva i karburator ako je dodan stabilizator.
- Uklonite čepove i stavite otprilike kašiku motornog ulja u svaki cilindar. Ručno okrenite osovinu motora da nanese ulje i vratite čepove.
 - Podmažite sve mazalice, zglobove i osovine.
 - Držite proizvod na čistom i suhom mjestu i prikritje ga radi dodatne zaštite.

Obsah

| | | | |
|-----------------|----|---------------------------------------|----|
| Úvod..... | 28 | Údržba..... | 34 |
| Bezpečnost..... | 29 | Odstraňování problémů..... | 34 |
| Instalace..... | 32 | Přeprava, skladování a likvidace..... | 35 |
| Provoz..... | 33 | | |

Úvod

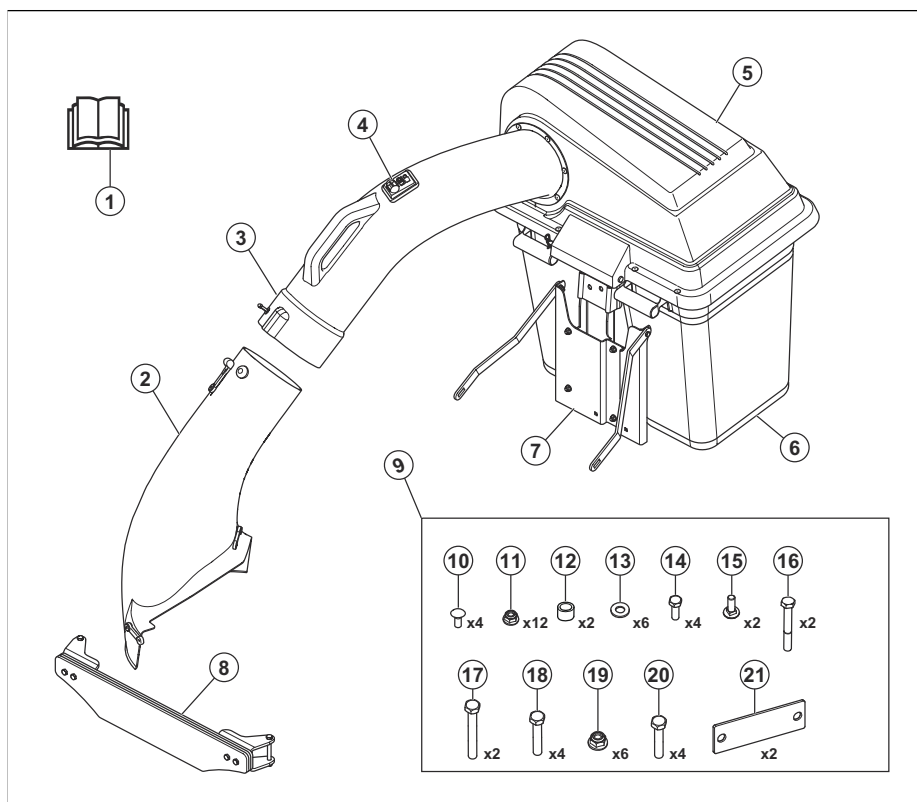
Popis výrobku

Tento výrobek je sběrný systém na trávu. Sebraná tráva může být použita jako kompost pro trávník či záhony nebo zlikvidována jako zahradní odpad.

Zamýšlené použití

Tento výrobek slouží ke sběru odřezků trávy během sečení, aby trávník vypadal úhledně. Výrobek nepoužívejte k jiným účelům.

Popis výrobku



1. Návod k používání
2. Kanál bočního výhozu
3. Kanál sběrače
4. Indikátor plného koše
5. Kryt
6. Koš
7. Držák sběrače
8. Přední závaží
9. Sáček se spojovacím materiálem
10. Vratový šroub, 5/16-18x3/4
11. Matice, 5/16
12. Distanční vložka
13. Podložka
14. Šroub s šestihlannou hlavou, 5/16-18x1

15. Vratový šroub, 5/16-18x1-1/4
16. Šroub s šestihlannou hlavou, 5/16-18x2-1/4
17. Šroub s šestihlannou hlavou, 3/8-16x3-1/2
18. Šroub s šestihlannou hlavou, 3/8-16x2-1/2
19. Matice, 3/8
20. Šroub s šestihlannou hlavou, 3/8-16x2-1/4
21. Výtužná destička

Poškození výrobku

Neneseme odpovědnost za poškození výrobku, pokud:

- byl výrobek nesprávně opraven.
- byl výrobek opraven pomocí součástí od jiného výrobce nebo součástí, které nejsou výrobcem schváleny.
- má výrobek příslušenství od jiného výrobce nebo příslušenství, které není výrobcem schváleno.
- výrobek nebyl opraven ve schváleném servisním středisku nebo schváleným odborníkem.

Bezpečnost

Definice týkající se bezpečnosti

Varování, upozornění a poznámky slouží jako upozornění na specifické důležité části návodu.



VÝSTRAHA: Používá se v případě nebezpečí úrazu nebo usmrcení obsluhy nebo okolních osob, pokud nejsou dodrženy pokyny uvedené v této příručce.



VAROVÁNÍ: Používá se v případě nebezpečí poškození výrobku, dalších materiálů či škod na majetku v blízkém okolí, pokud nejsou dodrženy pokyny uvedené v této příručce.

Povšimněte si: Používá se k poskytnutí dalších informací, které jsou nezbytné v dané situaci.

Obecné bezpečnostní pokyny



VÝSTRAHA: Před použitím výrobku si přečtěte následující varování.



VÝSTRAHA: Tento výrobek vám může uříznout ruce nebo nohy a nebezpečně odmrstit předměty. Nedodržení bezpečnostních pokynů může vést k vážnému nebo smrtelnému zranění.



VÝSTRAHA: Při nedodržení pravidel bezpečného způsobu práce může dojít k vážnému úrazu obsluhy nebo jiných osob. Majitel musí těmto pokynům rozumět a smí svěřit provoz sekačky pouze schváleným osobám, které těmto pokynům rozumí. Každá osoba, která obsluhuje sekačku, musí být fyzicky i duševně zdravá a nesmí být pod vlivem omamných látek.

- Přečtěte si pokyny a výstrahy v tomto dokumentu, návodu k používání a na výrobku, motoru a příslušenství, porozumějte jim a řiďte se jimi.
- Výrobek smí používat pouze osoby, které jsou vyškoleny a dobře obeznámeny s provozními pokyny a fyzicky schopné výrobek používat.
- Nezapomeňte informovat nějakou osobu, že budete používat výrobek, pokud by došlo k úrazu nebo nehodě.
- Nepřevázejte osoby a udržte další osoby v bezpečné vzdálenosti.
- Nepracujte s výrobkem, pokud jste pod vlivem drog nebo alkoholu.
- Dodržujte doporučení výrobce ohledně zatížení kol či protizávaží.
- Naučte se bezpečně používat výrobek a jeho ovládací prvky a naučte se výrobek rychle vypnout.
- Naučte se identifikovat bezpečnostní štítky.
- Udržujte výrobek čistý, aby bylo zajištěno, že jsou značky a nálepky čitelné.
- Mějte na paměti, že obsluha je odpovědná za nehody a škody vzniklé jiným osobám nebo na jejich majetku.
- Výrobek používejte pouze za denního světla nebo za jiných dobrých světelných podmínek. Udržte výrobek v bezpečné vzdálenosti od děr a dalších terénních nerovností. Dávejte pozor na další možná rizika.
- Nenechte děti ani jiné osoby, které nejsou oprávněné obsluhovat tento výrobek, aby jej používaly nebo na něm prováděly údržbu. Věk obsluhy může být upraven místními zákony.
- Zajistěte, aby se při spouštění motoru, zapínání pohonu nebo během jízdy nikdo nenacházel v blízkosti výrobku.
- Pokud sečete v blízkosti silnice nebo přejíždíte silnici, sledujte dopravní situaci.
- Nikdy výrobek nepoužívejte, když jste unaveni, pod vlivem alkoholu či jiných drog nebo když užíváte léky, které mohou negativně ovlivnit váš zrak, odhad, koordinaci nebo úsudek.
- Výrobek vždy zaparkujte na rovném povrchu a vypněte motor.

- Bez souhlasu výrobce v jednotce neupravujte žádné zařízení ani do ní neinstalujte žádné nestandardní zařízení. Úpravy jednotky mohou vést k nebezpečnému provozu nebo zničení jednotky.

Bezpečnostní pokyny ohledně dětí



VÝSTRAHA: Tento výrobek může vážně zranit nebo usmrtit děti. Před použitím výrobku si přečtěte následující varování. Udržujte děti mimo dosah výrobku.

- Jestliže obsluha nevěnuje pozornost přítomnosti dětí, může dojít k tragickým nehodám. Výrobek a sečení trávy často přitahují děti. Nikdy nepředpokládejte, že děti zůstanou na místě, na kterém jste je naposledy viděli.
- Děti se nesmí pohybovat v pracovní oblasti a musí být pod bdělým dozorem někoho jiného, než je obsluha.
- Sledujte okolí a okamžitě vypněte výrobek, pokud děti vstoupí do pracovní oblasti. Velmi opatrně postupujte v blízkosti rohů, keřů, stromů nebo dalších objektů, které vám mohou bránit ve výhledu.
- Zvláště opatrně postupujte při jízdě v blízkosti rohů, keřů, stromů nebo jiných předmětů, které vám blokují výhled na děti.
- Před pohybem a při pohybu výrobku dozadu se dívejte za sebe a dolů a dávejte pozor na malé děti.
- Nenechte děti obsluhovat výrobek.
- Organizace American Academy of Paediatrics uvádí, že minimální doporučený věk pro obsluhu pojízdné sekačky je 16 let.
- Nevozte děti, ani když máte vypnuté nože. Děti by mohly vypadnout a vážně se zranit nebo narušit bezpečný provoz výrobku. Děti, které se již někdy svezly, se mohou náhle objevit na ploše s prosbou o nové svezení a mohou být při pojezdu nebo couvání přejety.

Bezpečnostní pokyny pro provoz



VÝSTRAHA: Před použitím výrobku si přečtěte následující varování.

- Nepoužívejte sekačku, pokud sběrač není zcela nainstalován.
- Nepoužívejte sekačku se sběrným systémem, nejsou-li instalována přední závaží.
- Před otevřením sběrného systému se ujistěte, že se všechny pohyblivé části zastavily.
- Před odstraněním trávy uvízlé ve sběrném systému se ujistěte, že se všechny pohyblivé části zastavily.

- Odstraňte z plochy předměty, jako jsou kameny, hračky, dráty apod., které by mohly být zachyceny nebo odmrštěny noži.
- Výrobek smí obsluhovat pouze zodpovědné dospělé osoby.
- Před zahájením sečení zkontrolujte, zda se na ploše nenacházejí osoby nebo zvířata. Jestliže na plochu někdo vstoupí, zastavte výrobek.
- Před zatočením snižte rychlost.
- Před zatočením kolem rohu snižte rychlost.
- Když výrobek neseče, deaktivujte nože.
- Než spustíte výrobek, zavřete kryt sběrače.
- Při přesunu výrobku přes oblasti, kde mohou být odmrštěné předměty, deaktivujte nože sekačky.
- Nepokoušejte se sbírat předměty, které mohou být odmrštěny ze sběrného systému.
- Při práci s výrobkem vždy používejte ochranu očí. Odmrštěné předměty mohou způsobit zranění očí.
- Po každém použití a před uskladněním zkontrolujte, že jsou sběrné koše prázdné. Tráva, která zůstane ve sběrných koších, může spontánně vzplanout a způsobit požár.
- Podle dostupných údajů dochází k velkému procentu poranění při práci se sekacími stroji, jestliže jsou obsluhovány osobami staršími 60 let. Tyto osoby by měly zhodnotit, zda jsou schopny používat sekačku natolik bezpečně, aby chránily sebe i ostatní osoby před úrazem.

Bezpečnostní pokyny před instalací sběrného systému



VÝSTRAHA: Před použitím výrobku si přečtěte následující varování.

- Zaparkujte na rovném povrchu.
- Zatáhněte parkovací brzdu.
- Nastavte ovládací páky do neutrální polohy.
- Zastavte motor a vyjměte klíček zapalování.
- Před instalací sběrného systému se ujistěte, že se všechny pohyblivé části zastavily.

Bezpečnostní pokyny pro provoz ve svahu



VÝSTRAHA: Před použitím výrobku si přečtěte následující varování.

- Svahy jsou hlavním faktorem, co se týče nehod. Sečení na svazích vyžaduje maximální pozornost.
- Na svazích jezděte ve směru doporučeném výrobcem. Při práci v blízkosti srázů buďte opatrní.
 - Nesekejte mokrou trávu. Pneumatiky mohou prokluzovat.

- Za žádných okolností neprovazujte výrobek, pokud má problémy s trakcí, řízením nebo stabilitou. Pneumatiky se mohou smýkat i po zastavení kol.
- Při jízdě ze svahu musíte mít vždy zařazenou rychlost. Nejezděte z kopce s vypnutým motorem.
- Na svazích se nerozjíždějte ani nezastavujte. Neprovádějte náhlé změny v rychlosti a směru. Zatáčejte pomalu a postupně.
- Pokud pneumatiky začnou prokluzovat, odpojte nože a pomalu pokračujte ze svahu dolů.
- Při použití výrobku s košem na trávu nebo jiným příslušenstvím buďte velmi opatrní. Mohou mít vliv na stabilitu výrobku.
- Při sečení trávy na svazích se zvyšuje riziko, že nebudete mít výrobek pod kontrolou a že se převrátí. Může dojít k zranění nebo smrti. Na svazích je nezbytné sekat trávu opatrně. Pokud nelze do svahu couvat nebo pokud se na něm necítíte jistě, nesekejte na něm.
- Odstraňte kameny, větve a jiné překážky.
- Sekejte trávu na svahu nahoru a dolů, nikoli po vrstevnici.
- Nepoužívejte výrobek na svahu se sklonem větším než 10°.
- Na svazích se pohybujte pomalu.
- Sledujte terén a nepřejíždějte vyjeté koleje, díry a vyvýšeniny. Na nerovném terénu hrozí větší nebezpečí převrácení výrobku. Vysoká tráva může překážky skrýt.
- Nesekejte trávu v blízkosti okrajů, děr a příkrých břehů. Od těchto nebezpečí se držte na vzdálenost alespoň jedné šířky stroje. Výrobek se může náhle převrátit, pokud se kola pohybují na okraji prudkého svahu nebo jámy nebo pokud kola ztratí kontakt se zemí.

Bezpečnostní pokyny pro údržbu



VÝSTRAHA: Před použitím výrobku si přečtete následující varování.



VÝSTRAHA: Výrobek je těžký a může způsobit úraz nebo poškodit majetek nebo blízké okolí. Neprovádějte údržbu na motoru nebo žacím ústrojí, pokud nejsou splněny následující podmínky:

- Motor je vypnutý.
- Výrobek je zaparkován na rovné ploše.
- Je aktivovaná parkovací brzda.
- Klíček zapalování je v poloze zastavení a vyjmutý.
- Nože jsou odpojené.
- Všechny pohyblivé části se zastavily.

- Ze zapalovacích svíček je odmontován kabel zapalování.



VÝSTRAHA: Kapalina unikající pod tlakem může mít dostatečnou sílu, aby pronikla pokožkou a způsobila vážné zranění. Dojde-li ke vstříknutí kapaliny do kůže, okamžitě vyhledejte lékařskou pomoc. Udržujte tělo a ruce mimo otvory nebo trysky, kterými je pod vysokým tlakem vytlačována kapalina. Pokud dojde k úniku, požádejte neprodleně kvalifikovaného technika, aby výrobek opravil.



VÝSTRAHA: Výfukové plyny obsahují oxid uhelnatý, jedovatý a velmi nebezpečný plyn bez zápachu. Nenechávejte výrobek spuštěný v uzavřených prostorech nebo prostorech s nedostatečným prouděním vzduchu.

- Udržujte výrobek v dobrém provozním stavu. Vyměňte opotřebené nebo poškozené součásti. Při údržbě nožů buďte opatrní. Nože zabalte nebo použijte rukavice. Poškozené nože vyměňte. Neopravujte ani neupravujte nože. Před prováděním jakékoli opravy odpojte kabel zapalovací svíčky a záporný kabel baterie, pokud je jimi stroj vybaven. Pro zajištění nejlepšího výkonu a bezpečnosti pravidelně provádějte údržbu výrobku podle plánu údržby. Další informace jsou uvedeny v části *Plán údržby na strani 34*.
- Elektrické součásti mohou způsobit úraz elektrickým proudem. Při spuštěném motoru se nedotýkejte kabelů. Neprovádějte zkoušku systému zapalování pomocí prstů.
- Před prováděním údržby poblíž motoru nechte výrobek vychladnout.
- Nože jsou ostré a mohou způsobit řezná zranění. Před manipulací s noži je omotejte ochranným materiálem nebo použijte ochranné rukavice.
- Neprotáčejte motor, pokud je vyjmutá zapalovací svíčka nebo odpojený kabel zapalování.
- Zkontrolujte, zda jsou všechny matice a šrouby řádně utažené a zda je vybavení v dobrém stavu.
- Neměňte nastavení omezovačů. V případě příliš vysokých otáček motoru může dojít k poškození součástí výrobku.
- Výrobek byl schválen pouze se zařízeními, která dodal nebo doporučil výrobce.
- Při opravách používejte pouze originální náhradní díly. Použití jiných dílů vede ke zneplatnění záruky.

Instalace

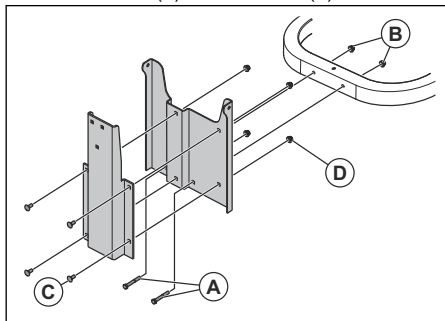
Úvod



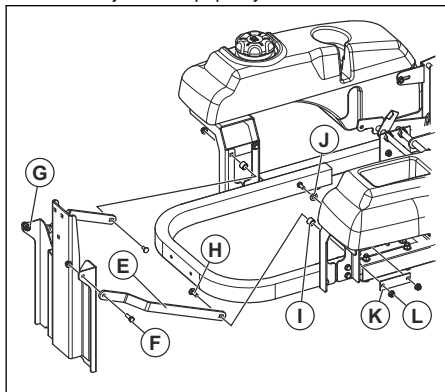
VÝSTRAHA: Než začnete instalovat výrobek, přečtěte si pozorně kapitolu o bezpečnosti.

Montáž držáku sběrače

1. Namontujte nosný držák na rám pomocí 2 šroubů s šestihrannou hlavou 5/16-18x2-1/4 (A) a 2 matic 5/16 (B).



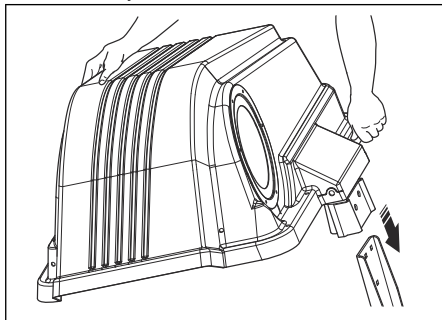
2. Namontujte závěsný držák na nosný držák pomocí 4 vratových šroubů 5/16-18x3/4 (C) a 4 matic 5/16 (D).
3. Nainstalujte nosné popruhy do nosného držáku.



4. Nainstalujte popruhy (E) do nosného držáku pomocí 2 vratových šroubů 5/16-18x1-1/4 (F) a 2 matic 5/16 (G).
5. Namontujte popruhy do držáků nádoby pomocí 4 šroubů se šestihrannou hlavou 5/16-18x1 (H), 2 distančních vložek (I), 2 podložek (J), 2 výztužných destiček (K) a 4 matic 5/16 (L).

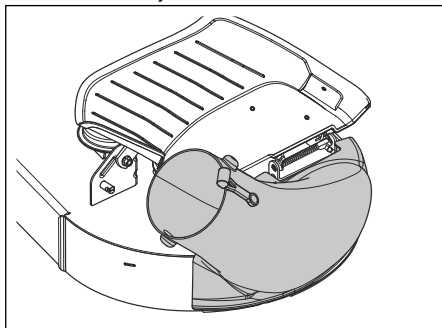
Montáž krytu sběrače

1. Namontujte držák sběrače. Další informace jsou uvedeny v části *Montáž držáku sběrače na strani 32*.
2. Nasaďte kryt sběrače na držák sběrače.



Instalace kanálu bočního výhozu

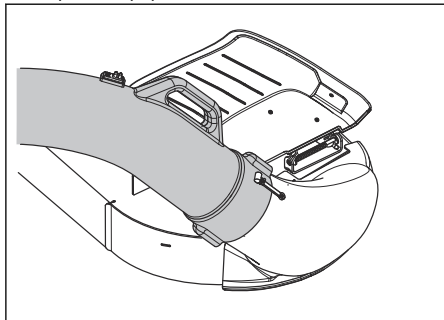
1. Zvedněte kryt bočního výhozu.
2. Umístěte kanál bočního výhozu kolem držáku krytu.
3. Připojte západky kanálu bočního výhozu ke skeletu sekačky.



Instalace kanálu sběrače

1. Umístěte kanál sběrače na kanál bočního výhozu.

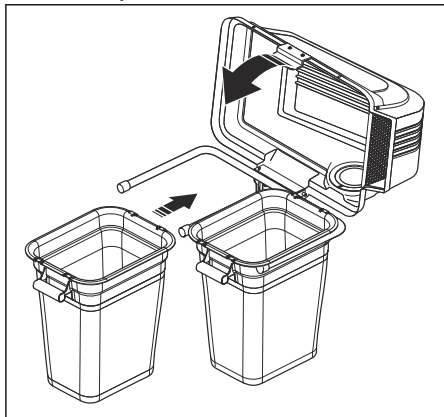
2. Připevněte popruh.



3. Vložte kanál sběrače do otvoru na krytu sběrače.

Instalace košů

1. Vyklopte kryt sběrače.
2. Položte 2 koše na nosný rám.
3. Zavřete kryt sběrače.

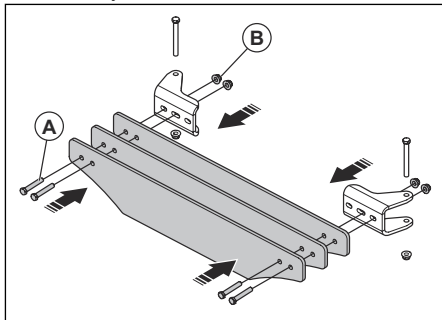


Instalace předního závaží

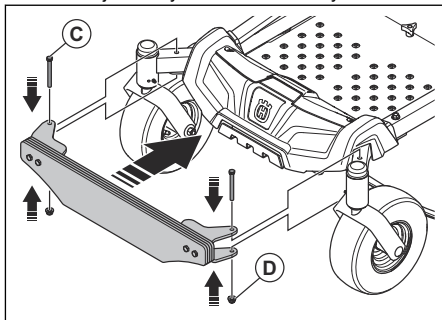


VÝSTRAHA: Nepoužívejte sběrný systém bez předních závaží.

1. Namontujte desky předního závaží do držáků pomocí 4 šroubů s šestihlannou hlavou 3/8-16x2-1/4 (A) a 4 matic 3/8 (B). Matice zcela nedotahujte.



2. Zarovnejte otvory v držáčích s otvory v rámu.



3. Namontujte šrouby 3/8-16x3-1/2 (C) a matice 3/8 (D).
4. Utáhněte všechny matice.

Úvod



VÝSTRAHA: Před používáním produktu je třeba, abyste si přečetli a porozuměli kapitole o bezpečnosti.

Obsluha výrobku

- Dodržujte provozní pokyny uvedené v návodu k používání sekačky.

- Při používání sběrného systému používejte motor při plných otáčkách.
- Jezděte výrobkem dopředu nízkou rychlostí, abyste dosáhli dobrých výsledků při sečení a sběru trávy.
- Pokud je tráva vysoká a hustá, posekejte ji dvakrát. Nejprve sekejte na nejvyšší výšku sečení a podruhé ve správné výšce.
- K sečení v blízkosti objektů používejte levou stranu sekačky.
- Nesekejte mokrá trávník. Mokrý tráva může ucpat sběrný systém.

- Pokud sběrný systém nesbírá posečenou trávu, vyprázdněte sběrný koš. Pokud problém přetrvává, když jsou sběrné koše prázdné, přesvědčte se, že kanál sběrače není ucpaný.
- Narazíte-li na volný předmět, zastavte sekačku a ujistěte se, že sběrný systém není poškozen.
- Zabraňte zkroucení kanálu sběrače.
- Zamezte kontaktu kanálu sběrače se stěnami budov nebo dalšími tvrdými povrchy.

Údržba

Úvod



VÝSTRAHA: Před prováděním jakékoli údržby je třeba, abyste si přečetli a porozuměli kapitole bezpečnosti.

X = Pokyny jsou uvedeny v tomto návodu k používání.

O = Pokyny se nacházejí v příručce k motoru.

Plán údržby pro obsluhu

Plán údržby

* = Pokyny nejsou uvedeny v tomto návodu k používání.

| Údržba | Denní údržba | Interval údržby v hodinách | | |
|--|----------------------|----------------------------|----|----|
| | Před každým použitím | 5 | 25 | 50 |
| Zkontrolujte a vyčistěte sběrné koše. | X | X | | |
| Zkontrolujte, zda jsou matice a šrouby dotažené. | X | | | |
| Ujistěte se, že je kanál sběrače dotažený. | X | | | |
| Vyčistěte výrobek. | | | | X |

Čištění výrobku

- Pomocí kartáče odstraňte z výrobku nechtěný materiál a trávu.

- V případě potřeby použijte vysokotlaký čistič a slabý čisticí prostředek. Nepoužívejte tlak vody vyšší než 68,9 bar.

Odstraňování problémů

Tabulka řešení problémů

Pokud nedokážete najít řešení problémů v tomto návodu k používání, obraťte se na servis Husqvarna.

| Problém | Příčina |
|---------------------------------|---|
| Ztráta průtoku vzduchu. | Kanál sběrače nebo vstup krytu sběrače jsou ucpané. |
| | Nádoba je plná. |
| | Látka ve sběrači je zablokovaná. |
| Neobvyklé vibrace nebo hluk. | Ve sběrači je pevný objekt. |
| | Uvolněné nebo chybějící šrouby nebo matice. |
| Kryt sběrače se obtížně zavírá. | Předměty ve sběrači blokují kryt sběrače. |
| | Šrouby závěsu krytu sběrače jsou příliš utažené. |

Přeprava, skladování a likvidace

Přeprava

- Výrobek nevlečte.
- Výrobek je těžký a může způsobit zranění rozdrcením. Při nakládání výrobku na vozidlo nebo přívěs i při vykládání dbejte zvýšené opatrnosti.
- Při nakládání výrobkem couvejte na schválené rampy s maximálním provozním úhlem 10°. Výrobek nezdvíhejte.
- Při přepravě výrobku používejte schválený přívěs.
- Před přepravou výrobku na přívěsu po silnici se řádně seznámte s místními pravidly silničního provozu.
- Zajistěte výrobek schválenými zařízeními, jako jsou popruhy. Použijte upevňovací body na výrobku nebo příslušné oblasti rámu. Parkovací brzda není dostačující k zajištění výrobku během přepravy.

Skladování

Na konci sezóny a před uskladněním na dobu delší než 30 dní připravte výrobek k uskladnění. Když necháte v palivové nádrži palivo déle než 30 dní, mohou lepkavé usazeniny ucpat karburátor. To může negativně ovlivňovat správnou činnost motoru.

Aby se zabránilo lepkavým usazeninám při skladování, přidejte stabilizátor. Při použití alkylátového benzínu není nutné používat stabilizátor. Používáte-li standardní benzín, nezačínajte používat alkylátový benzín. Citlivé pryžové součásti mohou ztvrdnout. Stabilizátor přidejte do paliva v nádrži nebo v kanystru používaném ke skladování paliva. Vždy používejte mísicí poměry stanovené výrobcem. Přidejte stabilizátor a nechte motor běžet minimálně 10 minut, dokud palivo nezačne vtékat do karburátoru.



VÝSTRAHA: Je-li v nádrži palivo, neskladujte stroj v uzavřených nebo špatně větraných prostorech. Hrozí nebezpečí požáru, pokud se výpary paliva dostanou do kontaktu s otevřeným ohněm, jiskrami nebo zapalovacím plamínkem, který se vyskytuje například u karmy, zásobníku horké vody, sušičky atd.



VÝSTRAHA: Odstraňte z výrobku trávu, listí a další hořlavé materiály, aby se snížilo nebezpečí požáru. Před uložením do skladovacího prostoru nechte výrobek vychladnout.

- Vyčistěte výrobek, viz *Čištění výrobku na strani 34*.
- Odstraňte z chladicího ventilátoru nežádoucí materiály.
- Opravte poškozený lak, aby se zabránilo korozi.
- Prohlédněte výrobek ohledně opotřebovaných a poškozených součástí a dotáhněte povolené šrouby a matice.
- Vyměňte baterii. Vyčistěte baterii, nabijte ji a během skladování ji udržujte v chladu.
- Vyměňte motorový olej a zlikvidujte vyjetý olej.
- Vyprázdněte palivovou nádrž. Nastartujte motor a nechte jej běžet, dokud se nespoteřebuje zbývající palivo v karburátoru.

Povšimněte si: Pokud jste přidali stabilizátor, nevyprazdňujte palivovou nádrž ani karburátor.

- Vyměňte svíčky a do každého válce nalijte asi polévkovou lžici motorového oleje. Ručně otočte hřídeli motoru, aby se olej rozprostřel ve válci a instalujte zpět svíčky.
- Promažte všechny maznice, spoje a osy.
- Výrobek skladujte na čistém a suchém místě a jako dodatečnou ochranu jej přikryjte.

Indhold

| | | | |
|-------------------|----|---|----|
| Indledning..... | 36 | Vedligeholdelse..... | 42 |
| Sikkerhed..... | 37 | Fejlfinding..... | 42 |
| Installation..... | 40 | Transport, opbevaring og bortskaffelse..... | 43 |
| Drift..... | 41 | | |

Indledning

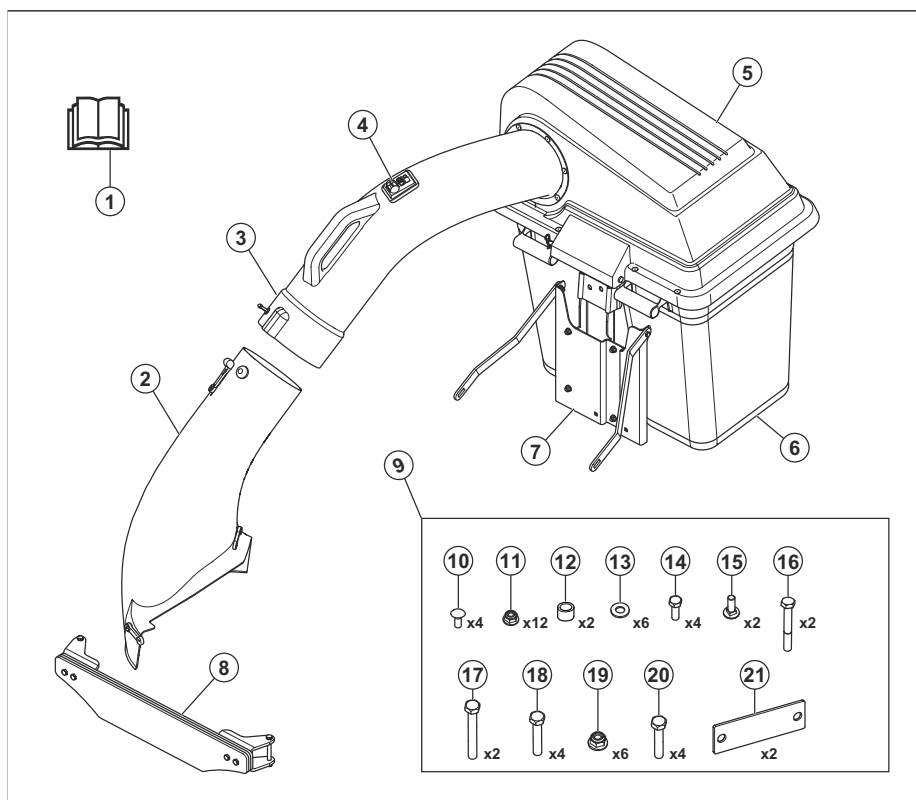
Produktbeskrivelse

Dette produkt er et græsopsamlingsystem. Det opsamlede græs kan bruges som kompost til græsplænen eller planterne eller bortskaffes som haveaffald.

Anvendelsesformål

Dette produkt er beregnet til opsamling af græsafklip under klippearbejde for at give din græsplæne et velplejet look. Brug ikke produktet til andre opgaver.

Produktoversigt



1. Brugervejledning
2. Sideudkastesliske
3. Opsamlersliske
4. Indikator for fuld pose
5. Dæksel
6. Pose

7. Opsamlerbeslag
8. Frontvægt
9. Hardwaretaske
10. Bræddebolt, 5/16-18x3/4
11. Møtrik 5/16
12. Afstandsstykke

13. Skive
14. Sekskantbolt, 5/16-18x1
15. Bræddebolt, 5/16-18x1-1/4
16. Sekskantbolt, 5/16-18x2-1/4
17. Sekskantbolt, 3/8-16x3-1/2
18. Sekskantbolt, 3/8-16x2-1/2
19. Møtrik 3/8
20. Sekskantbolt, 3/8-16x2-1/4
21. Forstærkningsplade

- produktet er forkert repareret.
- produktet er repareret med dele, der ikke er fra producenten eller ikke er godkendt af producenten
- produktet har tilhør, der ikke er fra producenten eller ikke er godkendt af producenten.
- produktet ikke er repareret på et godkendt servicecenter eller af en godkendt myndighed.

Skader på produktet

Vi er ikke ansvarlige for skader på vores produkt, hvis:

Sikkerhed

Sikkerhedsdefinitioner

Advarsler, forholdsregler og bemærkninger bruges til at pege på særligt vigtige dele af brugsanvisningen.



ADVARSEL: Bruges, hvis føreren udsætter sig selv eller omkringstående personer for risiko for personskade eller dødsfald ved tilsidesættelse af instruktionerne i brugsanvisningen.



BEMÆRK: Bruges, hvis der er risiko for skader på produktet, andre materialer eller det omgivende område ved tilsidesættelse af instruktionerne i brugsanvisningen.

Bemærk: Bruges til at give yderligere oplysninger, der er nødvendige i en given situation.

Generelle sikkerhedsinstruktioner



ADVARSEL: Læs følgende advarselsinstruktioner, inden du bruger produktet



ADVARSEL: Dette produkt kan amputere hænder og fødder og slynge ting ud. Du kan komme alvorligt til skade, hvis ikke du overholder følgende sikkerhedsregler. I værste tilfælde kan det medføre døden.



ADVARSEL: Tilsidesættelse af forsigtig brugeradfærd kan medføre farlig personskade for operatøren og andre personer. Ejeren skal forstå vejledningen og må kun lade godkendte personer, som forstår vejledningen, bruge plæneklipperen. Enhver, som bruger plæneklipperen, skal psykisk og

fysisk være ved godt helbred og må ikke være under påvirkning af euforiserende stoffer.

- Læs, forstå og følg instruktionerne og advarslerne i dette dokument, i brugervejledningen samt på produktet, motoren og udstyret.
- Kun ansvarsbevidste brugere, der er oplært i brugen, bekendt med instruktionerne og fysisk i stand til det, må betjene produktet.
- Sørg for at informere en person om, at du skal betjene produktet, hvis der opstår personskade eller uheld.
- Det er ikke tilladt at transportere passagerer. Hold uvedkommende borte.
- Køb ikke med produktet, hvis du er påvirket af alkohol, medicin eller rusmidler.
- Følg producentens anbefalinger vedrørende hjulvægte og kontravægte.
- Lær, hvordan du bruger produktet og dets kontrolfunktioner sikkert, og lær at standse produktet hurtigt.
- Lær at genkende sikkerhedsmærkaterne.
- Hold produktet rent for at sikre, at man tydeligt kan læse alle skilte og mærkater.
- Vær opmærksom på, at brugeren er ansvarlig for ulykker, der involverer andre personer eller disses ejendom.
- Du må kun bruge produktet i dagslys eller under gode lysforhold. Hold produktet på sikker afstand af huller og andre ujævnheder i terrænet. Hold øje med andre potentielle risici.
- Lad ikke børn eller andre personer, som ikke er godkendt til at bruge produktet, bruge eller udføre service på det. Lokal lovgivning kan stille krav til operatørens alder.
- Sørg for, at ingen andre opholder sig i nærheden af produktet, når du starter motoren, aktiverer drevet eller begynder at køre med produktet.
- Hold øje med trafikken, hvis du slår græs i nærheden af en vej eller krydser en vej.

- Brug ikke produktet, hvis du er træt, hvis du er påvirket af alkohol, narkotika, medicin eller andet, som kan forringe dit syn, din årvågenhed, din kropskontrol eller din dømmekraft.
- Parker altid produktet på en plan overflade med motoren standset.
- Enheden må ikke modificeres eller forsynes med udstyr, der ikke er standardudstyr, uden samtykke fra producenten. Modifikationer på enheden kan medføre faremomenter i forbindelse med driften eller beskadige enheden.

Sikkerhedsinstruktioner vedrørende børn



ADVARSEL: Børn kan blive alvorligt kvæstet eller dræbt af dette produkt. Læs følgende advarselsinstruktioner, inden du bruger produktet. Hold børn væk.

- Tragiske ulykker kan ske, hvis operatøren ikke er opmærksom på tilstedeværelsen af børn. Børn tiltrækkes ofte af produktet eller græsslåningsarbejdet. Gå aldrig ud fra, at børnene bliver dér, hvor du sidst har set dem.
- Hold børn væk fra arbejdsområdet, og sørg for, at de holdes under opsyn af en anden voksen.
- Hold udkig, og stop produktet med det samme, hvis børn kommer ind i arbejdsområdet. Vær særlig forsigtig i nærheden af hjørner, buske, træer eller andre genstande, som kan spærre dit udsyn.
- Vær særligt forsigtig, når du kører i nærheden af blinde hjørner, buske, træer eller andre genstande, der kan blokere udsynet, så du ikke ser eventuelle børn.
- Før og mens du flytter produktet baglæns, skal du se bagud og kigge ned efter små børn.
- Lad ikke børn betjene produktet.
- American Academy of Pediatrics anbefaler, at børn er mindst 16 år, før de betjener en plæneklipper med siddende operatør.
- Medbring aldrig børn på maskinen, heller ikke selv om kniven(e) er slået fra. Børn kan falde af og få alvorlige skader eller være i vejen for den sikre betjening af produktet. Børn, der tidligere har fået køreture på maskinen, kan pludselig dukke op i området, hvor der slås græs, for at få endnu en køretur og i den forbindelse risikere at blive kørt over af produktet.

Sikkerhedsinstruktioner for betjening



ADVARSEL: Læs nedenstående advarselsinstruktioner, inden du bruger produktet.

- Betjen ikke plæneklipperen, hvis opsamlere ikke er helt monteret.

- Betjen ikke plæneklipperen med opsamlingssystemet, hvis frontvægtene ikke er monteret.
- Sørg for, at alle bevægelige dele stopper, før du åbner opsamlingssystemet.
- Sørg for, at alle bevægelige dele stopper, før du fjerner tilstoppet græs fra opsamlingssystemet.
- Fjern sten, legetøj, ståltråd osv. fra området, da de kan blive fanget af knivene og slynget ud.
- Lad kun ansvarlige voksne betjene produktet.
- Sørg for, at der ikke er nogen personer eller kæledyr i området, før du klipper græs. Stands produktet, hvis nogen kommer ind i området.
- Sænk hastigheden, før du drejer.
- Sænk hastigheden, før du drejer om et hjørne.
- Deaktiver knivene, når produktet ikke slår græs.
- Luk dækslet til opsamlere, før du starter produktet.
- Deaktiver plæneklipperens knive, når du flytter produktet hen over områder, hvor udslyngede genstande kan være farlige.
- Forsøg ikke at indsamle genstande, der kan blive slynget ud af opsamlingssystemet.
- Bær beskyttelsesbriller, når du bruger produktet. Udkastede genstande kan forårsage øjenskader.
- Sørg for, at opsamlingsposerne er tomme efter hver brug og før opbevaring. Græs, der efterlades i opsamlingsposerne, kan resultere i spontan antændelse og kan starte en brand.
- Undersøgelser viser, at førere, der er 60 år gamle eller ældre, er indblandet i forholdsmæssigt flere ulykker med plænetraktorer. Sådanne operatører skal meget nøje vurdere deres evne til at betjene en plæneklipper med siddende operatør sikkert for at beskytte sig selv og andre mod alvorlig skade.

Sikkerhedsinstruktioner før installation af indsamlingssystemet



ADVARSEL: Læs nedenstående advarselsinstruktioner, inden du bruger produktet.

- Parkér på en plan overflade.
- Aktivér parkeringsbremsen.
- Stil styrepindene i den neutrale stilling.
- Stop motoren, og fjern tændingsnøglen.
- Sørg for, at alle bevægelige dele stopper, før du installerer opsamlingssystemet.

Sikkerhedsinstruktioner for betjening på skråninger



ADVARSEL: Læs følgende advarselsinstruktioner, inden du bruger produktet.

Skråninger er en vigtig faktor i forbindelse med ulykker. Man skal være særlig forsigtig, når man kører på skråninger.

- Kør i producentens anbefalede retning på skråninger. Vær forsigtig, når du arbejder i nærheden af kanter med fald.
- Undgå at slå vådt græs. Dækkene kan miste trækraft.
- Brug ikke produktet under forhold, hvor trækraft, styring eller stabilitet er tvivlsom. Dækkene kan glide, selv om hjulene er stoppet.
- Kør altid med produktet i gear ned ad skråninger. Kør ikke i frige gear ned ad bakke.
- Undgå at sætte i gang og standse på skråninger. Undgå pludselige ændringer af hastighed eller retning. Drej langsomt og gradvist.
- Hvis dækkene mister grebet, skal du koble knivene fra og fortsætte langsomt direkte ned ad skråningen.
- Vær særlig forsigtig, når du betjener produktet med en græsopsamler eller andet udstyr. Dette kan påvirke produktets stabilitet.
- Klipping af græs på skråninger øger risikoen for, at du ikke kan styre produktet og at produktet vælter. Det kan forårsage personskade eller dødsfald. Klipping af græs på skråninger skal udføres med forsigtighed. Undlad at klippe græsset, hvis det ikke er muligt at bakke op ad en skråning, eller du ikke føler, at det er sikkert.
- Fjern sten, grene og andre forhindringer.
- Klip græsset på skråningen opad og nedad og ikke fra side til side.
- Brug ikke produktet på skråninger, der hælder mere end 10°.
- Kør jævnt og langsomt på skråninger.
- Hold øje med, og kør ikke hen over furer, huller og bump. Der er en større risiko for, at produktet vælter, på skrånende underlag. Langt græs kan skjule hindringer.
- Undlad at klippe græsset i nærheden af kanter, grøfter og bredder. Sørg for at holde en sikkerhedsafstand til disse farer svarende til mindst maskinens bredde. Produktet kan pludselig vælte, hvis et hjul kører ud over kanten på en stejl skråning eller en grøft, eller hvis en kant bryder sammen.

Sikkerhedsinstruktioner for vedligeholdelse



ADVARSEL: Læs nedenstående advarselsinstruktioner, inden du bruger produktet.



ADVARSEL: Produktet er tungt og kan medføre personskade eller skade på ejendom eller de tilstødende områder. Udfør ikke vedligeholdelse på motoren eller klippebordet uden disse betingelser:

- Motoren er slukket.
- Produktet er parkeret på en plan overflade.
- Parkeringsbremsen er aktiveret.
- Tændingsnøglen i stopstillingen og fjernet.
- Knivene er deaktiveret.
- Alle bevægelige dele er standset.
- Tændkablerne er taget af tændrørene.



ADVARSEL: Væske, der slipper ud under tryk, kan have tilstrækkelig kraft til at trænge gennem huden og forårsage alvorlig personskade. Hvis der trænger væske ind i huden, skal der straks søges lægehjælp. Hold krop og hænder væk fra boltehuller eller dyser, der sprøjter væske ud under højt tryk. Hvis der opstår en lækage, skal produktet straks efterses af en uddannet tekniker.



ADVARSEL: Udstødningsgasserne fra motoren indeholder kulilte, som er lugtfri, giftig og meget farlig gasart. Brug ikke produktet i lukkede rum eller rum uden tilstrækkelig luftgennemstrømning.

- Hold produktet i god driftsmæssig stand. Udskift slidte eller beskadigede dele.

Vær forsigtig, når du udfører service på klingerne. Pak kniven(e) ind, eller bær handsker. Udskift beskadigede knive. Undlad at reparere eller ændre kniven(e).

Hvis de findes, skal du frakoble tændrørskabler og det negative batterikabel, inden du udfører reparationer.

For at sikre den bedst mulige ydeevne og sikkerhed skal du regelmæssigt udføre vedligeholdelsesarbejde på produktet som angivet i vedligeholdelsesskemaet. Se *Vedligeholdelsesskema på side 42*.

- Elektriske stød kan medføre personskade. Børér ikke kablerne, mens motoren kører. Udfør ikke en funktionstest på tændingssystemet med fingrene.
- Lad produktet køle af, inden du udfører vedligeholdelse nær motorrummet.
- Knivene er skarpe og kan forårsage snitsår. Vikl beskyttelse omkring knivene, eller brug beskyttelseshandsker, når du skal arbejde med knivene.
- Tørn ikke motoren, hvis tændrøret eller tændkablet er afmonteret.
- Sørg for, at alle møtrikker og bolte er spændt korrekt, og at udstyret er i god stand.

- Du må ikke ændre indstillingen af regulatorerne. Hvis motoromdrejningstallet er for højt, kan produktets komponenter blive beskadiget.
- Produktet er kun godkendt med det udstyr, der er leveret eller anbefalet af producenten.

- Brug kun originale reservedele ved reparationer. Brug af andre reservedele vil medføre bortfald af garantien.

Installation

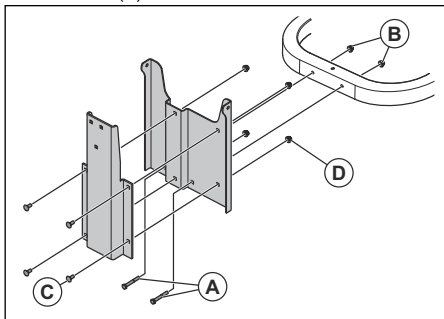
Indledning



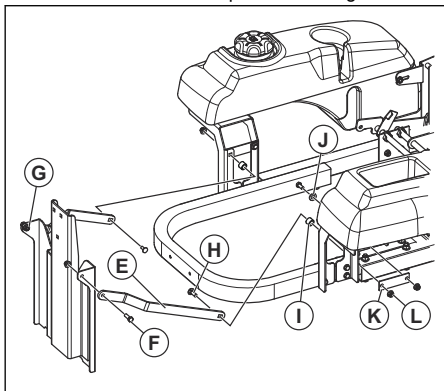
ADVARSEL: Læs, og sørg for at have forstået kapitlet om sikkerhed, før du installerer produktet.

Sådan monteres beslaget til opsamlere

1. Monter støttebeslaget på rammen med 2x 5/16-18x2-1/4 sekskantbolte (A) og 2x 5/16 møtrikker (B).



2. Monter ophængsbeslaget på støttebeslaget med 4x 5/16-18x3/4 bræddebolte (C) og 4x 5/16 møtrikker (D).
3. Monter støtteremmen på støttebeslaget.

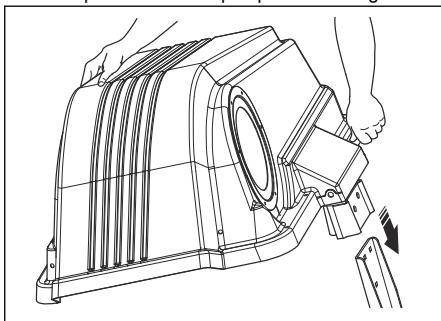


4. Monter stropperne (E) på støttebeslaget med 2x 5/16-18x1-1/4 bræddebolte (F) og 2x 5/16 møtrikker (G).

5. Monter stropperne på tankbeslagene med 4x 5/16-18x1 sekskantbolte (H), 2x afstandsstykke (I), 2x spændskive (J), 2x forstærkningsplader (K) og 4x 5/16 møtrikker (L).

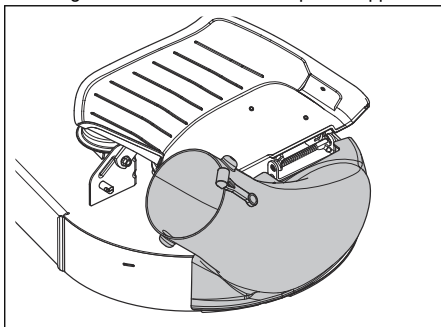
Sådan monteres dækslet på opsamlere

1. Monter opsamlerens beslag. Se *Sådan monteres beslaget til opsamlere på side 40*.
2. Sæt opsamlerdækslet på opsamlerebeslaget.



Sådan monteres sideudkasteslisken

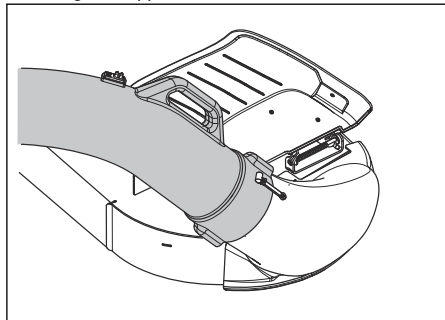
1. Løft dækslet til sideudkast.
2. Sæt sideudkasteslisken rundt om dækselbeslaget.
3. Fastgør udkastesliskens låse til plæneklipperen.



Sådan monteres opsamlerslisken

1. Sæt opsamlerslisken på sideudkasteslisken.

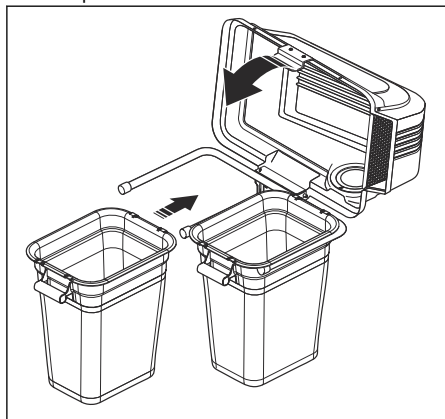
2. Fastgør stroppen.



3. Sæt opsamlerslisken ind i åbningen på opsamlerdækslet.

Sådan monteres poserne

1. Vip opsamlersens dæksel op.
2. Sæt de 2 poser på støtterammen.
3. Luk opsamlerdækslet.

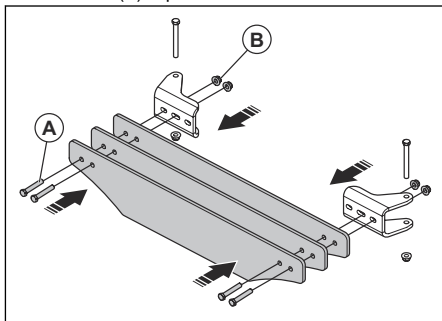


Sådan monteres frontvægten

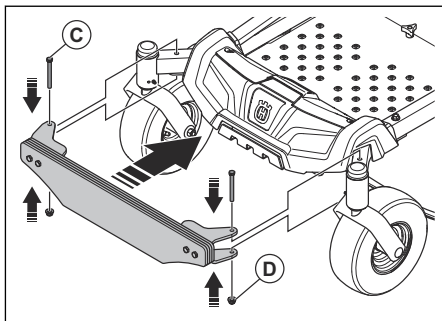


ADVARSEL: Brug ikke opsamlingsystemet uden frontvægte.

1. Monter frontvægtpladerne på beslagene med 4x 3/8-16x2-1/4 sekskantbolte (A) og 4x 3/8 møtrikker (B). Spænd ikke møtrikkerne helt.



2. Juster hullerne i beslagene med hullerne i rammen.



3. Monter 3/8-16x3-1/2 boltene (C) og de 3/8 møtrikker (D).
4. Spænd alle møtrikker.

Drift

Indledning



ADVARSEL: Før du bruger produktet, skal du læse og forstå kapitlet om sikkerhed.

Betjening af produktet

- Følg betjeningsinstruktionerne i plæneklipperens brugervejledning.
- Lad motoren køre ved fuld hastighed, når du bruger opsamlingsystemet.
- Flyt produktet fremad ved lav hastighed for at opnå et godt klippe- og opsamlingsresultat.
- Klip græsset 2 gange, hvis græsset er højt og tykt. Den første klipning skal være i den højeste klippehøjde, og den anden klipning skal være i den korrekte højde.
- Brug venstre side af plæneklipperen til at klippe i nærheden af genstande.

- Slå ikke en våd græsplæne. Vådt græs er mere tilbøjeligt til at tilstoppe opsamlingsystemet.
- Tøm opsamlingsposerne, hvis opsamlingsystemet ikke opsamler det afklippede græs. Sørg for, at opsamlerslisken ikke er tilstoppet, hvis problemet fortsætter, når opsamlingsposerne er tomme.
- Stands plæneklipperen, og sørg for, at opsamlingsystemet ikke er beskadiget, hvis du rammer en løs genstand.
- Sørg for, at opsamlerslisken ikke bliver snoet.
- Træk ikke opsamlerslisken langs siderne af bygninger eller andre hårde overflader.

Vedligeholdelse

Indledning



ADVARSEL: Inden du udfører vedligeholdelsesarbejde, skal du læse og forstå kapitlet om sikkerhed.

X = Instruktionerne findes i denne brugsanvisning.

O = Se motormanualen for at få yderligere oplysninger.

Vedligeholdelsesskema for føreren

Vedligeholdelsesskema

* = Instruktionerne findes ikke i denne brugsanvisning.

| Vedligeholdelse | Daglig vedligeholdelse | Vedligeholdelsesinterval i timer | | |
|---|------------------------|----------------------------------|----|----|
| | Før hver anvendelse | 5 | 25 | 50 |
| Kontrollér og rengør opsamlerposerne. | X | X | | |
| Sørg for, at møtrikker og skruer er spændt. | X | | | |
| Kontrollér, at opsamlerslisken er spændt. | X | | | |
| Rengør produktet. | | | | X |

Sådan rengøres produktet

- Brug en børste til at fjerne uønsket materiale og græs på produktet.

- Hvis det er nødvendigt, skal du bruge en højtryksrensers og et mildt rengøringsmiddel. Vandtrykket må ikke overstige 68,9 bar.

Fejlfinding

Fejlsøgningsdiagram

Hvis du ikke kan finde en løsning på problemerne i denne brugervejledning, skal du henvende dig til dit Husqvarna-serviceværksted.

| Problem | Årsag |
|-------------------------------------|--|
| Tab af luftstrøm. | Indsamlingsslisen eller opsamlerdækslets indgang er tilstoppet. |
| | Beholderen er fuld. |
| | Stoffet i opsamleren er tilstoppet. |
| Usædvanlige vibrationer eller støj. | Der er en genstand i opsamleren. |
| | Løse eller manglende skruer eller møtrikker. |
| Opsamlerdækslet er svært at lukke. | Genstande i opsamleren forårsager en blokering af opsamlerdækslet. |
| | Skruerne til opsamlerdækslets hængsel er for stramme. |

Transport, opbevaring og bortskaffelse

Transport

- Bugser ikke produktet.
- Produktet er tungt og kan forårsage knusningsskader. Vær forsigtig, når du lægger det på eller af et køretøj eller en anhænger.
- Pålæs produktet i bakgear på godkendte ramper med en vinkel på maks. 10°. Løft ikke produktet.
- Brug en godkendt anhænger til transport af produktet.
- Sørg for, at du har kendskab til de lokale færdselsregler, inden du transporterer produktet i en anhænger eller på veje.
- Fastlås produktet ved hjælp af godkendt udstyr, f.eks. stopper. Brug fastsurringspunkter på produktet eller relevante områder af rammen. Parkeringsbremsen er ikke tilstrækkelig til at fastholde produktet under transport.

Opbevaring

Klargør produktet til opbevaring, når sæsonen er slut og før mere end 30 dages opbevaring. Hvis du beholder brændstof i tanken i 30 dage eller mere, kan dannelse af klæbrige partikler forårsage tilstopping i karburatoren. Dette har en negativ virkning på motorens funktion.

For at forhindre klæbrige partikler under opbevaring skal du tilføje en stabilisator. Hvis der anvendes alkylatbenzin, er stabilisator er ikke nødvendig. Hvis du bruger almindelig benzin, må du ikke skifte til alkylatbenzin. Dette kan medføre, at følsomme gummidele bliver hårde. Tilsæt stabilisator til brændstoffet i tanken eller den beholder, der bruges til opbevaring. Brug altid det blandingsforhold, der angives af producenten. Tilsæt stabilisatoren, og lad motoren køre i mindst 10 minutter, indtil brændstoffet strømmer ind i karburatoren.



ADVARSEL: Opbevar ikke produktet med brændstof i tanken indendørs eller på steder med dårlig ventilation. Der er risiko for brand, hvis brændstoffdampe kommer i nærheden af åben ild, gnister eller kontrollamper i f.eks. kedler, varmtvandsbeholdere og tørretumblere.



ADVARSEL: Fjern græs, blade og andre brændbare materialer fra produktet for at mindske risikoen for brand. Lad produktet køle af, før du sætter det til opbevaring.

- Rengør produktet, se *Sådan rengøres produktet på side 42*.
- Fjern fremmedlegemer fra køleventilatoren.
- Reparér laksader for at forhindre korrosion.
- Efterse produktet for slidte eller beskadigede dele, og spænd skruer og møtrikker, som måtte have løsnet sig.
- Fjern batteriet. Rengør det, lad det op og opbevar det køligt.
- Udskift motorolien, og bortskaf spildolien.
- Tøm brændstoftanken. Start motoren, og lad den køre, til der ikke er resterende brændstof i karburatoren.

Bemærk: Tøm ikke brændstoftanken og karburatoren, hvis der er tilført stabilisator.

- Fjern tændrørene, og hæld ca. en spiseskefuld motorolie i hver enkelt cylinder. Drej motorakslen med hånden for at fordele olien, og sæt tændrørene i igen.
- Smør alle smørenepler, samlinger og aksler.
- Opbevar produktet på et rent og tørt sted, og tildæk det for at opnå ekstra beskyttelse.

Inhalt

| | | | |
|-------------------|----|---|----|
| Einleitung..... | 45 | Wartung..... | 51 |
| Sicherheit..... | 46 | Fehlerbehebung..... | 52 |
| Installation..... | 49 | Transport, Lagerung und Entsorgung..... | 52 |
| Betrieb..... | 51 | | |

Einleitung

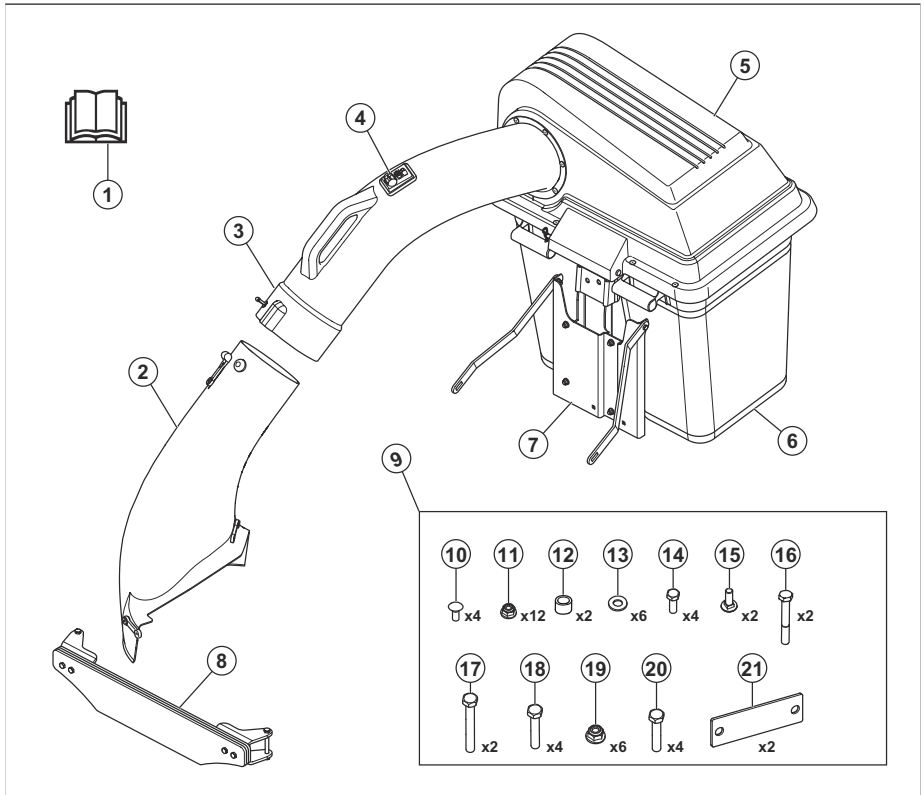
Gerätebeschreibung

Bei diesem Gerät handelt es sich um ein Grasfangsystem. Das gesammelte Gras kann als Kompost für den Rasen oder die Pflanzbeete verwendet oder als Gartenabfall entsorgt werden.

Bestimmungsgemäße Verwendung

Dieses Gerät dient dazu, Grasschnitt während des Mähbetriebs aufzufangen und Ihrem Rasen ein gepflegtes Aussehen zu geben. Verwenden Sie das Gerät nicht für andere Aufgaben.

Produktübersicht



- | | |
|--------------------------|----------------------------------|
| 1. Bedienungsanleitung | 7. Aufsammlerhalterung |
| 2. Seitenauswurfrutsche | 8. Vordergewicht |
| 3. Aufsammler | 9. Schraubenbeutel |
| 4. Anzeige Fangkorb voll | 10. Schlossschraube, 5/16-18x3/4 |
| 5. Haube | 11. Mutter, 5/16 |
| 6. Fangkorb | 12. Distanzstück |

13. Scheibe
14. Sechskantschraube, 5/16-18x1
15. Schlossschraube, 5/16-18x1-1/4
16. Sechskantschraube, 5/16-18x2-1/4
17. Sechskantschraube, 3/8-16x3-1/2
18. Sechskantschraube, 3/8-16x2-1/2
19. Mutter, 3/8
20. Sechskantschraube, 3/8-16x2-1/4
21. Verstärkungsplatte

- das Gerät nicht ordnungsgemäß repariert wird.
- das Gerät mit Teilen repariert wird, die nicht vom Hersteller stammen oder nicht vom Hersteller zugelassen sind.
- ein Zubehöerteil mit dem Gerät verwendet wird, das nicht vom Hersteller stammt oder nicht vom Hersteller zugelassen ist.
- das Gerät nicht bei einem zugelassenen Service Center oder von einem zugelassenen Fachmann repariert wird.

Produktschäden

Wir haften nicht für Schäden an unserem Produkt, wenn:

Sicherheit

Sicherheitsdefinitionen

Warnungen, Vorsichtsmaßnahmen und Hinweise werden verwendet, um auf besonders wichtige Teile der Bedienungsanleitung hinzuweisen.



WARNUNG: Wird verwendet, wenn bei Nichtbeachtung der Anweisungen in diesem Handbuch die Gefahr von Verletzung oder Tod des Bedieners oder anderer Personen besteht.



ACHTUNG: Wird verwendet, wenn bei Nichtbeachtung der Anweisungen in diesem Handbuch die Gefahr von Schäden am Gerät, an anderen Materialien oder in der Umgebung besteht.

Hinweis: Für weitere Informationen, die in bestimmten Situationen nötig sind.

Allgemeine Sicherheitshinweise



WARNUNG: Lesen Sie die folgenden Warnhinweise, bevor Sie das Gerät verwenden.



WARNUNG: Dieses Gerät kann Hände oder Füße abtrennen und Gegenstände durch die Luft schleudern. Bei Missachtung der folgenden Sicherheitshinweise besteht die Gefahr schwerer Verletzungen oder tödlicher Unfälle.



WARNUNG: Die Nichtbeachtung der gebotenen Vorgehensweisen kann zu gefährlichen Verletzungen des Bedieners und anderer Personen führen.

Der Besitzer muss diese Anweisungen verstehen und sicherstellen, dass nur geschulte Personen, die diese Anweisungen verstehen, den Mäher bedienen. Alle Personen, die den Mäher bedienen, müssen körperlich und geistig dazu in der Lage sein und dürfen keine bewusstseinsverändernden Substanzen zu sich genommen haben.

- Lesen, verstehen und befolgen Sie die Anweisungen und Warnhinweise in diesem Dokument, der Betriebsanleitung sowie am Gerät, Motor und den Anbaugeräten.
- Das Gerät darf nur von verantwortungsbewussten, geschulten Fahrern betrieben werden, die mit den Anweisungen vertraut sind und körperlich in der Lage sind, das Gerät zu bedienen.
- Informieren Sie eine Person darüber, dass Sie das Gerät bedienen, falls es zu Verletzungen oder Unfällen kommt.
- Nehmen Sie keine Passagiere mit, und halten Sie umstehende Personen fern.
- Bedienen Sie das Gerät nicht unter Alkohol- oder Drogeneinfluss.
- Befolgen Sie die Empfehlungen des Herstellers zu Rad- und Gegengewichten.
- Lernen Sie die sichere Bedienung des Geräts und seiner Bedienelemente und wie Sie das Gerät schnell anhalten können.
- Informieren Sie sich über die Bedeutung der Sicherheitsschilder.
- Halten Sie das Gerät sauber, um sicherzustellen, dass Sie die Schilder und Aufkleber gut lesen können.
- Denken Sie daran, dass der Bediener für Unfälle mit anderen Personen oder deren Eigentum verantwortlich ist.
- Betreiben Sie das Gerät nur bei Tageslicht oder guter Beleuchtung. Halten Sie sicheren Abstand zu Löchern oder anderen

Bodenunebenheiten. Achten Sie auf andere mögliche Gefahrenquellen.

- Lassen Sie keine Kinder oder andere Personen, die für die Bedienung nicht zugelassen sind, das Gerät benutzen oder warten. Unter Umständen gelten gesetzlich vorgeschriebene Altersbeschränkungen.
- Stellen Sie sicher, dass sich niemand in der Nähe des Geräts aufhält, wenn Sie den Motor starten, den Antrieb aktivieren und das Gerät in Bewegung setzen.
- Achten Sie auf den Verkehr, wenn Sie in der Nähe einer Straße mähen oder eine Straße überqueren.
- Verwenden Sie das Gerät nicht, wenn Sie müde sind, unter dem Einfluss von Alkohol, Drogen, Medikamenten oder sonstigen Mitteln stehen, die Ihre Sehkraft, Aufmerksamkeit, Körperkontrolle oder Ihr Urteilsvermögen beeinträchtigen können.
- Parken Sie das Gerät stets auf einer ebenen Oberfläche und schalten Sie den Motor ab.
- Ausrüstung, die nicht dem Standard entspricht, darf nur nach vorheriger Zustimmung durch den Hersteller modifiziert oder installiert werden. Modifikationen an der Einheit können zu unsicheren Betriebszuständen oder Beschädigungen führen.

Sicherheitsvorschriften in Bezug auf Kinder



WARNUNG: Kinder können durch dieses Gerät schwer verletzt oder getötet werden. Lesen Sie die folgenden Warnhinweise, bevor Sie das Produkt verwenden. Halten Sie Kinder vom Gerät fern.

- Es kann zu tragischen Unfällen kommen, wenn sich der Bediener nicht der Anwesenheit von Kindern bewusst ist. Gerät und Mäharbeiten ziehen oftmals die Aufmerksamkeit von Kindern auf sich. Verlassen Sie sich niemals darauf, dass Kinder an dem Ort stehen bleiben, an dem Sie sie zuletzt gesehen haben.
- Halten Sie Kinder aus dem Arbeitsbereich fern und unter Aufsicht eines aufmerksamen Erwachsenen (nicht der Bediener).
- Seien Sie aufmerksam, und stellen Sie das Gerät sofort ab, falls Kinder den Arbeitsbereich betreten. Gehen Sie in der Nähe von Ecken, Büschen, Bäumen oder anderen Objekten, die Ihre Sicht behindern, besonders vorsichtig vor.
- Gehen Sie besonders umsichtig vor, wenn Sie sich unübersichtlichen Ecken, Büschen, Bäumen oder anderen Objekten nähern, die die Sicht auf ein Kind verdecken können.
- Schauen Sie bevor und während Sie mit dem Gerät rückwärts fahren nach hinten, und halten Sie nach kleinen Kindern Ausschau.
- Lassen Sie Kinder das Gerät nicht bedienen.

- Die US-amerikanische Akademie für Kinderärzte empfiehlt, dass Kinder und Jugendliche nicht vor Erreichen des 16 Lebensjahres einen Aufsitzmäher betreiben sollten.
- Transportieren Sie keine Kinder, auch dann nicht, wenn das Schneidwerk ausgeschaltet ist. Kinder könnten herunterfallen und schwer verletzt werden oder den sicheren Betrieb des Geräts stören. Kinder, die bereits einmal mitgenommen wurden, könnten plötzlich im Arbeitsbereich auftauchen, weil sie erneut mitfahren möchten. In diesem Fall besteht die Gefahr, dass sie vom Gerät überfahren oder zu Fall gebracht werden.

Sicherheitshinweise für den Betrieb



WARNUNG: Lesen Sie die folgenden Warnhinweise, bevor Sie das Gerät verwenden.

- Betreiben Sie den Mäher nicht, wenn der Aufsammler nicht vollständig installiert ist.
- Betreiben Sie den Mäher nicht mit dem Auffangsystem, wenn die Vordergewichte nicht montiert sind.
- Achten Sie darauf, dass alle beweglichen Teile stillstehen, bevor Sie das Auffangsystem öffnen.
- Vergewissern Sie sich, dass alle beweglichen Teile stillstehen, bevor Sie verstopftes Gras aus dem Auffangsystem entfernen.
- Entfernen Sie aus dem Mähbereich Gegenstände wie Steine, Spielzeug, Kabel usw., die in die Klingen geraten und hochgeschleudert werden könnten.
- Es dürfen nur verantwortungsbewusste Erwachsenen mit dem Gerät arbeiten.
- Stellen Sie vor dem Mähen sicher, dass sich keine Personen und Haustiere in diesem Bereich befinden. Stoppen Sie das Gerät, sobald eine Person in den Arbeitsbereich gelangt.
- Verringern Sie vor Kurven die Geschwindigkeit.
- Verringern Sie die Geschwindigkeit, bevor Sie um eine Ecke fahren.
- Schalten Sie die Klingen aus, wenn das Gerät nicht mäht.
- Schließen Sie die Abdeckung des Aufsammlers, bevor Sie das Gerät verwenden.
- Schalten Sie die Klingen aus, wenn Sie mit dem Gerät über Bereiche fahren, in denen hochgeschleuderte Gegenstände gefährlich sein können.
- Versuchen Sie nicht, Objekte aufzusammeln, die aus dem Sammelsystem geworfen werden können.
- Tragen Sie einen Augenschutz, wenn Sie das Gerät verwenden. Hochgeschleuderte Gegenstände können Augenverletzungen verursachen.
- Stellen Sie sicher, dass die Fangkörbe nach jedem Gebrauch und vor der Lagerung leer

sind. Gras in den Fangkörben kann sich spontan entzünden und einen Brand verursachen.

- Daten zeigen, dass Bediener im Alter von 60 Jahren und älter in einen hohen Prozentsatz der Verletzungen durch Aufsitzmäher verwickelt sind. Diese Bediener müssen ihre Fähigkeit zum ausreichend sicheren Betrieb des Aufsitzmähers kritisch hinterfragen, um sich und andere vor Verletzungen zu schützen.

Sicherheitshinweise vor der Installation des Auffangsystems.



WARNUNG: Lesen Sie die folgenden Warnhinweise, bevor Sie das Gerät verwenden.

- Stellen Sie das Gerät auf ebenem Untergrund ab.
- Ziehen Sie die Feststellbremse an.
- Stellen Sie die Steuerhebel in die Neutralstellung.
- Stellen Sie den Motor ab und entfernen Sie den Zündschlüssel.
- Stellen Sie sicher, dass alle beweglichen Teile stillstehen, bevor Sie das Auffangsystem installieren.

Sicherheitshinweise für den Betrieb an Hängen



WARNUNG: Lesen Sie die folgenden Warnhinweise, bevor Sie das Produkt verwenden.

Hänge stellen eine besonders große Unfallgefahr dar. Bei Arbeiten an Hängen ist daher äußerste Vorsicht geboten.

- Fahren Sie an Hängen in der vom Hersteller empfohlenen Richtung. Seien Sie vorsichtig, wenn Sie in der Nähe von abschüssigem Gelände arbeiten.
- Mähen Sie kein nasses Gras. Die Reifen können die Traktion verlieren.
- Betreiben Sie das Gerät nicht unter Bedingungen, bei denen Traktion, Lenkung oder Stabilität beeinträchtigt werden. Die Reifen könnten rutschen, auch wenn die Räder stehen.
- Legen Sie immer einen Gang ein, wenn Sie ein Gefälle hinunter fahren. Fahren Sie nicht bergab.
- Vermeiden Sie das Anfahren oder Anhalten an Hängen. Vermeiden Sie abrupte Geschwindigkeits- und Richtungswechsel. Wenden Sie langsam und bedächtig.
- Verlieren die Reifen die Traktion, schalten Sie die Messer aus, und fahren Sie langsam den Hang direkt hinunter.
- Seien Sie besonders vorsichtig, wenn Sie das Gerät mit Grasfänger oder Anbaugerät(en)

benutzen. Dadurch kann die Stabilität des Geräts beeinträchtigt werden.

- Beim Rasenmähen an Steigungen besteht ein erhöhtes Risiko, dass Sie das Gerät nicht kontrollieren können und es umkippt. Dies kann zu Verletzungen oder zum Tod führen. Es ist notwendig, auf abschüssigem Gelände vorsichtig zu mähen. Wenn Sie am Hang nicht wenden können oder wenn Sie sich dabei nicht sicher fühlen, mähen Sie dort nicht.
- Entfernen Sie Steine, Äste und andere Hindernisse.
- Schneiden Sie das Gras an einer Steigung nach oben und unten, nicht von einer Seite zur anderen.
- Verwenden Sie das Gerät nicht in Gelände mit einer Neigung von mehr als 10°.
- Bewegen Sie sich an Hängen gleichmäßig und langsam.
- Achten Sie auf Furchen, Löcher und Unebenheiten und fahren Sie nicht darüber hinweg. Am Hang besteht ein erhöhtes Risiko, dass das Gerät umkippt. Langes Gras kann Hindernisse verdecken.
- Mähen Sie nicht in der Nähe von Kanten, Gräben oder Böschungen. Halten Sie einen Abstand zu diesen Gefahren, der mindestens der Breite des Geräts entspricht. Das Gerät kann plötzlich umkippen, wenn ein Rad über den Rand einer steilen Steigung oder eines Grabens fährt oder wenn eine Kante nachgibt.

Sicherheitshinweise für die Wartung



WARNUNG: Lesen Sie die folgenden Warnhinweise, bevor Sie das Gerät verwenden.



WARNUNG: Das Gerät ist schwer und kann zu Verletzungen oder Schäden an Eigentum oder angrenzenden Bereichen führen. Führen Sie keine Wartungsarbeiten an Motor oder Mähdeck durch, ohne dass die folgenden Bedingungen erfüllt sind:

- Der Motor ist ausgeschaltet.
- Das Gerät ist auf einer ebenen Fläche abgestellt.
- Die Handbremse ist angezogen.
- Der Zündschlüssel wurde in der Stopp-Stellung abgezogen.
- Die Klappen sind deaktiviert.
- Alle beweglichen Teile stehen still.
- Die Zündkabel sind von den Zündkerzen abgezogen.



WARNUNG: Unter Druck austretende Flüssigkeit kann die Haut durchdringen und schwere Verletzungen

verursachen. Suchen Sie umgehend einen Arzt auf, wenn Flüssigkeit in die Haut gelangt ist. Halten Sie Körper und Hände von Stiftbohrungen und Düsen fern, aus denen unter hohem Druck stehende Flüssigkeiten austreten. Wenn eine Undichtigkeit auftritt, lassen Sie das Gerät umgehend von einem geschulten Techniker warten.



WARNUNG: Die Abgase des Motors enthalten Kohlenmonoxid, ein geruchloses, giftiges und sehr gefährliches Gas. Verwenden Sie das Gerät nicht in geschlossenen Räumen oder in Räumen mit unzureichender Luftzirkulation.

- Halten Sie das Gerät in einem einwandfreien Arbeitszustand. Ersetzen Sie verschlissene oder beschädigte Teile.

Gehen Sie bei der Wartung der Klingen vorsichtig vor. Umwickeln Sie die Klingen oder tragen Sie Handschuhe. Ersetzen Sie beschädigte Klingen. Reparieren oder verändern Sie Klingen nicht.

Klemmen Sie vor der Durchführung von Reparaturarbeiten das bzw. die Zündkerzenkabel sowie das Minuskabel der Batterie ab, falls vorhanden.

Für eine optimale Leistung und Sicherheit führen Sie regelmäßig Wartungsarbeiten am Gerät entsprechend den Angaben im **Wartungsplan** durch. Siehe *Wartungsplan auf Seite 51*.

- Stromschläge können zu Verletzungen führen. Berühren Sie keine Kabel, während der Motor läuft. Führen Sie keinen Funktionstest an der Zündanlage mit den Fingern durch.
- Lassen Sie das Gerät abkühlen, bevor Sie Wartungsarbeiten im Bereich des Motors durchführen.
- Die Klingen sind scharf und können Schnittwunden verursachen. Umwickeln Sie die Klingen zum Schutz, oder tragen Sie Schutzhandschuhe, wenn Sie an ihnen arbeiten.
- Drehen Sie den Motor nicht um, wenn die Zündkerze oder das Zündkabel entfernt wurden.
- Stellen Sie sicher, dass alle Muttern und Schrauben korrekt angezogen sind und dass die Ausrüstung in gutem Zustand ist.
- Ändern Sie die Einstellung des Drehzahlreglers nicht. Wenn die Motordrehzahl zu hoch ist, können die Geräteteile beschädigt werden.
- Das Gerät ist nur mit der vom Hersteller gelieferten oder empfohlenen Ausrüstung zugelassen.
- Verwenden Sie für Reparaturen ausschließlich Originalersatzteile. Bei Verwendung anderer Ersatzteile erlischt die Gewährleistung.

Installation

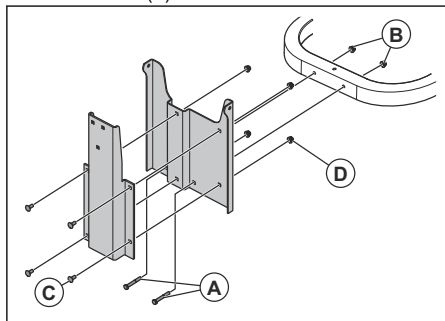
Einleitung



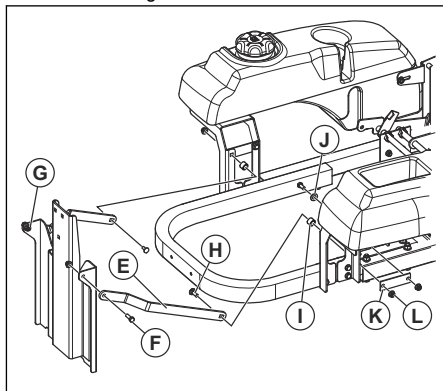
WARNUNG: Lesen Sie vor der Installation des Geräts das Kapitel über Sicherheit, und machen Sie sich damit vertraut.

Installieren der Aufsammlerhalterung

1. Montieren Sie die Stützhalterung mit 2 Sechskantschrauben 5/16-18x2-1/4 (A) und 2 Muttern 5/16 (B) am Rahmen.



2. Montieren Sie die Aufhängehalterung mit 4 Schlossschrauben 5/16-18x3/4 (C) und 4 Muttern 5/16 (D) an der Stützhalterung.
3. Montieren Sie die Stützbänder an der Stützhalterung.

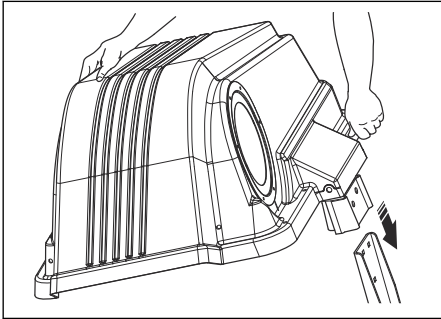


4. Montieren Sie die Stützbänder (E) mit 2 Schlossschrauben 5/16-18x1-1/4 (F) und 2 Muttern 5/16 (G) an der Stützhalterung.

5. Montieren Sie die Stützbänder mit 4 Sechskantschrauben 5/16-18x1 (H), 2 Distanzstücken (I), 2 Unterlegscheiben (J), 2 Verstärkungsplatten (K) und 4 Muttern 5/16 (L) an den Tankhalterungen.

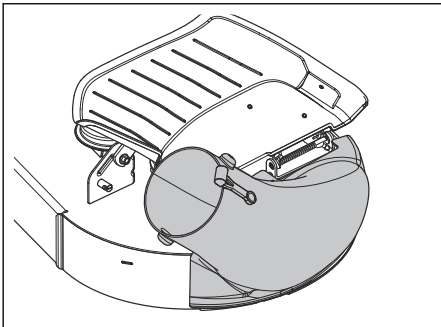
Installieren der Haube des Aufsamlers

1. Montieren Sie die Aufsamlerhalterung. Siehe *Installieren der Aufsamlerhalterung auf Seite 49*.
2. Setzen Sie die Aufsamlerhaube auf die Aufsamlerhalterung.



Montieren der Seitenauswurfrutsche

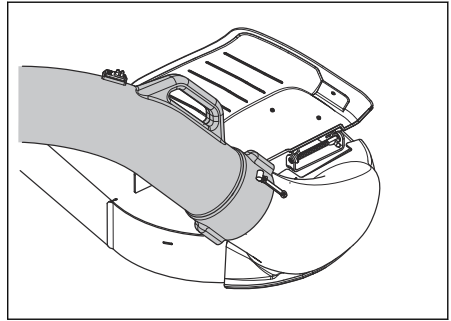
1. Heben Sie die Abdeckung des Seitenauswurfs an.
2. Legen Sie die Seitenauswurfrutsche um die Abdeckungshalterung.
3. Befestigen Sie die Verriegelungen der Seitenauswurfrutsche am Mähdeck.



Installieren des Aufsamlers

1. Setzen Sie den Aufsamler auf die Seitenauswurfrutsche.

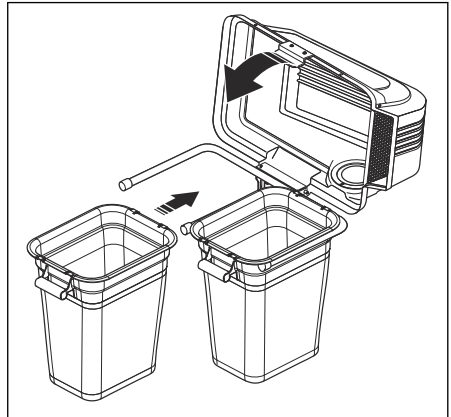
2. Befestigen Sie den Gurt.



3. Setzen Sie den Aufsamler in die Öffnung an der Aufsamlerhaube ein.

Montieren der Fangkörbe

1. Kippen Sie die Aufsamlerhaube.
2. Setzen Sie die beiden Fangkörbe in den Stützrahmen.
3. Schließen Sie die Aufsamlerhaube.

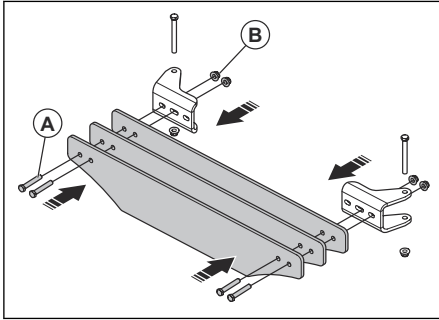


Montieren des Vordergewichts

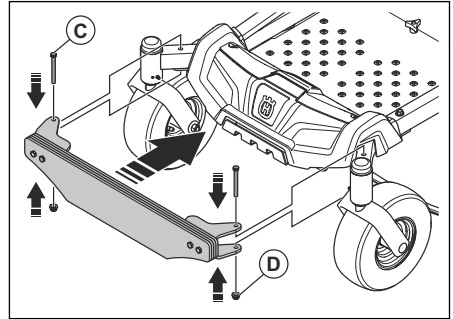


WARNUNG: Verwenden Sie das Auffangsystem nicht ohne Vordergewichte.

1. Montieren Sie die Vordergewichtsplatten mit 4 Sechskantschrauben 3/8-16x2-1/4 (A) und 4 Muttern 3/8 (B) an den Halterungen. Ziehen Sie die Muttern nicht ganz fest.



2. Richten Sie die Bohrungen in den Halterungen an den Bohrungen im Rahmen aus.



3. Montieren Sie die Schrauben 3/8-16x3-1/2 (C) und die Muttern 3/8 (D).
4. Ziehen Sie alle Muttern fest.

Betrieb

Einleitung



WARNUNG: Vor dem Betrieb des Gerätes müssen Sie die Sicherheitsinformationen lesen und verstehen.

Gerätebedienung

- Befolgen Sie die Anweisungen in der Bedienungsanleitung des Mähers.
- Lassen Sie den Motor bei Verwendung des Auffangsystems mit voller Drehzahl laufen.
- Bewegen Sie das Gerät mit niedriger Geschwindigkeit vorwärts, um ein gutes Schneide- und Auffangergebnis zu erzielen.
- Schneiden Sie das Gras zweimal, wenn es hoch und dick ist. Der erste Schnitt muss auf der höchsten Schnitthöhe und das zweite Mal auf der richtigen Höhe erfolgen.
- Verwenden Sie die linke Seite des Mähers, um in der Nähe von Objekten zu mähen.
- Mähen Sie kein nasses Gras. Nasses Gras kann das Auffangsystem schneller verstopfen.
- Entleeren Sie die Fangkörbe, wenn das Auffangsystem das gemähte Gras nicht auffängt. Vergewissern Sie sich, dass der Aufsammler nicht verstopft ist, wenn das Problem bestehen bleibt, obwohl die Fangkörbe leer sind.
- Halten Sie den Mäher an und vergewissern Sie sich, dass das Auffangsystem nicht beschädigt wurde, wenn Sie einen losen Gegenstand überfahren haben.
- Verhindern Sie, dass sich der Aufsammler verdreht.
- Ziehen Sie den Aufsammler nicht an den Seiten von Gebäuden oder anderen harten Oberflächen entlang.

Wartung

Einleitung



WARNUNG: Vor der Durchführung von Wartungsarbeiten müssen Sie die Sicherheitsinformationen lesen und verstehen.

Wartungsplan

* = Die Anweisungen sind nicht in dieser Bedienungsanleitung enthalten.

X = Diese Anweisungen sind in dieser Bedienungsanleitung enthalten.

O = Anweisungen sind in der Betriebsanleitung des Motors enthalten.

Wartungsplan für den Bediener

| Wartung | Tägliche Wartung | Wartungsintervall in Stunden | | |
|---|--------------------|------------------------------|----|----|
| | Vor der Verwendung | 5 | 25 | 50 |
| Fangkörbe überprüfen und reinigen. | X | X | | |
| Sicherstellen, dass alle Muttern und Schrauben fest angezogen sind. | X | | | |
| Sicherstellen, dass der Aufsammler fest sitzt. | X | | | |
| Das Gerät reinigen. | | | | X |

So reinigen Sie das Produkt

- Entfernen Sie mit einer Bürste unerwünschtes Material und Gras vom Gerät.
- Verwenden Sie einen Hochdruckreiniger und ein schwaches Reinigungsmittel falls erforderlich. Der Wasserdruck darf maximal 1000 psi (68,9 bar) betragen.

Fehlerbehebung

Fehlerbehebungsplan

Wenn Sie in dieser Bedienungsanleitung keine Lösung für Ihre Probleme finden können, wenden Sie sich an Ihre Husqvarna-Servicewerkstatt.

| Problem | Ursache |
|--|---|
| Verlust des Luftstroms. | Die Aufsammler oder der Einlass der Aufsammlerabdeckung ist verstopft. |
| | Der Behälter ist voll. |
| | Das Gewebe im Sammelbehälter ist verstopft. |
| Ungewöhnliche Vibrationen oder Geräusche. | Ein fester Gegenstand befindet sich im Sammelbehälter. |
| | Lockere oder fehlende Schrauben oder Muttern. |
| Die Abdeckung des Sammelbehälters lässt sich nur schwer schließen. | Gegenstände im Sammelbehälter verursachen eine Blockade der Abdeckung. |
| | Die Schamierschrauben der Sammelbehälterabdeckung sind zu fest angezogen. |

Transport, Lagerung und Entsorgung

Transport

- Schleppen Sie das Gerät nicht ab.
- Das Gerät ist schwer und kann Quetschungen verursachen. Seien Sie vorsichtig, wenn Sie es auf ein Fahrzeug oder einen Anhänger laden oder davon herunterladen.
- Laden Sie das Gerät rückwärts auf zugelassenen Rampen mit einem maximalen Steigungswinkel von 10°. Heben Sie das Gerät nicht an.
- Verwenden Sie einen für den Transport des Geräts zugelassenen Anhänger.
- Vergewissern Sie sich, dass Sie die örtliche Straßenverkehrsordnung kennen, bevor Sie das Gerät auf einem Anhänger oder auf öffentlichen Straßen transportieren.
- Sichern Sie das Gerät mit zugelassenen Vorrichtungen, wie z. B. Spanngurten. Nutzen Sie Befestigungspunkte am Gerät oder an entsprechenden Stellen des Rahmens. Die

Handbremse reicht nicht aus, um das Gerät während des Transports zu sichern.

Lagerung

Bereiten Sie das Gerät zur Lagerung am Saisonende vor und wenn es länger als 30 Tage nicht verwendet wird. Wenn Kraftstoff 30 Tage oder länger im Kraftstofftank verbleibt, können klebrige Partikel zu Verstopfungen im Vergaser führen. Dies hat negative Auswirkungen auf die Funktion des Motors.

Zur Vermeidung von klebrigen Partikeln während der Lagerung, fügen Sie einen Stabilisator hinzu. Wenn Alkylatbenzin verwendet wird, ist kein Stabilisator erforderlich. Wenn Sie Standardbenzin verwenden, wechseln Sie nicht zu Alkylatbenzin. Dadurch können sich empfindliche Gummiteile verhärtet. Geben Sie den Stabilisator zum Kraftstoff in den Tank oder in den Behälter für die Lagerung. Befolgen Sie immer die Mischungsverhältnis-Vorgaben des Herstellers. Fügen Sie den Kraftstoffstabilisator hinzu und lassen Sie den Motor mindestens 10 Minuten laufen, bis der Kraftstoff in den Vergaser fließt.



WARNUNG: Lagern Sie das Gerät nicht mit Kraftstoff im Tank in Innenräumen oder Räumen mit unzureichender Belüftung. Sonst können Benzindämpfe in Kontakt mit offenem Feuer, Funken oder einem Kontrolllämpchen (z. B. Boiler, Warmwasserspeicher und Wäschetrockner) kommen und Feuer auslösen.



WARNUNG: Entfernen Sie Gras, Blätter und andere brennbare Materialien vom Gerät, um die Brandgefahr zu reduzieren. Lassen Sie das Gerät abkühlen, bevor Sie es einlagern.

- Reinigen Sie das Gerät, siehe *So reinigen Sie das Produkt auf Seite 52*.
- Entfernen Sie unerwünschte Materialien vom Kühlerlüfter.
- Beheben Sie Lackschäden, um Rost zu vermeiden.
- Untersuchen Sie das Gerät auf abgenutzte oder beschädigte Teile und ziehen Sie lockere Schrauben und Muttern an.
- Entfernen Sie die Batterie. Reinigen Sie das Gerät, laden Sie es und lagern Sie es kühl.
- Wechseln Sie das Motoröl, und entsorgen Sie das Altöl.
- Leeren Sie den Kraftstofftank. Starten Sie den Motor und lassen Sie ihn laufen, bis kein Kraftstoff mehr im Vergaser ist.

Hinweis: Leeren Sie Tank und Vergaser nicht, wenn ein Stabilisator hinzugefügt wurde.

- Entfernen Sie die Zündkerzen, und füllen Sie einen Esslöffel Motoröl in jeden Zylinder. Drehen Sie die Motorwelle von Hand, um das Öl aufzubringen, und setzen Sie die Zündkerzen wieder ein.
- Schmieren Sie alle Schmiernippel, Gelenke/Verbindungen und Achsen.
- Bewahren Sie das Gerät an einem sauberen, trockenen Ort auf und decken Sie es für zusätzlichen Schutz ab.

Περιεχόμενα

| | | | |
|------------------|----|--|----|
| Εισαγωγή..... | 54 | Συντήρηση..... | 61 |
| Ασφάλεια..... | 55 | Αντιμετώπιση προβλημάτων..... | 61 |
| Εγκατάσταση..... | 58 | Μεταφορά, αποθήκευση και απόρριψη..... | 62 |
| Λειτουργία..... | 60 | | |

Εισαγωγή

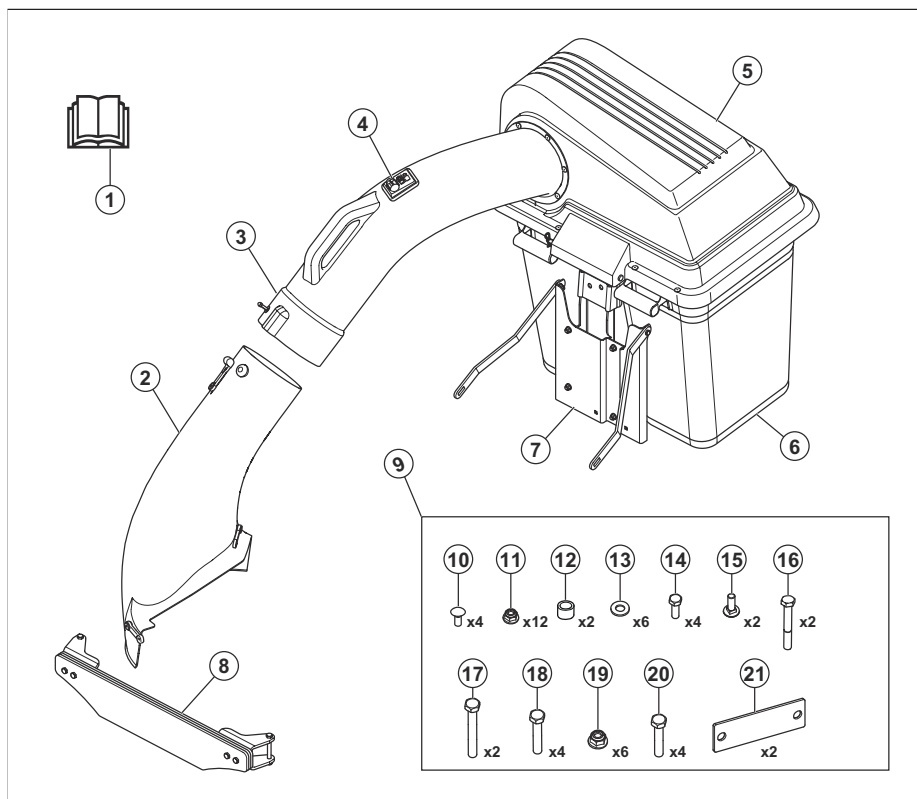
Περιγραφή προϊόντος

Αυτό το προϊόν είναι ένα σύστημα συλλογής χορταριού. Το συλλεγόμενο χορτάρι μπορεί να χρησιμοποιηθεί ως κομπόστ για το γκαζόν ή τα παρτέρια των φυτών ή να απορριφθεί ως απορρίμματα κηπουρικής.

Προβλεπόμενη χρήση

Αυτό το προϊόν έχει κατασκευαστεί για τη συλλογή κομμένου χορταριού κατά τη χλοοκοπή, ώστε το γρασίδι σας να έχει πιο περιποιημένη εμφάνιση. Μην χρησιμοποιείτε το προϊόν για άλλες εργασίες.

Επισκόπηση προϊόντος



1. Εγχειρίδιο χρήσης
2. Πλευρικός σωλήνα εκτόξευσης
3. Σωλήνας συλλογής
4. Δείκτης πληρότητας σάκου
5. Κάλυμμα

6. Τσάντα
7. Στήριγμα συλλέκτη
8. Μπροστινό αντίβαρο
9. Σάκος εξαρτημάτων
10. Καρόβιδα, 5/16-18x3/4

11. Παξιμάδι, 5/16
12. Αποστάτης
13. Ροδέλα
14. Εξαγωνικό μπουλόνι, 5/16-18x1
15. Καρόβιδα, 5/16-18x1-1/4
16. Εξαγωνικό μπουλόνι, 5/16-18x2-1/4
17. Εξαγωνικό μπουλόνι, 3/8-16x3-1/2
18. Εξαγωνικό μπουλόνι, 3/8-16x2-1/2
19. Παξιμάδι, 3/8
20. Εξαγωνικό μπουλόνι, 3/8-16x2-1/4
21. Πλάκα ενίσχυσης

Ζημιά στο προϊόν

Δεν φέρουμε ευθύνη για ζημιές στο προϊόν μας εάν:

- Το προϊόν έχει επισκευαστεί λανθασμένα.
- Το προϊόν έχει επισκευαστεί με εξαρτήματα που δεν προέρχονται από τον κατασκευαστή ή που δεν έχουν εγκριθεί από τον κατασκευαστή.
- Το προϊόν διαθέτει ένα αξεσουάρ που δεν προέρχεται από τον κατασκευαστή ή που δεν έχει εγκριθεί από τον κατασκευαστή.
- Το προϊόν δεν έχει επισκευαστεί σε εγκεκριμένο κέντρο σέρβις ή από εγκεκριμένη αρχή.

Ασφάλεια

Ορισμοί για την ασφάλεια

Για την επισήμανση ειδικών σημαντικών τμημάτων του εγχειριδίου χρησιμοποιούνται προειδοποιήσεις, συστάσεις προσοχής και σημειώσεις.



ΠΡΟΕΙΔΟΠΟΙΗΣΗ:

Χρησιμοποιείται όταν υπάρχει κίνδυνος τραυματισμού ή θανάτου του χειριστή ή άλλων παριστάμενων ατόμων, αν δεν τηρηθούν οι οδηγίες που παρέχονται στο εγχειρίδιο.



ΠΡΟΣΟΧΗ: Χρησιμοποιείται όταν υπάρχει κίνδυνος πρόκλησης ζημιάς στο προϊόν, σε άλλα υλικά ή στον παρακείμενο χώρο, αν δεν τηρηθούν οι οδηγίες που παρέχονται στο εγχειρίδιο.

Περιεχόμενα Χρησιμοποιείται για παροχή περισσότερων πληροφοριών, οι οποίες χρειάζονται σε μια δεδομένη κατάσταση.

Γενικές οδηγίες ασφαλείας



ΠΡΟΕΙΔΟΠΟΙΗΣΗ: Προτού χρησιμοποιήσετε το προϊόν, διαβάστε τις παρακάτω οδηγίες προειδοποίησης



ΠΡΟΕΙΔΟΠΟΙΗΣΗ: Αυτό το προϊόν μπορεί να προκαλέσει ακρωτηριασμό χεριών και ποδιών, καθώς και εκτόξευση αντικειμένων. **ΕΑΝ ΔΕΝ ΑΚΟΛΟΥΘΗΣΕΤΕ ΤΙΣ ΠΑΡΑΚΑΤΩ ΟΔΗΓΙΕΣ ΑΣΦΑΛΕΙΑΣ, ΜΠΟΡΕΙ ΝΑ ΠΡΟΚΛΗΘΕΙ ΣΟΒΑΡΟΣ ΤΡΑΥΜΑΤΙΣΜΟΣ Ή ΘΑΝΑΤΟΣ.**



ΠΡΟΕΙΔΟΠΟΙΗΣΗ: Σε περίπτωση μη τήρησης των πρακτικών ασφαλούς λειτουργίας, μπορεί να προκύψει επικίνδυνος τραυματισμός του

χειριστή ή άλλων ατόμων. Ο ιδιοκτήτης πρέπει να κατανοήσει αυτές τις οδηγίες και να επιτρέψει τον χειρισμό του χλοοκοπτικού μόνο από εγκεκριμένα άτομα που τις έχουν επίσης κατανοήσει. Κάθε άτομο που χρησιμοποιεί το χλοοκοπτικό πρέπει να βρίσκεται σε καλή σωματική και διανοητική κατάσταση και να μην είναι υπό την επίρεια ψυχοτρόπων ουσιών.

- Διαβάστε, κατανοήστε και ακολουθήστε τις οδηγίες και τις προειδοποιήσεις που περιέχονται στο παρόν έγγραφο και στο εγχειρίδιο χειριστή και αναγράφονται στο μηχάνημα, στον κινητήρα και στα εξαρτήματα.
- Το μηχάνημα πρέπει να χρησιμοποιείται μόνο από χειριστές που είναι υπεύθυνοι, εκπαιδευμένοι, γνωρίζουν τις οδηγίες και είναι σωματικά ικανοί να το χειριστούν.
- Φροντίστε να ενημερώσετε κάποιο άτομο ότι θα χρησιμοποιήσετε το προϊόν για την περίπτωση που προκύψει τραυματισμός ή ατύχημα.
- Μην μεταφέρετε επιβάρυνση και φροντίστε οι παρευρισκόμενοι να βρίσκονται σε απόσταση.
- Μην χρησιμοποιείτε το προϊόν υπό την επίρεια αλκοόλ ή φαρμάκων.
- Τηρείτε τις συστάσεις του κατασκευαστή για το βάρος ή τα αντίβαρα των τροχών.
- Μάθετε πώς να χρησιμοποιείτε το προϊόν και τα χειριστήριά του με ασφάλεια και μάθετε να το σταματάτε γρήγορα.
- Μάθετε επίσης να αναγνωρίζετε τα σήματα ασφαλείας.
- Διατηρείτε το προϊόν καθαρό, για να παραμένουν ευανάγνωστα τα σήματα και τα αυτοκόλλητα.
- Πρέπει να θυμάστε ότι ο χειριστής θεωρείται υπεύθυνος για ατυχήματα που μπορεί να προκληθούν σε άλλα άτομα ή στην περιουσία τους.
- Πρέπει να χρησιμοποιείτε το προϊόν μόνο με το φως της ημέρας ή σε συνθήκες καλού φωτισμού. Διατηρείτε το προϊόν σε ασφαλή απόσταση από λακούβες ή άλλες ανωμαλίες του εδάφους. Ελέγχετε για άλλους πιθανούς κινδύνους.

- Μην αφήνετε να χρησιμοποιούν το προϊόν ή να εκτελούν συντήρηση σε αυτό παιδιά ή άλλα πρόσωπα μη εκκλιμένα για χρήση του προϊόντος. Η τοπική νομοθεσία πιθανώς να ορίζει την κατάλληλη ηλικία του χρήστη.
- Βεβαιωθείτε ότι δεν βρίσκεται κανείς άλλος κοντά στο προϊόν όταν εκκινείτε τον κινητήρα, ενεργοποιείτε τη μετάδοση κίνησης ή αρχίζετε να κινείτε το προϊόν.
- Όταν κάνετε χλοοκοπή κοντά σε δρόμο ή κινείστε εγκάρσια σε δρόμο, πρέπει να παρακολουθείτε την κίνηση των οχημάτων.
- Μην χρησιμοποιείτε ποτέ το προϊόν αν είστε κουρασμένος, υπό την επήρεια αλκοόλ ή ναρκωτικών, φαρμάκων ή άλλων ουσιών που μπορεί να επηρεάσουν την όραση, την εγρήγορση, τον συντονισμό ή την κρίση σας.
- Πρέπει πάντα να σταθμεύετε το προϊόν σε οριζόντια επιφάνεια με τον κινητήρα σβηστό.
- Μην τροποποιείτε και μην εγκαθιστάτε μη τυπικό εξοπλισμό στη μονάδα χωρίς τη συγκατάθεση του κατασκευαστή. Τροποποιήσεις στη μονάδα μπορεί να προκαλέσουν μη ασφαλή λειτουργία ή ζημιά στη μονάδα.
- Σύμφωνα με την Αμερικανική Παιδιατρική Ακαδημία, παιδιά ηλικίας κάτω από 16 ετών δεν επιτρέπεται να χειρίζονται ή να ανεβάνουν σε επικαθήμενα χλοοκοπτικά.
- Μην μεταφέρετε ποτέ παιδιά με το μηχανήμα, ακόμη και με τις λεπίδες απενεργοποιημένες. Τα παιδιά μπορεί να πέσουν από το μηχανήμα και να τραυματιστούν σοβαρά ή να εμποδίσουν την ασφαλή λειτουργία του μηχανήματος. Τα παιδιά που έχουν μεταφερθεί στο παρελθόν με το μηχανήμα μπορεί να εμφανιστούν ξαφνικά στην περιοχή χλοοκοπής για να ανεβούν ξανά στο μηχανήμα, με αποτέλεσμα να χτυπηθούν από το προϊόν.

Οδηγίες ασφαλείας για τη λειτουργία



ΠΡΟΕΙΔΟΠΟΙΗΣΗ: Προτού χρησιμοποιήσετε το προϊόν, διαβάστε τις παρακάτω προειδοποιητικές οδηγίες.

- Μην χρησιμοποιείτε το χλοοκοπτικό, εάν ο συλλέκτης δεν είναι πλήρως εγκατεστημένος.
- Μην χρησιμοποιείτε το χλοοκοπτικό με το σύστημα συλλογής, εάν δεν έχουν τοποθετηθεί τα μπροστινά αντίβαρα.
- Βεβαιωθείτε ότι όλα τα κινούμενα μέρη έχουν σταματήσει προτού ανοίξετε το σύστημα συλλογής.
- Βεβαιωθείτε ότι όλα τα κινούμενα μέρη έχουν σταματήσει προτού αφαιρέσετε από το σύστημα συλλογής το χορτάρι που έχει φράξει.
- Απομακρύνετε από την περιοχή αντικείμενα, όπως πέτρες, παιχνίδια, καλώδια κ.λπ., τα οποία μπορεί να πιαστούν στις λεπίδες και να εκτιναχθούν.
- Να επιτρέπεται μόνο σε υπεύθυνους ενήλικες να χειρίζονται το προϊόν.
- Προτού κόψετε το γρασιδί, βεβαιωθείτε ότι δεν υπάρχουν άλλα άτομα ή κατοικίδια ζώα στην περιοχή. Απενεργοποιήστε το προϊόν, αν εμφανιστεί κάποιο άτομο στην περιοχή.
- Μειώστε την ταχύτητα πριν στρίψετε.
- Προτού στρίψετε σε γωνίες, πρέπει να μειώσετε την ταχύτητα.
- Αποσυμπλέξτε τις λεπίδες όταν το προϊόν δεν εκτελεί χλοοκοπή.
- Κλείστε το κάλυμμα του συλλέκτη προτού εκκινήσετε το προϊόν.
- Αποσυμπλέξτε τις λεπίδες του χλοοκοπτικού όταν μετακινείτε το προϊόν από περιοχές όπου τα αντικείμενα που εκτοξεύονται μπορεί να είναι επικίνδυνα.
- Μην προσπαθήσετε να συλλέξετε αντικείμενα που μπορεί να εκτοξευτούν από το σύστημα συλλογής.
- Χρησιμοποιείτε προστασία ματιών όταν χρησιμοποιείτε το προϊόν. Τα αντικείμενα που εκτοξεύονται μπορούν να προκαλέσουν τραυματισμό στα μάτια.

Οδηγίες ασφαλείας σχετικά με τα παιδιά



ΠΡΟΕΙΔΟΠΟΙΗΣΗ: Υπάρχει κίνδυνος σοβαρού τραυματισμού ή θανάτου για τα παιδιά από αυτό το προϊόν. Προτού χρησιμοποιήσετε το προϊόν, διαβάστε τις παρακάτω προειδοποιητικές οδηγίες. Κρατήστε τα παιδιά μακριά.

- Μπορεί να προκληθούν εξαιρετικά σοβαρά ατυχήματα, αν ο χειριστής δεν είναι προσεκτικός όταν υπάρχουν παιδιά κοντά. Το προϊόν και οι εργασίες χλοοκοπής προσελκύουν το ενδιαφέρον των παιδιών. Μη λαμβάνετε ως δεδομένο ότι τα παιδιά θα παραμείνουν στην τελευταία θέση στην οποία τα είδατε.
- Μην αφήνετε να πλησιάσουν παιδιά στην περιοχή χρήσης του μηχανήματος. Τα παιδιά πρέπει να επιβλέπονται από άλλο υπεύθυνο ενήλικο άτομο διαφορετικό από το χειριστή.
- Πρέπει να παρακολουθείτε την περιοχή εργασίας και, εάν εισέλθουν σε αυτήν παιδιά, να διακόπτετε αμέσως τη λειτουργία του προϊόντος. Πρέπει να προσέχετε ιδιαίτερα κοντά σε γωνίες, θάμνους, δέντρα ή άλλα αντικείμενα που εμποδίζουν το οπτικό σας πεδίο.
- Απαιτείται ιδιαίτερη προσοχή όταν προσεγγίζετε τυφλές στροφές, θάμνους, δέντρα ή άλλα αντικείμενα που μπορεί να μειώσουν το οπτικό πεδίο και να μην αντιληφθείτε την παρουσία παιδιών.
- Πριν και ενώ μετακινείτε το προϊόν σε οπισθοπορεία, κοιτάζετε πίσω σας και προς τα κάτω για μικρά παιδιά.
- Μην επιτρέπεται σε παιδιά να χρησιμοποιούν το προϊόν.

- Βεβαιωθείτε ότι οι σάκοι συλλογής είναι άδειοι έπειτα από κάθε χρήση και πριν από την αποθήκευση. Το χορτάρι που παραμένει μέσα στους σάκους συλλογής μπορεί να οδηγήσει σε αυτόματη ανάφλεξη και να προκαλέσει πυρκαγιά.
- Σύμφωνα με τα διαθέσιμα στοιχεία, οι περισσότεροι τραυματισμοί με επικαθήμενα χλοοκοπτικά προκύπτουν σε χειριστές ηλικίας 60 ετών και άνω. Αυτοί οι χειριστές θα πρέπει να αξιολογούν την ικανότητά τους να χειρίζονται με ασφάλεια το επικαθήμενο χλοοκοπτικό, ώστε να προστατεύσουν τον εαυτό τους και άλλα άτομα από τραυματισμούς.

Οδηγίες ασφαλείας πριν από την εγκατάσταση του συστήματος συλλογής



ΠΡΟΕΙΔΟΠΟΙΗΣΗ: Προτού χρησιμοποιήσετε το προϊόν, διαβάστε τις παρακάτω προειδοποιητικές οδηγίες.

- Σταθμεύστε σε επίπεδο έδαφος.
- Ενεργοποιήστε το χειρόφρενο.
- Μετακινήστε τους μοχλούς ελέγχου στη νεκρά.
- Σβήστε τον κινητήρα και αφαιρέστε το κλειδί ανάφλεξης.
- Βεβαιωθείτε ότι όλα τα κινούμενα μέρη έχουν σταματήσει προτού εγκαταστήσετε το σύστημα συλλογής.

Οδηγίες ασφαλείας για λειτουργία σε πρανή



ΠΡΟΕΙΔΟΠΟΙΗΣΗ: Προτού χρησιμοποιήσετε το προϊόν, διαβάστε τις παρακάτω προειδοποιητικές οδηγίες.

Τα πρανή αποτελούν σημαντικό παράγοντα που σχετίζεται με ατυχήματα. Κατά το χειρισμό του μηχανήματος σε πρανή απαιτείται ιδιαίτερη προσοχή.

- Στα πρανή, πρέπει να οδηγείτε προς την κατεύθυνση που συνιστά ο κατασκευαστής. Πρέπει να είστε προσεκτικοί όταν χειρίζεστε το μηχανήμα κοντά σε σημεία με πολύ απότομη κλίση.
- Αποφεύγετε να κόβετε το γρασίδι όταν είναι υγρό. Υπάρχει κίνδυνος απώλειας της πρόσφυσης των ελαστικών.
- Μην χρησιμοποιείτε το μηχανήμα υπό οποιοσδήποτε συνθήκες, όπου η πρόσφυση, η οδήγηση και η ευστάθεια είναι αμφίβολες. Τα ελαστικά μπορεί να γλιστρήσουν ακόμη και αν οι τροχοί είναι ακινητοποιημένοι.
- Κατεβαίνετε τις πλαγιές με συμπλεγμένη ταχύτητα στο μηχανήμα. Μην αφήνετε το μηχανήμα να κυλήσει ελεύθερα σε κατηφόρες.
- Αποφεύγετε τις εκκινήσεις και τα σταματήματα πάνω σε πρανή. Αποφεύγετε να αλλάζετε

απότομα ταχύτητα ή κατεύθυνση. Όταν στριβετε, θα πρέπει να κινείστε αργά και σταδιακά.

- Εάν τα ελαστικά χάσουν την πρόσφυση, αποσμηδέψτε τις λεπίδες και κατεβείτε την πλαγιά αργά και σε ευθεία πορεία.
- Απαιτείται ιδιαίτερη προσοχή όταν το μηχανήμα χρησιμοποιείται με συλλέκτη χόρτου ή άλλα συνδεδεμένα εξαρτήματα. Αυτά μπορεί να επηρεάσουν την ευστάθεια του μηχανήματος.
- Η κοπή γρασιδιού σε πρανή αυξάνει τον κίνδυνο απώλειας ελέγχου και ανατροπής του προϊόντος. Αυτό μπορεί να προκαλέσει τραυματισμό ή θάνατο. Πρέπει να προσέχετε όταν εκτελείτε κοπή γρασιδιού σε πρανή. Αν δεν μπορείτε να κινήσετε το προϊόν προς τα πίσω ανεβαίνοντας ψηλότερα στο πρανές ή δεν βιώθετε ασφαλείς, μην εκτελείτε κοπή εκεί.
- Αφαιρέστε πέτρες, κλαδιά και άλλα εμπόδια.
- Στα πρανή, να κόβετε το χορτάρι με κατεύθυνση προς τα πάνω και προς τα κάτω και όχι από τη μια πλευρά στην άλλη.
- Μην χρησιμοποιείτε το προϊόν σε πρανή με κλίση πάνω από 10°.
- Πρέπει να οδηγείτε πάντα ομαλά και αργά σε πρανή.
- Προσέχετε και μην περνάτε πάνω από αυλάκια, λακκούβες και εξογκώματα στο έδαφος. Όταν το έδαφος δεν είναι επίπεδο, υπάρχει μεγαλύτερος κίνδυνος ανατροπής του προϊόντος. Το μακρύ γρασίδι μπορεί να κρύβει εμπόδια.
- Μην εκτελείτε κοπή γρασιδιού κοντά σε άκρα, χαντάκια ή αναχώματα. Κρατήστε τουλάχιστον το πλάτος του μηχανήματος μακριά από αυτούς τους κινδύνους. Το προϊόν μπορεί να ανατραπεί ξαφνικά, αν ένας τροχός πατήσει πέρα από την άκρη ενός πρανού με μεγάλη κλίση ή αν υποχωρήσει η άκρη ενός χαντακιού.

Οδηγίες ασφαλείας για τη συντήρηση



ΠΡΟΕΙΔΟΠΟΙΗΣΗ: Προτού χρησιμοποιήσετε το προϊόν, διαβάστε τις παρακάτω προειδοποιητικές οδηγίες.



ΠΡΟΕΙΔΟΠΟΙΗΣΗ: Το προϊόν είναι βαρύ και μπορεί να προκαλέσει τραυματισμό, υλικές ζημιές ή ζημιές στην παρακείμενη περιοχή. Μην εκτελείτε εργασίες συντήρησης στον κινητήρα ή στο πλαίσιο κοπής αν δεν ισχύουν οι ακόλουθες προϋποθέσεις:

- Ο κινητήρας είναι σβηστός.
- Το προϊόν είναι σταθμευμένο σε επίπεδη επιφάνεια.
- Το φρένο στάθμευσης είναι ενεργοποιημένο.
- Το κλειδί ανάφλεξης είναι στη θέση διακοπής και έχει αφαιρεθεί.
- Λεπίδες απενεργοποιημένες.

- Όλα τα κινούμενα μέρη έχουν σταματήσει.
- Τα καλώδια ανάφλεξης έχουν αφαιρεθεί από τα μπουζί.

Εάν υπάρχουν, αποσυνδέστε τα καλώδια των μπουζί και το αρνητικό καλώδιο της μπαταρίας προτού εκτελέσετε οποιαδήποτε εργασία επισκευής.



ΠΡΟΕΙΔΟΠΟΙΗΣΗ: Το υγρό που διαρρέει υπό πίεση μπορεί να έχει αρκετή δύναμη ώστε να διεισδύσει στο δέρμα και να προκαλέσει σοβαρό τραυματισμό. Σε περίπτωση έγχυσης υγρού στο δέρμα, ζητήστε αμέσως ιατρική βοήθεια. Μην πλησιάζετε το σώμα και τα χέρια σας στις μικροσκοπικές οπές ή στα ακροφύσια που εκτινάσσουν υγρό με υψηλή πίεση. Σε περίπτωση διαρροής, ζητήστε αμέσως να γίνει σέρβις του μηχανήματος από έναν εκπαιδευμένο τεχνικό.



ΠΡΟΕΙΔΟΠΟΙΗΣΗ: Οι αναθυμιάσεις της εξάτμισης από τον κινητήρα περιέχουν μονοξείδιο του άνθρακα, ένα άοσμο, δηλητηριώδες και ιδιαίτερα επικίνδυνο αέριο. Μην χρησιμοποιείτε το προϊόν σε κλειστούς χώρους ή χώρους με μη επαρκή ροή αέρα.

- Διατηρείτε το προϊόν σε καλή κατάσταση λειτουργίας. Πρέπει να αντικαθιστάτε αμέσως οποιαδήποτε εξαρτήματα έχουν φθαρεί ή υποστεί ζημιά.

Πρέπει να είστε προσεκτικοί κατά την εκτέλεση εργασιών σέρβις στις λεπίδες. Τυλίξτε τις λεπίδες ή φορέστε γάντια. Αντικαταστήστε τις λεπίδες που έχουν υποστεί ζημιά. Μην επισκευάζετε και μην τροποποιείτε τις λεπίδες.

Για καλύτερη απόδοση και μεγαλύτερη ασφάλεια, πρέπει να εκτελείτε τακτικά συντήρηση του προϊόντος σύμφωνα με το πρόγραμμα συντήρησης. Ανατρέξτε στην ενότητα *Πρόγραμμα συντήρησης στη σελίδα 61*.

- Οι ηλεκτροπληξίες μπορεί να προκαλέσουν τραυματισμούς. Μην αγγίζετε τα καλώδια όταν ο κινητήρας βρίσκεται σε λειτουργία. Μην ελέγχετε αν λειτουργεί το σύστημα ανάφλεξης με τα δάχτυλά σας.
- Προτού εκτελέσετε εργασίες συντήρησης κοντά στον κινητήρα, πρέπει να αφήνετε το προϊόν να κρυώσει.
- Οι λεπίδες είναι κοφτερές και μπορεί να προκαλέσουν κοψίματα. Όταν εκτελείτε εργασίες στις λεπίδες, πρέπει να τυλίγετε προστατευτικό υλικό γύρω από αυτές ή να φοράτε προστατευτικά γάντια.
- Μην γυρίζετε ανάποδα τον κινητήρα, εάν έχει αφαιρεθεί το μπουζί ή το καλώδιο ανάφλεξης.
- Βεβαιωθείτε ότι όλα τα παζιμάδια και οι βίδες είναι καλά σφιγμένα και ότι ο εξοπλισμός βρίσκεται σε καλή κατάσταση.
- Μην αλλάζετε τη ρύθμιση των ρυθμιστών ταχύτητας. Αν οι στροφές του κινητήρα είναι πολύ υψηλές, μπορεί να υποστούν ζημιά τα εξαρτήματα του προϊόντος.
- Το μηχάνημα έχει εγκριθεί για χρήση μόνο με τον εξοπλισμό που παρέχεται ή που συνιστάται από τον κατασκευαστή.
- Χρησιμοποιείτε μόνο γνήσια ανταλλακτικά για επισκευές. Η χρήση άλλων ανταλλακτικών ακυρώνει την εγγύηση.

Εγκατάσταση

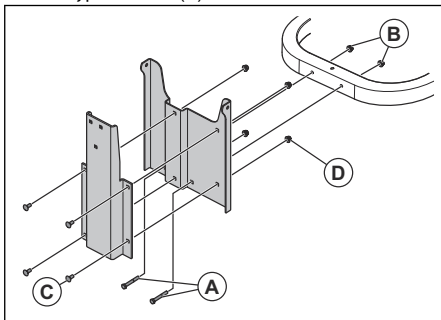
Εισαγωγή



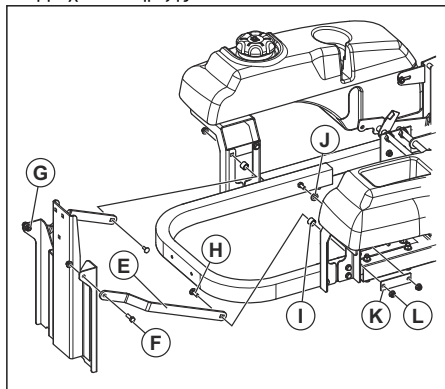
ΠΡΟΕΙΔΟΠΟΙΗΣΗ: Πριν από την εγκατάσταση του προϊόντος, διαβάστε και κατανοήστε το κεφάλαιο για την ασφάλεια.

Τοποθέτηση του στηρίγματος συλλέκτη

1. Τοποθετήστε τον βραχίονα στήριξης στο πλαίσιο με 2 εξαγωνικά μπουλόνια 5/16-18x2-1/4 (A) και 2 παζιμάδια 5/16 (B).



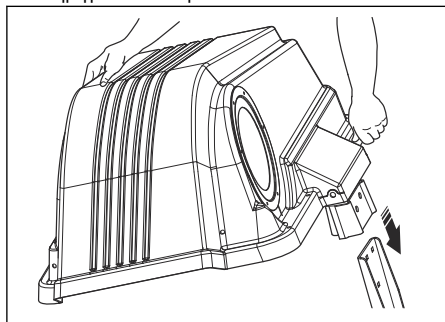
2. Τοποθετήστε τον βραχίονα ανάρτησης στον βραχίονα στήριξης με 4 βίδες 5/16-18x3/4 (C) και 4 παξιμάδια 5/16 (D).
3. Τοποθετήστε τους ιμάντες στήριξης στον βραχίονα στήριξης.



4. Τοποθετήστε τους ιμάντες (E) στον βραχίονα στήριξης με 2 βίδες 5/16-18x1-1/4 (F) και 2 παξιμάδια 5/16 (G).
5. Τοποθετήστε τους ιμάντες στα μπράτσα του ντεπόζιτου με 4 εξαγωνικά μπουλόνια 5/16-18x1 (H), 2 αποστάτες (I), 2 ροδέλες (J), 2 πλάκες ενίσχυσης (K) και 4 παξιμάδια 5/16 (L).

Τοποθέτηση καλύμματος συλλέκτη

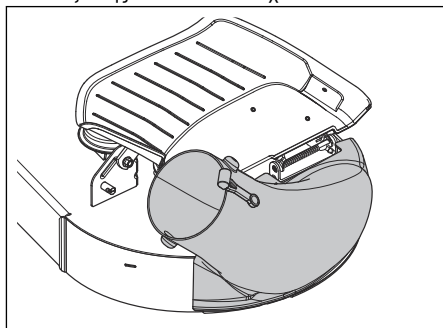
1. Τοποθετήστε το στήριγμα συλλέκτη. Ανατρέξτε στην ενότητα *Τοποθέτηση του στηρίγματος συλλέκτη στη σελίδα 58*.
2. Τοποθετήστε το κάλυμμα του συλλέκτη στο στήριγμα συλλέκτη.



Τοποθέτηση πλευρικού σωλήνα εκτόξευσης

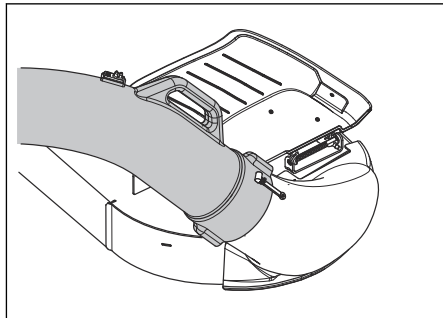
1. Ανασηκώστε το κάλυμμα πλευρικής εξαγωγής.
2. Τοποθετήστε τον πλευρικό σωλήνα εκτόξευσης γύρω από το στήριγμα του καλύμματος.

3. Συνδέστε τα μάνταλα του πλευρικού σωλήνα εκτόξευσης στο πλαίσιο του χλοοκοπτικού.



Τοποθέτηση του σωλήνα συλλογής

1. Τοποθετήστε τον σωλήνα συλλογής στον πλευρικό σωλήνα εκτόξευσης.
2. Στερεώστε τον ιμάντα.

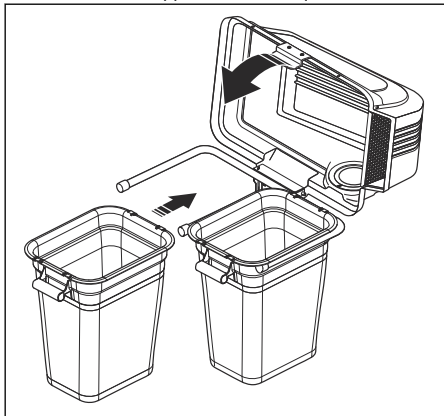


3. Τοποθετήστε τον σωλήνα συλλογής μέσα στο άνοιγμα του καλύμματος του συλλέκτη.

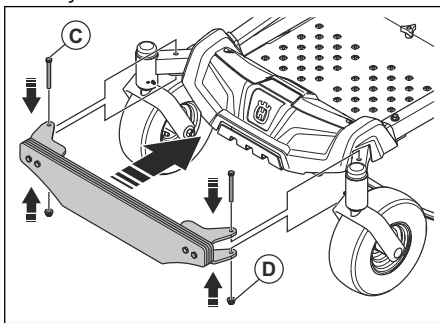
Τοποθέτηση των σάκων

1. Γείρετε το κάλυμμα του συλλέκτη.
2. Τοποθετήστε τους 2 σάκους στο πλαίσιο στήριξης.

3. Κλείστε το κάλυμμα του συλλέκτη.



2. Ευθυγραμμίστε τις σπές στα στηρίγματα με τις σπές στο πλαίσιο.



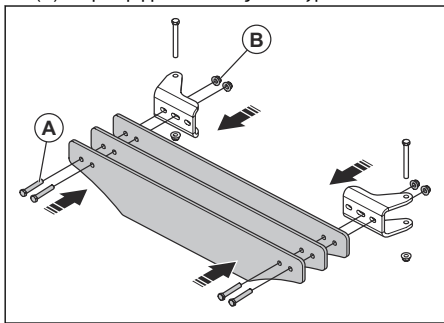
3. Τοποθετήστε τα μπουλόνια 3/8-16x3-1/2 (C) και τα παξιμάδια 3/8 (D).
4. Σφίξτε όλα τα παξιμάδια.

Τοποθέτηση του μπροστινού αντίβαρου



ΠΡΟΕΙΔΟΠΟΙΗΣΗ: Μην χρησιμοποιείτε το σύστημα συλλογής χωρίς μπροστινά αντίβαρα.

1. Τοποθετήστε τις πλάκες των μπροστινών αντίβαρων στα στηρίγματα με 4 εξαγωνικά μπουλόνια 3/8-16x2-1/4 (A) και 4 παξιμάδια 3/8 (B). Μην σφίγγετε εντελώς τα παξιμάδια.



Λειτουργία

Εισαγωγή



ΠΡΟΕΙΔΟΠΟΙΗΣΗ: Πρωτού χρησιμοποιήσετε το προϊόν, πρέπει να διαβάσετε και να κατανοήσετε το κεφάλαιο για την ασφάλεια.

Λειτουργία του προϊόντος

- Τηρείτε τις οδηγίες λειτουργίας που παρέχονται στο εγχειρίδιο χρήσης του χλοοκοπτικού.
- Όταν χρησιμοποιείτε το σύστημα συλλογής, να έχετε τον κινητήρα σε πλήρεις στροφές.

- Μετακινήστε το προϊόν προς τα εμπρός με χαμηλή ταχύτητα για να επιτύχετε ένα καλό αποτέλεσμα κοπής και συλλογής.
- Κόψτε το χορτάρι 2 φορές, εάν το χορτάρι είναι ψηλό και παχύ. Η πρώτη κοπή πρέπει να γίνεται στο υψηλότερο ύψος κοπής και η δεύτερη στο σωστό ύψος.
- Χρησιμοποιήστε την αριστερή πλευρά του χλοοκοπτικού για την κοπή κοντά σε αντικείμενα.
- Μην εκτελείτε κοπή όταν το γρασίδι είναι υγρό. Το υγρό χορτάρι είναι πιο πιθανό να φράξει το σύστημα συλλογής.

- Αδειάστε τους σάκους συλλογής, εάν το σύστημα συλλογής δεν συλλέγει το κομμένο χορτάρι. Αν το πρόβλημα επιμένει όταν οι σάκοι συλλογής είναι άδειοι, βεβαιωθείτε ότι δεν έχει φράξει ο σωλήνας συλλογής.
- Εάν χτυπήσετε κάποιο χαλαρό αντικείμενο, σταματήστε το χλοοκοπτικό και βεβαιωθείτε ότι το σύστημα συλλογής δεν έχει πάθει ζημιά.
- Φροντίστε να μην συστραφεί ο σωλήνας συλλογής.
- Μην σέρνετε τον σωλήνα συλλογής πάνω σε πλευρές κτιρίων ή άλλες σκληρές επιφάνειες.

Συντήρηση

Εισαγωγή



ΠΡΟΕΙΔΟΠΟΙΗΣΗ: Προτού εκτελέσετε οποιαδήποτε εργασία συντήρησης, πρέπει να διαβάσετε και να κατανοήσετε το κεφάλαιο για την ασφάλεια.

X = Οι οδηγίες παρέχονται σε αυτό το εγχειρίδιο χρήσης.

O = Συμβουλευθείτε το εγχειρίδιο κινητήρα για οδηγίες.

Πρόγραμμα συντήρησης για τον χειριστή

Πρόγραμμα συντήρησης

* = Οι οδηγίες δεν παρέχονται σε αυτό το εγχειρίδιο χρήσης.

| Συντήρηση | Καθημερινή συντήρηση | Διάστημα συντήρησης σε ώρες | | |
|--|----------------------|-----------------------------|----|----|
| | Πριν από τη χρήση | 5 | 25 | 50 |
| Ελέγξτε και καθαρίστε τους σάκους συλλογής. | X | X | | |
| Βεβαιωθείτε ότι τα παξιμάδια και οι βίδες είναι σφιγμένα. | X | | | |
| Βεβαιωθείτε ότι ο σωλήνας συλλογής είναι σφιχτά στερεωμένος. | X | | | |
| Καθαρίστε το προϊόν. | | | | X |

Καθαρισμός του προϊόντος

- Χρησιμοποιήστε μια βούρτσα για να αφαιρέσετε το ανεπιθύμητο υλικό και το γρασίδι στο προϊόν.

- Αν χρειάζεται, χρησιμοποιήστε σύστημα πλήσης υψηλής πίεσης και μη δραστικό καθαριστικό μέσο. Μην ξεπερνάτε τα 1000 psi (68,9 bar) πίεσης νερού.

Αντιμετώπιση προβλημάτων

Πρόγραμμα αντιμετώπισης προβλημάτων

απευθυνθείτε στον αντιπρόσωπο σέρβις της Husqvarna.

Αν δεν μπορείτε να βρείτε λύση για το πρόβλημα που αντιμετωπίζετε σε αυτό το εγχειρίδιο χρήσης,

| Πρόβλημα | Αιτία |
|-----------------------|--|
| Απώλεια παροχής αέρα. | Ο σωλήνας συλλογής ή η είσοδος του καλύμματος του συλλέκτη έχουν φράξει. |
| | Το δοχείο είναι γεμάτο. |
| | Το ύψασμα στον συλλέκτη έχει φράξει. |

| Πρόβλημα | Αιτία |
|--|--|
| Ασυνήθιστοι κραδασμοί ή θόρυβος. | Υπάρχει ένα συμπαγές αντικείμενο μέσα στον συλλέκτη. |
| | Χαλαρές ή χαμένες βίδες ή παξιμάδια. |
| Το κάλυμμα του συλλέκτη κλείνει δύσκολα. | Αντικείμενα στον συλλέκτη προκαλούν εμπλοκή του καλύμματος του συλλέκτη. |
| | Οι βίδες του μεντεσέ του καλύμματος του συλλέκτη είναι πολύ σφιχτές. |

Μεταφορά, αποθήκευση και απόρριψη

Μεταφορά

- Μην ρυμουλκείτε το προϊόν.
- Το προϊόν είναι βαρύ και μπορεί να προκαλέσει τραυματισμούς λόγω σύνθλιψης. Πρέπει να προσέχετε όταν το φορτώνετε ή το ξεφορτώνετε από κάποιο όχημα ή ρυμουλκούμενο.
- Φορτώστε το μηχάνημα με την όπισθεν σε εγκεκριμένες ράμπες με μέγιστη γωνία λειτουργίας 10°. Μην ανυψώνετε το προϊόν.
- Πρέπει να χρησιμοποιείτε εγκεκριμένο ρυμουλκούμενο όχημα για τη μεταφορά του προϊόντος.
- Βεβαιωθείτε ότι γνωρίζετε τους τοπικούς κανονισμούς οδικής κυκλοφορίας προτού μεταφέρετε το προϊόν με ρυμουλκούμενο ή οδηγώντας σε δρόμο.
- Ασφαλίστε το μηχάνημα με εγκεκριμένες διατάξεις, όπως ιμάντες. Χρησιμοποιήστε σημεία πρόσδεσης στο προϊόν ή σε κατάλληλες περιοχές του πλαισίου. Το φρένο στάθμευσης δεν επαρκεί για την ασφάλιση του μηχανήματος κατά τη μεταφορά.

Αποθήκευση

Προετοιμάστε το προϊόν για αποθήκευση στο τέλος της σεζόν, καθώς και όταν δεν πρόκειται να το χρησιμοποιήσετε για περισσότερες από 30 ημέρες. Αν κρατήσετε καύσιμο στο ρεζερβουάρ καυσίμου για περισσότερο από 30 ημέρες, τα κολλώδη σωματίδια μπορεί να προκαλέσουν μπλοκάρισμα του καρμπυρατέρ. Αυτό θα έχει αρνητικές συνέπειες για τη λειτουργία του κινητήρα.

Για να μην σχηματίζονται κολλώδη σωματίδια κατά τη διάρκεια της αποθήκευσης, προσθέστε σταθεροποιητή καυσίμου. Αν χρησιμοποιείτε αλκυλιωμένη βενζίνη, δεν απαιτείται σταθεροποιητής καυσίμου. Αν χρησιμοποιείτε τυπική βενζίνη, μην αλλάξετε σε αλκυλιωμένη. Αυτό μπορεί να σκληρύνει τα ευαίσθητα ελαστικά μέρη. Προσθέστε το σταθεροποιητή στο καύσιμο που βρίσκεται μέσα στο νεπεόζιτο ή στο δοχείο φύλαξης. Πρέπει πάντα να χρησιμοποιείτε τις αναλογίες ανάμιξης που ορίζονται από τον κατασκευαστή. Προσθέστε τον σταθεροποιητή και αφήστε τον κινητήρα να

λειτουργήσει για τουλάχιστον 10 λεπτά, μέχρι το καύσιμο να ρέει στο καρμπυρατέρ.



ΠΡΟΕΙΔΟΠΟΙΗΣΗ: Μην κρατάτε το προϊόν με καύσιμο στο ρεζερβουάρ σε εσωτερικούς χώρους ή σε χώρους με κακό αερισμό. Υπάρχει κίνδυνος πυρκαγιάς αν οι αναθυμιάσεις καυσίμου βρεθούν κοντά σε ανοιχτές φλόγες, σπινθήρες και ενδεικτικές λυχνίες, όπως αυτές που υπάρχουν σε καυστήρες, νεπεόζιτα νερού και στεγνωτήρια ρούχων.



ΠΡΟΕΙΔΟΠΟΙΗΣΗ:

Απομακρύνετε το γρασίδι, τα φύλλα και άλλα εύφλεκτα υλικά από το προϊόν για να μειώσετε τον κίνδυνο πυρκαγιάς. Πρέπει να αφήσετε το προϊόν να κρυώσει προτού το τοποθετήσετε στο χώρο αποθήκευσης.

- Καθαρίστε το προϊόν, ανατρέξτε στην ενότητα *Καθαρισμός του προϊόντος στη σελίδα 61*.
- Αφαιρέστε τα ανεπιθύμητα υλικά από τον ανεμιστήρα ψύξης.
- Επισκευάστε τυχόν ζημιές στη βαφή, για να εμποδίσετε τη διάβρωση.
- Ελέγξτε το μηχάνημα για τυχόν φθαμένα ή κατεστραμμένα εξαρτήματα και σφίξτε τις βίδες και τα παξιμάδια που έχουν χαλαρώσει.
- Αφαιρέστε την μπαταρία. Καθαρίστε την, φορτίστε την και αποθηκεύστε την σε δροσερό χώρο.
- Αντικαταστήστε το λάδι του κινητήρα και απορρίψτε τα απόβλητα λαδιού.
- Αδειάστε το νεπεόζιτο καυσίμου. Εκκινήστε τον κινητήρα και αφήστε τον να λειτουργήσει μέχρι να μην απομείνει καύσιμο στο καρμπυρατέρ.

Περιεχόμενα Μην αδειάζετε το νεπεόζιτο καυσίμου και το καρμπυρατέρ, αν έχει προστεθεί σταθεροποιητής.

- Αφαιρέστε τα μπουζί και ρίξτε περίπου ένα κουταλάκι του γλυκού λάδι κινητήρα μέσα σε κάθε κύλινδρο. Περιστρέψτε με το χέρι τον άξονα του κινητήρα για να απλωθεί το λάδι και τοποθετήστε ξανά τα μπουζί.
- Λιπάνετε όλους τους γρασαδόρους, τις αρθρώσεις και τους άξονες.
- Φυλάξτε το προϊόν σε καθαρό και ξηρό χώρο και βάλτε πάνω του ένα κάλυμμα για επιπλέον προστασία.

Contenido

| | | | |
|---------------------|----|---|----|
| Introducción..... | 64 | Mantenimiento..... | 70 |
| Seguridad..... | 65 | Resolución de problemas..... | 71 |
| Instalación..... | 68 | Transporte, almacenamiento y eliminación..... | 71 |
| Funcionamiento..... | 70 | | |

Introducción

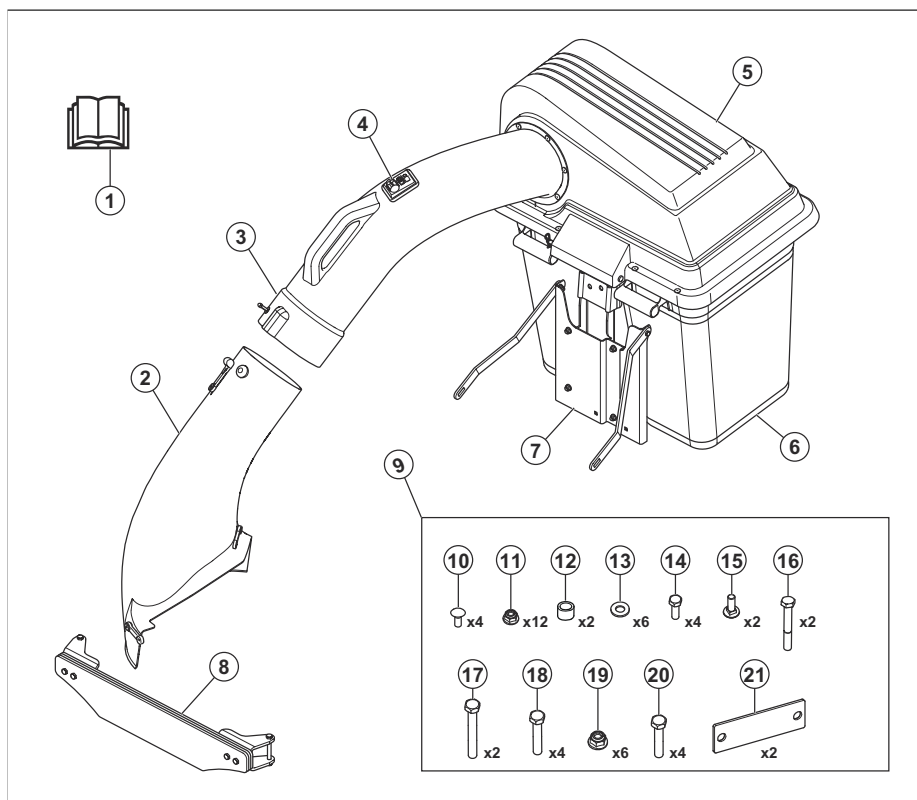
Descripción del producto

Este producto es un sistema de recogida de hierba. La hierba recogida se puede utilizar como abono para el césped o los parterres, o desecharse como restos del jardín.

Uso previsto

Este producto está diseñado para recoger los recortes de hierba durante el corte para darle al césped un aspecto cuidado. No utilice el producto para otras tareas.

Descripción del producto



1. Manual de usuario
2. Conducto de descarga lateral
3. Conducto recogedor
4. Indicador de bolsa llena
5. Cubierta
6. Bolsa

7. Soporte del recogedor
8. Contrapeso delantero
9. Bolsa de tornillería
10. Perno de carro, 5/16-18x3/4
11. Tuerca, 5/16"
12. Separador

13. Arandela
14. Perno hexagonal, 5/16-18x1
15. Perno de carro, 5/16-18x1-1/4
16. Perno hexagonal, 5/16-18x2-1/4
17. Perno hexagonal, 3/8-16x3-1/2
18. Perno hexagonal, 3/8-16x2-1/2
19. Tuerca, 3/8"
20. Perno hexagonal, 3/8-16x2-1/4
21. Placa de refuerzo

- El producto se ha reparado incorrectamente.
- El producto se ha reparado con piezas que no eran del fabricante o no autorizadas por el fabricante.
- El producto tiene un accesorio que no es del fabricante o no está autorizado por este.
- El producto no se ha reparado en un centro de servicio autorizado o por un organismo homologado.

Daños en el producto

No nos hacemos responsables de los daños que pueda sufrir el producto si:

Seguridad

Definiciones de seguridad

Las advertencias, precauciones y notas se utilizan para destacar información especialmente importante del manual.



ADVERTENCIA: Indica un riesgo de lesiones o incluso de muerte del usuario o de las personas cercanas si no se respetan las instrucciones del manual.



PRECAUCIÓN: Indica un riesgo de daños en el producto, otros materiales o el área adyacente si no se respetan las instrucciones del manual.

Nota: Se usa para proporcionar más información necesaria en una situación determinada.

Instrucciones generales de seguridad



ADVERTENCIA: Lea las siguientes instrucciones de advertencia antes de utilizar el producto.



ADVERTENCIA: Este producto puede provocar la amputación de manos o pies y despedir objetos. Si no se cumplen las instrucciones de seguridad siguientes se pueden producir heridas graves o la muerte.



ADVERTENCIA: No atender a estas prácticas de funcionamiento seguro puede provocar lesiones graves al usuario y a otras personas. El propietario debe entender estas instrucciones y no debe permitir que

utilicen el cortacésped personas sin autorización o conocimiento de dichas instrucciones. Toda persona que utilice el cortacésped debe estar en pleno uso de sus facultades mentales y físicas y no debe encontrarse bajo los efectos de ninguna sustancia psicoactiva.

- Lea, comprenda y siga las instrucciones y advertencias de este documento, del manual de usuario y de la máquina, el motor y los accesorios.
- Solo deben usar la máquina usuarios responsables que tengan capacidad física para hacerlo y que estén formados y familiarizados con las instrucciones.
- Asegúrese de informar a alguien que va a utilizar el producto por si se produjera una lesión o un accidente.
- No transporte pasajeros y mantenga alejadas a las personas que se encuentren en las inmediaciones.
- No utilice el producto bajo los efectos del alcohol o las drogas.
- Siga las recomendaciones del fabricante en cuanto a los pesos de las ruedas o los contrapesos.
- Aprenda a utilizar el producto y sus controles de forma segura, y a detener el producto con rapidez.
- Aprenda a reconocer las etiquetas de seguridad.
- Mantenga el producto limpio para asegurarse de que puede leer claramente los símbolos y las pegatinas.
- Tenga en cuenta que el usuario será el responsable de los accidentes que involucren a otras personas o a su propiedad.
- Utilice el producto únicamente a la luz del día o en áreas con buena iluminación. No se acerque con el producto a socavones o a cualquier otra irregularidad del terreno. Esté atento a otros posibles riesgos.

- No deje que los niños u otras personas no autorizadas utilicen el producto ni realicen su mantenimiento. Es posible que la legislación local regule la edad mínima de los usuarios.
- Asegúrese de que no haya nadie en las proximidades del producto cuando arranque el motor, accione la transmisión o comience a desplazar el producto.
- Preste atención al tráfico cuando esté cortando cerca de una carretera o la cruce.
- No utilice el producto si está cansado, si ha ingerido alcohol o drogas, o si toma medicamentos o cualquier otra sustancia que puedan afectar a la vista, su capacidad de discernimiento o el control del cuerpo.
- Estacione siempre el producto en una superficie nivelada con el motor apagado.
- No modifique la unidad o instale en ella equipos no estándar sin el consentimiento del fabricante. Las modificaciones en la unidad pueden dañarla o hacer que su funcionamiento no sea seguro.

Instrucciones de seguridad relativas a los niños



ADVERTENCIA: Este producto puede causar lesiones graves o incluso mortales a los niños. Lea las siguientes instrucciones de advertencia antes de utilizar el producto. Mantenga a los niños apartados.

- Se pueden producir accidentes trágicos si el operador no se mantiene alerta ante la presencia de niños. El producto y la actividad de cortar el césped suelen atraer a los niños. Nunca dé por sentado que los niños permanecerán en el lugar donde los vio por última vez.
- Mantenga a los niños fuera de la zona de corte y bajo la supervisión de un adulto responsable que no sea el usuario del producto.
- Preste atención y detenga el producto inmediatamente si un niño entra en la zona de trabajo. Tenga mucho cuidado cuando se acerque a esquinas, arbustos, árboles u otros objetos que podrían bloquear su buena visibilidad.
- Extrema la precaución al acercarse a esquinas con poca visibilidad, arbustos, árboles u otros objetos que puedan ocultar a un niño.
- Antes de desplazarse con el producto marcha atrás, mire hacia atrás y hacia abajo para asegurarse de que no hay niños pequeños. No deje de mirar mientras dure la maniobra en marcha atrás.
- No deje que los niños manejen el producto.
- La Asociación Americana de Pediatría recomienda una edad mínima de 16 años para poder utilizar un cortacésped con asiento.
- No transporte nunca niños, ni siquiera con las cuchillas apagadas. Los niños podrían caerse

y sufrir lesiones graves o interferir en el funcionamiento seguro de la máquina. Puede que los niños que se hayan montado en la máquina en algún momento aparezcan de repente en la zona de corte para volver a montarse y corren el riesgo de ser atropellados o empujados por el producto.

Instrucciones de seguridad para el uso



ADVERTENCIA: Lea las siguientes instrucciones de advertencia antes de utilizar el producto.

- No utilice el cortacésped si el recogedor no está completamente instalado.
- No utilice el cortacésped con el sistema de recogida si no ha instalado el contrapeso delantero.
- Asegúrese de que todas las piezas móviles se hayan detenido antes de abrir el sistema de recogida.
- Asegúrese de que todas las piezas móviles se hayan detenido antes de retirar la hierba que obstruya el sistema de recogida.
- Limpie la zona de objetos tales como piedras, juguetes, cables, etc., que se podrían quedar atrapados en las cuchillas y salir despedidos.
- Solo deben manejar el producto personas adultas responsables.
- Asegúrese de que no haya otras personas ni mascotas en la zona antes de cortar el césped. Detenga el producto si alguien entra en esa zona.
- Reduzca la velocidad antes de girar.
- Reduzca la velocidad antes de doblar una esquina.
- Desacople las cuchillas cuando el producto no esté cortando el césped.
- Cierre la cubierta del recogedor antes de utilizar el producto.
- Por seguridad, desacople las cuchillas del cortacésped cuando se desplace por zonas en las que puedan salir objetos despedidos.
- No intente recoger objetos que puedan salir despedidos del sistema de recogida.
- Use siempre protección ocular cuando utilice el producto. Los objetos que salen despedidos pueden provocar lesiones oculares.
- Asegúrese de que las bolsas de recogida estén vacías después de cada uso y antes de guardarlas. La hierba que quede en las bolsas de recogida puede provocar una combustión espontánea y causar un incendio.
- Las estadísticas ponen de manifiesto que los usuarios de 60 o más años tienen más probabilidades de resultar heridos al utilizar cortacéspedes con asiento. Estos usuarios deben valorar su capacidad para utilizar el

cortacésped de forma suficientemente segura a fin de evitar daños graves a sí mismos y a terceros.

Instrucciones de seguridad antes de instalar el sistema de recogida



ADVERTENCIA: Lea las siguientes instrucciones de advertencia antes de utilizar el producto.

- Estacione en una superficie nivelada.
- Accione el freno de estacionamiento.
- Coloque las palancas de control en la posición neutra.
- Detenga el motor y quite la llave de contacto.
- Asegúrese de que todas las piezas móviles se hayan detenido antes de instalar el sistema de recogida.

Instrucciones de seguridad para el funcionamiento en pendientes



ADVERTENCIA: Lea las siguientes instrucciones de advertencia antes de utilizar el producto.

Las pendientes son un factor importante en lo que a los accidentes respecta. Es necesario extremar las precauciones al trabajar en pendientes.

- En pendientes, desplácese en el sentido recomendado por el fabricante. Proceda con precaución al trabajar en las inmediaciones de caídas de nivel.
- Evite cortar el césped cuando esté mojado. Los neumáticos pueden perder tracción.
- No utilice la máquina en ninguna situación en la que la tracción, la dirección o la estabilidad puedan verse comprometidas. Los neumáticos podrían patinar incluso cuando las ruedas estén paradas.
- Cuando baje por pendientes, mantenga la máquina con una marcha puesta. No deje caer la máquina cuesta abajo en punto muerto.
- Evite arrancar y detenerse en las pendientes. Evite los cambios súbitos de velocidad o dirección. Gire de manera lenta y gradual.
- Si los neumáticos pierden tracción, desacople las cuchillas y baje la pendiente despacio y en línea recta.
- Proceda con especial precaución cuando utilice la máquina con un recogedor de césped u otros accesorios. Estos pueden afectar a la estabilidad de la máquina.
- Cortar el césped en pendientes aumenta el riesgo de perder el control del producto y que este vuelque, lo que puede provocar lesiones graves o la muerte. Es necesario cortar el césped con cuidado en todas las pendientes. Si no puede dar marcha atrás en una pendiente

o si no se siente seguro en ella, no utilice la máquina.

- Quite piedras, ramas y otros obstáculos.
- Corte la hierba de arriba abajo y no de lado a lado en pendientes.
- No utilice el producto en pendientes de más de 10°.
- En pendientes, desplácese con suavidad y lentamente.
- Tenga cuidado, no se mueva a través de surcos, agujeros y baches, ya que existe un alto riesgo de que el producto se vuelque sobre una superficie que no es plana. El césped crecido puede esconder obstáculos.
- No corte el césped cerca de bordes, zanjas o terraplenes. Manténgase a una distancia equivalente al menos a la anchura de la máquina de estos peligros. El producto puede volcar repentinamente si alguna de las ruedas pasa por el borde de una fuerte pendiente o una zanja, o si falta un trozo de bordillo.

Instrucciones de seguridad para el mantenimiento



ADVERTENCIA: Lea las siguientes instrucciones de advertencia antes de utilizar el producto.



ADVERTENCIA: El producto es pesado y puede ocasionar lesiones o daños materiales o en las inmediaciones. No realice tareas de mantenimiento en el motor ni el equipo de corte si no se cumplen estas condiciones:

- El motor está apagado.
- El producto está estacionado en una superficie nivelada.
- El freno de estacionamiento está accionado.
- La llave de encendido está en la posición de parada y se ha retirado.
- Las cuchillas no están acopladas.
- Todas las piezas móviles se han detenido.
- Los cables de encendido se han desconectado de las bujías.



ADVERTENCIA: Si sale líquido a presión, puede tener la fuerza suficiente como para penetrar en la piel y provocar daños graves. Si se le inyectase líquido en la piel, busque ayuda médica de inmediato. Mantenga alejados el cuerpo y las manos de orificios o boquillas por donde pudiera salir líquido a alta presión. En caso de fugas, acuda a

un técnico cualificado para que revise inmediatamente el producto.



ADVERTENCIA: Los gases de escape del motor contienen monóxido de carbono, que es un gas inodoro, tóxico y muy peligroso. No ponga en marcha el producto en espacios cerrados o mal ventilados.

- Mantenga el producto en perfectas condiciones de uso. Sustituya las piezas desgastadas o deterioradas.

Proceda con precaución durante el mantenimiento de las cuchillas. Envuelva las cuchillas o utilice guantes. Sustituya las cuchillas si están dañadas. No repare las cuchillas ni efectúe modificaciones en ellas.

Si están instalados, desconecte los cables de las bujías y el cable negativo de la batería antes de realizar cualquier reparación.

Para lograr un mejor rendimiento y seguridad, realice el mantenimiento del producto periódicamente según lo establecido en el programa de mantenimiento. Consulte *Programa de mantenimiento en la página 70*.

- Las descargas eléctricas pueden causar lesiones. No toque los cables cuando el motor esté encendido. No realice una prueba de funcionamiento del sistema de encendido con los dedos.
- Deje que el producto se enfríe antes de llevar a cabo cualquier tarea de mantenimiento cerca del motor.
- Las cuchillas están afiladas y pueden provocar cortes. Cuando trabaje en las cuchillas, use una protección contra el viento alrededor de las mismas o lleve guantes protectores.
- No intente arrancar el motor si se ha desconectado la bujía o el cable de encendido.
- Asegúrese de que todas las tuercas y pernos estén apretados correctamente y que el equipo esté en buen estado.
- No cambie el ajuste de los reguladores. Si el régimen del motor es demasiado alto, los componentes del producto pueden dañarse.
- El producto está homologado con el equipo original proporcionado o recomendado por el fabricante.
- Utilice solo piezas originales para las reparaciones. Si se utilizan otras piezas, la garantía dejará de ser válida.

Instalación

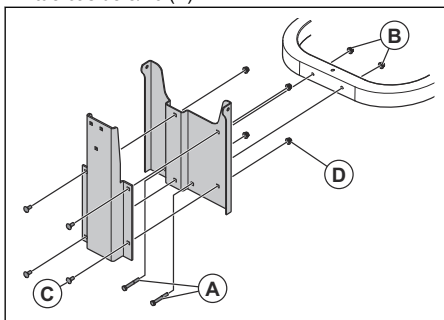
Introducción



ADVERTENCIA: Asegúrese de leer y comprender el capítulo sobre seguridad antes de instalar el producto.

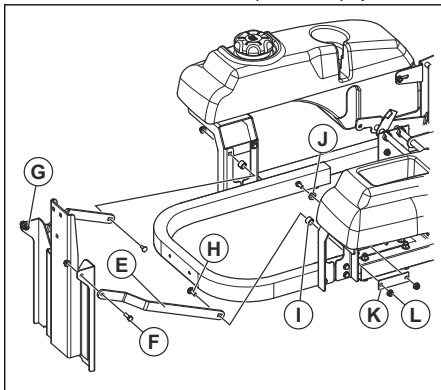
Instalación del soporte del recogedor

1. Instale el soporte de apoyo en el bastidor con 2 pernos hexagonales de 5/16-18x2-1/4 (A) y 2 tuercas de 5/16 (B).



2. Instale el colgador sobre el soporte de apoyo con 4 pernos de carro de 5/16-18x3/4 (C) y 4 tuercas de 5/16 (D).

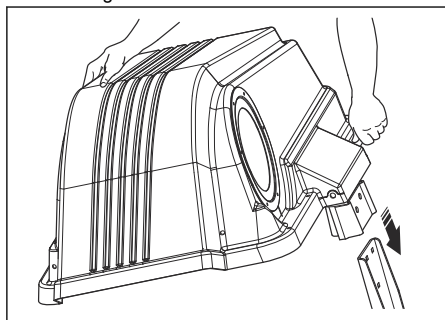
3. Instale los tirantes en el soporte de apoyo.



4. Coloque los tirantes (E) en el soporte de apoyo con 2 pernos de carro de 5/16-18x1-1/4 (F) y 2 tuercas de 5/16 (G).
5. Instale los tirantes en los soportes del depósito con 4 pernos hexagonales de 5/16-18x1 (H), 2 separadores (I), 2 arandelas (J), 2 placas de refuerzo (K) y 4 tuercas de 5/16 (L).

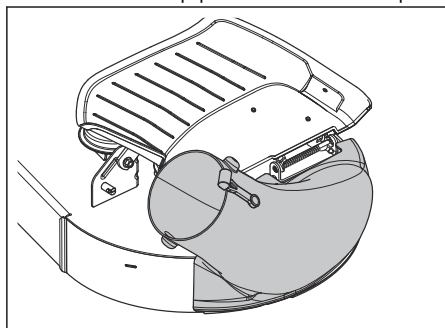
Instalación de la cubierta del recogedor

1. Instale el soporte del recogedor. Consulte *Instalación del soporte del recogedor en la página 68*.
2. Coloque la cubierta del recogedor en el soporte del recogedor.



Instalación del conducto de descarga lateral

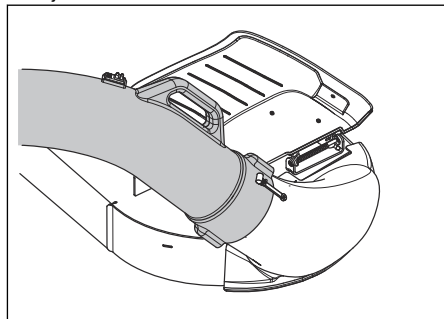
1. Levante la cubierta de descarga lateral.
2. Coloque el conducto de descarga lateral alrededor del soporte de la cubierta.
3. Cierre los pestillos del conducto de descarga lateral sobre el equipo de corte del cortacésped.



Instalación del conducto recogedor

1. Coloque el conducto recogedor sobre el conducto de descarga lateral.

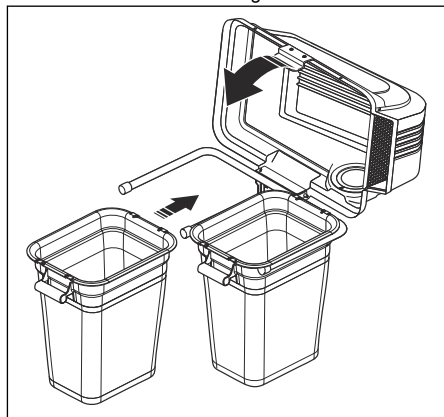
2. Fije el tirante.



3. Coloque el conducto recogedor en la abertura de la cubierta del recogedor.

Instalación de las bolsas

1. Abra la cubierta del recogedor.
2. Coloque las 2 bolsas en el bastidor.
3. Cierre la cubierta del recogedor.

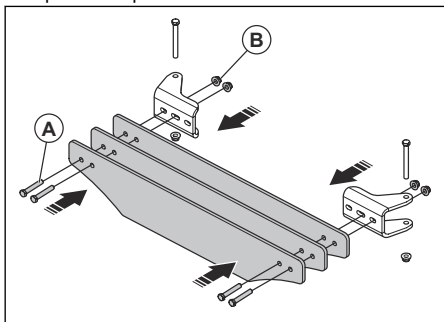


Instalación del contrapeso delantero

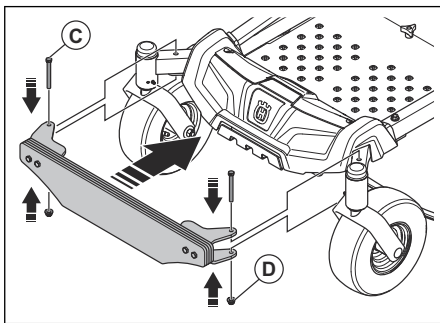


ADVERTENCIA: No utilice el sistema de recogida sin el contrapeso delantero.

1. Instale las placas del contrapeso delantero en sus soportes con 4 pernos hexagonales de 3/8-16x2-1/4 (A) y 4 tuercas de 3/8 (B). No apriete completamente las tuercas.



2. Alinee los orificios de los soportes con los orificios del bastidor.



3. Instale los pernos de 3/8-16x3-1/2 (C) y las tuercas de 3/8 (D).
4. Apriete todas las tuercas.

Funcionamiento

Introducción



ADVERTENCIA: Antes de utilizar el producto, debe leer y entender el capítulo sobre seguridad.

Manejo del producto

- Siga las instrucciones del manual de usuario del cortacésped.
- Haga funcionar el motor a máxima velocidad cuando utilice el sistema de recogida.
- Desplace el producto hacia delante a baja velocidad para obtener un buen resultado de recogida.
- Si la hierba es alta y espesa, córtela en 2 veces. El primer corte debe realizarse a la altura de corte más alta y el segundo a la altura correcta.

- Utilice el lado izquierdo del cortacésped para cortar cerca de objetos.
- No corte el césped si está húmedo. Hay más posibilidades de que la hierba húmeda obstruya el sistema de recogida.
- Si el sistema de recogida no recoge la hierba cortada, vacíe las bolsas de recogida. Si el problema persiste tras vaciar las bolsas, asegúrese de que el conducto recogedor no esté obstruido.
- Si golpea algún objeto suelto, detenga el cortacésped y asegúrese de que el sistema de recogida no ha resultado dañado.
- Evite que el conducto recogedor se retuerza.
- Evite arrastrar los tubos sobre paredes de edificaciones u otras superficies duras.

Mantenimiento

Introducción



ADVERTENCIA: Antes de realizar cualquier trabajo de mantenimiento, debe leer y entender el capítulo sobre seguridad.

Programa de mantenimiento

* = Estas instrucciones no se indican en este manual de usuario.

X = Estas instrucciones se indican en este manual de usuario.

O = Consulte las instrucciones en el manual del motor.

Programa de mantenimiento para el operador

| Mantenimiento | Mantenimiento diario | Intervalo de mantenimiento en horas | | |
|--|----------------------|-------------------------------------|----|----|
| | Antes del uso | 5 | 25 | 50 |
| Revise y limpie las bolsas de recogida. | X | X | | |
| Asegúrese de que las tuercas y los tornillos están bien apretados. | X | | | |
| Asegúrese de que el conducto recogedor esté bien fijado. | X | | | |
| Limpie el producto. | | | | X |

Limpieza del producto

- Utilice un cepillo para retirar el material no deseado y la hierba del producto.
- Si es necesario, use un equipo de limpieza a alta presión y un producto de limpieza suave. No utilice una presión del agua superior a los 68,9 bar (1000 psi) cuando realice la limpieza.

Resolución de problemas

Programa de resolución de problemas

Si no puede encontrar una solución a sus problemas en este manual de usuario, hable con su taller de servicio de Husqvarna.

| Problema | Causa |
|--|---|
| Pérdida de flujo de aire. | El conducto recogedor o la entrada de la cubierta del recogedor están obstruidos. |
| | El contenedor está lleno. |
| | La tela del recogedor está obstruida. |
| Vibraciones o ruido anormales. | Hay un objeto sólido en el recogedor. |
| | Faltan tornillos o tuercas, o están flojos. |
| Es difícil cerrar la cubierta del recogedor. | Hay objetos en el recogedor que bloquean la cubierta. |
| | Los tornillos de la bisagra de la cubierta del recogedor están demasiado apretados. |

Transporte, almacenamiento y eliminación

Transporte

- No remolque el producto.
- El producto es pesado y puede causar lesiones por aplastamiento. Tenga cuidado al cargarlo o descargarlo de un vehículo o remolque.
- Cargue el producto en marcha atrás sobre rampas homologadas con un ángulo de inclinación máximo de 10°. No levante el producto.
- Utilice solo un remolque homologado para el transporte del producto.
- Asegúrese de que conoce las normas de tráfico locales antes de transportar el producto en un remolque o circular por carretera.
- Fije el producto con dispositivos homologados, como correas. Utilice los puntos de amarre

del producto o las zonas correspondientes del bastidor. El freno de estacionamiento no es suficiente para bloquear el producto durante el transporte.

Almacenamiento

Prepare el producto para guardarlo al final de la temporada, y si va almacenarlo durante más de 30 días. Si deja combustible en el depósito durante 30 días o más, las partículas pegajosas pueden atascar el carburador. Esto tendrá un efecto negativo en el funcionamiento del motor.

Para evitar la aparición de partículas pegajosas durante el almacenamiento, agregue un estabilizador. Si utiliza gasolina a base de alquilatos, no es necesario usar un estabilizador. Si utiliza gasolina estándar, no cambie a gasolina con alquilato. Esto puede provocar que las piezas de goma sensibles se vuelvan duras. Añada un estabilizador al depósito o recipiente donde se almacena el combustible. Utilice siempre las proporciones de mezcla especificadas por el fabricante. Añada el estabilizador y haga funcionar el motor durante un mínimo de 10 minutos hasta que el combustible fluya hacia el carburador.



ADVERTENCIA: No guarde el producto con combustible en el depósito en interiores o en lugares con una mala ventilación. Existe peligro de incendio si los vapores del combustible entran en contacto con llamas desnudas, chispas o luces piloto, por ejemplo, de calderas de calefacción, depósitos de agua caliente y secadoras de ropa.



ADVERTENCIA: Retire la hierba, las hojas y otros materiales inflamables del producto para disminuir el riesgo de incendio. Deje que el producto se enfríe antes de volver a colocarlo en su lugar de almacenamiento.

- Limpie el producto; consulte *Limpieza del producto en la página 71*.
- Retire los materiales no deseados del ventilador de refrigeración.
- Repare los daños en la pintura para evitar la corrosión.
- Examine el producto por si hubiera piezas dañadas o desgastadas, y apriete las tuercas y tornillos flojos.
- Desmonte la batería. Límpiela, cárguela y manténgala en un lugar fresco durante el almacenamiento.
- Cambie el aceite del motor y deseche el aceite usado.
- Vacíe el depósito de combustible. Arranque el motor y déjelo funcionar hasta que no haya restos de combustible en el carburador.

Nota: No vacíe el depósito de combustible ni el carburador si se ha añadido un estabilizador.

- Quite los tapones e introduzca aproximadamente una cucharada de aceite de motor en cada cilindro. Gire manualmente el eje del motor para distribuir el aceite y vuelva a colocar los tapones.
- Lubrique todas las boquillas de engrase, las juntas y los ejes.
- Guarde el producto en una zona limpia y seca, y cúbralo para mayor protección.

Sisukord

| | | | |
|-------------------|----|--|----|
| Sissejuhatus..... | 73 | Hooldamine..... | 79 |
| Ohutus..... | 74 | Veaotsing..... | 79 |
| Installimine..... | 77 | Transportimine, hoiupepanek ja utiliseerimine..... | 80 |
| Töö..... | 78 | | |

Sissejuhatus

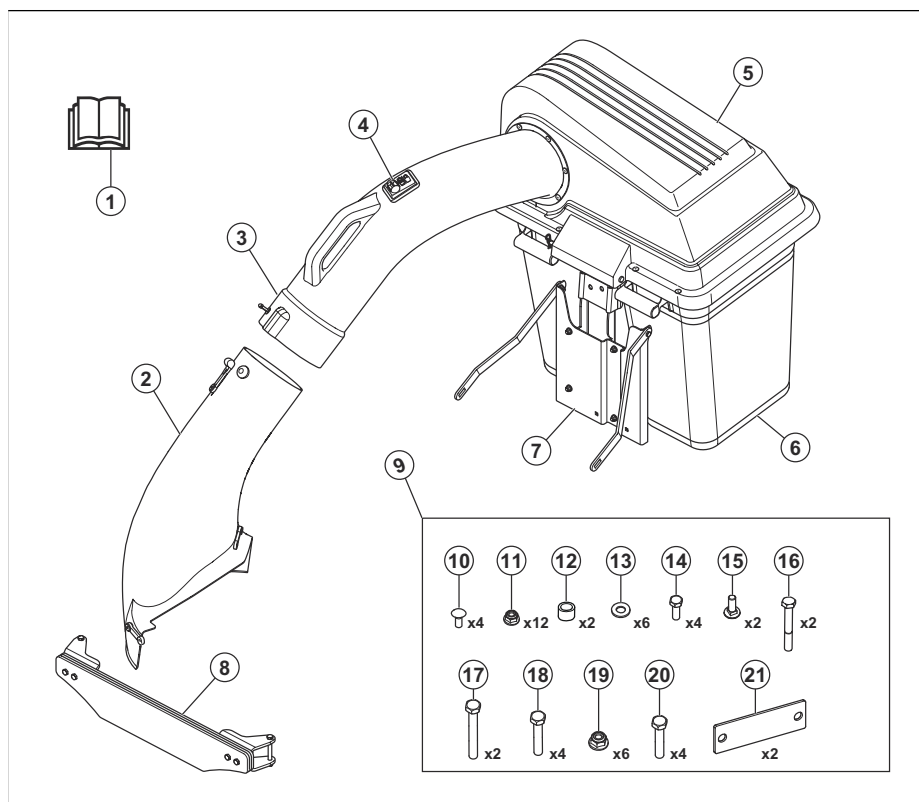
Toote kirjeldus

Tegemist on rohkogumissüsteemiga. Kogutud rohtu saab kasutada muru- või taimevaipade kompostina või kõrvaldada õuejäätmetena.

Kasutusotstarve

See toode on valmistatud niitmise ajal lõigatud rohu kogumiseks, et anda murule hooldatud välimus. Ärge kasutage toodet muude tööde tegemiseks.

Toote tutvustus



1. Kasutusjuhend
2. Külgväljaviskekanal
3. Kogumiskanal
4. Täis koti indikaator
5. Kaas
6. Kott
7. Koguja klamber

8. Esiraskus
9. Kinnitusvahendite kott
10. Tõstepolt, 5/16-18x3/4
11. Mutter, 5/16
12. Vahepuks
13. Seib
14. Kuuskantpolt, 5/16-18x1

15. Töstepolt, 5/16-18x1-1/4
16. Kuuskantpolt, 5/16-18x2-1/4
17. Kuuskantpolt, 3/8-16x3-1/2
18. Kuuskantpolt, 3/8-16x2-1/2
19. Mutter, 3/8
20. Kuuskantpolt, 3/8-16x2-1/4
21. Tugevdusplaat

- toodet on valesti parandatud;
- toote parandamisel on kasutatud osi, mis ei ole tootja poolt valmistatud või heaks kiidetud;
- tootel on kasutatud tarvikut, mis ei ole tootja poolt valmistatud või heaks kiidetud;
- toodet ei ole parandatud volitatud hoolduskeskuses või volitatud isiku poolt.

Toote kahjustused

Me ei vastuta meie tootele tekitatud kahjude eest, kui:

Ohutus

Ohutuse määratlused

Mõistetega „hoiatus“, „ettevaatus“ ja „märkus“ juhitakse tähelepanu eriti olulistele kohtadele kasutusjuhendis.



HOIATUS: Tähistab kasutusjuhendi juhiste eiramise korral kasutaja või kõrvalseisjate kehavigastuse või surmaga lõppeva õnnetuse ohtu.



ETTEVAATUST: Tähistab kasutusjuhendi juhiste eiramise korral seadme, muude esemete või läheduses asuvate objektide kahjustamise ohtu.

Märkus: Tähistab antud olukorras vajalikku lisateavet.

Üldised ohutuseeskirjad



HOIATUS: Enne toote kasutamist lugege alljärgnevaid hoiatusjuhiseid



HOIATUS: Selle niiduki võimsusest piisab käe või jala amputeerimiseks ning esemete eemale paiskamiseks. Järgmiste hoiatuse eiramine võib kaasa tuua tõsise vigastuse või surma.



HOIATUS: Ettevaatliku käsitsemise põhimõtete eiramine võib põhjustada kasutajale või teistele isikutele raskeid kehavigastusi. Omanik peab kõiki käesolevaid juhiseid teadma ja neist täielikult aru saama ning tohib lasta muruniidukit kasutada üksnes volitatud isikutel, kes on nende juhistega samuti täielikult kursis. Iga niidukit kasutav isik peab olema heas füüsilises ja vaimses vormis ning ei tohi olla mingisuguste meelemürkide mõju all.

- Loe, mõista ja järgi käesolevas dokumendis, kasutusjuhendis ning masinal, mootoril ja lisatarvikutel olevaid juhiseid ning hoiatusi.
- Luba toodet kasutada ainult kohusetundlikel kasutajatel, kes on tutvunud juhistega ja on toote käsitsemiseks piisavalt heas füüsilises vormis.
- Kuna toode võib põhjustada tõsiseid vigastusi ning õnnetuste korral võib vaja minna teiste inimeste abi, andke kindlasti kellelegi teisele teada, et kavatsete toodet õues kasutama hakata.
- Ärge lubage muruniidukile kaassõitjaid ja hoidke kõrvalised inimesed eemale.
- Ärge kasutage masinat alkoholi, ravimite ega narkootikumide mõju all.
- Järgi tootja soovitusi seoses rataste kaalude või vastukaaludega.
- Õppige seadet ja selle juhtseadmeid ohutult kasutama ja seadet kiirelt seiskama.
- Tehke endale täiesti selgeks ohutuskleebiste tähendus.
- Hoidke seade puhas, et kõik sildid ja kleebised oleksid hästi loetavad.
- Arvestage, et teiste isikute ja nende varaga seotud õnnetuste korral kannab vastutust seadme kasutaja.
- Kasutage seadet üksnes päevavalguses või hea valgustuse korral. Hoiduge seadmega aukudest ja teistest maapinna ebatasasustest ohutusse kaugusesse. Olge tähelepanelik muude võimalike ohtude osas.
- Ärge lubage seadet käitseda või hooldada lastel ja teistel isikutel, kellel pole selleks luba. Kohalike õigusaktidega võidakse piirata kasutaja vanust.
- Veenduge, et mootori käivitamisel, veofunktsiooni sisselülitamisel ning niitmise alustamisel ei viibi seadme läheduses teisi isikuid.
- Tee lähedal niitmisel või üle tee liikudes jälgige liiklust.
- Ärge töötage seadmega, kui te olete väsinud, olete alkoholi, uimastavate ainete või ravimite või mis tahes muu mõju all, mis võivad

halvendada teie nägemist, keha valitsemist ja otsustamisvõimet.

- Parkige toode alati seisva mootoriga ja tasasele pinnale.
- Ärge muutke masina varustust ega paigaldage masinale mittestandardset varustust ilma tootja eelneva nõusolekuta. Masina muutmisel ei pruugi see enam ohutult töötada või võib saada kahjustada.

Lastega seotud ohutuseeskirjad



HOIATUS: Selle toote kasutamine võib põhjustada lastele ohtlikke kehavigastusi või nende hukkumise. Enne toote kasutamist lugege läbi järgnevad hoiatused. Hoidke lapsed tootest eemale.

- Kui kasutaja pole laste juuresolekul eriti tähelepanelik, võivad järgneda traagilised õnnetused. Masina liikumine ja niitmine meelitab sageli ligi just lapsi. Ärge kunagi eeldage, et lapsed püsivad seal, kus te neid viimati nägite.
- Hoidke lapsed tööalalt eemale ja mõne teise vastutustundliku täiskasvanu hoole all.
- Olge tähelepanelik ja peatage toode kohe, kui mõni laps satub tööalasse. Olge eriti ettevaatlik nurkade, pöösaste, puude ja teiste vaadet varjavate objektide läheduses.
- Pimenurkadele, pöösastele, puudele või muudele objektidele lähenedes olge väga ettevaatlik, kuna need võivad last teie vaateväljast varjata.
- Enne toote tagurpidi liigutamist ja selle ajal hoidke silm peal seljatagusel ja endast madalamal, et märgata lähedusse sattuvaid väikeseid lapsi.
- Ärge lubage lastel seadet käsitseda.
- Ameerika lastearstide akadeemia soovitusel ei tohiks murutraktoreid kasutada lapsed, kes on nooremad kui 16 aastat.
- Ärge kunagi sõidutage lapsi, isegi mitte siis, kui lõiketera(d) on välja lülitatud. Lapsed võivad maha kukkuda ja end vigastada või segada toote turvalist kasutamist. Lapsed, keda on varem sõidutatud, võivad ootamatult niitmisalale järjekordse sõidu jaoks kohale ilmuda ja jääda nii niiduki alla.

Ohutusjuhised kasutamisel



HOIATUS: Enne toote kasutamist lugege läbi järgmised hoiatused.

- Ärge kasutage niidukit, kui koguja ei ole täielikult paigaldatud.
- Ärge kasutage niidukit koos kogumissüsteemiga, kui eesmised raskused ei ole paigaldatud.
- Enne kogumissüsteemi avamist veenduge, et kõik liikuvad osad on seiskunud.

- Enne ummistunud rohu eemaldamist kogumissüsteemist veenduge, et kõik liikuvad osad on seiskunud.
- Puhastage maa-ala kividest, mänguasjadest, traatidest jms esemetest, et need ei jääks ette lõiketeradele, mis võivad need õhku paisata.
- Lubage ainult volitatud täiskasvanutel toodet kasutada.
- Veenduge enne niitmist, et alal ei oleks inimesi ega lemmikloomi. Juhul kui keegi tööalale tuleb, peatage masin.
- Enne pöörämist vähendage kiirust.
- Enne ümber nurga keeramist aeglustage kiirust.
- Lülitage lõiketerad välja, kui toode ei niida.
- Enne toote käivitamist sulgege koguja kate.
- Lülitage niiduki lõiketerad välja, kui liigutate toodet üle alade, kus paiskuvad esemed võivad olla ohtlikud.
- Ärge püüdke koguda esemeid, mida kogumissüsteemist võib välja visata.
- Toote kasutamisel kandke kaitseprille. Õhku paiskuvad esemed võivad silmi kahjustada.
- Veenduge, et kogumiskotid on pärast iga kasutamist ja enne hoiustamist tühjad. Kogumiskottidesse jäetud rohi võib põhjustada isesüttimise ja tulekahju.
- Statistika näitab, et väga suure hulga murutraktoritega seotud õnnetuste osalised on üle 60 aastased isikud. Sellises vanuses kasutajad peavad hindama oma võimekust kasutada murutraktorit nii enda kui teiste jaoks ohutult ilma vigastusohu tekitama.

Ohutusjuhised enne kogumissüsteemi paigaldamist



HOIATUS: Enne toote kasutamist lugege läbi järgmised hoiatused.

- Parkige tasasele pinnale.
- Rakendage käsipidur.
- Viige juhtkangid neutraalsesse asendisse.
- Seisake mootor ja eemaldage süütevõti.
- Enne kogumissüsteemi paigaldamist veenduge, et kõik liikuvad osad oleksid seiskunud.

Ohutusjuhised kallakutel töötamiseks



HOIATUS: Enne toote kasutamist lugege läbi järgnevad hoiatused.

Kallakud on peamised õnnetusi põhjustavad tegurid. Kallakutel töötamisel tuleb eriti hoolas olla.

- Kallakutel sõitke tootja poolt näidatud suunas. Mahapaneku kohtade läheduses niites ole ettevaatlik.

- Äge niitke märga muru. Rehvide haarduvus võib kaduda.
- Ärge kasutage toodet halvenenud haarduvuse, juhitavuse või stabiilsuse tingimustes. Rehvid võivad libiseda ka juhul, kui rattad seisavad.
- Kallakust alla sõites peab masinal alati käik sees olema. Ärge sõitke vabakäiguga allamäge.
- Vältige seadme käivitamist ja peatamist kallakutel. Vältige äkilisi kiiruse- ja suunamuutusi. Tehke pööreid aeglaselt ja sujuvalt.
- Kui rataste haarduvus kaob, lahutage lõiketerad ja jätkake aeglaselt kallakust otse alla sõitmist.
- Olge eriti ettevaatlik, kui seadmel on kasutusel rohkogur või muu(d) lisatarvik(ud). Need võivad mõjutada masina stabiilsust.
- Kallakul muru niitmine suurendab seadme üle kontrolli kaotamise ja seadme ümbermineku ohtu. See omakorda võib põhjustada kehavigastuse või surma. Kõikidel kallakutel tuleb niita väga ettevaatlikult. Kui te ei saa kallakust üles tagurdada või tunnete end ebaturvaliselt, jätke see ala niitmata.
- Eemaldage kivid, oksad jm takistused.
- Muru niitmiseks kallakul liikuge üles ja alla, mitte küljelt küljele.
- Ärge liikuge seadmega alal, mille kalle ületab 10°.
- Liikuge kallakul sujuvalt ja aeglaselt.
- Pidage silmas vagusid, auke ja kühme ning ärge sõitke neist üle. Ebatasasel pinnal on seadme ümbermineku oht suurem. Kõrge rohi võib peita takistusi.
- Ärge niitke servade, kraavide ja kallaste läheduses. Hoidke nendest ohtudest eemal vähemalt masina laiuse ulatuses. Seade võib äkitselt ümber paiskuda, kui ratas libiseb üle järsu nõlva- või kraaviserva või kui serv järele annab.

Ohutusjuhised hooldamisel



HOIATUS: Enne toote kasutamist lugege läbi järgmised hoiatused.



HOIATUS: Seade on raske ja võib põhjustada kehavigastusi või varalist kahju esemetele või ümbruskonnale. Ärge tehke mootori või lõikeosa hooldustöid, kui järgmised tingimused pole täidetud.

- Mootor on seisatud.
- Seade on pargitud tasasele pinnale.
- Seisupidur on rakendatud.
- Süütevõti on seiskamisasendis ja eemaldatud.
- Lõiketerad on välja lülitatud.
- Kõik liikuvad osad on peatunud.

- Süütejhtmed on süüteküünalde küljest eemaldatud.



HOIATUS: Rõhu all oleva välja pääseva vedeliku surve võib olla piisavalt tugev, et läbida nahka ja põhjustada tõsiseid kehavigastusi. Kui vedelik naha alla satub, pöördu viivitamatult arsti poole. Hoia oma keha ja käed eemal aukudest ja otsikutest, kust väljub suure rõhu all olev vedelik. Lekke korral lase toode koolitatud tehnikul viivitamata parandada.



HOIATUS: Mootori heitgaasid sisaldavad vingugaasi, mis on lõhnatu, mürgine ja väga ohtlik. Ärge kasutage seadet suletud ruumides või ruumides, kus puudub piisav õhuvool.

- Hoidke toode töökorras. Vahetage välja kulunud või kahjustunud osad.

Ole lõiketerasid hooldades ettevaatlik. Mähi tera(d) millegi sisse või kanna kindaid. Kahjustatud lõiketerad vahetage välja. Ärge remontige ega vahetage tera(sid).

Kui seadmel on süüteküüneajuh(tm)e(d) ja negatiivne akukaabel, eemaldage need enne remontimist.

Parima jõudluse ja ohutuse tagamiseks tehke seadme hooldustöid regulaarselt ja vastavalt hooldusskeemile. Vt jaotist *Hooldusskeem lk 79*.

- Elektrilöögid võivad põhjustada vigastusi. Ärge puudutage juhtmeid, kui mootor töötab. Ärge tehke süütesüsteemi toimivustesti oma sõrmede abil.
- Enne mootori lähedal hooldustööde alustamist laske seadmel maha jahtuda.
- Lõiketerad on teravad ja võivad põhjustada sisselõikeid. Enne lõiketerade juures tööde alustamist mähkige need sisse või kandke kaitsekindaid.
- Ärge pöörake mootorit ümber, kui süüteküünal või süütekaabel on eemaldatud.
- Veenduge, et kõik poldid ja mutrid oleksid korralikult pingutatud ning et varustus oleks heas seisundis.
- Ärge muutke regulaatorite seadistust. Kui mootori kiirus on liiga suur, võib see seadme komponente kahjustada.
- Seade on heaks kiidetud üksnes tootja tarnitud või soovitatud varustusega.
- Remontimisel kasutage ainult originaalvaruosi. Muude varuosade kasutamine tühistab garantii kehtivuse.

Installimine

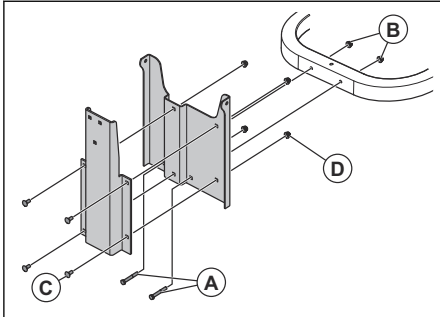
Sissejuhatus



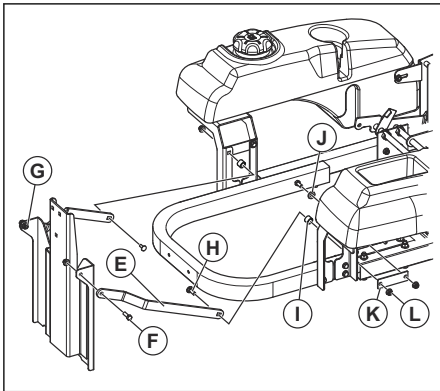
HOIATUS: Enne toote kasutamist lugege läbi ohutuspeatükk ja tehke selles olev teave endale selgeks.

Koguja klambri paigaldamine

1. Paigaldage tugiklamber raamile 2x 5/16-18x2-1/4 kuuskantpoltidega (A) ja 2x 5/16 mutritega (B).



2. Paigaldage riputusklamber tugiklambri külge 4x 5/16-18x3/4 tõstepoldi (C) ja 4x 5/16 mutriga (D).
3. Paigaldage tugirihmad tugiklambrisse.

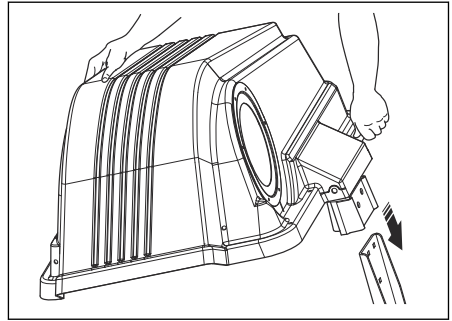


4. Paigaldage rihmad (E) tugiklambrisse 2x 5/16-18x1-1/4 tõstepoldi (F) ja 2x 5/16 mutriga (G).
5. Paigaldage rihmad paagi klambritele 4x 5/16-18x1 kuuskantpoltidega (H), 2x vahepoldiga (I), 2x seibiga (J), 2x tugevdusplaatidega (K) ja 4x 5/16 mutritega (L).

Koguja kate paigaldamine

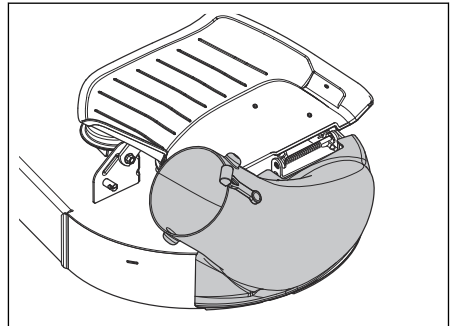
1. Paigaldage koguja klamber. Vt jaotist *Koguja klambri paigaldamine lk 77*.

2. Asetage koguja kate koguja klambri.



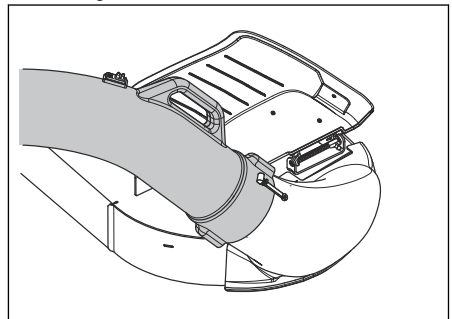
Külgmise väljaviskekanali paigaldamine

1. Tõstke külgmist tühjenduskatet.
2. Pange külgne tühjenduskraan ümber kaanekinnituse.
3. Kinnitage väljaviskekanali riivid niidukikatte külge.



Kogumiskanali paigaldamine

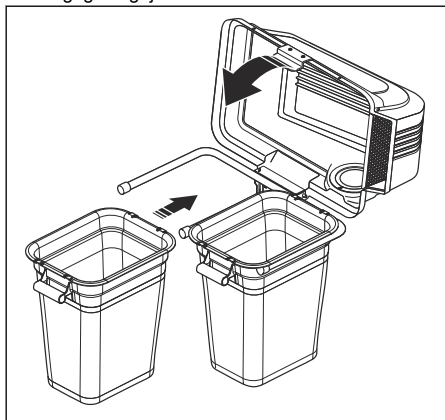
1. Asetage kogumiskanal külgväljaviskekanalile.
2. Kinnitage rihm.



3. Asetage kogumiskanal koguja kate avasse.

Kottide paigaldamine

1. Kallutage koguja katet.
2. Asetage kaks kotti tugiraamile.
3. Sulgege koguja kate.

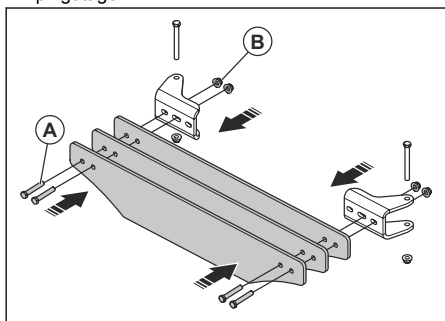


Eesmise raskuse paigaldamine

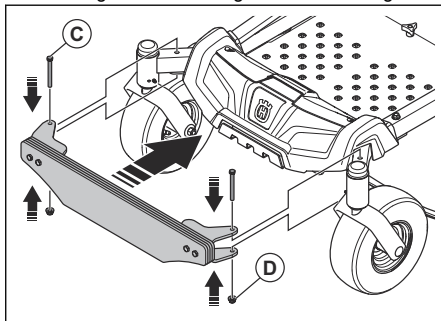


HOIATUS: Ärge kasutage kogumissüsteemi ilma eesmistest raskusteta.

1. Paigaldage eesmised raskusplaadid 4x 3/8-16x2-1/4 kuuskantpoltidega (A) ja 4x 3/8 mutritega (B) klambritele. Ärge mutreid täielikult pingutage.



2. Joondage klambrites augud raami aukudega.



3. Paigaldage 3/8-16x3-1/2 poldid (C) ja 3/8 mutrid (D).
4. Pingutage kõik mutrid.

Töö

Sissejuhatus



HOIATUS: Enne seadme kasutamist lugege põhjalikult läbi ohutust puudutav jaotis.

Toote kasutamine

- Järgige niiduki kasutusjuhendis olevaid kasutusjuhiseid.
- Kogumissüsteemi kasutamisel kasutage mootorit täiskiirusel.
- Hea niitmis- ja kogumistulemuse saavutamiseks liigutage toodet väikese kiirusega edasi.

- Kui muru on kõrge ja paks, niitke seda kaks korda. Esimene niitmine tuleb teha kõrgeimal lõikekõrgusel ja teine kord õigel kõrgusel.
- Kasutage esemete lähedalt niitmiseks niiduki vasakut külge.
- Ärge niitke märga muru. Märg rohi võib kogumissüsteemis suurema tõenäosusega ummistuda.
- Kui kogumissüsteem lõigatud rohtu ei kogu, siis tühjendage kogumiskotid. Kui probleem püsib ka pärast kogumiskottide tühendamist, siis veenduge, et kogumiskanal ei oleks ummistunud.
- Kui tabate lahtist eset, siis seisake niiduk ja veenduge, et kogumissüsteem ei ole kahjustatud.
- Vältige kogumiskanalit väändumist.
- Ärge lohistage kogumiskanalit mööda hoonete külgi või muid kõvasid pindu.

Hooldamine

Sissejuhatus



HOIATUS: Enne seadme hooldamist lugege põhjalikult läbi ohutust puudutav jaotis.

X = juhised on selles kasutusjuhendis.

O = juhised on mootori kasutusjuhendis.

Kasutaja hoolduskava

Hoolduskeem

* = juhised ei ole selles kasutusjuhendis.

| Hooldus | Igapäevane hooldus | Hooldusintervall tundides | | |
|---|--------------------|---------------------------|----|----|
| | Enne kasutamist | 5 | 25 | 50 |
| Kontrollige ja puhastage kogumiskotte. | X | X | | |
| Veenduge, et mutrid ja kruvid oleksid pingutatud. | X | | | |
| Veenduge, et kogumiskanal on pingul. | X | | | |
| Puhastage toode. | | | | X |

Toote puhastamine

- Eemaldage võõrkehad ja -materjalid tootelt harja abil.

- Vajadusel kasutage kõrgsurvepesurit ja nõrka puhastusvahendit. Ärge ületage veerõhku 68,9 baari.

Veaotsing

Törkeotsingu ajakava

Kui te ei leia probleemile lahendust kasutusjuhendist, pöörduge Husqvarna hooldustöökoja poole.

| Probleem | Põhjus |
|-----------------------------------|--|
| Õhuvoolu kadu. | Kogumiskanal või koguja katte sisselaskeava on ummistunud. |
| | Mahuti on täis. |
| | Kogujas olev kangas on ummistunud. |
| Ebatavaline vibratsioon või müra. | Kogujas on tahke ese. |
| | Lahtised või puuduvad kruvid või mutrid. |

| Probleem | Põhjus |
|--------------------------------|---|
| Koguja katet on raske sulgeda. | Kogujas olevad esemed põhjustavad koguja katte ummistumise. |
| | Koguja katte hingede kruvid on liiga pingul. |

Transportimine, hoiulepanek ja utiliseerimine

Transportimine

- Ärge pukseerige toodet.
- Seade on raske ja võib põhjustada muljumisvigastusi. Seadme sõidukile või haagisele peale- ja mahalaadimisel olge ettevaatlik.
- Laadige toode tagurpidi heakskiidetud rambile, mille maksimaalne kalle on 10°. Ärge tõstke toodet.
- Seadme transportimiseks kasutage selleks ette nähtud haagist.
- Enne seadme haagisega transportimist või avalikel teedel sõitmist veenduge, et oleksite kursis kohalike kehtivate liikluseeskirjadega.
- Fikseeri toode heakskiidetud vahenditega, näiteks rihmadega. Kasutage tootel või raami vastavatel aladel kinnituspunkte. Seisupidurist ei piisa seadme lukustamiseks transpordi ajal.

Hoiustamine

Kui seade jääb seisma hooaja lõppedes või kauemaks kui 30 päevaks, tuleb seade hoiustamiseks ette valmistada. Kui kütus jääb kütusepaaki kauemaks kui 30 päevaks, võivad kleepuvad osakesed karburaatori ummistada. See mõjutab negatiivselt mootori tööd.

Hoiustamise ajal kleepuvate osakeste moodustumise vältimiseks lisage stabilisaatorit. Alkülaatbenssiini kasutamise korral pole stabilisaatori lisamine vajalik. Kui kasutate tavalist benssiini, ärge minge üle alkülaatbenssiini kasutamisele. See võib muuta tundlikud kummist detailid kõvaks. Lisage stabilisaatorit kas kütusepaaki või hoiumahutisse. Järgige alati tootja antud segusuhteid. Lisa stabilisaatorit ja käivita mootor vähemalt 10 minutiks, kuni kütus voolab karburaatorisse.



HOIATUS: Kui seadme paagis on kütust, ärge hoidke seadet siseruumis või halva ventilatsiooniga ruumis. See tekitab tõsise tuleoahu, sest kütuseaur võib puutuda kokku näiteks boileri, kuumaveepaagi või riidekuivati lahase leegi, sädemete või süüteleegiga.



HOIATUS: Tuleoahu vähendamiseks eemaldage seadmelt rohi, lehed ja muud

tuleohtlikud materjalid. Enne hoiule asetamist laske seadmel maha jahtuda.

- Puhasta seade, vt jaotist *Toote puhastamine lk 79*.
- Eemalda jahutusventilaatorist kõrvalised materjalid.
- Korrosiooni vältimiseks parandage värvkatte kahjustused.
- Kontrollige, kas seadmel on kulunud või kahjustatud osi, ning keerake kinni lahtised kruvid ja mutrid.
- Eemalda aku. Puhastage ja laadige aku ning asetage see jahedasse hoiukohta.
- Vaheta mootoriõli ja kõrvalda läbitöötatud õli kasutuselt.
- Tühjendage kütusepaak. Käivitage mootor ja laske sel töötada kuni karburaatoris kütuse lõppemiseni.

Märkus: Kui on lisatud stabilisaatorit, siis ärge tühjendage kütusepaaki ja karburaatorit.

- Eemaldage küünlad ja kallake igasse silindrisse supilusikatäis mootoriõli. Õli jaotamiseks keerake mootoriõlivi käitsi ringi ja pange küünlad tagasi.
- Määrige kõiki määrdenipleid, liigendeid ja telgi.
- Hoiu seadet puhtas ja kuivas kohas ning täiendavaks kaitseks kata kinni.

Sisällys

| | | | |
|-------------------|----|---|----|
| Johdanto..... | 81 | Huolto..... | 87 |
| Turvallisuus..... | 82 | Vianmääritys..... | 87 |
| Asennus..... | 85 | Kuljettaminen, säilyttäminen ja hävittäminen..... | 88 |
| Käyttö..... | 86 | | |

Johdanto

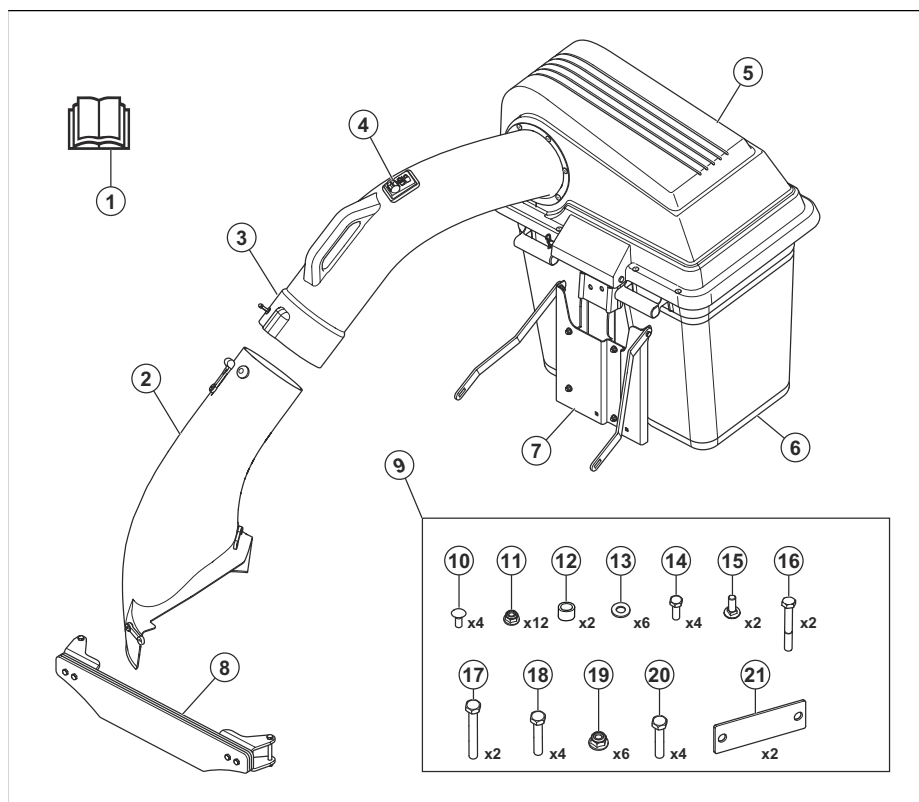
Tuotekuvaus

Tämä tuote on ruohon keruujärjestelmä. Kerättyä nurmikkoa voidaan käyttää kompostina nurmikolle tai kasvimaalle tai sen voi hävittää pihajätteenä.

Käyttötarkoitus

Tämä tuote on tarkoitettu keräämään ruohosilppua leikkua aikana, jotta nurmikko säilyy siistinä. Älä käytä tuotetta muihin tarkoituksiin.

Tuotteen kuvaus



1. Käyttöohje
2. Sivullepuhalluskouru
3. Keruutorvi
4. Kerääjän täyttymisen ilmaisim
5. Kuomu
6. Pussi
7. Kerääjän kiinnike
8. Etupaino
9. Rautatavaralaukku
10. Lukkopultti, 5/16-18x3/4
11. Mutteri, 5/16
12. Välikappale
13. Aluslevy
14. Kuusiopultti, 5/16-18x1

15. Lukkopultti, 5/16-18x1-1/4
16. Kuusiopultti, 5/16-18x2-1/4
17. Kuusiopultti, 3/8-16x3-1/2
18. Kuusiopultti, 3/8-16x2-1/2
19. Mutteri, 3/8
20. Kuusiopultti, 3/8-16x2-1/4
21. Vahvistuslevy

- tuote on korjattu virheellisesti
- tuotteen korjaamiseen on käytetty muita kuin valmistajan omia tai sen hyväksymiä osia
- tuotteessa on muu kuin valmistajan oma tai sen hyväksymä lisävaruste
- tuotetta ei ole korjattu valtuutetussa huoltopisteessä tai hyväksytyllä asiantuntijalla.

Tuotteen vaurioituminen

Emme ole vastuussa tuotteen vaurioitumisesta, jos:

Turvallisuus

Turvallisuusmääritelmät

Varoituksia, huomioita ja huomautuksia käytetään, kun jotakin käyttöohjeen osaa halutaan erityisesti korostaa.



VAROITUS: Tätä käytetään, jos käyttöohjeen noudattamatta jättämisestä voi seurata käyttäjän tai sivullisen vamma tai kuolema.



HUOMAUTUS: Tätä käytetään, jos käyttöohjeen noudattamatta jättämisestä voi seurata koneen, muiden materiaalien tai ympäristön vaurioituminen.

Huomautus: Tätä käytetään tietyissä tilanteissa tarvittavien lisätietojen antamiseen.

Yleiset turvallisuusohjeet



VAROITUS: Lue seuraavat varoitukset ennen tuotteen käyttöä.



VAROITUS: Tämä tuote voi katkaista käden tai jalan sekä singota esineitä. Ellei seuraavassa esitetyissä turvallisuusohjeita noudateta, seurauksena voi olla vakavia henkilövahinkoja tai kuolema.



VAROITUS: Varoisten käyttötapojen huomiotta jättämisestä voi seurata vaarallinen henkilövahinko käyttäjälle tai muille. Omistajan on ymmärrettävä nämä ohjeet ja sallittava leikkuulaitteen käyttö vain valtuutetuille henkilöille, jotka ymmärtävät nämä ohjeet. Jokaisen ruohonleikkurin käyttäjän on oltava henkisesti ja fyysisesti terve, eikä hän saa olla huumaavan aineen vaikutuksen alainen.

- Lue tässä asiakirjassa, käyttöohjeessa, tuotteessa, moottorissa ja lisälaitteissa olevat ohjeet ja varoitukset, sisäistä ne ja noudata niitä, ennen kuin aloitat tuotteen käytön.
- Tuotetta saavat käyttää vain fyysisesti tuotteen käyttöön kykenevät käyttäjät, jotka ovat vastuuntuntoisia, koulutettuja ja lukeneet käyttöohjeet.
- Muista ilmoittaa jollekulle aikeestasi käyttää tuotetta, jotta saat apua loukkaantumis- tai onnettomuustilanteessa.
- Älä kuljeta tuotteella matkustajia ja pidä sivulliset loitolla.
- Älä käytä tuotetta alkoholin tai huumaavien aineiden vaikutuksen alaisena.
- Noudata valmistajan pyöräpainoihin tai vastapainoihin liittyvää suositusta.
- Opettele käyttämään tuotetta ja sen säätimiä turvallisesti ja opettele pysäyttämään tuote nopeasti.
- Opettele myös kaikkien turvatarjojen merkitykset.
- Pidä tuote puhtaana, jotta kaikki merkinnät ja rarrat ovat luettavissa.
- Muista, että käyttäjä on vastuussa muille ihmisille tai heidän omaisuudelleen aiheutuvista vahingoista.
- Käytä tuotetta ainoastaan päivänvalossa tai muissa hyvin valaistuissa oloissa. Käytä tuotetta turvallisen välimatkan päässä syvänteistä ja muista maaston epätasaisuuksista. Ole tarkkana myös muiden vaarojen varalta.
- Älä anna lasten tai muiden valtuuttamattomien henkilöiden käyttää tai huoltaa tuotetta. Paikalliset määräykset saattavat asettaa ikärajoituksia käyttäjille.
- Varmista, että kukaan ei ole lähellä tuotetta, kun käynnistät moottorin, kytket voimansiirron tai lähdet liikkeelle.
- Tarkkaile liikennettä, kun käytät tuotetta tien läheisyydessä tai ajat tien yli.
- Älä käytä tuotetta, jos olet väsynyt tai nauttinut alkoholia tai huumausaineita tai käytät lääkkeitä, jotka voivat heikentää näkökykyä, vireystilaa, harkintakykyä tai kehon hallintaa.
- Pysäköi tuote aina tasaiseen paikkaan ja sammuta moottori pysäköinnin ajaksi.

- Älä muokkaa tuotetta tai asenna tuotteeseen laitteita, jotka eivät ole standardin mukaisia, ilman valmistajan suostumusta. Tuotteen muutokset voivat tehdä käytöstä vaarallista tai vahingoittaa tuotetta.

Lapsia koskevia turvaohjeita



VAROITUS: Tämä tuote voi aiheuttaa lapsille vakavia tapaturmia tai kuoleman. Lue seuraavat varoitusohjeet ennen laitteen käyttämistä. Pidä lapset turvassa.

- Jos koneen käyttäjä ei ole tarkkaavainen, kun paikalla on lapsia, seurauksena voi olla traagisia onnettomuuksia. Lapset ovat usein kiinnostuneita koneista ja ruohon leikkaamisesta. Älä koskaan oletta, että lapset pysyvät siellä, missä heidät viimeksi näit.
- Pidä lapset poissa työalueelta ja pyydä toista vastuullista aikuista valvomaan heitä.
- Ole tarkkaavainen ja pysäytä tuote heti, jos työskentelyalueelle tulee lapsia. Ole erityisen varovainen nurkkien, pensaiden, puiden tai muiden näkyvyyttä heikentävien kohteiden läheisyydessä.
- Ole erityisen varovainen lähestyessäsi pimeitä kulkimia, pensaita, puita tai muita esineitä, jotka saattavat peittää lapsen näkyvistä.
- Katso taaksesi ja alaspäin sekä ennen kuin alat peruuttaa että peruuttamisen aikana ja varmista, että tuotteen lähellä ei ole pieniä lapsia.
- Älä anna lasten käyttää konetta.
- Yhdysvaltalaisen lastenlääketieteen järjestö, American Academy of Pediatrics, suosittelee, että alle 16-vuotiaat lapset eivät ajaisi ruohonleikkuria.
- Älä ota lapsia kyytiin, vaikka terät olisi pysäytetty. Lapset voivat pudota ja loukkaantua vakavasti tai haitata koneen turvallista käyttöä. Jos lapset ovat aiemmin päässeet kyytiin, he saattavat yhtäkkiä ilmestyä leikkuaalueelle haluten taas kyytiin ja jäädä koneen alle ajaessasi eteenpäin tai peruuttaessasi.

Turvallisuusohjeet – käyttö



VAROITUS: Lue seuraavat varoitukset ennen tuotteen käyttöä.

- Älä käytä ruohonleikkuria, jos ruohonkerääjää ei ole asennettu asianmukaisesti.
- Älä käytä ruohonleikkuria keruujärjestelmän kanssa, jos etupainoja ei ole asennettu.
- Varmista, että kaikki liikkuvat osat ovat pysähtyneet, ennen kuin avaat keruujärjestelmän.
- Varmista, että kaikki liikkuvat osat ovat pysähtyneet ennen kuin poistat keruujärjestelmään kerääntyneen ruohon.

- Puhdista alue kivistä, leluista, rautalangoista ja muista esineistä, jotka voivat tarttua teriin ja sinkoutua niistä.
- Anna vain vastuuntuntoisten aikuisten käyttää tuotetta.
- Varmista ennen leikkuuta, ettei alueella ole muita henkilöitä tai eläimiä. Pysäytä tuote, jos joku tulee alueelle.
- Vähennä nopeutta ennen käännöksiä.
- Vähennä nopeutta ennen nurkan takaa tapahtuvia käännöksiä.
- Kytke terät pois käytöstä, kun tuote ei ole käytössä.
- Sulje kerääjän suojus ennen tuotteen käynnistämistä.
- Kytke ruohonleikkurin terät pois käytöstä, kun siirrä tuotetta sellaisten alueiden läpi, joissa sinkoutuvat esineet voivat aiheuttaa vaaratilanteen.
- Älä yritä kerätä esineitä, jotka voivat sinkoutua keruujärjestelmästä.
- Käytä aina silmäsuojaimia, kun käytät tuotetta. Sinkoutuvat esineet voivat aiheuttaa silmävammoja.
- Varmista, että keräyspusshit ovat tyhjiä jokaisen käyttökerran jälkeen ja ennen säilytystä. Keräyspusseihin jätetty ruoho voi syttyä palamaan.
- Tilastojen mukaan 60-vuotiaat ja sitä vanhemmat käyttäjät ovat useammin osallisina ruohonleikkurin ajoon liittyvissä loukkaantumisissa. Tällaisten käyttäjien tulee arvioida kykynsä käyttää ajoleikkuria riittävän turvallisesti, jotta he suojaavat itsensä ja muut vammoilta.

Turvallisuusohjeet – ennen keruujärjestelmän asentamista



VAROITUS: Lue seuraavat varoitukset ennen tuotteen käyttöä.

- Pysäköi tasaiselle maaperälle.
- Kytke seisontajarru.
- Siirrä ohjausvivut vapaa-asentoon.
- Pysäytä moottori ja poista virta-avain.
- Varmista, että kaikki liikkuvat osat ovat pysähtyneet, ennen kuin aloitat keruujärjestelmän asentamisen.

Turvallisuusohjeet rinteissä



VAROITUS: Lue seuraavat varoitusohjeet ennen laitteen käyttämistä.

Rinteet ovat merkittävä tekijä onnettomuuksissa. Käyttö rinteissä vaatii aina erityistä huolellisuutta.

- Kulje rinteissä valmistajan suosittelemaan suuntaan. Ole varovainen käyttäessäsi konetta lähellä pudotuksia.
- Vältä määrän nurmikon leikkaamista. Renkaiden pito saattaa heikentyä.
- Älä käytä konetta olosuhteissa, joissa pitoa, ohjattavuutta tai vakautta ei voi varmistaa. Renkaat voivat liukua, vaikka pyörät olisi pysäytetty.
- Pidä vaihte aina kytkettynä ajaessasi rinnettä alas. Älä aja vaihte vapaalla alamäessä.
- Vältä liikkeellelähtöä ja pysähtymistä rinteissä. Vältä äkillisiä nopeuden tai suunnan muutoksia. Tee käännökset hitaasti ja asteittain.
- Jos renkaiden kitka häviää, irrota terät ja jatka hitaasti suoraan alas rinnettä.
- Noudata erityistä varovaisuutta käyttäessäsi konetta ruohonkerääjän tai muiden lisävarusteiden kanssa. Ne voivat vaikuttaa koneen vakauteen.
- Ruohon leikkaaminen rinteessä suurentaa koneen hallinnan menettämisen ja kaatumisen vaaraa. Seurauksena voi olla vammautuminen tai kuolema. Ole aina varovainen, kun leikkaat ruohoa rinteessä. Jos et voi peruuttaa rinnettä ylös tai jos peruuttaminen ei tunnu turvalliselta, älä leikkaa ruohoa rinteestä.
- Poista kivet, oksat ja muut esteet.
- Leikkaa ruoho rinteessä ajamalla rinnettä ylös ja alas, ei sivulta sivulle.
- Älä leikkaa ruohoa rinteessä, jonka kaltevuus on yli 10°.
- Aja rinteissä tasaisesti ja hitaasti.
- Varo vakoja, reikiä ja kumpareita, äläkä aja niiden yli. Kone kaatuu helpommin epätasaisessa maastossa. Pitkän ruohon seassa voi olla esteitä.
- Älä leikkaa ruohoa reunojen, oijen tai penkereiden läheltä. Pysytte vähintään koneen leveyden päässä näistä vaaroista. Kone voi äkillisesti kaatua, jos yksi pyörä menee jyrkän rinteen tai ojan reunan yli tai jos reuna pettää.

Turvallisuusohjeet – kunnossapito



VAROITUS: Lue seuraavat varoitukset ennen tuotteen käyttöä.



VAROITUS: Tuote on painava ja voi aiheuttaa vammoja tai vaurioittaa omaisuutta tai ympäröivää aluetta. Älä huolla moottoria tai leikkuulaitetta, jos nämä ehdot eivät täyty:

- Moottori on sammutettu.
- Tuote on pysäköity tasaiselle pinnalle.
- Seisontajarru on kytketty.
- Virta-avain on käännetty pysäytysasentoon ja irrotettu.

- Terät on vapautettu.
- Kaikki liikkuvat osat ovat pysähtyneet.
- Sytytyskaapeli on irrotettu sytytystulpista.



VAROITUS: Paineenalainen vuotava neste voi olla tarpeeksi voimakasta läpäistäkseen ihon ja aiheuttaakseen vakavia vammoja. Jos nestettä joutuu iholle, hakeudu heti lääkäriin. Pidä keho ja kädet kaukana tapin rei'istä tai suuttimista, jotka ruiskuttavat nestettä korkealla paineella. Vuototapauksissa huollata tuote välittömästi pätevällä teknikolla.



VAROITUS: Moottorin pakokaasut sisältävät hiilimonoksidia, joka on hajuton, myrkyllinen ja erittäin vaarallinen kaasu. Älä käytä tuotetta suljetuissa tiloissa tai tiloissa, joissa ei ole riittävästi ilman kiertoa.

- Pidä tuote hyvässä toimintakunnossa. Vaihda kuluneet tai vaurioituneet osat.
Ole varovainen, kun huollat teriä. Kääri terät kankaaseen tai käytä käsineitä. Vaihda vaurioituneet terät. Älä korjaa tai muuta teriä.
Irota tuotteesta mahdollisesti olevat sytytystulpan johdot ja negatiivinen akkukaapeli, ennen kuin teet korjauksia.
Huolla tuote säännöllisesti huoltosuunnitelman mukaisesti, jotta tuotteen suorituskyky ja turvallisuus pysyvät mahdollisimman hyvinä. Katso kohta *Huoltokaavio sivulla 87*.
- Sähköiskut voivat aiheuttaa vammoja. Älä koske johtoihin moottorin käydessä. Älä testaa sytytysjärjestelmän toimivuutta sormillasi.
- Anna tuotteen jäähtyä ennen kuin alat tehdä huoltotoimenpiteitä lähellä moottoritilaa.
- Terät ovat teräviä ja voivat aiheuttaa haavoja. Kierrä terien ympärille suojaavaa materiaalia tai käytä suojakäsineitä, kun käsittelet teriä.
- Älä käännä moottoria ympäri, jos sytytystulppa tai sytytyskaapeli on poistettu.
- Varmista, että kaikki mutterit ja pultit on kiristetty oikein ja että laitteisto on hyvässä kunnossa.
- Älä muuta säätimien asetusta. Jos moottorin nopeus on liian suuri, tuotteen osat voivat vaurioitua.
- Tuote on hyväksytty käytettäväksi ainoastaan valmistajan toimittamilla tai suosittelemilla varusteilla.
- Käytä korjaukseen vain alkuperäisasia. Muiden osien käyttö mitätöi takuun.

Asennus

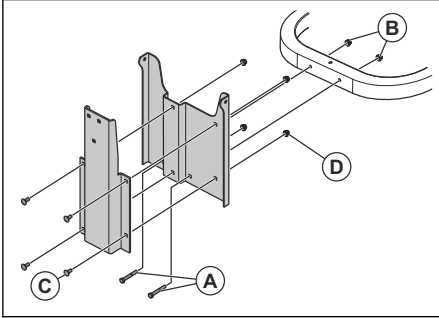
Johdanto



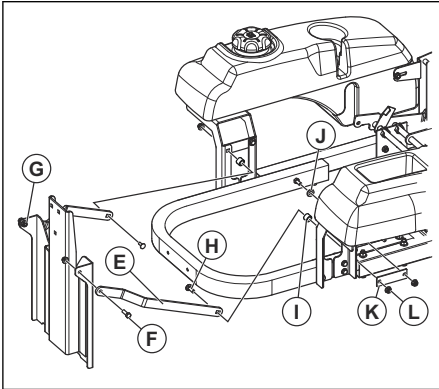
VAROITUS: Lue ja sisäistä turvallisuutta käsittelevä luku ennen tuotteen asentamista.

Kerääjän kiinnikkeen asennus

1. Asenna tukikiinnike runkoon kahdella 5/16-18x2-1/4-kuusiopultilla (A) ja kahdella 5/16-mutterilla (B).



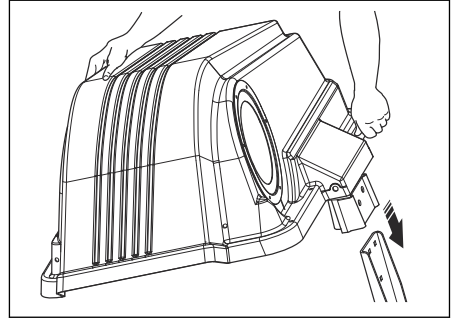
2. Asenna koukun tuki tukikiinnikkeeseen neljällä 5/16-18x3/4-lukkopultilla (C) ja neljällä 5/16-mutterilla (D).
3. Asenna tukihihnat tukikiinnikkeeseen.



4. Asenna hihnat (E) tukikiinnikkeeseen kahdella 5/16-18x1-1/4-lukkopultilla (F) ja kahdella 5/16-mutterilla (G).
5. Asenna hihnat säiliön kiinnikkeisiin neljällä 5/16-18x1-kuusiopultilla (H), kahdella välikappaleella (i), kahdella aluslevyllä (J), kahdella vahvistuslevyllä (K) ja neljällä 5/16-mutterilla (L).

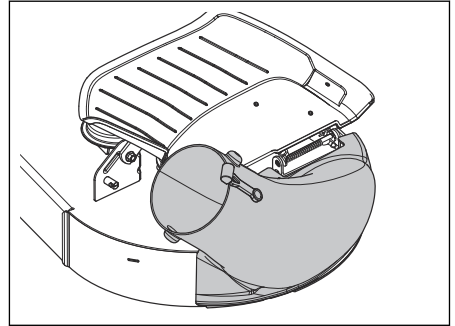
Kerääjän kuvun asennus

1. Asenna kerääjän kiinnike. Katso kohta *Kerääjän kiinnikkeen asennus sivulla 85*.
2. Aseta kerääjän kupu kerääjän kiinnikkeeseen.



Sivullepuhalluskourun asennus

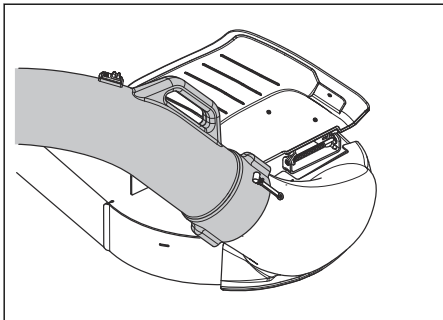
1. Nosta sivullepuhalluksen suojusta.
2. Aseta puhalluskouru suojuksen kannattimien ympärille.
3. Kiinnitä puhalluskourun salvat leikkurin leikkuulaitteeseen.



Keruutorven asennus

1. Aseta keruutorvi sivullepuhalluskouruun.

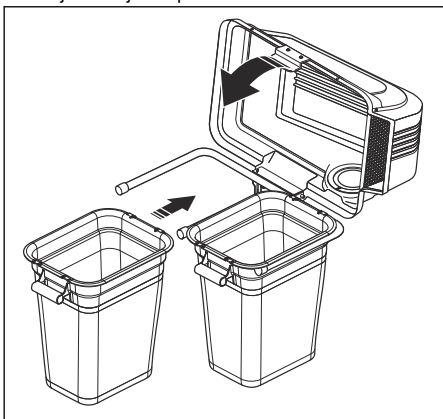
2. Kiinnitä hihna.



3. Aseta keruutorvi kerääjän kuvun aukkoon.

Pussien asennus

1. Kallista kerääjän kupua.
2. Laita kaksi pussia tukirunkoon.
3. Sulje kerääjän kupu.

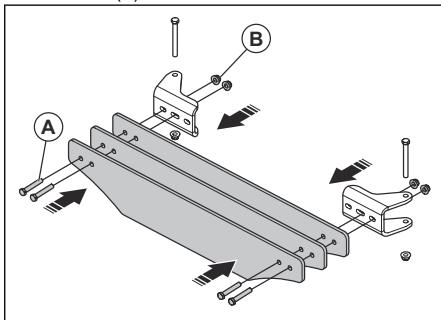


Etupainon asennus

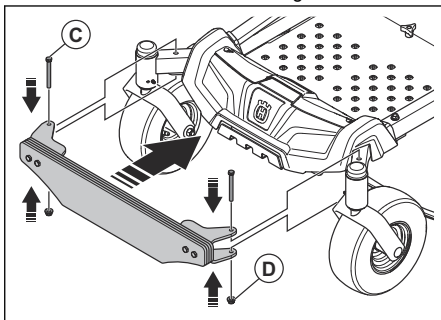


VAROITUS: Älä käytä keruujärjestelmää ilman etupainoa.

1. Asenna etupainolevyt kiinnikkeisiin neljällä 3/8-16x2-1/4-kuusiopultilla (A) ja neljällä 3/8-mutterilla (B). Älä kiristä muttereita kokonaan.



2. Kohdista kiinnikkeiden reiät rungon reikiin.



3. Asenna 3/8-16x3-1/2-pultit (C) ja 3/8-mutterit (D).
4. Kiristä kaikki mutterit.

Käyttö

Johdanto



VAROITUS: Lue turvallisuutta käsittelevä luku niin, että ymmärrät sen sisällön, ennen laitteen käyttämistä.

Tuotteen käyttö

- Noudata ruohonleikkurin käyttöohjekirjan ohjeita.
- Käytä moottoria täydellä nopeudella, kun käytät keruujärjestelmää.
- Siirrä tuotetta eteenpäin alhaisella nopeudella saadaksesi hyvän leikkuu- ja keruutuloksen.
- Leikkaa nurmikko kahdesti, jos ruoho on pitkä ja paksua. Ensimmäisellä leikkuukerralla on käytettävä korkeinta leikkuukorkeutta. Toisella kerralla voit käyttää haluttua leikkuukorkeutta.

- Käytä kohteiden läheltä leikkaamiseen leikkurin vasenta puolta.
- Älä leikkaa märkää nurmikkoa. Märkä ruoho tukkii keruujärjestelmän helpommin.
- Tyhjennä keräyspussit, jos keräysjärjestelmä ei kerää leikattua ruohoa. Varmista, että keruutorvi ei ole tukossa, jos ongelma jatkuu, kun keräyspussit ovat tyhjiä.
- Pysäytä ruohonleikkuri ja varmista, että keruujärjestelmä ei ole vaurioitunut, jos osut irralliseen esineeseen.
- Estä keruutorven kiertyminen.
- Älä vedä keruutorvea rakennusten sivuja tai muita kovia pintoja vasten.

Huolto

Johdanto



VAROITUS: Lue turvallisuutta käsittelevä luku niin, että ymmärrät sen sisällön, ennen minkäänlaisten huoltotöiden aloittamista.

X = Ohjeet ovat tässä käyttöohjeessa.

O = Katso moottorin käyttöohje.

Käyttäjän huoltokaavio

Huoltokaavio

* = Tässä käyttöohjeessa ei ole ohjeita näitä toimenpiteitä varten.

| Huolto | Päivittaiset toimenpiteet | Huoltoväli tunteina | | |
|---|---------------------------|---------------------|----|----|
| | Ennen käyttöä | 5 | 25 | 50 |
| Tarkista ja puhdista keräyspussit. | X | X | | |
| Varmista, että kaikki mutterit ja ruuvit on kiristetty. | X | | | |
| Varmista, että keruutorvi on tiukasti kiinni. | X | | | |
| Puhdista tuote. | | | | X |

Laitteen puhdistaminen

- Poista laitteesta tarpeeton materiaali ja ruoho harjalla.

- Käytä tarvittaessa painepesuria ja mietoa puhdistusainetta. Älä käytä puhdistukseen yli 68,9 baarin / 1 000 PSI:n vedenpainetta.

Vianmääritys

Vianmääritys

Jos et löydä ratkaisua ongelmaasi tästä käyttöohjekirjasta, ota yhteyttä Husqvarna-huoltoliikkeeseen.

| Ongelma | Syy |
|---|---|
| Ilma ei virtaa. | Keruutorvi tai kerääjän suojuksen tuloaukko on tukossa. |
| | Säiliö on täynnä. |
| | Kerääjän kangas on tukkeutunut. |
| Epätavallinen tärinä tai melu. | Kerääjässä on kiinteä esine. |
| | Löysät tai puuttuvat ruuvit tai mutterit. |
| Kerääjän suojuksen sulkeminen on vaikeaa. | Kerääjässä olevat esineet tukkivat kerääjän suojuksen. |
| | Kerääjän suojuksen saranaruuvit ovat liian kireällä. |

Kuljettaminen, säilyttäminen ja hävittäminen

Kuljettaminen

- Älä hinaa tuotetta.
- Tuote on painava ja voi aiheuttaa ruhjevammoja. Ole varovainen, kun lastaat sitä ajoneuvoon tai perävaunuun tai purat sitä ajoneuvosta tai perävaunusta.
- Kuormaa tuote peruuttamalla hyväksytyä ramppia pitkin (rampin enimmäiskaltevuus 10°). Älä nosta tuotetta.
- Käytä tuotteen kuljettamiseen hyväksytyä perävaunua.
- Varmista, että tunnet paikalliset liikennesäädökset ennen tuotteen kuljettamista perävaunussa tai tieliikenteessä.
- Lukitse tuote paikalleen hyväksytyillä välineillä, kuten hihnoilla. Käytä tuotteen tai rungon soveltuvien alueiden kiinnityspisteitä. Seisontajarru ei riitä tuotteen lukitsemiseen kuljetuksen ajaksi.

Säilytys

Valmistele laite kauden jälkeistä varastointia sekä yli 30 päivän varastointia varten. Jos polttoaine on polttoainesäiliössä yli 30 päivän ajan, tahmeat hiukkaset saattavat aiheuttaa kaasuttimen tukkeutumisen. Tämä haittaa moottorin toimintaa.

Jotta tahmeat hiukkaset eivät aiheuttaisi ongelmia säilytyksen aikana, lisää polttoaineeseen stabilointiainetta. Jos käytät alkylaattibensiiniä, stabilointiainetta ei tarvita. Jos käytät tavallista bensiiniä, älä siirry käyttämään alkylaattibensiiniä. Tämä saattaa aiheuttaa herkkien kumiosien kovettumisen. Lisää stabilointiainetta joko suoraan polttoainesäiliöön tai polttoaineen varastointiin käytettävään säiliöön. Noudata aina valmistajan ilmoittamaa seossuhdetta. Lisää stabilointiainetta ja käytä moottoria vähintään 10 minuuttia, kunnes polttoaine virtaa kaasuttimeen.



VAROITUS: Älä koskaan jätä konetta, jonka polttoainesäiliössä on polttoainetta, sisälle tai huonosti tuulettuvaan tilaan. Polttoainehöyryjen joutuminen kosketuksiin avotulen, kipinöiden tai esimerkiksi lämpökattilan tai kuumavesivaraajan sytytysliekin tai kuivauskaapin kanssa.



VAROITUS: Poista ruoho, lehdet ja muut syttyvät materiaalit koneesta, jotta tulipalon vaara pienenee. Anna koneen jäähtyä ennen varastointia.

- Puhdista kone, katso kohta *Laitteen puhdistaminen sivulla 87*.

- Poista tarpeettomat materiaalit jäähdytyspuhaltimesta.
- Korjaa maalivauriot, jotta kone ei ala ruostua.
- Tarkista, onko koneessa kuluneita tai vaurioituneita osia, ja kiristä löystyneet ruuvit ja mutterit.
- Irrota akku. Puhdista ja lataa akku, ja säilytä sitä viileässä paikassa.
- Vaihda moottoriöljy ja hävitä jätteöljy.
- Tyhjennä polttoainesäiliö. Käynnistä moottori ja anna sen käydä, kunnes kaasuttimessa ei ole enää polttoainetta.

Huomautus: Älä tyhjennä polttoainesäiliötä ja kaasutinta, jos stabilointiainetta on lisätty.

- Irrota tulpat ja kaada noin ruokalusikallinen moottoriöljyä kuhunkin sylinteriin. Levitä öljy pyöryttämällä kampiakselia käsin ja aseta tulpat takaisin paikoilleen.
- Voitele kaikki voitelunipat, liitokset ja akselit.
- Säilytä konetta puhtaassa ja kuivassa paikassa suojapeitteellä peitettynä.

Sommaire

| | | | |
|-------------------|----|--|----|
| Introduction..... | 89 | Entretien..... | 95 |
| Sécurité..... | 90 | Dépannage..... | 96 |
| Installation..... | 93 | Transport, entreposage et mise au rebut..... | 96 |
| Utilisation..... | 95 | | |

Introduction

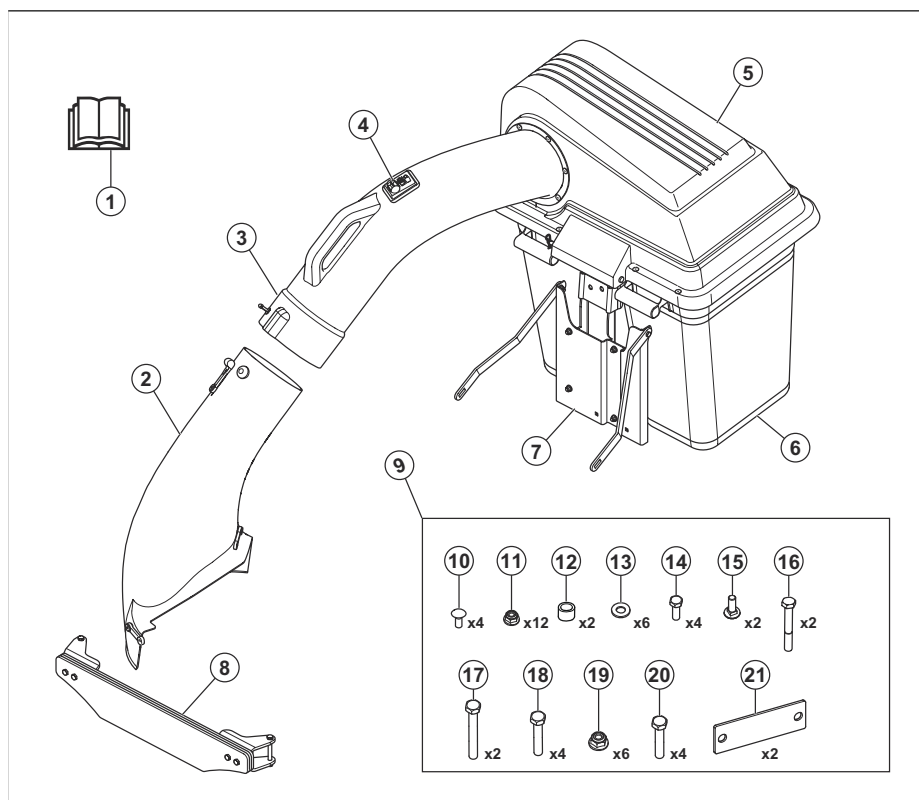
Description du produit

Ce produit est un système de ramassage d'herbe. L'herbe recueillie peut être utilisée comme compost pour la pelouse ou les parterres de plantes, ou bien jetée avec les déchets verts.

Utilisation prévue

Ce produit est conçu pour ramasser l'herbe tondue afin de donner à votre pelouse un aspect soigné. N'utilisez pas ce produit pour d'autres travaux.

Aperçu du produit



1. Manuel d'utilisation
2. Goulotte d'éjection latérale
3. Goulotte du collecteur
4. Indicateur de sac plein
5. Capot
6. Sac

7. Support du collecteur
8. Poids à l'avant
9. Sac de matériel
10. Boulon de carrosserie, 5/16-18x3/4
11. Écrou, 5/16
12. Entretoise

- 13. Rondelle
- 14. Boulon hexagonal, 5/16-18x1
- 15. Boulon de carrosserie, 5/16-18x1-1/4
- 16. Boulon hexagonal, 5/16-18x2-1/4
- 17. Boulon hexagonal, 3/8-16x3-1/2
- 18. Boulon hexagonal, 3/8-16x2-1/2
- 19. Écrou, 3/8
- 20. Boulon hexagonal, 3/8-16x2-1/4
- 21. Plaque de renfort

- le produit n'est pas correctement réparé ;
- le produit est réparé avec des pièces qui ne proviennent pas du fabricant ou qui ne sont pas homologuées par le fabricant ;
- le produit est équipé d'un accessoire qui ne provient pas du fabricant ou qui n'est pas homologué par le fabricant ;
- le produit n'est pas réparé par un centre d'entretien agréé ou par une autorité homologuée.

Endommagement du produit

Nous ne sommes pas responsables des dommages subis par le produit si :

Sécurité

Définitions de sécurité

Des avertissements, des recommandations et des remarques sont utilisés pour souligner des parties spécialement importantes du manuel.



AVERTISSEMENT: Symbole utilisé en cas de risque de blessures ou de mort pour l'opérateur ou les personnes à proximité si les instructions du manuel ne sont pas respectées.



REMARQUE: Symbole utilisé en cas de risque de dommages pour le produit, d'autres matériaux ou les environs si les instructions du manuel ne sont pas respectées.

Remarque: Symbole utilisé pour donner des informations supplémentaires pour une situation donnée.

Instructions générales de sécurité



AVERTISSEMENT: Lisez les instructions qui suivent avant d'utiliser le produit



AVERTISSEMENT: Ce produit peut trancher les mains et les pieds et projeter des objets. Le non-respect de ces instructions de sécurité peut entraîner des blessures graves, voire mortelles.



AVERTISSEMENT: Le non-respect des consignes de sécurité relatives à l'utilisation peut entraîner des blessures graves à l'opérateur ou à des tiers. Le propriétaire doit comprendre ces consignes et autoriser l'utilisation

de la tondeuse uniquement par des personnes approuvées qui comprennent ces instructions. Toutes les personnes utilisant la tondeuse doivent être saines de corps et d'esprit et ne doivent pas se trouver sous l'influence de substances susceptibles d'altérer leurs facultés.

- Lisez, familiarisez-vous et suivez les instructions et les avertissements contenus dans ce document, dans le manuel de l'opérateur, et présents sur le produit, le moteur et les accessoires.
- N'autorisez que des opérateurs responsables, correctement formés, connaissant bien les instructions et physiquement capables d'utiliser le produit.
- Veillez à prévenir une personne de votre entourage que vous allez utiliser le produit en cas de blessure ou d'accident.
- Ne transportez pas de passagers et maintenez les autres personnes présentes à l'écart.
- N'utilisez pas le produit sous l'influence de l'alcool ou de médicaments.
- Suivez les recommandations du fabricant relatives à l'utilisation de masses de roues ou de contrepois.
- Apprenez à utiliser la machine et ses commandes en toute sécurité et apprenez à l'arrêter rapidement.
- Apprenez à reconnaître les autocollants de sécurité.
- Veuillez à ce que la machine reste propre pour pouvoir lire clairement les symboles et les autocollants.
- N'oubliez pas que l'opérateur sera tenu responsable des accidents occasionnés à des tiers et à leurs biens.
- Utilisez la machine uniquement à la lumière du jour ou dans des conditions d'éclairage appropriées. Maintenez la machine à une distance de sécurité des ornières et autres

irrégularités du sol. Soyez attentif à d'autres risques possibles.

- Ne laissez pas des enfants ou d'autres personnes non homologuées utiliser ou entretenir la machine. L'âge minimum de l'utilisateur peut être régi par les législations locales.
- Assurez-vous que personne ne se trouve à proximité de la machine lorsque vous démarrez le moteur, embraquez l'unité d'entraînement ou commencez à avancer avec la machine.
- Faites attention à la circulation lorsque vous tondez à proximité d'une route ou que vous traversez une route.
- N'utilisez pas la machine si vous êtes fatigué, avez bu de l'alcool ou pris des médicaments susceptibles d'affecter votre vue, votre jugement ou la maîtrise de votre corps.
- Garez toujours la machine sur une surface plane et le moteur arrêté.
- Ne pas modifier ni installer d'équipement non standard sur l'unité sans le consentement du fabricant. Toute altération à l'unité peut donner lieu à un fonctionnement dangereux ou endommager l'unité.

Consignes de sécurité pour les enfants



AVERTISSEMENT: Ce produit peut blesser grièvement ou mortellement les enfants. Lisez les instructions qui suivent avant d'utiliser le produit. Éloignez les enfants.

- Des accidents tragiques peuvent se produire si l'opérateur ne prend pas garde à la présence d'enfants. Les enfants sont souvent attirés par le produit et le travail de tonte. Ne supposez jamais que les enfants restent en place et qu'ils se trouvent encore à l'endroit où vous les avez vus pour la dernière fois.
- Éloignez les enfants de la zone de travail et laissez-les sous la surveillance d'un adulte responsable autre que l'opérateur.
- Soyez attentif et arrêtez le produit immédiatement si des enfants pénètrent dans la zone de travail. Soyez très prudent à l'approche de coins, de buissons, d'arbres ou de tout autre objet qui empêche d'avoir une vue dégagée.
- Observez la plus grande prudence près de coins, de buissons, d'arbres et de tout autre obstacle bloquant la visibilité et pouvant vous empêcher de voir un enfant.
- Avant et pendant que vous effectuez une marche arrière avec le produit, regardez derrière vous et vers le bas pour vérifier l'absence d'enfants en bas âge.
- Ne laissez pas des enfants utiliser la machine.
- Selon l'Académie américaine de pédiatrie, l'âge minimum pour l'utilisation d'une tondeuse autoportée est de 16 ans.

- Ne transportez pas d'enfants, même si le(s) lame(s) sont arrêtées. Les enfants pourraient tomber et se blesser grièvement ou encore gêner l'utilisation en toute sécurité du produit. Les enfants qui ont été autorisés par le passé à monter sur la machine risquent d'entrer sur la zone de tonte en espérant une promenade et d'être écrasés ou fauchés par le produit.

Instructions de sécurité pour le fonctionnement



AVERTISSEMENT: Lisez les instructions qui suivent avant d'utiliser le produit.

- N'utilisez pas la tondeuse si le collecteur n'est pas complètement installé.
- N'utilisez pas la tondeuse avec le système de ramassage sans avoir installé les poids à l'avant.
- Assurez-vous que toutes les pièces mobiles s'arrêtent avant d'ouvrir le système de ramassage.
- Assurez-vous que toutes les pièces mobiles s'arrêtent avant de retirer l'herbe coincée dans le système de ramassage.
- Débarrassez la zone de travail d'objets tels que des pierres, des jouets ou encore des câbles risquant d'être happés et éjectés par les lames de la machine.
- Seuls des adultes responsables peuvent utiliser le produit.
- Avant de commencer à tondre, vérifiez que personne ni aucun animal ne se trouve dans la zone de travail. Arrêtez le produit dès qu'une personne entre dans la zone de travail.
- Ralentissez avant de tourner.
- Réduisez la vitesse avant de prendre un virage.
- Désengagez les lames lorsque le produit ne tond pas.
- Fermez le couvercle du collecteur avant de démarrer le produit.
- Désengagez les lames de la tondeuse lorsque vous déplacez le produit dans des zones où des objets projetés peuvent être dangereux.
- N'essayez pas de ramasser les objets susceptibles d'être projetés du système de ramassage.
- Portez des protections pour les yeux lorsque vous utilisez le produit. Les objets projetés peuvent entraîner des blessures oculaires.
- Assurez-vous que les bacs de ramassage sont vides après chaque utilisation et avant le remisage. L'herbe restante dans les bacs de ramassage peut entraîner une combustion spontanée, ce qui pourrait déclencher un incendie.
- Les statistiques montrent que les utilisateurs âgés de 60 ans ou plus sont impliqués dans un grand nombre de blessures liées à

l'utilisation d'une tondeuse. Ces conducteurs doivent évaluer leur capacité à utiliser la tondeuse autoportée en toute sécurité pour pouvoir se protéger et protéger les autres contre toute blessure.

Consignes de sécurité avant l'installation du système de ramassage



AVERTISSEMENT: lisez les instructions qui suivent avant d'utiliser le produit.

- Stationnez le produit sur une surface plane.
- Serrez le frein de stationnement.
- Placez les leviers de commande en position neutre.
- Coupez le moteur et retirez la clé de contact.
- Assurez-vous que toutes les pièces mobiles s'arrêtent avant d'installer le système de ramassage.

Instructions de sécurité pour utilisation en pente



AVERTISSEMENT: Lisez les instructions qui suivent avant d'utiliser le produit.

Les pentes font partie des principaux facteurs d'accident. L'utilisation en pente exige la plus grande prudence.

- Déplacez-vous dans la direction recommandée par le constructeur sur les pentes. Faites preuve de prudence lors de l'utilisation à proximité de ruptures de pente.
- Évitez de tondre de l'herbe mouillée. Les pneus risquent de patiner.
- N'utilisez en aucun cas le produit lorsque la traction, la direction ou la stabilité sont remises en question. Les pneus peuvent glisser même si les roues sont arrêtées.
- Gardez toujours le levier de vitesse engagé dans les descentes. Ne laissez pas la machine avancer en roue libre dans une descente.
- Évitez de démarrer et de vous arrêter dans une pente. Éviter de faire des changements brusques de vitesse ou de direction. Prenez les virages lentement et progressivement.
- Si les roues commencent à patiner, désengagez les lames et descendez doucement la pente en ligne droite.
- Redoublez de prudence si vous utilisez le produit avec un collecteur d'herbe ou d'autres accessoires. Ils peuvent altérer la stabilité du produit.
- La tonte d'herbe sur des terrains en pente accroît le risque que vous perdiez le contrôle du

produit et qu'il se retourne. Cela peut provoquer des blessures graves, voire mortelles. Il est nécessaire de tondre l'herbe avec précaution sur les pentes. Si vous ne pouvez pas remonter une pente en marche arrière ou si vous ne vous sentez pas en sécurité, ne procédez pas à la tonte.

- Retirez les obstacles tels que les pierres et les branches.
- Coupez l'herbe sur la pente de haut en bas, et non d'un côté à l'autre.
- Ne faites pas fonctionner la machine sur un sol dont la pente est supérieure à 10°.
- Sur un terrain en pente, déplacez la machine lentement et sans à-coups.
- Identifiez et ne passez pas avec la machine au-dessus de sillons, de trous ou de bosses. Il y a plus de risque que la machine se retourne lorsque le sol n'est pas plat. L'herbe haute peut cacher des obstacles.
- Ne tondez pas d'herbe à proximité de bordures, de fossés ou de talus. Maintenez ces dangers à une distance au moins équivalente à la largeur de la machine. La machine risque de soudainement se renverser si une roue atteint le bord d'une pente raide ou d'un fossé, ou si un bord cède.

Instructions de sécurité pour l'entretien



AVERTISSEMENT: lisez les instructions qui suivent avant d'utiliser le produit.



AVERTISSEMENT: Le produit est lourd et peut provoquer des blessures ou endommager des biens ou la zone adjacente. N'effectuez pas l'entretien du moteur ou du carter de coupe sans que ces conditions ne soient remplies :

- Le moteur est coupé.
- La machine est garée sur un sol plat.
- Le frein de stationnement est serré.
- La clé de contact est en position d'arrêt et retirée.
- Les lames sont désengagées.
- Toutes les pièces mobiles sont arrêtées.
- Les câbles d'allumage sont débranchés des bougies.



AVERTISSEMENT: Un liquide s'échappant sous pression peut avoir une force suffisante pour pénétrer sous la peau et provoquer des blessures graves. En cas d'injection de liquide sous la peau, consultez immédiatement

un médecin. Tenez-vous ainsi que vos mains à l'écart des trous d'axe ou des buses d'où s'échappe un liquide sous haute pression. En cas de fuite, faites réparer immédiatement le produit par un technicien qualifié.



AVERTISSEMENT: Les gaz d'échappement du moteur contiennent du monoxyde de carbone, un gaz inodore, toxique et très dangereux. Ne faites pas fonctionner le produit dans des endroits clos ou dans lesquels le débit d'air n'est pas suffisant.

- Maintenez le produit en bon état de fonctionnement. Remplacez les pièces usées ou endommagées.

Faites preuve de prudence lors de l'entretien des lames. Enveloppez la ou les lames ou portez des gants. Remplacez les lames endommagées. Ne réparez pas et ne modifiez pas les lames.

Le cas échéant, débranchez le(s) fil(s) de bougie et le câble négatif de la batterie avant d'effectuer toute réparation.

Pour de meilleures performances et des raisons de sécurité, procédez à l'entretien de la

machine régulièrement, comme indiqué dans le schéma d'entretien. Reportez-vous à la section *Calendrier d'entretien* à la page 95.

- Des décharges électriques peuvent causer des blessures. Ne touchez pas les câbles lorsque le moteur tourne. Ne testez pas le fonctionnement du système d'allumage avec vos doigts.
- Laissez la machine refroidir avant de procéder à des tâches d'entretien à proximité du moteur.
- Les lames sont tranchantes et présentent un risque de coupures. Enroulez des protections autour des lames ou utilisez des gants de protection lorsque vous manipulez les lames.
- Ne retournez pas le moteur si la bougie ou le câble d'allumage ont été retirés.
- Assurez-vous que tous les écrous et boulons sont correctement serrés et que l'équipement est en bon état.
- Ne changez pas le réglage des régulateurs. Si la vitesse du moteur est trop élevée, cela peut endommager les composants du produit.
- La machine est homologuée uniquement avec l'équipement fourni ou recommandé par le fabricant.
- Pour toute réparation, utiliser exclusivement des pièces de rechange originales. L'utilisation d'autres pièces annule la garantie.

Installation

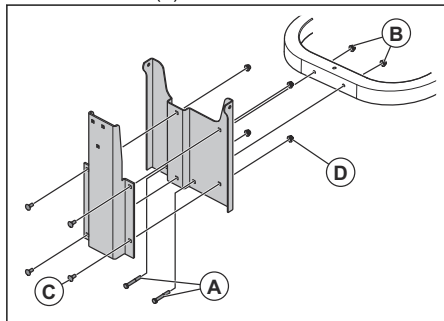
Introduction



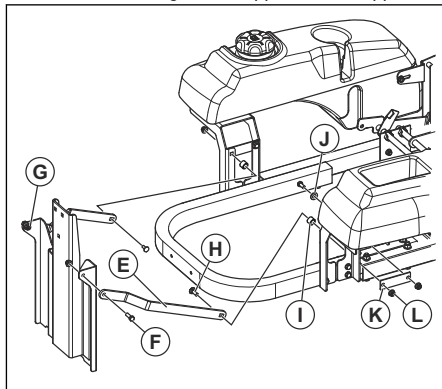
AVERTISSEMENT: assurez-vous de lire et de comprendre le chapitre dédié à la sécurité avant d'installer le produit.

Pour installer le support du collecteur

1. Installez le support sur le châssis à l'aide de 2 boulons hexagonaux 5/16-18x2-1/4 (A) et de 2 écrous 5/16 (B).



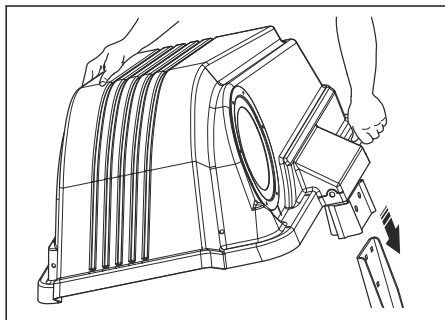
2. Installez le support de suspension sur le support à l'aide de 4 boulons de carrosserie 5/16-18x3/4 (C) et de 4 écrous 5/16 (D).
3. Installez les sangles de support sur le support.



4. Installez les sangles (E) sur le support à l'aide de deux boulons de carrosserie 5/16-18x1-1/4 (F) et de deux écrous 5/16 (G).
5. Installez les sangles sur les supports du réservoir à l'aide de 4 boulons hexagonaux 5/16-18x1 (H), 2 entretoises (I), 2 rondelles (J), 2 plaques de renfort (K) et 4 écrous 5/16 (L).

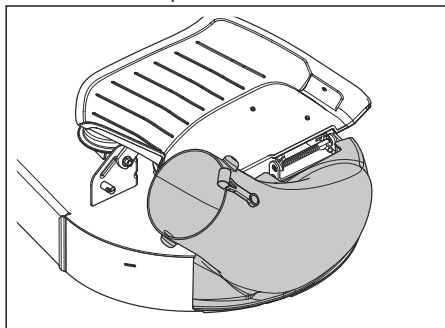
Pour installer le capot du collecteur

1. Installez le support du collecteur. Reportez-vous à la section *Pour installer le support du collecteur* à la page 93.
2. Placez le capot du collecteur sur le support du collecteur.



Pour installer la goulotte d'éjection latérale

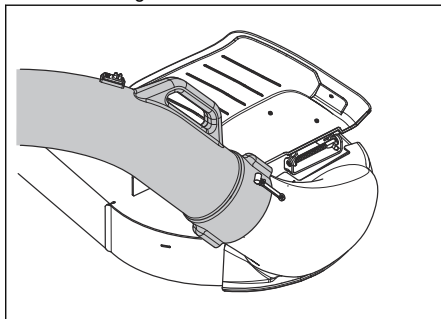
1. Soulevez le couvercle d'éjection latérale.
2. Placez la goulotte d'éjection latérale autour du support du couvercle.
3. Fixez les verrous de la goulotte d'éjection latérale au carter de coupe.



Pour installer la goulotte du collecteur

1. Placez la goulotte du collecteur sur la goulotte d'éjection latérale.

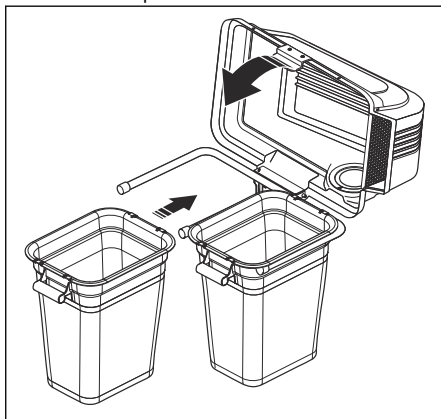
2. Fixez la sangle.



3. Placez la goulotte du collecteur dans l'ouverture du capot du collecteur.

Pour installer les bacs

1. Inclinez le capot du collecteur.
2. Placez les 2 bacs sur le cadre de support.
3. Fermez le capot du collecteur.

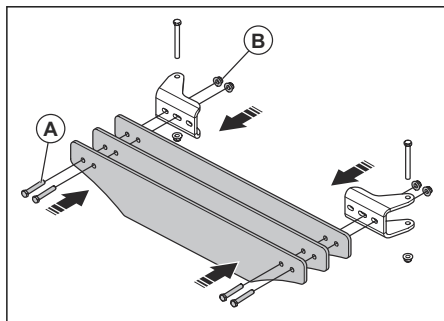


Pour installer le poids à l'avant

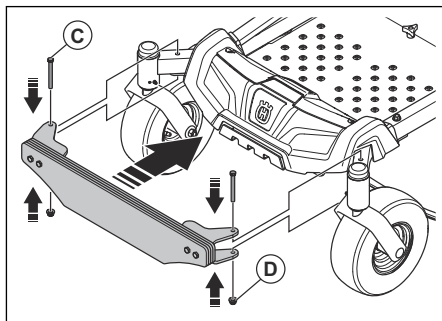


AVERTISSEMENT: N'utilisez pas le système de ramassage sans poids à l'avant.

1. Installez les plaques de poids avant sur les supports à l'aide de 4 boulons hexagonaux 3/8-16x2-1/4 (A) et de 4 écrous 3/8 (B). Ne serrez pas complètement les écrous.



2. Alignez les trous des supports avec les trous du châssis.



3. Installez les boulons 3/8-16x3-1/2 (C) et les écrous 3/8 (D).
4. Serrez tous les écrous.

Utilisation

Introduction



AVERTISSEMENT: Avant d'utiliser le produit, vous devez lire et comprendre le chapitre sur la sécurité.

Pour utiliser le produit

- Respectez les instructions du manuel d'utilisation de la tondeuse.
- Faites tourner le moteur à plein régime lors de l'utilisation du système de ramassage.
- Déplacez le produit vers l'avant à faible vitesse pour obtenir de bonnes performances de tonte et de ramassage.
- Tondez l'herbe 2 fois si elle est haute et épaisse. La première tonte doit être à la hauteur de coupe la plus élevée, et la deuxième à la hauteur correcte.
- Utilisez le côté gauche de la tondeuse pour tondre à proximité d'objets.
- Ne tondez pas la pelouse lorsqu'elle est mouillée. L'herbe mouillée est plus susceptible d'obstruer le système de ramassage.
- Videz les bacs de ramassage si le système de ramassage ne ramasse pas l'herbe coupée. Assurez-vous que la goulotte du collecteur n'est pas obstruée si le problème persiste lorsque les bacs de ramassage sont vides.
- Arrêtez la tondeuse et assurez-vous que le système de ramassage n'est pas endommagé si vous heurtez un objet.
- Évitez que la goulotte du collecteur ne se torde.
- Ne laissez pas la goulotte du collecteur traîner sur les côtés des bâtiments ou sur d'autres surfaces dures.

Entretien

Introduction



AVERTISSEMENT: Avant d'effectuer des travaux d'entretien, vous devez lire et comprendre le chapitre sur la sécurité.

Calendrier d'entretien

* = Les instructions ne sont pas mentionnées dans ce manuel de l'opérateur.

X = Les instructions sont mentionnées dans ce manuel de l'opérateur.

O = Consultez le manuel du moteur pour obtenir des instructions.

Programme d'entretien pour l'opérateur

| Entretien | Entretien quotidien | Intervalle d'entretien en heures | | |
|--|--------------------------|----------------------------------|----|----|
| | Avant chaque utilisation | 5 | 25 | 50 |
| Contrôlez et nettoyez les bacs de ramassage. | X | X | | |
| Assurez-vous que les écrous et les vis sont serrés. | X | | | |
| Assurez-vous que la goulotte du collecteur est serrée. | X | | | |
| Nettoyez le produit. | | | | X |

Nettoyage du produit

- Utilisez une brosse pour enlever l'herbe et les matières indésirables sur le produit.

- Si nécessaire, utilisez un nettoyeur haute pression et un agent de nettoyage doux. N'utilisez pas une pression d'eau supérieure à 1000 psi (68,9 bar).

Dépannage

Programme de recherche de pannes

Si vous ne trouvez pas de solution à votre problème dans ce manuel de l'opérateur, contactez votre atelier spécialisé Husqvarna.

| Problème | Cause |
|--|--|
| Perte de débit d'air. | La goulotte du collecteur ou l'entrée du couvercle du collecteur sont obstruées. |
| | Le contenant est plein. |
| | Le matériau dans le collecteur provoque une obstruction. |
| Vibrations ou bruits inhabituels. | Un objet solide se trouve dans le collecteur. |
| | Vis ou écrous desserrés ou manquants. |
| Le couvercle du collecteur est difficile à fermer. | Les objets présents dans le collecteur bloquent le couvercle du collecteur. |
| | Les vis de la charnière du couvercle du collecteur sont trop serrées. |

Transport, entreposage et mise au rebut

Transport

- Ne remorquez pas le produit.
- La machine est lourde et peut causer des blessures par écrasement. Soyez prudent lorsque vous chargez ou déchargez la machine d'un véhicule ou d'une remorque.
- Chargez le produit en marche arrière sur des rampes approuvées pour un angle de

fonctionnement maximal de 10°. Ne soulevez pas le produit.

- Utilisez une remorque approuvée pour le transport de la machine.
- Assurez-vous d'avoir connaissance de la réglementation routière locale avant de transporter la machine dans une remorque ou sur les routes.

- Verrouillez le produit à l'aide de dispositifs approuvés, tels que des sangles. Utilisez des points d'arrimage sur le produit ou sur des zones appropriées du châssis. Le frein de stationnement n'est pas suffisant pour sécuriser le produit pendant son transport.

Remisage

Préparez le stockage du produit à la fin de la saison, et avant plus de 30 jours de stockage. Si vous conservez du carburant dans le réservoir pendant 30 jours ou plus, des particules collantes peuvent obstruer le carburateur. Cela impacte négativement le fonctionnement du moteur.

Afin d'éviter la formation de particules collantes durant la période d'entreposage, ajoutez un stabilisateur. Si vous utilisez de l'essence d'alkylate, il n'est pas nécessaire d'ajouter un stabilisateur. Si vous utilisez de l'essence normale, ne passez pas à l'essence d'alkylate. Cela peut provoquer le durcissement des pièces sensibles en caoutchouc. Ajoutez un stabilisateur au carburant présent dans le réservoir ou dans le récipient utilisé pour l'entreposage. Respectez toujours les rapports de mélange indiqués par le fabricant. Ajoutez le stabilisateur et faites tourner le moteur pendant au moins 10 minutes, jusqu'à ce que le carburant s'écoule dans le carburateur.



AVERTISSEMENT: Ne stockez pas le produit à l'intérieur ou dans un environnement mal aéré si du carburant se trouve dans le réservoir. Il existe un risque d'incendie si les vapeurs de carburant entrent en contact avec une flamme nue, des étincelles ou une flamme pilote de chaudière, de réservoir d'eau chaude, de sèche-linge, etc.



AVERTISSEMENT: Enlevez de la machine les résidus d'herbe, les feuilles et autres matériaux inflammables afin de réduire le risque d'incendie. Laissez la machine refroidir avant de la remiser.

- Nettoyez le produit, reportez-vous à la section *Nettoyage du produit à la page 96*.
- Déposez les matériaux indésirables du ventilateur de refroidissement.
- Retouchez la peinture en cas de dommage pour éviter la corrosion.
- Examinez la machine afin de repérer des pièces éventuellement usées ou endommagées et serrez tous les écrous ou vis susceptibles de s'être desserrés.
- Retirez la batterie. Nettoyez-la, chargez-la et laissez-la refroidir pendant la période de remisage.
- Remplacez l'huile moteur et mettez au rebut l'huile usagée.

- Videz le réservoir de carburant. Démarrez le moteur et laissez-le tourner jusqu'à ce qu'il n'y ait plus de carburant restant dans le carburateur.

Remarque: Ne videz pas le réservoir de carburant et le carburateur si vous avez ajouté un stabilisateur.

- Retirez les bougies et versez une cuillerée à soupe d'huile moteur dans chaque cylindre. Tournez l'arbre moteur pour appliquer l'huile et remettez les bougies en place.
- Lubrifiez tous les raccords de graissage, les joints et les arbres.
- Entreposez la machine dans un endroit propre et sec et recouvrez-la pour la protéger davantage.

Sadržaj

| | | | |
|------------------|-----|---|-----|
| Uvod..... | 98 | Održavanje..... | 104 |
| Sigurnost..... | 99 | Rješavanje problema..... | 104 |
| Instalacija..... | 102 | Prijevoz, spremanje i zbrinjavanje..... | 105 |
| Rad..... | 103 | | |

Uvod

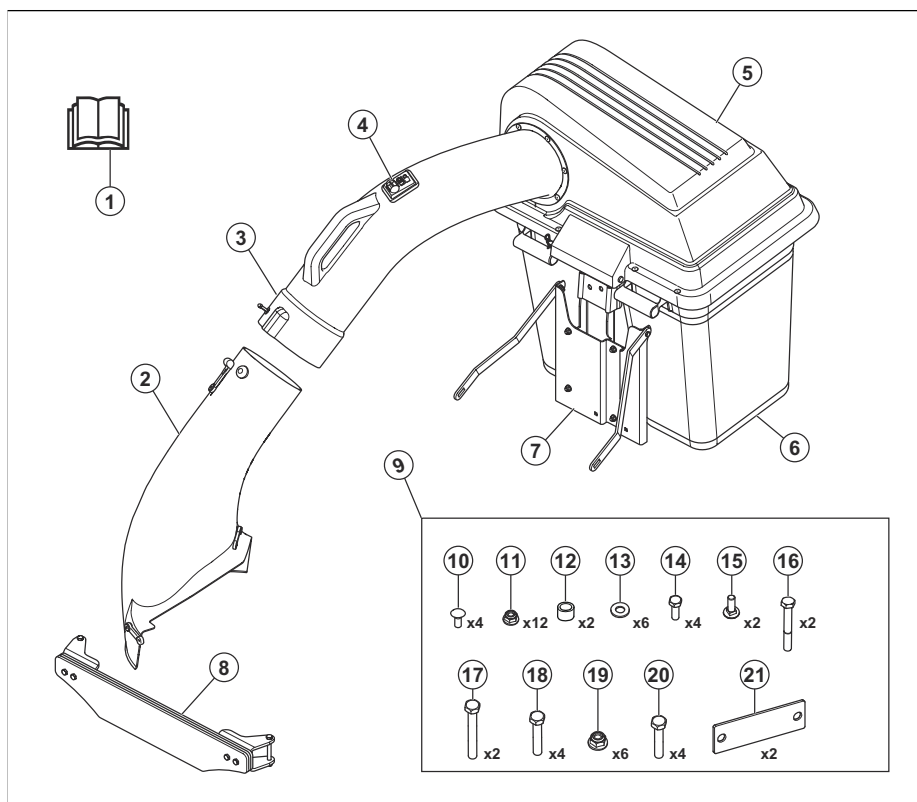
Opis proizvoda

Proizvod je sustav za sakupljanje trave. Sakupljena trava može se upotrijebiti kao kompost za travnjak ili biljne gredice, ili odložiti u otpad kao dvorišni otpad.

Namjena

Proizvod je izrađen za sakupljanje odsječaka trave tijekom košnje kako bi travnjak izgledao uredno. Proizvod nemojte upotrebljavati za druge zadatke.

Pregled proizvoda



1. Korisnički priručnik
2. Žlijeb za bočno pražnjenje
3. Žlijeb sakupljača
4. Indikator za punu vreću
5. Poklopac
6. Vreća
7. Nosač sakupljača
8. Prednji uteg
9. Vreća s opremom
10. Noseci vijak, 5/16-18x3/4
11. Matica, 5/16
12. Odstojnik
13. Podloška
14. Vijak sa šesterokutnom glavom, 5/16-18x1

15. Noseći vijak, 5/16-18x1-1/4
16. Vijak sa šesterokutnom glavom, 5/16-18x2-1/4
17. Vijak sa šesterokutnom glavom, 3/8-16x3-1/2
18. Vijak sa šesterokutnom glavom, 3/8-16x2-1/2
19. Matica, 3/8
20. Vijak sa šesterokutnom glavom, 3/8-16x2-1/4
21. Ploča za pojačanje

- proizvod nepravilno popravljen
- proizvod popravljen dijelovima koje nije proizveo proizvođač ili nemaju odobrenje proizvođača
- proizvod ima dodatnu opremu koje nije proizveo proizvođač ili nemaju odobrenje proizvođača
- proizvod nije popravljen u odobrenom servisnom centru ili kod ovlaštene osobe.

Oštećenje proizvoda

U sljedećim okolnostima nećemo biti odgovorni za oštećenja proizvoda:

Sigurnost

Sigurnosne definicije

Upozorenjima, oprezima i napomenama naglašavaju se posebno važni dijelovi priručnika.



UPOZORENJE: Koristi se kada nepoštivanje uputa iz priručnika može uzrokovati smrt ili ozljede rukovatelja ili promatrača.



OPREZ: Koristi se kada nepoštivanje uputa iz priručnika može uzrokovati oštećenje proizvoda ili drugih materijala u neposrednoj blizini.

Napomena: Koristi se prikaz neophodnih dodatnih informacija za zadanu situaciju.

Opće sigurnosne upute



UPOZORENJE: Prije upotrebe proizvoda pročitajte upozoravajuće upute u nastavku



UPOZORENJE: Ovaj proizvod može odrezati šake i stopala i odbaciti predmete. Nepoštovanje navedenih sigurnosnih uputa može izazvati ozbiljne ozljede ili smrt.



UPOZORENJE: Nepoštivanje mjera opreza u radu može uzrokovati ozbiljne ozljede rukovatelja i drugih osoba. Vlasnik mora usvojiti ove upute i dopustiti rad s kosilicom samo ovlaštenim osobama koje su usvojile upute. Svaka osoba koja upravlja kosilicom mora biti psihički i fizički zdrava i ne smije biti pod utjecajem tvari koje mijenjaju stanje uma.

- Pročitajte, usvojite i slijedite upute i upozorenja iz ovog dokumenta, korisničkog priručnika i te s proizvoda motora i priključnih strojeva.
- Ovim proizvodom smiju rukovati samo odgovorni i obučeni rukovatelji, upoznat i uputama i tjelesno sposobni za to.
- Obavijestite neku osobu da ćete raditi s proizvodom, kako bi ta osoba znala u slučaju da dođe do ozljede ili nezgode.
- Nemojte prevozite putnike i onemogućite pristup prolaznicima.
- Nemojte raditi s ovim proizvodom pod utjecajem alkohola ili lijekova.
- Slijedite preporuke proizvođača za utege na kotačima ili protutege.
- Naučite kako sigurno upotrebljavati proizvod i primjenjivati komande te kako ga brzo zaustaviti.
- Naučite prepoznavati sigurnosne naljepnice.
- Proizvod održavajte čistim kako biste mogli lako očitati znakove i naljepnice.
- Imajte na umu kako se rukovatelj smatra odgovornim za nezgode koje uključuju druge osobe ili njihovo vlasništvo.
- Proizvod koristite isključivo danju ili drugim dobro prozračenim uvjetima. Proizvod održavajte na sigurnoj udaljenosti od rupa ili drugih nepravilnosti na tlu. Potražite druge potencijalne opasnosti.
- Djeci ili drugim neovlaštenim osobama nemojte dopustiti upotrebu ili servisiranje proizvoda. Dob korisnika može biti regulirana lokalnim zakonima.
- Pri pokretanju motora, uključivanju pogona ili početku vožnje s proizvodom nitko drugi ne smije se zadržavati u blizini proizvoda.
- Pratite promet ako kosite u blizini prometnice ili ako se krećete preko nje.
- Proizvod nemojte upotrebljavati umorni, pod utjecajem alkohola ili lijekova, pod terapijom ili izloženi bilo čemu što negativno utječe na vaš vid, opreznost, sposobnost rasuđivanja ili koordinaciju.
- Proizvod obavezno parkirajte na ravnu površinu i s isključenim motorom.
- Bez proizvođačevog pristanka nemojte provoditi izmjene i nemojte montirati nestandardnu

opremu na jedinicu. Izmjene na jedinici mogu umanjiti sigurnost prilikom izvođenja radnji ili oštetiti jedinicu.

Sigurnosne upute za djecu



UPOZORENJE: Ovaj proizvod može teško ozlijediti ili ubiti djecu. Prije upotrebe proizvoda pročitajte upozoravajuće upute u nastavku. Držite djecu podalje.

- Ako rukovatelj ne pazi na prisutnost djece, može doći do tragičnih nesreća. Djecu često privlači ovaj proizvod i košnja. Nikada nemojte pretpostaviti da će djeca ostati tamo gdje ste ih posljednji put vidjeli.
- Djecu držite izvan radnog područja i pod nadzorom odgovorne odrasle osobe koja nije rukovatelj.
- Budite oprezni i ako djeca uđu u radno područje, odmah isključite proizvod. Posebno pažljivi budite u blizini uglova, grmlja, drveća i drugih predmeta koji vam umanjuju preglednost.
- Budite posebno pažljivi pri približavanju slijepim uglovima, grmlju, drveću ili drugim predmetima koji mogu blokirati pogled na dijete.
- Prije i tijekom pomicanja proizvoda unatrag gledajte iza sebe i dolje zbog male djece.
- Djeci nemojte dopustiti rad s proizvodom.
- Po preporuci Američke pedijatrijske akademije pogon kosilice za vožnju ne treba dopustiti djeci mlađoj od 16 godina.
- Nikada nemojte voziti djecu, čak i s isključenim noževima. Djeca bi mogla pasti i ozbiljno se ozlijediti ili omesti siguran rad proizvoda. Djeca koja su se nedavno vozila na stroju mogla bi se iznenada pojaviti u području košnje kako bi se ponovno vozila. U tom biste ih slučaju mogli pregaziti ili ozlijediti pri vožnji proizvoda unatrag.

Sigurnosne upute za rad



UPOZORENJE: Prije upotrebe proizvoda pročitajte upozoravajuće upute u nastavku.

- Kosilicu nemojte pogoniti ako sakupljač nije potpuno instaliran.
- Nemojte pogoniti kosilicu sa sustavom za sakupljanje trave ako nisu ugrađeni prednji utezi.
- Prije otvaranja sustava za sakupljanje provjerite jesu li se zaustavili svi pokretni dijelovi.
- Prije uklanjanja zaglavljene trave iz sustava za sakupljanje provjerite jesu li se zaustavili svi pokretni dijelovi.
- Očistite područje od kamenja, igraćaka, žica i sličnih predmeta koje noževi mogu zahvatiti i odbaciti.
- Rukovanje proizvodom dopustite samo odgovornim odraslim osobama.

- Prije košnje provjerite jesu li sve druge osobe i ljubimci napustili područje. Ako bilo tko uđe u područje, zaustavite proizvod.
- Smanjite brzinu prije okretanja.
- Smanjite brzinu prije skretanja.
- Kada proizvodom ne kosite, isključite noževe.
- Prije pokretanja proizvoda zatvorite sakupljač.
- Kada proizvodom prelazite preko područja u kojem može doći do opasnog odbacivanja predmeta, isključite noževe kosilice.
- Nemojte pokušavati sakupiti predmete koji mogu biti izbačeni iz sustava za sakupljanje.
- Tijekom upotrebe proizvoda nosite zaštitu za oči. Odbačeni predmeti mogu uzrokovati ozljedu očiju.
- Nakon svake upotrebe te prije skladištenja provjerite jesu li vreće za sakupljanje prazne. Trava preostala u vrećama za sakupljanje može rezultirati spontanom zapaljenjem te može uzrokovati požar.
- Podaci pokazuju kako visok postotak rukovatelja starijih od 60 godina doživljavaju ozljede pri radu s kosilicama za vožnju. Ti rukovatelji trebaju procijeniti mogu li dovoljno sigurno upravljati kosilicom za vožnju radi vlastite zaštite i zaštite drugih od ozljeda.

Sigurnosne upute za ugradnju sustava za sakupljanje



UPOZORENJE: Prije upotrebe proizvoda pročitajte upozoravajuće upute u nastavku.

- Parkirajte na ravnom tlu.
- Primijenite parkirnu kočnicu.
- Upravljačke ručice postavite u neutralni položaj.
- Zaustavite motor i uklonite ključ paljenja.
- Prije ugradnje sustava za sakupljanje provjerite jesu li se zaustavili svi pokretni dijelovi.

Sigurnosne upute za rad na nagibima



UPOZORENJE: Prije upotrebe proizvoda pročitajte upozoravajuće upute u nastavku.

Kosine su važan čimbenik za nezgode. Rad na kosinama zahtijeva iznimnu pozornost.

- Kosine savladavajte u smjerovima koje preporučuje proizvođač. Budite pažljivi nada radite blizu rubova.
- Izbjegavajte košnju mokre trave. Gume mogu proklizati.
- Nemojte upravljati proizvodom u uvjetima u kojima su upitni prijanjanje, upravljanje ili stabilnost. Gume bi mogle proklizati ako zaustavite kotače.

- Pri spuštanju niz strminu na proizvodu uvijek mora primijenjen stupanj prijenosa. Nizbrdo se nemojte spuštati bez opterećenja motora.
- Izbjegavajte pokretanje ili zaustavljanje na kosinama. Izbjegavajte nagle promjene brzine ili smjera. Skrećite polako i postupno.
- Ako gume prokližu, isključite noževe i polako nastavite po pravcu nizbrdo.
- Posebno pažljivi budite tijekom rada s proizvodom s hvatačem trave ili drugim priključnim strojevima. Oni mogu utjecati na stabilnost proizvoda.
- Rezanje trave na nagibima povećava opasnost od gubitka kontrole nad proizvodom te prevrtanja. To može uzrokovati ozljede ili smrt. Rezanje trave na svim nagibima zahtijeva opreznost. Ako nagib ne možete savladati vozeći unatrag ili ako se ne osjećate sigurnima, nemojte ga kositi.
- Uklonite kamenje, grane i druge prepreke.
- Travu režite uz i niz nagib, ne s jedne strane na drugu.
- Proizvod nemojte koristiti na tlu s nagibima većim od 10°.
- Po nagibima obavezno vozite uglađeno i polako.
- Pazite na brazde, rupe te izbočine i nemojte prelaziti preko njih. Na neravnom tlu postoji velika opasnost od prevrtanja proizvoda. Visoka trava može sakrivati prepreke.
- Travu nemojte rezati blizu rubova, jaraka ili obala. Držite razmak u širini stroja od tih opasnosti. Proizvod se iznenada može preokrenuti ako jedan kotač prijeđe preko ruba strmog nagiba ili jarka, ili ako dođe do popuštanja ruba.

- Kabeli paljenja uklonjeni su sa svjećica.



UPOZORENJE: Ulje ispušteno pod tlakom može biti dovoljno snažno da proдре u kožu i uzrokuje ozbiljne ozljede. Ako dođe do ubrizgavanja tekućine u kožu, odmah zatražite liječničku pomoć. Tijelo i ruke držite podalje od malih probušenih otvora ili mlaznica iz kojih se istiskuje tekućina pod visokim tlakom. Ako dođe do propuštanja, proizvod odmah servisirajte kod obučenog tehničara.



UPOZORENJE: Ispušni plinovi iz motora sadrže ugljikov monoksid, vrlo opasan otrovni plin bez mirisa. Proizvod nemojte pokretati u zatvorenim prostorima ili prostorima bez dovoljnog protoka zraka.

- Održavajte proizvod u dobrom radnom stanju. Zamijenite istrošene ili oštećene dijelove.

Budite pažljivi pri servisiranju noževa. Omotajte noževe ili nosite rukavice. Zamijenite oštećene noževe. Noževe nemojte popravljati ili izmjenjivati.

Ako je proizvod opremljen svjećicama, prije svih popravaka odvojite žice svjećica i negativni kabel baterije.

Za najbolji učinak i sigurnost proizvod održavajte redovito, sukladno rasporedu održavanja. Pogledajte *Raspored održavanja na stranici 104*.

- Strujni udari mogu uzrokovati ozljede. Nemojte dodirivati kabele kada je motor uključen. Ispravnost sustava paljenja nemojte ispitivati prstima.
- Prije održavanja u blizini motora pričekajte da se proizvod ohladi.
- Noževi su oštri i mogu uzrokovati posjekotine. Tijekom rada oko noževa omotajte ih za zaštitu ili nosite zaštitne rukavice.
- Nemojte preokretati motor ako je uklonjena svjećica ili kabel paljenja.
- Provjerite jesu li sve matice i vijci pravilno zategnuti te je li oprema u dobrom stanju.
- Nemojte mijenjati postavke regulatora. Pri previsokom broju okretaja motora može doći do oštećenja komponenti proizvoda.
- Proizvod ima odobrenje samo uz opremu koju je isporučio ili preporučio proizvođač.
- Za popravak upotrebljavajte samo originalne dijelove. Upotrebom drugih dijelova poništavate jamstvo.

Sigurnosne upute za održavanje



UPOZORENJE: Prije upotrebe proizvoda pročitajte upozoravajuće upute u nastavku.



UPOZORENJE: Ovaj je proizvod težak i može uzrokovati ozljede ili oštećenja imovine ili susjednih površina. Održavanje motora ili reznog kućišta nemojte izvoditi ako nisu ispunjeni sljedeći uvjeti:

- Motor je isključen.
- Proizvod je parkiran na ravnoj površini.
- Primijenjena je parkirna kočnica.
- Ključ paljenja je u položaju za zaustavljanje i uklonjen.
- Noževi su isključeni.
- Svi pokretni dijelovi zaustavljeni su.

Instalacija

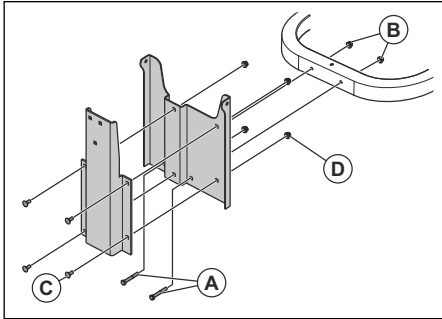
Uvod



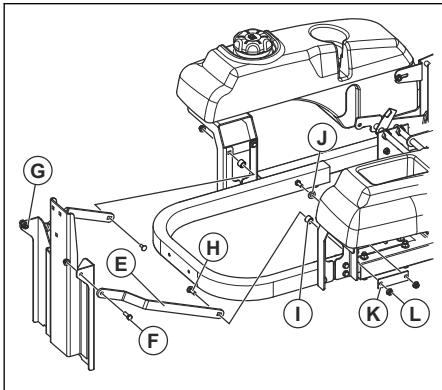
UPOZORENJE: Prije instalacije proizvoda s razumijevanjem pročitajte poglavlje o sigurnosti.

Ugradnja nosača sakupljača

1. Montirajte nosač sakupljača na okvir s vijcima za šestorokutnom glavom 2x 5/16-18x2-1/4 (A) te maticama 2x 5/16 (B).



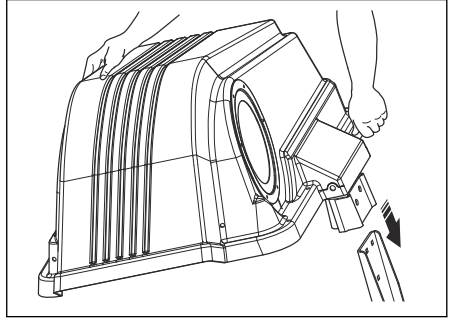
2. Montirajte nosač vješalice na potporni nosač s nosećim vijcima 4x 5/16-18x3/4 (C) te maticama 4x 5/16 (D).
3. Na potporni nosač postavite potporne trake.



4. Montirajte trake (E) na potporni nosač s nosećim vijcima 2x 5/16-18x1-1/4 (F) te maticama 2x 5/16 (G).
5. Montirajte trake na nosače na spremniku s vijcima sa šestorokutnom glavom 4x 5/16-18x1 (H), odstožnicima 2x (I), podloškama 2x (J), pločama za pojačanje 2x (K) i maticama 4x 5/16 (L).

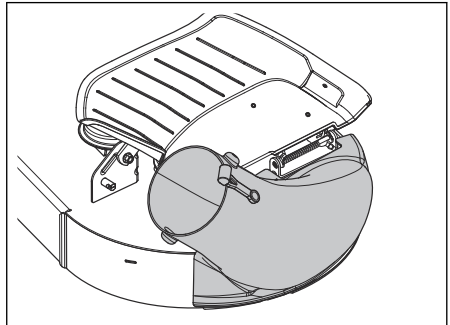
Ugradnja poklopca sakupljača

1. Montirajte nosač sakupljača. Pogledajte *Ugradnja nosača sakupljača na stranici 102.*
2. Poklopac sakupljača postavite na nosač sakupljača.



Ugradnja žlijeba za bočno pražnjenje

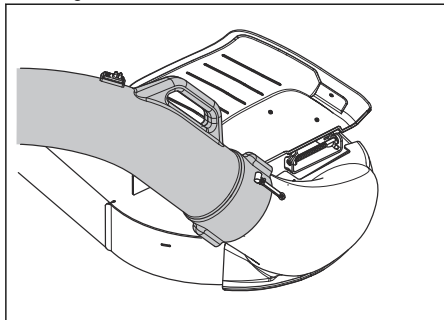
1. Podignite poklopac za bočno pražnjenje.
2. Žlijeb za bočno pražnjenje postavite oko nosača poklopca.
3. Zasune žlijeba za bočno pražnjenje pričvrstite za rezno kućište.



Ugradnja žlijeba sakupljača

1. Žlijeb sakupljača postavite na žlijeb za bočno pražnjenje.

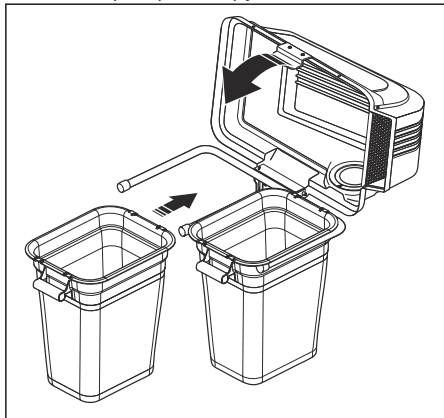
2. Zategnite traku.



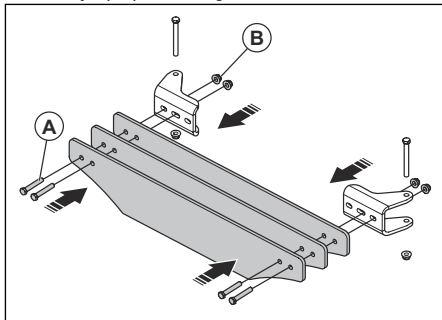
3. Žlijeb sakupljača postavite u otvor na poklopcu sakupljača.

Postavljanje vreća

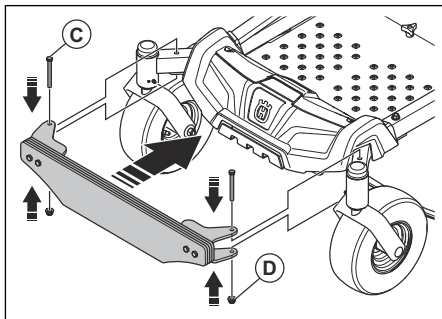
1. Nagnite poklopac sakupljača.
2. Postavite dvije vreće na potporni nosač.
3. Zatvorite poklopac sakupljača.



1. Montirajte ploče prednjeg utega na nosače s vijcima za šesterokutnom glavom 4x 3/8-16x2-1/4 (A) te maticama 4x 3/8 (B). Vijke nemojte potpuno zategnuti.



2. Otvore na nosačima poravnajte s otvorima na okviru.



3. Postavite vijke 3/8-16x3-1/2 (C) i matice 3/8 (D).
4. Zategnite sve matice.

Ugradnja prednjeg utega



UPOZORENJE: Sustav za sakupljanje nemojte upotrebljavati bez prednjih utega.

Rad

Uvod



UPOZORENJE: Prije rada s proizvodom morate pročitati i usvojiti poglavlje o sigurnosti.

Rad s proizvodom

- Slijedite upute za rad iz korisničkog priručnika za kosilicu.

- Kada upotrebljavate sustav za sakupljanje, motor pogonite punom brzinom.
- Za dobar ishod košnje i sakupljanja proizvod niskom brzinom vozite prema naprijed.
- Ako je trava visoka u gusta, kosite je dvaput. Prvu košnju morate provesti na najvišoj visini rezanja, a drugu na pravilnoj visini.
- Uz objekte kosite s lijevom stranom kosilice.

- Nemojte kositi mokar travnjak. Vjerojatnost začepjenja sustava za sakupljanje veća je kada je trava mokra.
- Ako sustav za sakupljanje ne skuplja travu, ispraznite vreće za sakupljanje. Ako se problem ne ukloni pražnjenjem vreća, provjerite je li žlijeb sakupljača prohodan.

- Ako udarite u nepričvršćeni predmet, zaustavite kosilicu i provjerite je li sustav za sakupljanje neoštećen.
- Spriječite izvijanje žlijeba sakupljača.
- Izbjegavajte struganje žlijebom sakupljača po zidovima zgrada ili drugim tvrdim površinama.

Održavanje

Uvod



UPOZORENJE: Prije održavanja morate pročitati i usvojiti poglavlje o sigurnosti.

X = upute se nalaze u ovom korisničkom priručniku.

O = upute potražite u priručniku za motor.

Raspored održavanja za rukovatelja

Raspored održavanja

* = upute se ne nalaze u ovom korisničkom priručniku.

| Održavanje | Dnevno održavanje | Razdoblje održavanja u satima | | |
|--|-------------------|-------------------------------|----|----|
| | Prije upotrebe | 5 | 25 | 50 |
| Pregledajte i očistite vreće za sakupljanje. | X | X | | |
| Provjerite jesu li matice i vijci zategnuti. | X | | | |
| Provjerite je li žlijeb sakupljača zategnut. | X | | | |
| Očistite proizvod. | | | | X |

Čišćenje proizvoda

- Nepoželjni materijal i travu s proizvoda uklonite četkom.

- Ako je potrebno, upotrijebite visokotlačni perač i slabo sredstvo za čišćenje. Nemojte prekoračivati tlak vode od 1000 psi (68,9 bar).

Rješavanje problema

Raspored rješavanja problema

Ako rješenje problema ne možete pronaći u ovom korisničkom priručniku, obratite se servisnom agentu tvrtke Husqvarna.

| Problem | Uzrok |
|---------------------------------------|---|
| Gubitak protoka zraka. | Neprohodan žlijeb sakupljača ili ulaz poklopca sakupljača. |
| | Spremnik je pun. |
| | Tkanina u sakupljaču je neprohodna. |
| Neuobičajene vibracije ili buka. | U sakupljaču je kruti predmet. |
| | Otpušteni ili izgubljeni vijci ili matice. |
| Poklopac sakupljača teško se zatvara. | Predmeti u sakupljaču uzrokuju blokadu poklopca sakupljača. |
| | Vijci šarke poklopca sakupljača prejako su zategnuti. |

Prijevoz, spremanje i zbrinjavanje

Transportiranje

- Proizvod nemojte vući.
- Proizvod je težak i uslijed prignječenja može uzrokovati ozljede. Budite pažljivi prilikom utovara na ili istovara s vozila ili prikolice.
- Proizvod utovarite pomicanjem unatrag preko odobrenih rampi pod najvećim kutom od 10°. Proizvod nemojte podizati.
- Upotrebljavajte prikolicu s odobrenjem za prijevoz proizvoda.
- Prije prijevoza proizvoda u prikolici ili vožnje po prometnicama upoznajte se s lokalnim prometnim propisima.
- Pričvrstite proizvod odgovarajućim sredstvima, primjerice trakama. Iskoristite točke za povezivanje na proizvodu ili primjenjive površine na okviru. Parkirna kočnica nije dovoljna za osiguranje proizvoda tijekom transportiranja.

Skladištenje

Proizvod pripremite za skladištenje na kraju sezone i prije svakog skladištenja duljeg od 30 dana. Ako u spremniku za gorivo držite gorivo 30 dana ili dulje, ljepljive čestice mogu uzrokovati začepljenja u rasplinjaču. To negativno utječe na rad motora.

Za sprječavanje nastanka ljepljivih čestica tijekom skladištenja dodajte stabilizator. Ako upotrebljavate alkilatni benzin, stabilizator nije potreban. Ako upotrebljavate standardni benzin, nemojte ga zamijeniti alkilatnim benzinom. To može uzrokovati otvrdnjavanje osjetljivih gumenih dijelova. Stabilizator ulijte u gorivo u spremniku goriva ili u spremnik za skladištenje. Obavezno koristite omjere miješanja prema uputama proizvođača. Dodajte stabilizator i pogonite motor najmanje 10 minuta, sve dok gorivo ne poteče u rasplinjač.



UPOZORENJE: Proizvod s gorivom u spremniku nemojte držati u zatvorenom prostoru ili u prostorima s lošim protokom zraka. Ako gorivo dospje u blizinu otvorenog plamena, iskri ili lampica poput onih na bojlerima, spremnicima vruće vode i sušilima za rublje, postoji opasnost od požara.



UPOZORENJE: S proizvoda uklonite travu, lišće i druge zapaljive materijale kako biste smanjili opasnost od požara. Prije skladištenja pričekajte na hlađenje proizvoda.

- Očistite proizvod, pogledajte *Čišćenje proizvoda na stranici 104*.
- Uklonite nepoželjni materijal s rashladnog ventilatora.

- Popravite oštećenja boje kako biste spriječili koroziju.
- Pregledajte ima li na proizvodu istrošenih ili oštećenih dijelova i zategnite nepričvršćene vijke i matice.
- Izvadite bateriju. Očistite ju, napunite i skladištite na hladnom.
- Zamijenite motorno ulje i otpadno ulje zbrinite u otpad.
- Ispraznite spremnik za gorivo. Pokrenite motor i pogonite ga dok je ispraznite gorivo iz rasplinjača.

Napomena: Ako ste dodali stabilizator, nemojte prazniti spremnik goriva i rasplinjač.

- Izvadite svječice i ulijte žličicu motornog ulja u svaki cilindar. Ručno okrenite vratilo motora kako biste nanijeli ulje te uvijte svječice.
- Podmažite sve mazalice, zglobove i osovine.
- Proizvod spremite na čisto i suho mjesto i pokrijte ga radi dodatne zaštite.

TARTALOMJEGYZÉK

| | | | |
|------------------|-----|--|-----|
| Bevezető..... | 106 | Karbantartás..... | 112 |
| Biztonság..... | 107 | Hibaelhárítás..... | 113 |
| Telepítés..... | 110 | Szállítás, tárolás és ártalmatlanítás..... | 113 |
| Üzemeltetés..... | 112 | | |

Bevezető

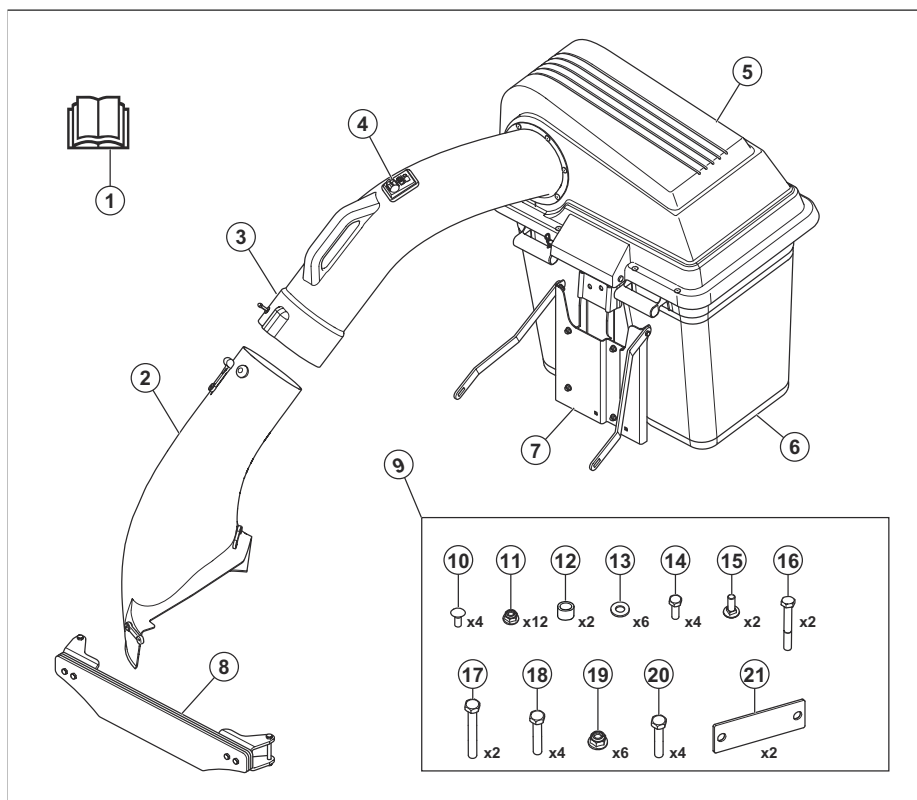
Termékleírás

Ez a termék egy fűgyűjtő rendszer. Az összegyűjtött fű felhasználható komposztként a gyepen vagy a növényágásokban, vagy kidobható kerti hulladékként.

Rendeltetésszerű használat

Ez a termék a fűnyírás során a fűnyesedék összegyűjtésére szolgál, hogy a gyep ápolat megjelenést kapjon. Ne használja a terméket egyéb feladatokra.

A termék áttekintése



- 13. Alátét
- 14. Hatlapfejú csavar, 5/16-18x1
- 15. Kapupánt csavar, 5/16-18x1-1/4
- 16. Hatlapfejú csavar, 5/16-18x2-1/4
- 17. Hatlapfejú csavar, 3/8-16x3-1/2
- 18. Hatlapfejú csavar, 3/8-16x2-1/2
- 19. Anya, 3/8
- 20. Hatlapfejú csavar, 3/8-16x2-1/4
- 21. Merevítő lemez

- a termék javítását helytelenül végezték;
- a termék javítása nem a gyártótól származó vagy általa jóváhagyott alkatrészekkel történt;
- a terméket nem a gyártótól származó vagy általa jóváhagyott kiegészítővel szerelték fel;
- a termék javítását nem hivatalos szakszerviz vagy jóváhagyott egyéb szerviz végezte.

A termék károsodása

A termékben keletkezett károkért nem vállalunk felelősséget, amennyiben:

Biztonság

Biztonsági meghatározások

A figyelmeztetések, óvintézkedések és megjegyzések a használati utasítás kiemelten fontos részeire hívják fel a figyelmet.



FIGYELMEZTETÉS: Akkor használatos, ha a kézikönyv utasításainak be nem tartása esetén fennáll a kezelő vagy a közelben tartózkodók sérülésének vagy halálának veszélye.



VIGYÁZAT: Akkor használatos, ha a kézikönyv utasításainak be nem tartása esetén fennáll a vagyoni kár, illetve a termék vagy a környező terület károsodásának veszélye.

Megjegyzés: További információt biztosít az adott helyzetben szükséges tennivalókról.

Általános biztonsági utasítások



FIGYELMEZTETÉS: A termék használata előtt olvassa el az alábbi figyelmeztetéseket



FIGYELMEZTETÉS: Ezzel a termékkel a kezét és lábát is le lehet vágni, és képes tárgyak szétdobálására. Az alábbi biztonsági utasítások be nem tartása komoly sérülést vagy halálesetet idézhet elő.



FIGYELMEZTETÉS: Amennyiben nem a körültekintő üzemeltetési gyakorlatoknak megfelelően járnak el, az a kezelő és más személyek veszélyes sérüléséhez vezethet. A tulajdonosnak meg

kell értenie ezen utasításokat, és kizárólag jóváhagyással rendelkező, az utasításokkal tisztában lévő személyek számára engedélyezheti a fűnyíró használatát. A fűnyíró kezelő minden személynek szellemileg és testileg épnek kell lennie, és nem állhatnak kábító hatású szerek befolyásolása alatt.

- Olvassa el, értse meg és tartsa be a jelen dokumentumban, a kezelői kézikönyvben, valamint a terméken, a motoron és a tartozékokon található utasításokat és figyelmeztetéseket.
- Csak a használati utasítást ismerő, képzett, felelősségteljes és megfelelő fizikai képességekkel rendelkező kezelőnek engedje a termék működtetését.
- Feltétlenül tájékoztasson egy személyt arról, hogy a géppel fog dolgozni, hogy sérülés vagy baleset esetén segítségére siessenek.
- Ne szállítson utasokat, és a bármézőkódot tartsa távol.
- Ne üzemeltesse a gépet, ha alkohol vagy kábítószer befolyása alatt áll.
- A keréksúlyok és ellensúlyok tekintetében a gyártó ajánlásainak megfelelően járjon el.
- Ismerje meg, hogyan használja a terméket és kezelőszerveit biztonságosan, és tanulja meg, hogyan állhat meg gyorsan.
- Tanulja meg a biztonsági címkék felismerését.
- Tartsa tisztán a terméket, hogy a jelölések és matricák mindig jól olvashatóak legyenek.
- Ne feledje, hogy a kezelő felelős a másokat és a mások tulajdonát érő balesetekért is.
- Kizárólag nappali fényben vagy megfelelő fényviszonyok mellett használja a terméket. Tartsa a termékkel biztonságos távolságot a lyukaktól és más szabálytalan talajviszonyoktól. Figyeljen a többi lehetséges veszélyre is.
- Ne engedje, hogy gyermekek vagy más jogosulatlan személyek üzemeltessék a terméket

vagy végezzenek rajta szervizelési munkákat. A helyi törvények szabályozhatják a kezelő korát.

- A motor beindítása, a meghajtás bekapcsolása, valamint elindulás előtt ellenőrizze, hogy senki nincs a termék közelében.
- Figyeljen a forgalomra, ha út közelében dolgozik, illetve ha keresztezi azt.
- Ne használja a terméket, ha fáradt, ha alkoholt vagy kábítószerrel fogyasztott, illetve ha látását, éberségét, ítélőképességét vagy mozgáskoordinációját negatívan befolyásoló gyógyszert vett be.
- A termékkel mindig vízszintes területen, leállított motorral parkoljon.
- Ne szereljen fel a gépre nem szabványos berendezést a gyártó beleegyezése nélkül. A gép módosításainak következtében nem biztonságossá válhat a működtetés, illetve károsodhat a gép.

Gyermekekre vonatkozó biztonsági utasítások



FIGYELMEZTETÉS:

Gyermekek esetén a termék súlyos sérülést, de akár halált is okozhat. A termék használata előtt olvassa el az alábbi figyelmeztetéseket. Tartsa távol a gyermekeket.

- Tragikus balesetek fordulhatnak elő, ha a kezelő gyermekek jelenlétében nem figyelmesen dolgozik. A gyermekeket sokszor vonzza a termék és maga a fűnyírési tevékenység. Soha ne abból induljon ki, hogy a gyermekek ott maradnak, ahol Ön utójára látta őket.
- A gyermekeket tartsa távol a fűnyírás területétől, és bizza őket felelős felnőttek – de ne a kezelőgondos felügyeletére.
- Legyen figyelmes, és azonnal állítsa le a terméket, ha gyermekek lépnek be a munkaterületre. Sarkok, bokrok, fák, illetve egyéb, a kilátást akadályozó tárgyak közelében legyen fokozottan óvatos.
- Legyen különösen óvatos, amikor be nem látható kanyarokhoz, cserjékhez, fákhoz vagy más olyan tárgyakhoz érkezik, amelyek akadályozhatják abban, hogy észrevegyen egy gyereket.
- Mielőtt és miközben a terméket hátramenetben mozgatja, nézzen hátra, és figyeljen lefelé a kisgyermekek jelenlétére.
- Ne engedje, hogy gyermekek működtessék a terméket.
- Az Amerikai Gyermekegyógyászati Akadémia javaslata szerint a vezetőüléssel fűnyíró működtetéséhez a gyerekeknek legalább 16 évesnek kell lenniük.
- Ne vigyen a traktoron gyerekeket, még akkor sem, ha ki vannak kapcsolva a kések. A gyerekek leeshetnek, és komoly sérülést szenvedhetnek, vagy beavatkozhatnak

a termék biztonságos üzemeltetésébe. Azok a gyerekek, akiknek korábban megengedték, hogy a traktoron utazzanak, egy újabb lehetőség reményében hirtelen megjelenhetnek a fűnyírás helyszínén, és ilyenkor a termék átmehet vagy áttolthat rajtuk.

Biztonsági utasítások az üzemeltetéshez



FIGYELMEZTETÉS: A termék használata előtt olvassa el az alábbi figyelmeztetéseket.

- Ne működtesse a fűnyírót, ha a fűgyűjtő nincs megfelelően felszerelve.
- Ne működtesse a gyűjtőrendszerrel felszerelt fűnyírót, amíg fel nem szerelte az első súlyokat.
- A fűgyűjtő rendszer felnyitása előtt győződjön meg arról, hogy az összes mozgó alkatrész megállt.
- Mielőtt eltávolítja az elakadt fűvet a fűgyűjtő rendszerből, győződjön meg arról, hogy az összes mozgó alkatrész megállt.
- Távolítsa el a munkaterületről a köveket, játékokat, drótokat stb., amelyek beleakadhatnak a késekbe és kivetődhetnek.
- Kizárólag felelősségteljes személyek számára engedélyezze a termék használatát.
- A fűnyírás megkezdése előtt győződjön meg róla, hogy sem emberek, sem állatok nem tartózkodnak a területen. Ha bárki belépne a területre, állítsa le a gépet.
- Fordulás előtt csökkentse a sebességet.
- Kanyarodás előtt csökkentse a sebességet.
- Kapcsolja ki a késeket, amikor a termék nem végez fűnyírást.
- Zárja le a fűgyűjtő fedelét, mielőtt használni kezdené a terméket.
- Kapcsolja ki a fűnyírókéseket, ha a terméket olyan területen mozgatja, ahol a felcsapódó tárgyak veszélyesek lehetnek.
- Ne próbálja meg összegyűjteni azokat az objektumokat, amelyeket a fűgyűjtő rendszer kidobhat.
- A termék használatakor viseljen védőszemüveget. A felcsapódó tárgyak súlyos szemsérülést okozhatnak.
- Minden használat után és a tárolás előtt ürítse ki a fűgyűjtő zsákokat. A fűgyűjtő zsákokban maradt fű spontán égés révén tüzet okozhat.
- Az adatok azt jelzik, hogy a 60 éves vagy annál idősebb kezelők nagyobb százalékban sérülnek meg a fűnyírótraktor működtetése közben. Ezeknek a kezelőknek fel kell mérniük, hogy alkalmasak-e a fűnyírótraktor biztonságos üzemeltetésére, hogy meg tudják védeni magukat és másokat a sérülésekkel szemben.

Biztonsági utasítások a fűgyújtó rendszer felszereléséhez



FIGYELMEZTETÉS: A termék használata előtt olvassa el az alábbi figyelmeztetéseket.

- Állítsa a terméket vízszintes talajra.
- Húzza be a kéziféket.
- Állítsa a vezérlőkarokat a semleges helyzetbe.
- Állítsa le a motort, és vegye le az indítókulcsot.
- A fűgyújtó rendszer felszerelése előtt győződjön meg arról, hogy az összes mozgó alkatrész megállt.

Lejtőn történő működtetésre vonatkozó biztonsági utasítások



FIGYELMEZTETÉS: A termék használata előtt olvassa el az alábbi figyelmeztetéseket.

A lejtők komoly tényezők a balesetek kialakulásában. Lejtőn csak kiemelt odafigyeléssel lehet dolgozni.

- A lejtőkön a gyártó ajánlái szerint közlekedjen. Szakadékos területek közelében körültekintően járjon el.
- Nedves fűvet ne nyírjon. A gumik tapadása ilyenkor megszűnhet.
- Ne üzemeltesse a terméket olyan körülmények között, ahol a tapadás, a kormanyzás vagy a stabilitás bizonytalan. A gumiabroncsok akkor is csúszhatnak, ha a kerekek leállnak.
- Lejtőn haladva mindig legyen sebességre kapcsolva a termék. A géppel nem menjen egyenesen lefelé egy lejtőn.
- Kerülje a lejtőkön történő leállást és elindulást. Ne végezzen hirtelen sebesség- vagy irányváltoztatást. Lassan és fokozatosan forduljon.
- Ha a gumik tapadása megszűnik, kapcsolja ki a késeket, és lassan, egyenesen haladjon tovább lefelé a lejtőn.
- Legyen különösen óvatos, ha fűgyújtóval vagy más tartozé(ko)kkal felszerelve működteti a terméket. Ezek ugyanis hatással lehetnek a termék stabilitására.
- A lejtőn történő fűnyírás növeli annak kockázatát, hogy nem tudja megfelelően irányítani a terméket, és az felborul. Ez sérüléshez vagy halálhoz vezethet. Lejtős talajon mindig óvatosan nyírja a fűvet. Ha nem tud feltolatni egy lejtőn, vagy bizonytalannak érzi magát, inkább ne nyírja le a fűvet.
- Távolítsa el a köveket, ágakat és egyéb akadályokat.
- A fűvet lejtőn felfelé és lefelé, nem pedig keresztben haladva nyírja.

- Ne használja a terméket 10 foknál meredekebb lejtőn.
- Finoman és lassan haladjon a lejtőkön.
- Legyen óvatos, és kerülje a barázdákat, mélyedéseket és talajemelkedéseket. Nem egyenletes talajon nagyobb a termék felborulásának veszélye. A magas fű akadályokat rejthet.
- Ne nyírjon fűvet peremek, árok vagy töltések közelében. Tartson legalább a gép szélességének megfelelő távolságot ezektől a veszélyektől. Ha egy kerék átkerül egy meredek lejtő, illetve árok peremén, vagy ha a perem beomlik, a fűnyíró hirtelen felborulhat.

Biztonsági utasítások a karbantartáshoz



FIGYELMEZTETÉS: A termék használata előtt olvassa el az alábbi figyelmeztetéseket.



FIGYELMEZTETÉS: A termék nehéz, és sérüléseket, anyagi kárt vagy a környező terület károsodását okozhatja. Ne végezzen karbantartást a motoron vagy a vágóasztalon az alábbi feltételek teljesülése nélkül:

- A motor le van állítva.
- A termék vízszintes felületen van leparkolva.
- A rögzítőfék be van húzva.
- Az indítókulcs leállítási helyzetben van, és ki van véve.
- A kések nincsenek működésben.
- Minden mozgó alkatrész leállt.
- A gyertyapipák le vannak véve a gyújtógyertyákról.



FIGYELMEZTETÉS: Ha a nyomás alatt álló folyadék kiszabadul, az elég erős lehet ahhoz, hogy behatoljon a bőr alá, és súlyos sérülést okozzon. Ha folyadék kerül a bőre alá, azonnal forduljon orvoshoz. Tartsa távol magát és kezeit a nagynyomású folyadékokat kilövellni képes nyílásoktól és fúvókáktól. Szívárgás esetén a terméket azonnal meg kell javíttatni egy szakképzett technikussal.



FIGYELMEZTETÉS:

A motorból származó kipufogógázok szén-monoxidot tartalmaznak, amely szagtalan, mérgező, rendkívül veszélyes gáz. Ne működtesse a járművet zárt vagy nem megfelelően szellőző helyen.

- Tartsa a terméket üzembiztos állapotban. A kopott vagy sérült alkatrészeket ki kell cserélni.

A kések karbantartásakor körültekintően járjon el. Csomagolja be a késeket vagy viseljen kesztyűt. Cserélje ki a sérült lapátokat. Ne javítsa vagy változtassa meg a késeket.

Szerelés előtt mindig válassza le a gyújtógyertya/gyújtógyertyák, valamint az akkumulátor negatív kábelét.

A legjobb teljesítmény és a maximális biztonság érdekében rendszeresen végezze el a termék karbantartását a karbantartási ütemezés szerint. Lásd: *Karbantartási terv/112. oldalon.*

- Az áramütés sérülést okozhat. Ne érintse meg a kábeleket járó motor mellett. Ne próbálja ki a gyújtásrendszert az ujjával.
- Várja meg, amíg a termék lehűl, mielőtt karbantartási munkát végezne a motor közelében.

- A kések nagyon élesek, könnyen megvághatja magát. Gondoskodjon a kések körüli védelemről, vagy használjon védőkesztyűt a késekkel való munkavégzés során.
- Ne fordítsa át a motort, ha a gyújtógyertyát vagy a gyertyapipát eltávolították.
- Ügyeljen arra, hogy a csavarok és csavaranyák alaposan meg legyenek húzva, és hogy a felszerelés jó állapotban legyen.
- Ne módosítsa a szabályozók beállítását. Ha a motorfordulatszám túl nagy, a termék alkotóelemei károsodhatnak.
- A terméket csak a gyártó által biztosított vagy ajánlott berendezésekkel hagyják jóvá.
- A javításhoz csak eredeti alkatrészeket használjon. Az ezekről eltérő alkatrészek felhasználása érvényteleníti a garanciát.

Telepítés

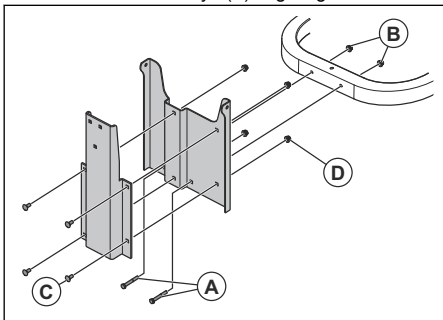
Bevezetés



FIGYELMEZTETÉS: Olvassa el és értelmezze a biztonságról szóló fejezetet, mielőtt üzembe helyezné a terméket.

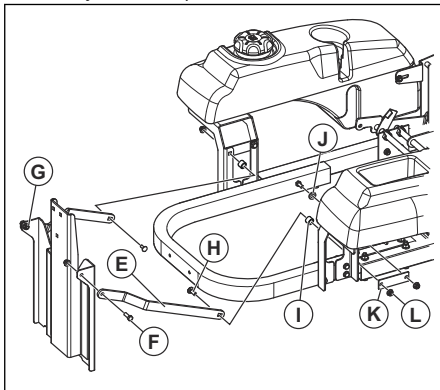
A fűgyújtó konzol felszerelése

1. Szerelje fel a tartókonzolt a vázra 2 db 5/16-18x2-1/4 méretű hatlapfejű csavar (A) és 2 db 5/16 méretű anyá (B) segítségével.



2. Szerelje fel a függesztő konzolt a tartókonzolra 4 db 5/16-18x3/4 méretű rögzítőcsavar (C) és 4 db 5/16 méretű anyá (D) segítségével.

3. Szerelje fel a tartópántokat a tartókonzolra.

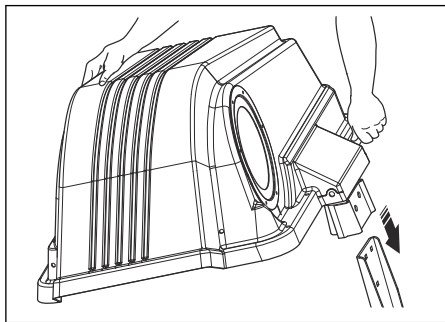


4. Szerelje fel a pántokat (E) a tartókonzolra 2 db 5/16-18x1-1/4 méretű rögzítőcsavar (F) és 2 db 5/16 méretű anyá (G) segítségével.
5. Szerelje fel a pántokat a tartály tartókonzoljaira 4 db 5/16-18x1 méretű hatlapfejű csavar (H), 2 db távtartó (I), 2 db alátét (J), 2 db merevítőlemez (K) és 4 db 5/16 méretű anyá (L) segítségével.

A fűgyújtó tartály fedelének a felszerelése

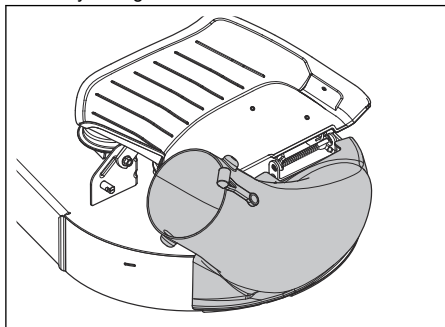
1. Szerelje fel a fűgyújtó tartály tartókonzolját. Lásd: *A fűgyújtó konzol felszerelése/110. oldalon.*

2. Helyezze fel a fűgyűjtő tartály fedelét tartályra szerelt konzolra.



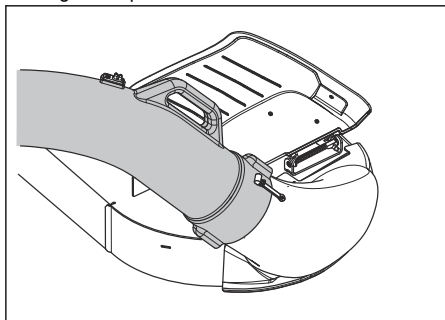
Az oldalsó kidobógarat felszerelése

1. Emelje fel az oldalsó kidobófedelel.
2. Helyezze az oldalsó kidobógaratot a fedél tartókonzoljára.
3. Rögzítse az oldalsó kidobógarat reteszeit a fűnyíró vágóasztalához.



A fűgyűjtő garat felszerelése

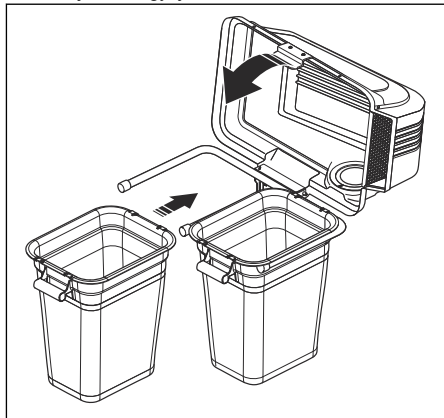
1. Helyezze a fűgyűjtő garatot az oldalsó kidobógaratra.
2. Rögzítse a pántot.



3. Helyezze a fűgyűjtő garatot a fűgyűjtő tartály fedelének a nyílásába.

A zsákok felszerelése

1. Hajtsa fel a fűgyűjtő fedelét.
2. Helyezze a 2 zsákot a tartókeretre.
3. Csupkja le a fűgyűjtő fedelét.

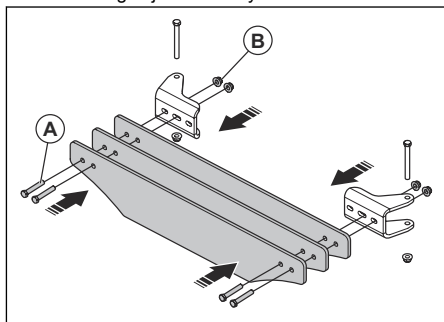


Az első súly felszerelése

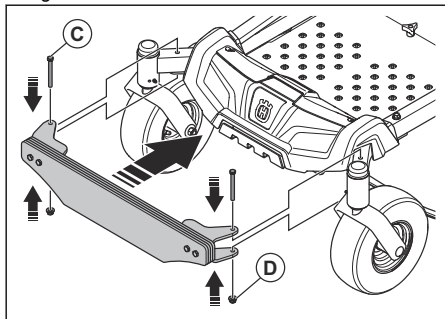


FIGYELMEZTETÉS: Ne használja a fűgyűjtő rendszert első súlyok nélkül.

1. Szerelje fel az első súlylemezeket a konzolokra 4 db 3/8-16x2-1/4 méretű hatlapfejű csavar (A) és 4 db 3/8 méretű anya (B) segítségével. Ne húzza meg teljesen az anyákat.



2. Igazítsa a konzolok furatait a váz furataihoz.



3. Szerelje be a 3/8-16x3-1/2 méretű csavarokat (C) és a 3/8 méretű anyákat (D).

4. Húzza meg az összes anyát.

Üzemeltetés

Bevezető



FIGYELMEZTETÉS: A termék működtetése előtt el kell olvasnia és meg kell értenie a biztonságról szóló fejezetet.

A termék működtetése

- Tartsa be a fűnyíró kezelői kézikönyvében található használati utasításokat.
- A fűgyűjtő rendszer használatakor működtesse a motort maximális fordulatszámon.
- A jó vágási és fűgyűjtési eredmény érdekében kis sebességgel haladjon előre a termékkel.
- Ha a fű magas és sűrű, vágja le két menetben. Az első fűnyírás a legnagyobb vágási magasságon történjen, a második pedig a megfelelő magasságon.

- A fűnyíró bal oldalát használja fűnyírásra az akadályok közelében.
- Ne nyírjon nedves fűvet. A nedves fű eltömítheti a fűgyűjtő rendszert.
- Ha a fűgyűjtő rendszer nem gyűjti már a levágott fűvet, ürítse ki a gyűjtőzsákot. Ellenőrizze, hogy a fűgyűjtő garat nincs-e eltömődve, ha a probléma akkor is fennáll, amikor a fűgyűjtő zsákok üresek.
- Állítsa le a fűnyírót és győződjön meg arról, hogy a fűgyűjtő rendszer nem sérült-e meg, ha a gép mozdítható tárgynak ütközött.
- Ügyeljen arra, hogy ne csavarodjon el a fűgyűjtő garat.
- Ne húzza a fűgyűjtő garatot épületek oldala mentén és egyéb kemény felületeken.

Karbantartás

Bevezető



FIGYELMEZTETÉS: Karbantartási munkák előtt el kell olvasnia és meg kell értenie a biztonságról szóló fejezetet.

X = Az utasítások szerepelnek ebben a használati utasításban.

O = Olvassa el a motor kézikönyvében található utasításokat.

A kezelő által elvégzendő karbantartási műveletek ütemezése

Karbantartási terv

* = Az utasítások nem szerepelnek ebben a használati utasításban.

| Karbantartás | Napi karbantartás | Karbantartási intervallumok üzemórákban | | |
|--|-------------------|---|----|----|
| | Használat előtt | 5 | 25 | 50 |
| Ellenőrizze és tisztítsa meg a fűgyűjtő zsákot. | X | X | | |
| Győződjön meg arról, hogy az anyák és a csavarok szorosan rögzülnek-e. | X | | | |

| Karbantartás | Napi karbantartás | Karbantartási intervallumok üzemórákban | | |
|---|-------------------|---|----|----|
| | Használat előtt | 5 | 25 | 50 |
| Győződjön meg arról, hogy a fűgyűjtő garat szorosan rögzítve van. | X | | | |
| Tisztítsa meg a terméket. | | | | X |

A termék tisztítása

- Kefével távolítsa el a nem kívánt anyagot és a fűvet a termékről.

- Szükség esetén használjon nagynyomású mosót és enyhe tisztítószerrel. Ne lépje túl a 1000 psi (68,9 bar) víznyomást.

Hibaelhárítás

Hibakeresési séma

Ha a jelen használati utasításban nem talál megoldást a problémájára, forduljon a Husqvarna szervizműhelyhez.

| Probléma | Ok |
|--|--|
| Megszűnt a levegőáramlás. | A fűgyűjtő garat vagy a fűgyűjtő fedél bemenete eltömődött. |
| | A tartály megtelt. |
| | A fűgyűjtő rendszer szövete eltömődött. |
| Szokatlan rezgés vagy zaj. | Bekerült egy szilárd tárgy a fűgyűjtőbe. |
| | Meglazult vagy hiányzó csavarok vagy anyák. |
| A fűgyűjtő tartály fedele nehezen csukható le. | A fűgyűjtő tartályban lévő tárgyak miatt a fedél elakad. |
| | A fűgyűjtő tartály fedele csuklópántjának a csavarjai túl szorossak. |

Szállítás, tárolás és ártalmatlanítás

Szállítás

- Ne vontassa a terméket.
- A termék nehéz, és súlyos zúzott sérüléseket okozhat. Legyen óvatos, amikor járműre vagy utánfutóra helyezi fel, illetve onnan veszi le.
- A terméket a jóváhagyott, legfeljebb 10°-os működési szögű rámpákon, hátramenetben rakodja be. Ne emelje fel a terméket.
- A termék szállításához jóváhagyott utánfutót használjon.
- A termék utánfutón vagy közúton történő szállítása kizárólag a helyi közlekedési szabályok ismeretében lehetséges.
- Rögzítse a terméket jóváhagyott eszközökkel, például hevederekkel. Használja a terméken vagy a váz megfelelő területein kialakított leköltési pontokat. Szállítás esetén a rögzítőkék nem elegendő a termék rögzítéséhez.

Tárolás

A fűnyírási szezon végén vagy 30 napnál hosszabb tárolás előtt készítse elő a terméket a tárolásra. Ha az üzemanyag 30 napig vagy még tovább marad a tartályban, a ragadós részecskék a karburátor eltömődését okozhatják. Ez kedvezőtlenül befolyásolja a motor működését.

A részecskék kialakulásának elkerülése érdekében használjon stabilizátort. Alkil üzemanyag használata esetén nincs szükség stabilizátorra. Hagyományos üzemanyag használata esetén ne váltson alkil üzemanyagra. Ez az érzékeny gumirészek megkeményedését okozhatja. A stabilizátort az üzemanyagtartályban vagy a tárolóedényben lévő üzemanyaghoz adja hozzá. Mindig a stabilizátor gyártója által megadott keverési arányt alkalmazza. Adja hozzá a stabilizátort, és járassa a motort

legalább 10 percig, amíg az üzemanyag a karburátorba nem folyik.



FIGYELMEZTETÉS: Ne tárolja az üzemanyaggal teli terméket zárt vagy rossz szellőzésű helyen. Az üzemanyagőzők nyílt lánggal, szikrával vagy őrlánggal – például fűtőkazánban, forróvíz-tárolóban és ruhaszárítóban – való kapcsolatba kerülése tűzveszélyes.



FIGYELMEZTETÉS: A tűzveszély csökkentése érdekében távolítsa el a fűvet, leveleket és más gyúlékony anyagokat a termékből. A tárolás előtt várja meg, amíg lehül a termék.

- Tisztítsa meg a terméket, lásd: *A termék tisztítása 113. oldalon.*
- Távolítsa el a nem kívánt anyagokat a hűtőventilátorból.
- Javítsa ki a festékhibákat a rozsdásodás elkerülése érdekében.
- Vizsgálja meg, nincsenek-e kopott, illetve sérült részek a fűnyírón, valamint húzza meg a kilazult csavarokat és csavaranyákat.
- Vegye ki az akkumulátort. Tisztítsa meg, töltsse fel és tartsa hűvös helyen.
- Cserélje le a motorolajat, és gondoskodjon megfelelően a fáradt olajról.
- Ürítse ki a benzintartályt. Indítsa be a motort, és járassa addig, amíg nem marad üzemanyag a karburátorban.

Megjegyzés: Ne ürítse ki az üzemanyagtartályt és a karburátort, ha stabilizátor hozzáadása történt.

- Távolítsa el a gyertyákat, és öntsön nagyjából egy evőkanányi motorolajat minden hengerre. Forgassa meg kézzel a motort az olaj elosztatásához, majd helyezze vissza a gyertyákat.
- Kenje meg a zsrízószemeket, a csuklókat és a tengelyeket.
- Tárolja a terméket tiszta és száraz helyen, letakarva.

Sommario

| | | | |
|--------------------|-----|--|-----|
| Introduzione..... | 115 | Manutenzione..... | 121 |
| Sicurezza..... | 116 | Ricerca guasti..... | 122 |
| Installazione..... | 119 | Trasporto, stoccaggio e smaltimento..... | 122 |
| Utilizzo..... | 121 | | |

Introduzione

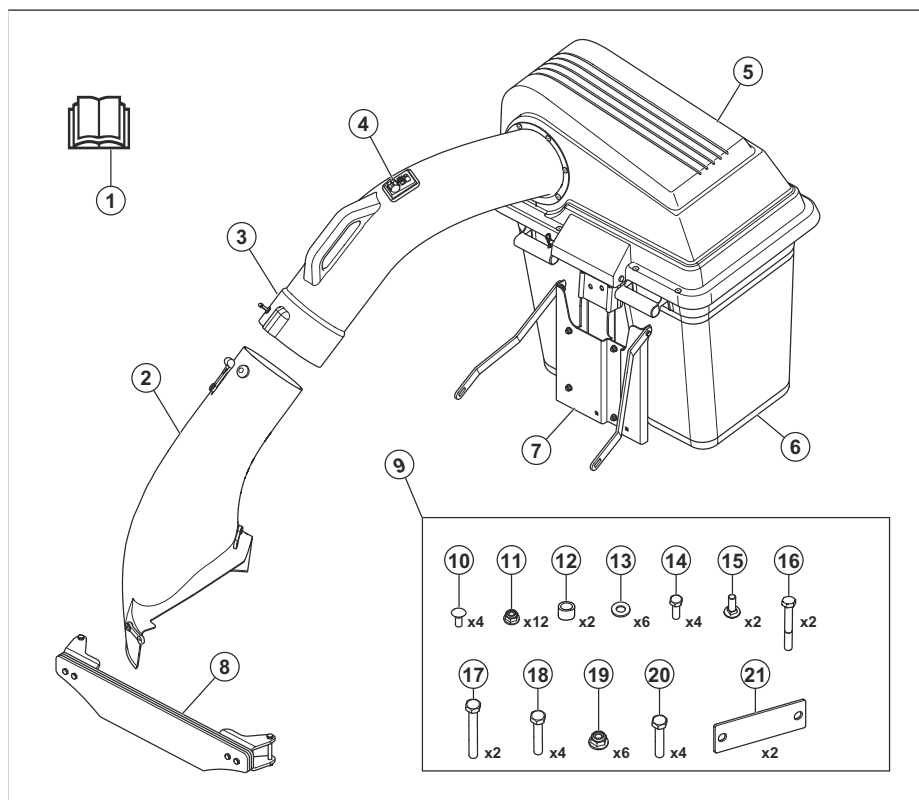
Descrizione del prodotto

Questo prodotto è un sistema di raccolta erba. L'erba raccolta può essere utilizzata come compost per prati e aiuole, oppure può essere smaltita tra gli sfalci.

Uso previsto

Questo prodotto è stato realizzato per raccogliere l'erba tagliata durante il funzionamento del tagliaerba e dare al prato un aspetto curato. Non utilizzare il prodotto per altre attività.

Panoramica del prodotto



- | | |
|--------------------------------|--------------------------------------|
| 1. Manuale dell'operatore | 7. Staffa di raccolta |
| 2. Scivolo di scarico laterale | 8. Peso anteriore |
| 3. Scivolo di raccolta | 9. Custodia per accessori |
| 4. Indicatore sacchetto pieno | 10. Bullone di trasporto 5/16-18x3/4 |
| 5. Cappa | 11. Dado 5/16 |
| 6. Sacco | 12. Distanziatore |

- 13. Rondella
- 14. Bullone esagonale 5/16-18x1
- 15. Bullone di trasporto 5/16-18x1-1/4
- 16. Bullone esagonale 5/16-18x2-1/4
- 17. Bullone esagonale 3/8-16x3-1/2
- 18. Bullone esagonale 3/8-16x2-1/2
- 19. Dado 3/8
- 20. Bullone esagonale 3/8-16x2-1/4
- 21. Piastra di rinforzo

- Il prodotto viene riparato in modo errato.
- Il prodotto viene riparato con parti che non provengono o non sono omologate dal produttore.
- Il prodotto contiene un accessorio che non proviene o non è omologato dal produttore.
- Il prodotto non viene riparato presso un centro di assistenza autorizzato o presso un'autorità competente.

Danni al prodotto

Non siamo responsabili dei danni al prodotto se:

Sicurezza

Definizioni di sicurezza

Le avvertenze, le precauzioni e le note sono utilizzate per evidenziare le parti importanti del manuale.



AVVERTENZA: Utilizzato se è presente un rischio di lesioni o morte dell'operatore o di passanti nel caso in cui le istruzioni del manuale non vengano rispettate.



ATTENZIONE: Utilizzato se è presente un rischio di danni al prodotto, ad altri materiali oppure alla zona adiacente nel caso in cui le istruzioni del manuale non vengano rispettate.

Nota: Utilizzato per fornire ulteriori informazioni necessarie in una determinata situazione.

Istruzioni di sicurezza generali



AVVERTENZA: Leggere le seguenti avvertenze prima di utilizzare il prodotto



AVVERTENZA: Il prodotto ha una potenza sufficiente per amputare mani o piedi e scagliare violentemente gli oggetti. La mancata osservanza delle seguenti norme di sicurezza può essere causa di lesioni gravi o addirittura mortali.



AVVERTENZA: Il mancato rispetto delle procedure di sicurezza durante l'uso può provocare gravi lesioni all'operatore o ad altre persone. Il proprietario deve leggere attentamente queste istruzioni e consentire l'uso del tagliaerba esclusivamente a persone

autorizzate che abbiano letto e compreso queste istruzioni. Tutte le persone che utilizzano il tagliaerba devono essere in buone condizioni fisiche e mentali e non essere sotto l'effetto di farmaci, alcool o sostanze stupefacenti.

- Leggere, comprendere e seguire le istruzioni e le avvertenze riportate nel presente manuale, nel manuale dell'operatore e sul prodotto, sul motore e sugli accessori.
- Il prodotto deve essere utilizzato esclusivamente da persone formate, responsabili e che conoscano le istruzioni.
- Assicurarsi di informare una persona che si intende utilizzare il prodotto, qualora si verifichino infortuni o incidenti.
- Non trasportare passeggeri e tenere lontane le persone.
- Non utilizzare il prodotto sotto l'effetto di farmaci o alcolici.
- Rispettare le raccomandazioni del produttore relativamente a pesi delle ruote o contrappesi.
- Apprendere l'uso del prodotto e i comandi e imparare come arrestare il prodotto rapidamente.
- Apprendere a riconoscere le decalcomanie di sicurezza.
- Conservare il prodotto pulito in modo che sia possibile leggere chiaramente i simboli e gli adesivi.
- Tenere presente che l'operatore potrà essere ritenuto responsabile di eventuali incidenti che coinvolgano altre persone o i loro beni.
- Utilizzare il prodotto solo alla luce solare o in altre condizioni di sufficiente illuminazione. Tenere il prodotto a distanza di sicurezza da buche o altre irregolarità nel suolo. Prestare attenzione ad altri possibili rischi.
- Non consentire ai bambini o ad altre persone non autorizzate di utilizzare il prodotto o eseguirne la manutenzione. Verificare l'esistenza di norme locali che fissano l'età minima dell'utilizzatore.

- Accertarsi che nessuno si trovi nelle vicinanze del prodotto quando si accende il motore, si innesta la trazione o si sposta il prodotto.
- Tenere d'occhio il traffico quando si taglia in prossimità di una strada o la si attraversa.
- Non utilizzare il prodotto in condizioni di stanchezza oppure sotto l'effetto di alcolici, stupefacenti o farmaci in grado di compromettere la vista, l'attenzione, la coordinazione o il giudizio.
- Parcheggiare sempre il prodotto su una superficie piana con il motore spento.
- Non modificare o installare dispositivi non standard sull'unità senza il consenso del fabbricante. Qualsiasi modifica all'unità può renderne pericoloso l'utilizzo o arrecare danni all'unità stessa.

Istruzioni di sicurezza relative ai bambini



AVVERTENZA: I bambini possono subire lesioni gravi o mortali. Leggere le seguenti avvertenze prima di utilizzare il prodotto. Tenere lontani i bambini.

- La mancata attenzione a bambini nelle vicinanze della macchina può provocare tragici incidenti. I bambini sono spesso attratti dal prodotto e dall'attività di taglio. Non presumere mai che i bambini resteranno nel punto in cui sono stati visti l'ultima volta.
- Tenere i bambini lontani dall'area operativa e farli sorvegliare da un adulto responsabile che non sia l'operatore.
- Restare vigili e arrestare il prodotto immediatamente se i bambini accedono all'area di lavoro. Prestare estrema attenzione nei pressi di angoli, cespugli, alberi o altri oggetti che ostacolano la visuale.
- Prestare particolare attenzione nelle vicinanze di angoli ciechi, cespugli, alberi o altri oggetti che potrebbero limitare la visibilità e impedire di vedere un bambino.
- Prima e durante lo spostamento del prodotto in retromarcia, guardare indietro e in basso per individuare l'eventuale presenza di bambini piccoli.
- Non lasciare che i bambini utilizzino il prodotto.
- L'American Academy of Pediatrics sconsiglia l'utilizzo di trattori tagliaerba ai minori di 16 anni.
- Non trasportare mai i bambini, nemmeno con le lame disinserite. Potrebbero cadere e subire gravi lesioni oppure impedire una manovra sicura del prodotto. I bambini che sono stati fatti salire sul prodotto in precedenza possono comparire improvvisamente nell'area di taglio per ripetere l'esperienza e possono essere travolti in marcia avanti o retromarcia.

Istruzioni di sicurezza per l'uso



AVVERTENZA: Leggere le seguenti avvertenze prima di utilizzare il prodotto.

- Non azionare il tagliaerba se il raccogliitore non è completamente installato.
- Non azionare il tagliaerba con il sistema di raccolta se non sono stati installati i pesi anteriori.
- Assicurarsi che tutte le parti mobili siano ferme prima di aprire il sistema di raccolta.
- Assicurarsi che tutte le parti mobili siano ferme prima di rimuovere l'erba dal sistema di raccolta.
- Liberare l'area da oggetti come pietre, giocattoli, fili, ecc. che possono rimanere incastrati nelle lame ed essere scagliati in aria.
- Consentire l'utilizzo del prodotto solo ad adulti responsabili.
- Accertarsi che non vi sia nessuna persona o animale domestico nelle vicinanze prima di iniziare l'attività di taglio. Fermare il prodotto se qualcuno accede all'area di lavoro.
- Ridurre la velocità prima di svoltare.
- Ridurre la velocità prima di girare un angolo.
- Disinserire le lame quando il prodotto non è attivo.
- Chiudere il coperchio del raccogliitore prima di azionare il prodotto.
- Disinserire le lame del tagliaerba quando si sposta il prodotto in aree in cui ci sono oggetti che possono essere proiettati e creare un pericolo.
- Non cercare di raccogliere oggetti che potrebbero essere scagliati dal sistema di raccolta.
- Utilizzare una protezione per gli occhi durante l'utilizzo del prodotto. Gli oggetti che vengono scagliati possono provocare lesioni oculari.
- Assicurarsi che i cestini di raccolta siano vuoti dopo ogni uso e prima del rimessaggio. L'erba rimasta nei cestini di raccolta potrebbe dare luogo a una combustione spontanea e provocare un incendio.
- I dati dimostrano che gli operatori di età superiore a 60 anni sono coinvolti in percentuale maggiore in incidenti e infortuni correlati all'utilizzo dei tagliaerba. Questi operatori devono valutare le proprie capacità di utilizzare il trattorino tagliaerba in modo sufficientemente sicuro per proteggere se stessi e gli altri da eventuali lesioni.

Consultare le istruzioni di sicurezza prima di installare il sistema di raccolta



AVVERTENZA: Leggere le seguenti avvertenze prima di utilizzare il prodotto.

- Parcheggiare su una superficie piana.
- Azionare il freno di stazionamento.
- Portare le leve di comando del movimento in posizione di folle.
- Arrestare il motore e rimuovere la chiave di accensione.
- Assicurarsi che tutte le parti mobili siano ferme prima di installare il sistema di raccolta.

Istruzioni di sicurezza per l'utilizzo in pendenza



AVVERTENZA: Leggere le seguenti avvertenze prima di utilizzare il prodotto.

Le pendenze sono un fattore importante per gli incidenti. Procedere con la massima cautela sui pendii.

- Spostarsi nella direzione consigliata dal produttore su pendenze. Prestare attenzione durante il funzionamento in prossimità di dislivelli.
- Non tagliare erba bagnata. Gli pneumatici possono perdere trazione.
- Non utilizzare il prodotto in condizioni in cui siano presenti trazione, sterzata o stabilità precarie. Gli pneumatici potrebbero slittare anche se le ruote sono ferme.
- Tenere sempre il prodotto con la marcia ingranata quando si guida su un pendio. Non procedere in discesa.
- Non avviare o arrestare il prodotto sulle pendenze. Non effettuare bruschi cambiamenti di velocità o di direzione di marcia. Effettuare le svolte lentamente e gradualmente.
- Se gli pneumatici perdono trazione, disinnestare le lame e proseguire lentamente la discesa in linea retta.
- Prestare la massima attenzione quando si aziona il prodotto con raccogliherba o altri accessori. Questi possono modificare la stabilità del prodotto.
- La falciatura dell'erba su terreni in pendenza aumenta il rischio di perdita di controllo e di ribaltamento del prodotto. Ciò può causare lesioni anche mortali. È necessario falciare l'erba con cautela su qualsiasi terreno in pendenza. Se non è possibile effettuare la retromarcia su un terreno in pendenza o se ci si sente insicuri, non effettuare la falciatura.

- Rimuovere pietre, rami o altri ostacoli.
- Tagliare l'erba sulla pendenza verso l'alto e verso il basso, non da lato a lato.
- Non utilizzare il prodotto su terreni con pendenze superiori a 10°.
- Spostarsi gradualmente e lentamente su terreni in pendenza.
- Evitare di attraversare solchi, buche e dossi. Vi è un rischio più elevato che il prodotto si ribalti su un terreno non piano. L'erba alta può nascondere eventuali ostacoli.
- Non tagliare in prossimità di bordi, fossi o argini. Tenere la macchina lontano da questi pericoli per una distanza pari ad almeno la sua larghezza. Il prodotto può ribaltarsi improvvisamente se una ruota si muove oltre il bordo di una pendenza ripida o un fosso, o se un bordo cede.

Istruzioni di sicurezza per la manutenzione



AVVERTENZA: Leggere le seguenti avvertenze prima di utilizzare il prodotto.



AVVERTENZA: Il prodotto ha un peso elevato e può causare lesioni o danni alle cose o all'area adiacente. Non eseguire la manutenzione del motore o del piatto di taglio senza che queste condizioni vengano soddisfatte:

- Il motore è spento.
- Il prodotto è parcheggiato su una superficie piana.
- Il freno di stazionamento è azionato.
- Chiave di accensione in posizione di arresto e rimossa.
- Le lame sono disinserite.
- Tutte le parti mobili si sono fermate.
- I cavi di accensione sono stati rimossi dalle candele.



AVVERTENZA: La fuoriuscita di liquidi sotto pressione può avere una forza sufficiente a penetrare nella pelle e causare lesioni gravi. Se il liquido penetra nella pelle, consultare immediatamente un medico. Mantenere il corpo e le mani lontano dai fori per perni o dagli ugelli che espellono il liquido ad alta pressione. In caso di perdita, far eseguire immediatamente la manutenzione del prodotto da un tecnico qualificato.



AVVERTENZA: I fumi di scarico del motore contengono monossido di carbonio, un gas inodore, velenoso ed

estremamente pericoloso. Non utilizzare il prodotto in spazi chiusi o con un flusso d'aria insufficiente.

- Mantenere il prodotto in buone condizioni. Sostituire le parti usurate o danneggiate.

Prestare attenzione durante la manutenzione delle lame. Avvolgere le lame o indossare i guanti. Sostituire le lame danneggiate. Non riparare o modificare le lame.

Se in dotazione, scollegare i cavi delle candele e il cavo negativo della batteria prima di eseguire qualsiasi riparazione.

Per garantire le migliori prestazioni e la sicurezza, effettuare la manutenzione del prodotto a intervalli regolari come indicato nel programma di manutenzione. Fare riferimento a *Programma di manutenzione alla pagina 121*.

- Le scosse elettriche possono provocare lesioni. Non toccare i cavi quando il motore è acceso. Non effettuare una prova di funzionamento dell'impianto di accensione con le dita.

- Attendere che il prodotto si raffreddi prima di eseguire la manutenzione vicino al motore.
- Le lame sono affilate e possono causare tagli. Posizionare paraventi attorno alle lame o usare guanti protettivi quando si lavora su di esse.
- Non ribaltare il motore se la candela o il cavo di accensione sono stati rimossi.
- Assicurarsi che tutti i dadi e i bulloni siano serrati correttamente e che l'attrezzatura sia in buone condizioni.
- Non modificare la regolazione dei limitatori. Se il regime del motore è troppo alto, i componenti del prodotto possono danneggiarsi.
- Il prodotto è testato e approvato solo con l'attrezzatura in dotazione o raccomandata dal produttore.
- Utilizzare esclusivamente parti originali per le riparazioni. L'utilizzo di altre parti rende nulla la garanzia.

Installazione

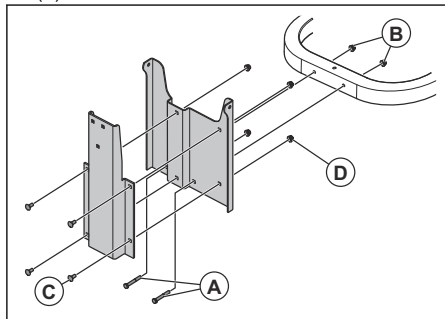
Introduzione



AVVERTENZA: Leggere e comprendere il capitolo sulla sicurezza prima di installare il prodotto.

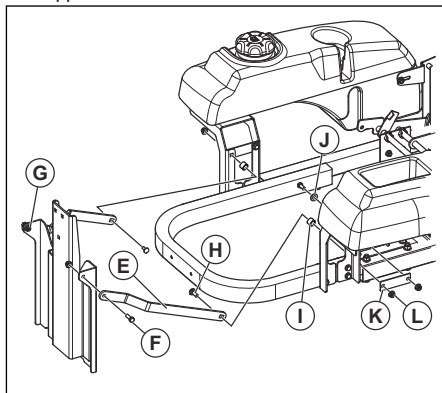
Installazione della staffa del raccogliitore

1. Installare la staffa di supporto sul telaio con 2 bulloni esagonali 5/16-18x2-1/4 (A) e 2 dadi 5/16 (B).



2. Installare la staffa di aggancio sulla staffa di supporto con 4 bulloni di trasporto 5/16-18x3/4 (C) e 4 dadi 5/16 (D).

3. Installare le cinghie di supporto sulla staffa di supporto.

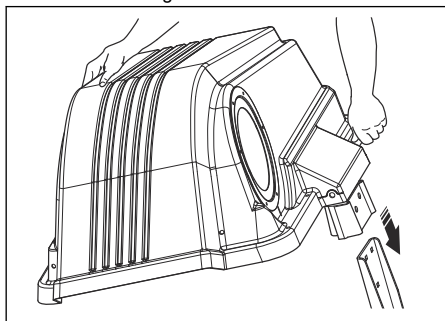


4. Installare le cinghie (E) sulla staffa di supporto con 2 bulloni di trasporto 5/16-18x1-1/4 (F) e 2 dadi 5/16 (G).
5. Installare le cinghie sulle staffe del serbatoio con 4 bulloni esagonali 5/16-18x1 (H), 2 distanziatori (I), 2 rondelle (J), 2 piastre di rinforzo (K) e 4 dadi 5/16 (L).

Installazione del cofano del raccogliitore

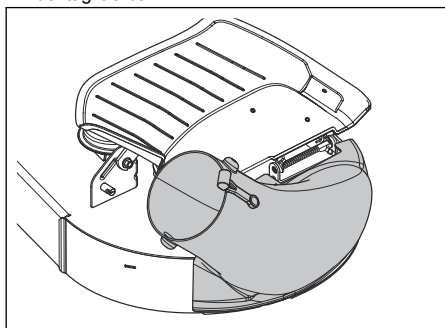
1. Installare la staffa del raccogliitore. Fare riferimento a *Installazione della staffa del raccogliitore alla pagina 119*.

2. Posizionare il coperchio del raccoglitore sulla staffa del raccoglitore.



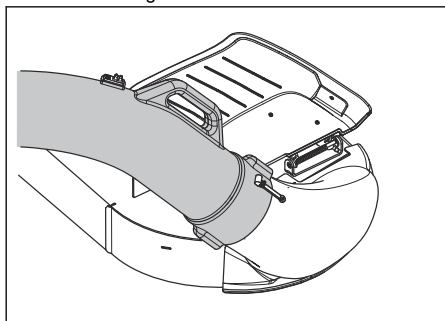
Installazione dello scivolo di scarico laterale

1. Sollevare il coperchio dello scarico laterale.
2. Posizionare lo scivolo di scarico laterale attorno alla staffa del coperchio.
3. Fissare i fermi dello scivolo di scarico al piatto del tagliaerba.



Installazione dello scivolo del raccoglitore

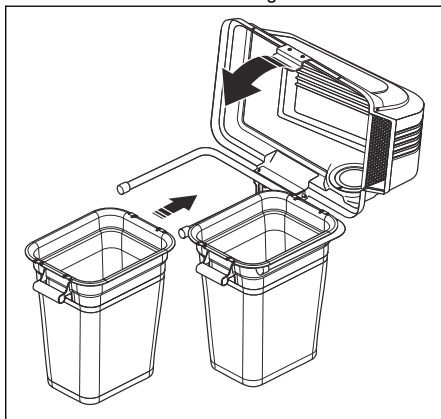
1. Posizionare lo scivolo del raccoglitore sullo scivolo di scarico laterale.
2. Fissare la cinghia.



3. Inserire lo scivolo del raccoglitore nell'apertura sul cofano del raccoglitore.

Installazione dei cesti

1. Inclinare il cofano del raccoglitore.
2. Posizionare i 2 cesti sul telaio di supporto.
3. Chiudere il cofano del raccoglitore.

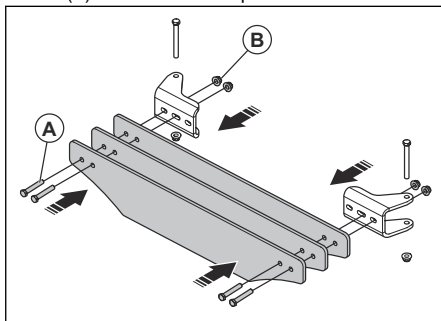


Installazione del peso anteriore

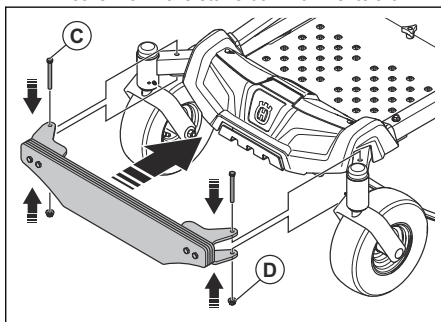


AVVERTENZA: Non utilizzare il sistema di raccolta senza i pesi anteriori.

1. Installare le piastre del peso anteriore sulle staffe con 4 bulloni esagonali 3/8-16x2-1/4 (A) e 4 dadi 3/8 (B). Non serrare completamente i dadi.



2. Allineare i fori nelle staffe con i fori nel telaio.



3. Installare i bulloni 3/8-16x3-1/2 (C) e i dadi 3/8 (D).

4. Serrare tutti i dadi.

Utilizzo

Introduzione



AVVERTENZA: Prima di utilizzare il prodotto, è necessario leggere e comprendere il capitolo relativo alla sicurezza.

Utilizzo del prodotto

- Attenersi alle istruzioni per l'uso riportate nel manuale dell'operatore del tagliaerba.
- Far funzionare il motore al regime massimo quando si utilizza il sistema di raccolta.
- Muovere il prodotto in avanti a bassa velocità per ottenere un buon risultato di taglio e un buon risultato di raccolta.
- Tagliare 2 volte l'erba se è alta e spessa. Il primo taglio deve essere all'altezza di taglio massima e la seconda volta all'altezza corretta.

- Utilizzare il lato sinistro del tagliaerba per il taglio in prossimità di oggetti.
- Non tagliare il prato bagnato. Se l'erba è umida, vi sono maggiori possibilità di ostruzione del sistema di raccolta.
- Se il sistema di raccolta non raccoglie l'erba tagliata, svuotare i cesti di raccolta. Se il problema persiste quando i cesti di raccolta sono vuoti, assicurarsi che lo scivolo di raccolta non sia ostruito.
- Se si colpisce un corpo estraneo, arrestare il tagliaerba e assicurarsi che il sistema di raccolta non sia stato danneggiato.
- Evitare che lo scivolo del raccogliitore si attorcigli.
- Non trascinare lo scivolo del raccogliitore lungo le pareti di edifici o altre superfici dure.

Manutenzione

Introduzione



AVVERTENZA: Prima di eseguire qualsiasi lavoro di manutenzione, è necessario leggere e capire il capitolo relativo alla sicurezza.

X = le istruzioni sono riportate in questo manuale dell'operatore.

O = Per le istruzioni, fare riferimento al manuale del motore.

Programma di manutenzione per l'operatore

Programma di manutenzione

* = Le istruzioni non sono riportate in questo manuale dell'operatore.

| Manutenzione | Manutenzione giornaliera | Intervallo di manutenzione in ore | | |
|---|--------------------------|-----------------------------------|----|----|
| | Prima dell'uso | 5 | 25 | 50 |
| Controllare e pulire i cesti di raccolta. | X | X | | |
| Accertarsi che i dadi e le viti siano ben serrati. | X | | | |
| Assicurarsi che lo scivolo del raccogliitore sia serrato. | X | | | |
| Pulire il prodotto. | | | | X |

Pulizia del prodotto

- Utilizzare una spazzola per rimuovere materiale superfluo ed erba dal prodotto.

- Se necessario, impiegare una lancia ad alta pressione e un detergente leggero. La pressione dell'acqua non deve superare i 68,9 bar (1000 PSI).

Ricerca guasti

Programma di ricerca guasti

Se non si riesce a trovare la soluzione ai problemi in questo manuale dell'operatore, rivolgersi al tecnico dell'assistenza Husqvarna.

| Problema | Causa |
|---|---|
| Perdita del flusso d'aria. | Lo scivolo del raccogliitore o l'ingresso del coperchio del raccogliitore sono ostruiti. |
| | Il contenitore è pieno. |
| | Il tessuto nel raccogliitore è ostruito. |
| Vibrazioni o rumori insoliti. | Nel raccogliitore è presente un oggetto solido. |
| | Viti o dadi allentati o mancanti. |
| Il coperchio del raccogliitore è difficile da chiudere. | Gli oggetti presenti nel raccogliitore causano un blocco del coperchio del raccogliitore. |
| | Le viti della cerniera del coperchio del raccogliitore sono troppo serrate. |

Trasporto, stoccaggio e smaltimento

Trasporto

- Non trainare il prodotto.
- Il prodotto ha un peso elevato e può causare lesioni da schiacciamento. Prestare attenzione durante il caricamento su un veicolo o rimorchio o durante lo scaricamento.
- Caricare il prodotto in retromarcia su rampe approvate con un angolo di funzionamento massimo di 10°. Non sollevare il prodotto.
- Utilizzare un rimorchio omologato per il trasporto del prodotto.
- Accertarsi di conoscere le norme sulla circolazione stradale prima del trasporto del prodotto in un rimorchio o su strada.
- Bloccare il prodotto con dispositivi approvati, ad es. cinghie. Utilizzare punti di ancoraggio sul prodotto o nelle aree applicabili del telaio. Il freno di stazionamento non è sufficiente per bloccare il prodotto durante il trasporto.

Rimessaggio

Preparare il prodotto per il rimessaggio al termine della stagione e in caso di inutilizzo per un periodo superiore a 30 giorni. Se si lascia il carburante all'interno del serbatoio del carburante per 30 giorni o più, le particelle appiccicose possono creare intasamenti nel carburatore. Ciò ha un effetto negativo sul funzionamento del motore.

Per evitare la formazione di particelle appiccicose durante il rimessaggio, aggiungere uno stabilizzatore. Se si utilizza benzina alchilata, lo stabilizzatore non è necessario. Se si utilizza benzina standard, non passare alla benzina alchilata. Ciò può causare l'indurimento dei componenti sensibili di gomma. Aggiungere lo stabilizzatore alla benzina nel serbatoio o nel contenitore utilizzato per il rimessaggio. Utilizzare sempre i rapporti di miscelazione indicati dal produttore. Aggiungere lo stabilizzatore e far funzionare il motore per almeno 10 minuti, finché il carburante non fluisce nel carburatore.



AVVERTENZA: Non conservare il prodotto con del carburante nel serbatoio in un luogo chiuso o in luoghi con scarsa circolazione d'aria. Se i vapori tossici entrano a contatto con fiamme, scintille o fiamme pilota, come ad esempio in caldaie, serbatoi d'acqua calda e asciugatrici, sussiste il rischio di incendio.



AVVERTENZA: Rimuovere l'erba, le foglie e altri materiali infiammabili dal prodotto per ridurre il rischio di incendio. Lasciare raffreddare che il prodotto prima del rimessaggio.

- Pulire il prodotto, fare riferimento a *Pulizia del prodotto alla pagina 121*.
- Rimuovere i materiali indesiderati dalla ventola di raffreddamento.
- Ritoccare la vernice danneggiata per evitare la corrosione.
- Esaminare il prodotto per verificare la presenza di componenti usurati o danneggiati e stringere le viti e i dadi allentati.
- Rimuovere la batteria. Pulirla, caricarla e conservarla in un luogo fresco durante il rimessaggio.
- Cambiare l'olio motore e smaltire l'olio di scarico.
- Svuotare il serbatoio del carburante. Avviare il motore e farlo girare fino a quando non si esaurisce tutto il carburante nel carburatore.

Nota: Non svuotare il serbatoio del carburante e il carburatore se si è aggiunto lo stabilizzatore.

- Rimuovere i tappi e versare circa un cucchiaino di olio motore in ogni cilindro. Ruotare manualmente l'albero motore per applicare uniformemente l'olio e riavvitare i tappi.
- Lubrificare tutti gli ingrassatori, i giunti e gli assali.
- Conservare il prodotto in un'area pulita e asciutta e coprirlo per una maggiore protezione.

목차

| | | | |
|----------|-----|------------------|-----|
| 서문..... | 124 | 유지 보수..... | 130 |
| 안전성..... | 125 | 고장 수리..... | 130 |
| 설치..... | 127 | 운송, 보관 및 폐기..... | 130 |
| 작동..... | 129 | | |

서문

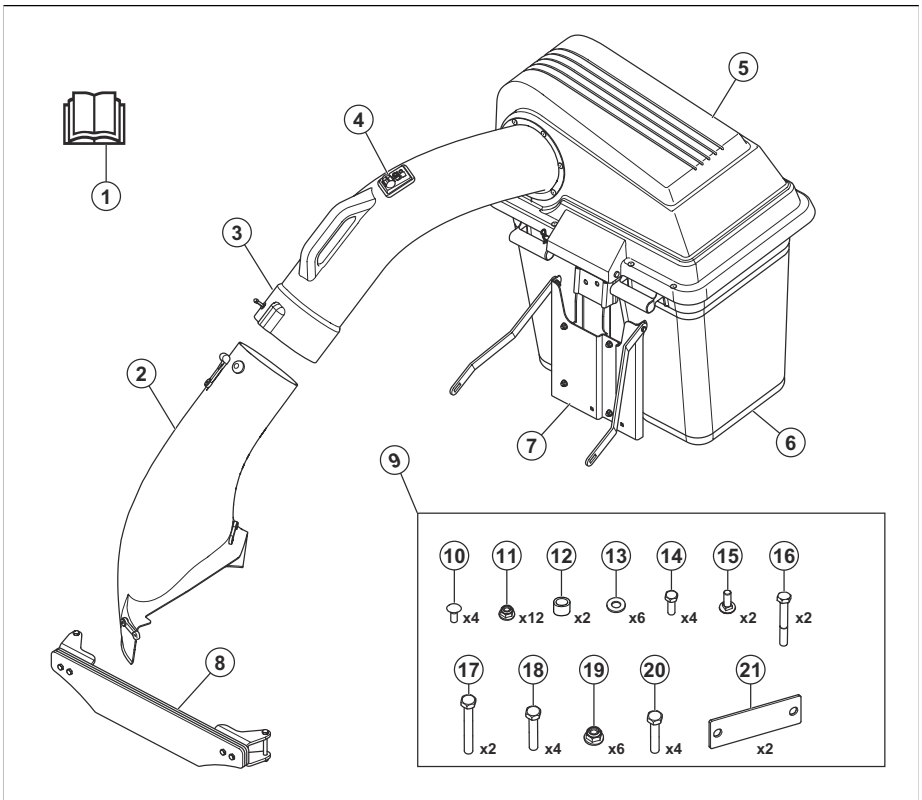
제품 설명

이 제품은 잔디 수거 시스템입니다. 수거한 잔디는 잔디밭이나 화단에 퇴비로 사용하거나 마당 폐기물로 폐기할 수 있습니다.

고유 용도

이 제품은 잔디 깎기 작업을 할 때 잔디를 모아 잔디밭을 깔끔하게 유지할 수 있도록 제작되었습니다. 제품을 다른 작업에 사용하지 마십시오.

제품 개요



- | | |
|---------------|-------------------------|
| 1. 사용자 설명서 | 8. 전방 중량 |
| 2. 측면 배출구 | 9. 하드웨어 백 |
| 3. 집수구 | 10. 캐리지 볼트, 5/16-18x3/4 |
| 4. 통 가늌 참 표시기 | 11. 너트, 5/16 |
| 5. 후드 | 12. 스페이서 |
| 6. 통 | 13. 와셔 |
| 7. 수거기 브래킷 | 14. 육각 볼트, 5/16-18x1 |

- 15. 캐리지 볼트, 5/16-18x1-1/4
- 16. 육각 볼트, 5/16-18x2-1/4
- 17. 육각 볼트, 3/8-16x3-1/2
- 18. 육각 볼트, 3/8-16x2-1/2
- 19. 너트, 3/8
- 20. 육각 볼트, 3/8-16x2-1/4
- 21. 보강판

- 제품이 올바르게 수리된 경우
- 제품이 제조업체에서 제공하지 않았거나 승인하지 않은 부품으로 수리된 경우
- 제품에 제조업체에서 제공하지 않았거나 승인하지 않은 액세서리가 있는 경우
- 제품이 인가된 서비스 센터 또는 인가된 기관에서 수리되지 않은 경우

제품 손상

다음과 같은 경우 당사는 제품의 손해에 대해 책임을 지지 않습니다.

안전성

안전 정의

설명서에서 특히 중요한 부분을 가리킬 때 경고, 주의 및 주가 사용됩니다.



경고: 설명서의 지시사항을 준수하지 않을 경우 작업자나 옆에 있던 사람이 부상을 입거나 사망할 위험이 있을 때 사용됩니다.



주의: 설명서의 지시사항을 준수하지 않을 경우 제품, 다른 재료 또는 인접한 지역에서 피해가 발생할 위험이 있을 때 사용됩니다.

주: 주어진 상황에 대한 정보를 추가로 제공할 때 사용됩니다.

일반 안전 지침



경고: 제품을 사용하기 전에 다음 경고를 읽으십시오.



경고: 이 제품은 손과 발을 절단하고 물체를 갑자기 튕겨 나가게 할 수 있습니다. 다음 안전 지침을 준수하지 않을 경우 심각한 부상 또는 사망으로 이어질 수 있습니다.



경고: 작동 방식을 조심해서 따르지 않으면 사용자나 다른 사람이 위험한 상해를 입을 수 있습니다. 소유자는 이 지침을 이해해야 하며, 이 지침을 이해한 승인된 사람만 잔디 깎기를 작동할 수 있도록 해야 합니다. 깎기 기계를 작동하는 모든 사람은 정신과 육체가 건강해야 하며 정신에 영향을 주는 물질의 영향을 받지 않아야 합니다.

- 이 문서, 사용자 설명서, 제품, 엔진, 부착물에 있는 지침 및 경고를 읽고 이해하며 따르십시오.

- 이 제품을 책임지고, 교육을 받고, 지침을 숙지하고, 물리적으로 작동할 수 있는 작업자만 제품을 작동하도록 허용하십시오.
- 부상이나 사고가 발생할 경우를 대비해 누군가에게 제품을 조작할 것이라고 알리도록 합니다.
- 승객을 태우지 말고 구경꾼이 가까이 오지 않도록 하십시오.
- 알코올이나 약물의 영향을 받는 동안에는 제품을 작동하지 마십시오.
- 휠 중량 또는 카운터웨이트에 대한 제조업체의 권장 사항을 따르십시오.
- 제품 및 해당 제어 장치를 안전하게 사용하는 방법과 제품을 빠르게 정지하는 방법을 익히십시오.
- 안전 그림을 인식하는 방법을 배웁니다.
- 표시와 스티커를 명확하게 읽을 수 있도록 제품을 깨끗하게 유지하십시오.
- 인명이나 재산상 발생할 수 있는 사고에 대한 책임이 작업자에게 있음을 기억하십시오.
- 낮 또는 빛이 잘 드는 상태에서만 제품을 사용합니다. 바닥에 구멍이 있거나 기타 불규칙한 부분이 있는 곳으로부터 안전한 거리를 유지하십시오. 다른 가능한 위험이 있는지 살펴보십시오.
- 어린이나 제품 작동 승인을 받지 않은 다른 사람이 제품을 사용하거나 정비하지 못하게 하십시오. 현지 법에 따라 사용자의 연령이 규정될 수 있습니다.
- 엔진을 시동하거나, 구동을 계속하거나, 제품을 이동하기 시작할 때 제품 주변에 다른 사람이 없는지 확인하십시오.
- 도로 근처에서 잔디를 깎거나 도로를 가로질러 이동할 때는 교통 상황을 주시하십시오.
- 피로한 상태, 알코올 및 마약, 약물 또는 기타 시력, 주의력, 협응 능력 및 판단력에 부정적 영향을 미칠 수 있는 물질의 영향을 받는 상태에서는 절대 이 제품을 사용해서는 안 됩니다.
- 항상 엔진을 정지한 상태로 평평한 표면에 제품을 주차하십시오.
- 제조업체의 동의 없이 비표준 장비를 개조하거나 장치에 설치하지 마십시오. 장치를 개조하면 안전하지 않은 작동이 발생하거나 장치가 손상될 수 있습니다.

아동에 관한 안전 지침



경고: 어린이가 이 제품으로 인해 심각한 상처를 입거나 사망할 수 있습니다. 제품을 사용하기 전에 다음 경고 지침을 읽으십시오. 어린이의 접근을 막으십시오.

- 운전자나 어린이의 존재를 인지하지 못할 때 비극적인 사고가 발생할 수 있습니다. 어린이는 제품 및 잔디 깎기 활동에 호기심을 갖기 쉽습니다. 어린이가 마지막으로 본 곳에서 머물러 있을 거라고 가정하지 마십시오.
- 어린이가 작업 구역에 접근하지 못하도록 하고 작업자 이외의 어른이 책임을 지고 감독하십시오.
- 작업 구역에 어린이가 들어오면 즉시 제품을 멈추고 주의하십시오. 시야를 방해할 수 있는 모서리, 덩굴, 나무 등과 같은 물체 근처에서는 특히 주의해야 합니다.
- 어린이를 볼 수 없는 사각지대, 관목, 나무 또는 기타 물체에 접근할 때는 특히 주의하십시오.
- 제품을 후진으로 이동하기 전과 이동하는 동안 뒤쪽을 살피고 어린이가 있는지 아래를 살펴보십시오.
- 어린이가 제품을 조작하지 못하도록 하십시오.
- 미국소아과학회는 어린이가 탑승용 잔디 깎는 기계를 작동할 경우 16세 이상을 권장합니다.
- 날을 끈 상태라도 어린이를 태우지 마십시오. 어린이가 떨어져 심각한 상처를 입거나 안전한 제품 작동을 방해할 수 있습니다. 이전에 제품을 타본 적이 있는 어린이는 제품에 다시 타기 위해 잔디 절단 구역에 갑자기 나타날 수 있으며 제품에 치일 수 있습니다.

작동에 대한 안전 지침



경고: 제품을 사용하기 전에 다음 경고 지침을 읽으십시오.

- 수거기가 완전히 설치되지 않은 경우 잔디 깎기를 작동하지 마십시오.
- 전방 중량이 설치되지 않은 경우 수거 시스템을 사용하여 잔디 깎기를 작동하지 마십시오.
- 수거 시스템을 열기 전에 모든 움직이는 부품이 멈춰 있는지 확인하십시오.
- 수거 시스템에서 막힌 잔디를 제거하기 전에 움직이는 모든 부품이 정지되었는지 확인하십시오.
- 날 안에 끼여 튕겨 나올 수 있는 돌, 장난감, 전선 등과 같은 물체는 작업 구역에서 제거하십시오.
- 책임감 있는 성인만 제품을 조작하게 하십시오.
- 잔디를 깎기 전에 사람과 반려동물이 해당 영역에 없는지 확인하십시오. 누군가 해당 구역에 들어오면 제품을 정지하십시오.
- 회전하기 전에 속도를 줄이십시오.
- 코너를 돌기 전에 속도를 줄이십시오.
- 제품을 작동하지 않을 때는 날을 분리하십시오.
- 제품을 작동하기 전에 수거기 커버를 닫으십시오.
- 물체가 튕길 경우 위험할 수 있는 구역을 지나갈 때는 잔디 깎기 날을 분리하십시오.

- 수거 시스템에서 튕길 수 있는 물체를 수거하려고 하지 마십시오.
- 제품을 사용하는 동안 시각 보호 장구를 착용하십시오. 물체가 튕길 경우 눈에 손상을 입을 수 있습니다.
- 사용 후와 보관 전에는 풀밭이 통이 비어 있는지 확인하십시오. 풀밭이 통에 남아 있는 잔디는 자연 연소를 유발하여 화재를 일으킬 수 있습니다.
- 데이터는 탑승식 잔디 깎기 관련 부상에서 60세 이상의 작업자의 비율이 높음을 나타냅니다. 이러한 작업자는 자신과 타인이 부상을 입지 않도록 안전하게 탑승식 잔디 깎기를 작동할 수 있는지 평가해야 합니다.

수거 시스템 설치 전 안전 지침



경고: 제품을 사용하기 전에 다음 경고 지침을 읽으십시오.

- 평평한 지면에 파킹하십시오.
- 주차 브레이크를 설정하십시오.
- 제어 레버를 중립 위치로 설정합니다.
- 엔진을 정지하고 접합 킴를 제거하십시오.
- 수거 시스템을 설치하기 전에 모든 움직이는 부품이 멈춰 있는지 확인하십시오.

경사지에서의 작동에 대한 안전 지침



경고: 제품을 사용하기 전에 다음 경고 지침을 읽으십시오.

경사는 사고와 관련된 주요 요소입니다. 경사면에서 작업하는 경우 극도로 주의를 기울여야 합니다.

- 경사면에서 제조업체의 권장 방향으로 주행하십시오. 승차차장 가까이에서 작동할 때는 주의하십시오.
- 젖은 잔디를 깎지 마십시오. 타이어가 견인력을 잃을 수 있습니다.
- 트랙션, 스티어링 또는 안정성이 문제가 되는 조건에서는 제품을 작동하지 마십시오. 바퀴가 정지해도 타이어가 미끄러질 수 있습니다.
- 경사를 내려갈 때는 항상 제품에 기어를 넣은 상태로 유지하십시오. 내리막에서 타력 주행하지 마십시오.
- 경사면에서는 시동과 정지를 피하십시오. 속도나 방향을 갑자기 변경하지 마십시오. 천천히 그리고 점차적으로 회전하십시오.
- 타이어의 견인력이 상실된 경우, 날을 분리하고 천천히 경사를 따라 내려가십시오.
- 풀밭이 통 또는 기타 부착물과 함께 제품을 작동할 때는 각별히 주의하십시오. 제품의 안정성에 영향을 줄 수 있습니다.
- 경사면의 잔디를 절단하면 제품을 제어하지 못해 제품이 뒤집힐 위험이 커집니다. 이로 인해 중상 또는 사망 사고가 발생할 수 있습니다. 모든 경사면에서는 잔디를 주의해서 깎아야 합니다. 경사면에서 후진해서 올라갈 수 없거나 안전하게 느껴지지 않으면 잔디를 깎지 마십시오.

- 돌, 가지, 기타 장애물을 제거하십시오.
- 경사면의 잔디를 좌우로 자르지 말고 위아래로 자르십시오.
- 경사가 10°를 초과하는 지면에서는 제품을 작동하지 마십시오.
- 경사지에서 부드럽게 천천히 움직입니다.
- 주의를 기울이고 고랑, 구멍, 요철 위를 지나가지 마십시오. 평평하지 않은 지면에서는 제품이 뒤집힐 위험이 커집니다. 키가 큰 잔디에 장애물이 숨어있을 수 있습니다.
- 가장자리, 배수로 또는 독에서는 잔디를 깎지 마십시오. 이러한 위험으로부터 최소한 기계 너비만큼 거리를 두도록 하십시오. 휠이 가파른 경사면의 모서리 또는 배수로를 지나거나 모서리가 무너지면 제품이 갑자기 뒤집힐 수 있습니다.

유지 보수에 대한 안전 지침



경고: 제품을 사용하기 전에 다음 경고 지침을 읽으십시오.



경고: 제품이 무겁기 때문에 부상이나 재산 또는 주변 영역에 손상이 발생할 수 있습니다. 다음과 같은 조건이 아닌 경우 엔진이나 절단 데크의 유지 보수를 수행하지 마십시오.

- 엔진이 꺼져 있습니다.
- 제품이 평평한 표면에 파킹되어 있습니다.
- 파킹 브레이크가 체결되어 있습니다.
- 접화 키가 정지 위치에 있고 제거되어 있습니다.
- 날이 풀려 있습니다.
- 모든 움직이는 부품이 정지되었습니다.
- 접화 케이블이 접화 플러그에서 뺐혀 있습니다.



경고: 압력을 받아 빠져나가는 액체는 피부를 관통하여 심각한 부상을 입힐 수 있는 충분한 힘을 가지고 있습니다. 피부에 유체가 주입된 경우 즉시 의사의 진료를 받으십시오.

를 받으십시오. 높은 압력으로 유체를 배출하는 핀 구멍 또는 노즐에서 몸과 손을 멀리하십시오. 누출이 발생하면 즉시 숙련된 기술자에게 제품 수리를 의뢰하십시오.



경고: 엔진에서 나오는 배기가스에는 무취의 독성이 있는 매우 위험한 가스인 일산화탄소가 포함되어 있습니다. 밀폐된 공간 또는 공기 흐름이 충분하지 않은 공간에서는 제품을 작동하지 마십시오.

- 제품을 양호한 상태로 유지하십시오. 마모되거나 손상된 부품을 교체합니다.

날을 수리할 때는 주의하십시오. 날을 감싸거나 장갑을 착용하십시오. 손상된 날을 교체하십시오. 날을 수리하거나 변경하지 마십시오.

장착된 경우, 수리하기 전에 접화 플러그 및 음극 배터리 케이블을 분리하십시오.

최적의 성능과 안전을 위해서는 정해진 유지 보수 일정에 따라 정기적으로 제품을 유지 보수하십시오. *유지 보수 일정 페이지의 130을(를)* 참조하십시오.

- 감전으로 인해 부상이 발생할 수 있습니다. 엔진이 켜져 있을 때는 케이블을 만지지 마십시오. 접화 시스템에서 손가락으로 기능 테스트를 하지 마십시오.
- 엔진 근처에서 유지 보수를 수행하기 전에 제품을 식히십시오.
- 날이 날카로워서 베이는 상처가 생길 수 있습니다. 날에 작업할 때는 날 주변에 방풍 장치를 설치하고 보호 장갑을 사용하십시오.
- 접화 플러그 또는 접화 케이블이 제거되어 있으면 엔진을 뒤집지 마십시오.
- 모든 너트와 볼트가 제대로 조여져 있는지, 장비의 상태가 양호한지 확인하십시오.
- 속도 제한 장치의 조정을 변경하지 마십시오. 엔진 속도가 너무 빠르면 제품 구성요소가 손상될 수 있습니다.
- 제품은 제조업체에서 원래 공급하거나 권장한 장비만 사용해서 승인합니다.
- 수리할 때는 정품 부품만 사용하십시오. 다른 부품을 사용할 경우 보증이 무효화됩니다.

설치

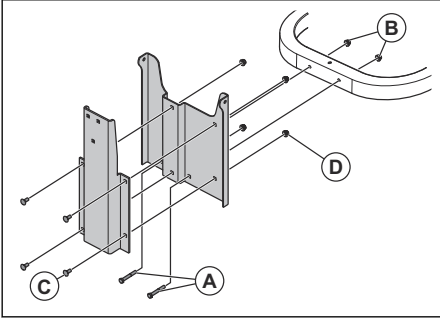
서문



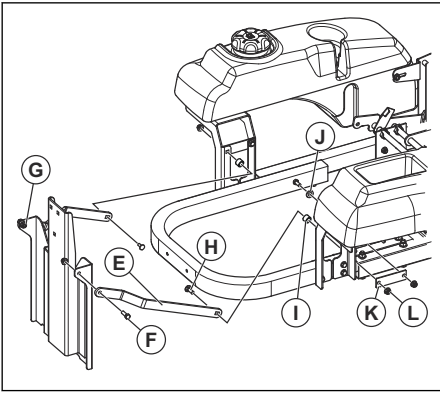
경고: 제품을 설치하기 전에 다음 '안전' 장을 읽고 이해하십시오.

수거기 브래킷 설치

1. 지지 브래킷을 5/16-18x2-1/4 육각 볼트(A) 2개와 5/16 너트(B) 2개로 프레임에 설치합니다.



2. 4개의 5/16-18x3/4 캐리지 볼트(C)와 4개의 5/16 너트(D)로 행거 브래킷을 지지 브래킷에 설치합니다.
3. 지지 브래킷에 지지 스트랩을 설치합니다.

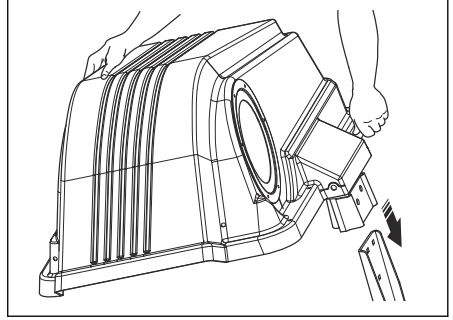


4. 5/16-18x1-1/4 캐리지 볼트(F) 2개와 5/16 너트(G) 2개를 사용하여 스트랩(E)을 지지 브래킷에 설치합니다.
5. 5/16-18x1 육각 볼트(H) 4개, 스페이서(I) 2개, 와셔(J) 2개, 보강판(K) 2개, 5/16 너트(L) 4개로 스트랩을 탱크 브래킷에 설치합니다.

수거기 후드 설치

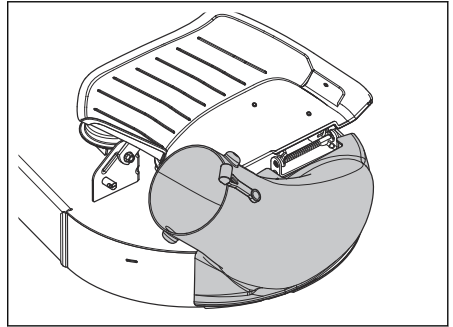
1. 수거기 브래킷을 설치합니다. 수거기 브래킷 설치 페이지의 128을(를) 참조하십시오.

2. 수거기 브래킷에 수거기 후드를 장착합니다.



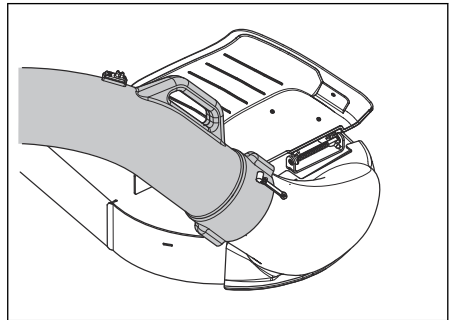
측면 배출구 설치

1. 측면 배출 덮개를 들어 올립니다.
2. 측면 배출구를 덮개 브래킷 주위에 놓습니다.
3. 잔디 깎기 데크에 측면 배출구 래치를 부착합니다.



집수구 설치

1. 집수구를 측면 배출구에 놓습니다.
2. 스트랩을 부착합니다.

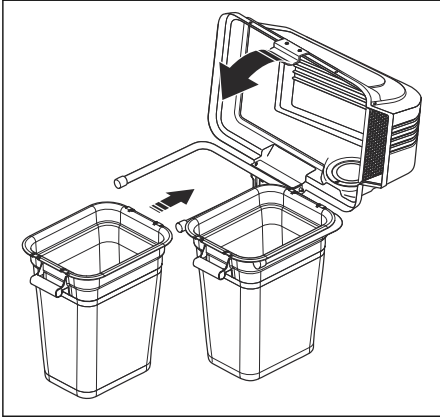


3. 집수구를 수거기 후드의 구멍에 넣습니다.

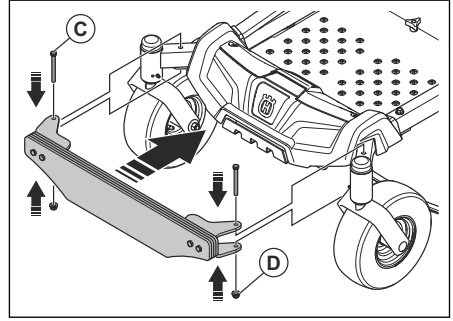
통 설치

1. 수거기 후드를 기울입니다.
2. 지지 프레임에 통 2개를 놓습니다.

3. 수거기 후드를 닫습니다.



2. 브래킷의 구멍을 프레임의 구멍에 맞춥니다.



3. 3/8-16x3-1/2 볼트(C)와 3/8 너트(D)를 장착합니다.

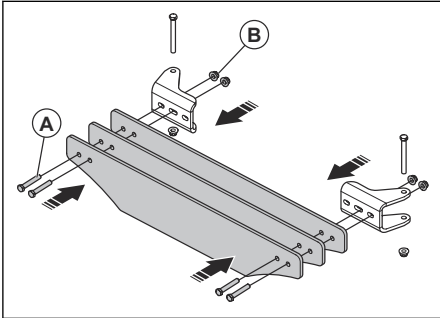
4. 모든 너트를 조입니다.

전방 중량 설치



경고: 전방 중량 없이 수거 시스템을 사용하지 마십시오.

1. 전방 중량판을 브래킷에 3/8-16x2-1/4 육각 볼트 (A) 4개와 3/8 너트(B) 4개로 설치하십시오. 너트를 완전히 조이지 마십시오.



작동

서문



경고: 제품을 사용하기 전에 '안전' 장을 읽고 이해해야 합니다.

제품 작동 방법

- 잔디 깎기의 사용자 설명서에서 제공하는 작동 지침을 따르십시오.
- 수거 시스템을 사용할 때는 엔진을 최고 속도로 작동하십시오.
- 좋은 절단 결과와 좋은 수거 결과를 얻으려면 제품을 지속적으로 전진시키십시오.

- 잔디가 높고 두꺼운 경우 잔디를 2회 자릅니다. 처음에는 가장 높은 절단 높이에서 절단을 시작하고, 다음에는 올바른 높이에서 절단합니다.
- 잔디 깎기의 왼쪽을 사용하여 물체 근처에서 자릅니다.
- 젖은 잔디를 깎지 마십시오. 잔디가 젖어있는 경우 수거 시스템에서 막힐 가능성이 더 높습니다.
- 수거 시스템이 잘린 풀을 수거하지 않을 경우 풀받이 통을 비우십시오. 풀받이 통이 비었을 때 문제가 지속되면 집수구가 막히지 않았는지 확인하십시오.
- 느슨한 물체에 부딪힌 경우 잔디 깎기를 중지하고 수거 시스템이 손상되지 않았는지 확인하십시오.
- 집수구가 꼬이지 않도록 하십시오.

- 집수구를 건물 옆이나 다른 딱딱한 표면을 따라 끌지 마십시오.

유지 보수

지침

X = 지침은 이 사용자 설명서에 나와 있습니다.
O = 엔진 설명서에서 지침을 참조하십시오.



경고: 유지 보수 작업을 수행하기 전에 '안전' 장을 읽고 이해해야 합니다.

작업자를 위한 유지 보수 일정

유지 보수 일정

* = 지침은 이 사용자 설명서에 나와 있지 않습니다.

| 유지 보수 | 일일 유지 보수 | 유지 보수 간격(시간) | | |
|----------------------|----------|--------------|----|----|
| | 사용 전 | 5 | 25 | 50 |
| 풀밭이 통을 점검하고 청소하십시오. | X | X | | |
| 너트와 나사가 조여졌는지 확인합니다. | X | | | |
| 집수구가 조여졌는지 확인합니다. | X | | | |
| 제품을 청소합니다. | | | | X |

제품을 청소하는 방법

- 브러시를 사용하여 제품에서 원치 않는 물질과 잔디를 제거합니다.

- 필요한 경우 고압 와셔와 약한 세척제를 사용하십시오. 1000psi(68.9bar)의 수압을 초과하지 마십시오.

고장 수리

고장 수리 일정

이 사용자 설명서에서 문제에 대한 해결책을 찾을 수 없는 경우 Husqvarna 서비스 대리점에 문의하십시오.

| 문제 | 원인 |
|----------------------|-------------------------------|
| 공기 흐름 손실. | 집수구 또는 수거기 커버 흡입구가 막혔습니다. |
| | 용기가 가득 찼습니다. |
| | 수거기의 패브릭이 막혔습니다. |
| 비정상적인 진동 또는 소음. | 단단한 물체가 수거기에 있습니다. |
| | 느슨하거나 빠진 나사 또는 너트 |
| 수거기 커버가 쉽게 닫히지 않습니다. | 수거기에 있는 물체로 인해 수거기 커버가 막혔습니다. |
| | 수거기 커버 힌지 나사가 너무 꽉 조여져 있습니다. |

운송, 보관 및 폐기

운송

- 제품을 끌지 마십시오.

- 제품이 무거워 압력 부상을 유발할 수 있습니다. 차량 또는 트레일러에 적재하거나 내릴 때 주의하십시오.

- 최대 작동 각도가 10°인 승인된 램프에 제품을 반대 방향으로 적재하십시오. 제품을 들어 올리지 마십시오.
- 제품을 운반할 때는 승인된 트레일러를 사용하십시오.
- 트레일러 또는 도로에서 제품을 운송하기 전에 현지 도로 교통 규정을 숙지하십시오.
- 스트랩과 같은 승인된 장치로 제품을 잠그십시오. 제품의 고정 지점 또는 프레임의 해당 영역을 사용합니다. 파킹 브레이크는 운송 중 제품을 잠그기에 충분하지 않습니다.
- 모든 그리스 주입구, 조인트, 액셀을 윤활하십시오.
- 제품을 깨끗하고 건조한 장소에 보관하고 덮어서 더 안전하게 보호하십시오.

보관

시즌이 끝나면 보관 30일 이상 전에 제품을 보관할 준비를 하십시오. 연료 탱크에 연료를 30일 이상 넣어두면 끈적이는 입자로 인해 기화기가 막힐 수 있습니다.. 이는 엔진 기능에 부정적인 영향을 줍니다.

보관 중 끈적이는 입자를 방지하려면 스태빌라이저를 추가하십시오. 알킬레이트 가솔린을 사용한 경우 스태빌라이저가 필요하지 않습니다. 일반 휘발유를 사용한다면 알킬레이트 가솔린으로 바꾸지 마십시오. 이렇게 하면 민감한 고무 부품이 경화될 수 있습니다. 탱크 또는 보관 용기의 연료에 스태빌라이저를 추가하십시오. 항상 제조업체에서 지정한 혼합 비율을 사용하십시오. 스태빌라이저를 추가하고 연료가 기화기로 흐를 때까지 엔진을 최소 10분 동안 작동하십시오.



경고: 탱크에 연료가 있는 상태에서 제품을 실내 또는 통기가 좋지 않은 장소에 두지 마십시오. 연료 증기가 화염이나 불꽃 또는 보일러, 온수 탱크, 의류 건조기 같은 점화용 불씨 근처에 있으면 화재의 위험이 있습니다.



경고: 화재의 위험을 줄이기 위해 제품에서 풀, 낙엽, 기타 인화성 물질을 제거하십시오. 제품을 보관하기 전에 식히십시오.

- 제품을 청소하려면 다음을 참조하십시오 *제품을 청소하는 방법 페이지의 130*.
- 냉각 팬에서 원치 않는 물질을 제거하십시오.
- 부식을 방지하기 위해 페인트가 손상된 부분을 수리하십시오.
- 제품에서 마모 또는 손상된 부분을 점검하고 느슨한 나사와 너트를 조이십시오.
- 배터리를 분리하십시오. 보관 시에는 배터리를 덮고 충전하여 서늘한 곳에 보관하십시오.
- 엔진 오일을 교환하고 폐오일을 버리십시오.
- 연료 탱크를 비우십시오. 엔진을 시동하고 기화기에 연료가 남아 있지 않을 때까지 작동하십시오.

주: 스태빌라이저를 추가한 경우 연료 탱크와 기화기를 비우지 마십시오.

- 플러그를 분리하고 엔진 오일을 테이블스푼으로 한 스푼 정도 실린더에 넣으십시오. 엔진 축을 수동으로 돌려서 오일을 공급해 준 다음, 플러그를 다시 장착합니다.

TURINYS

| | | | |
|-----------------|-----|--|-----|
| Įvadas..... | 132 | Techninė priežiūra..... | 138 |
| Sauga..... | 133 | Gedimai ir jų šalinimas..... | 138 |
| Diegimas..... | 136 | Transportavimas, saugojimas ir utilizavimas..... | 139 |
| Naudojimas..... | 137 | | |

Įvadas

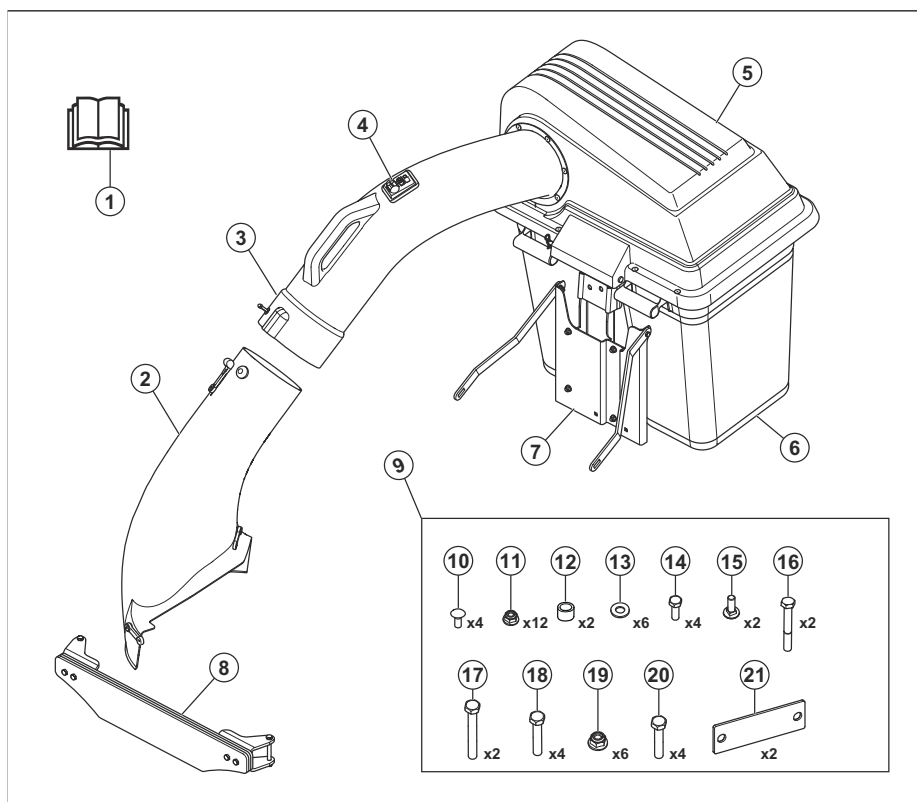
Gaminio aprašas

Šis gaminy – žolės surinkimo sistema. Surinkta žolė gali būti naudojama kaip vejos arba gėlynų kompostas arba gali būti išmesta kaip sočių atliekos.

Numatytoji paskirtis

Šis gaminy sukurtas nupjautai žolei surinkti pjovimo metu, kad veja atrodytų nepriekaištingai. Nenaudokite gaminio kitiems darbams.

Gaminio apžvalga



1. Naudojimo instrukcija
2. Šoninio išmetimo įtaisas
3. Rinktuvo įtaisas
4. Pilno maišo indikatorius
5. Gaubtas
6. Krepšiai

7. Rinktuvo laikiklis
8. Priekinė atsvara
9. Įrankių krepšys
10. Prikabinimo varžtas, 5/16–18x3/4
11. Veržlė, 5/16
12. Tarpinė įvorė

13. Poveržlė
14. Varžtas su šešiabriaune galvute, 5/16–18x1
15. Prikabinimo varžtas, 5/16–18x1-1/4
16. Varžtas su šešiabriaune galvute, 5/16–18x2–1/4
17. Varžtas su šešiabriaune galvute, 3/8–16x3–1/2
18. Varžtas su šešiabriaune galvute, 3/8–16x2–1/2
19. Veržlė, 3/8
20. Varžtas su šešiabriaune galvute, 3/8–16x2–1/4
21. Sustiprinimo plokštė

Produkto pažeidimai

Mes neatsakome už mūsų gaminio sugadinimą, jei:

- gaminys netinkamai suremontuotas;
- gaminys suremontuotas naudojant kito gamintojo arba gamintojo nepatvirtintas dalis;
- gaminys turi kito gamintojo arba gamintojo nepatvirtintą priedą;
- gaminys suremontuotas ne patvirtintame techninės priežiūros centre arba jį suremontavo ne patvirtintas atstovas.

Sauga

Saugos ženklų reikšmės

[spėjimai, perspėjimai ir pastabos yra skirtos atkreipti dėmesį į ypač svarbias vadovo dalis.



PERSPĖJIMAS: Naudojamas, kai naudotojui ar šalia esantiems asmenims kyla mirtino arba sunkaus sužeidimo pavojus arba, jei nesilaikoma vadove pateiktų nurodymų.



PASTABA: Naudojamas, kai kyla pavojus sugadinti gaminį, kitas medžiagas arba padaryti žalą aplinkai, jei nesilaikoma vadove pateiktų nurodymų.

Pasižymėkite: Naudojamas papildomai informacijai apie konkrečią situaciją pateikti.

Bendrieji saugos nurodymai



PERSPĖJIMAS: Prieš naudodami gaminį, perskaitykite toliau esančius įspėjimus



PERSPĖJIMAS: Šis gaminys gali nupjauti rankas ir pėdas, taip pat išsviesti daiktus. Nesilaikant toliau pateikiamų saugos nurodymų galima rimtai susižeisti arba žūti.



PERSPĖJIMAS: Nesilaikant saugaus naudojimo taisyklių gali rimtai susižeisti naudotojas arba aplinkiniai. Savininkas privalo suprasti šiuos nurodymus leisti naudotis vežajrove tik patikimiems asmenims, kurie supranta šias instrukcijas. Šią vežajovę galima naudoti tik asmenims be protinių ir fizinių

negalių, be to, ja draudžiama naudoti apsvaigus nuo psichotropinių medžiagų.

- Perskaitykite, įsigilinkite ir laikykitės visų šiame dokumente, naudotojo instrukcijoje ir ant gaminio, variklio bei priedų pateiktų nurodymų ir įspėjimų.
- Dirbti su šiuo gaminiu leiskite tik atsakingiems operatoriams, kurie yra išmokyti dirbti, susipažinę su šia instrukcija ir yra fiziškai pajėgūs valdyti šį gaminį.
- Būtinai informuokite, kad ketinate naudoti gaminį, jei susižeistumėte ar įvyktų nelaimingas atsitikimas.
- Nevežkite keleivių ir neleiskite pašaliniam asmeniui artintis.
- Nedirbkite gaminiu, jeigu vartojote alkoholio ar narkotikų.
- Atsižvelkite į gamintojo rekomendacijas ratų svaramenims ar atsvarams.
- Išmokite saugiai naudotis įrenginiu ir valdikliams bei greitai jį sustabdyti.
- Išsiaiškinkite saugos lipdukų reikšmes.
- Nuolat valykite gaminį, kad galėtumėte aiškiai matyti ženklus ir lipdukus.
- Atsiminkite, kad už nelaimingus atsitikimus, kurių metu nukentės asmenys ar turtas, bus atsakingas naudotojas.
- Gaminį naudokite tik šviesiuoju paros metu arba gerai apšviestoje vietoje. Nevažiuokite gaminiu arti duobių ir kitų grunto nelygumų. Saugokitės kitų galimų pavojų.
- Neleiskite vaikams ar kitiems su gaminiu negalintiems dirbti asmenims jo naudoti ar atlikti priežiūros darbų. Vietos teisės aktuose gali būti nustatytas jauniausias amžius, nuo kurio galima naudoti tokius įrenginius.
- Paleisdami variklį, įjungdami pavarą ar pajudėdami iš vietos pasirūpinkite, kad greta nebūtų žmonių.
- Pjudami šalia kelio arba važiuodami per kelią stebėkite eismą.
- Nenaudokite gaminio, jei esate pavargęs, išgėręs alkoholio ar vartojate medikamentus, kurie gali

veikti jūsų regėjimą, budrumą, koordinaciją ar nuovoką.

- Gaminį palikite tik pastatę jį ant lygaus paviršiaus ir išjungę variklį.
- Nemodifikuokite ir nemontuokite prie įrenginio nestandartinės įrangos be gamintojo sutikimo. Modifikuotas įrenginys gali būti pavojingas, o modifikacijos gali sugadinti įrenginį.

Saugos nurodymai dėl vaikų



PERSPĖJIMAS: Šis gaminys gali sunkiai arba mirtinai sužaloti vaikus. Prieš naudodami gaminį, perskaitykite toliau esančius įspėjimus. Saugokite vaikus.

- Tragiška nelaimė gali įvykti, jeigu operatorius nekreipia dėmesio į greta esančius vaikus. Vaikus dažnai domina gaminys ir pjovimo procesas. Niekada nesivadovaukite prielaida, kad vaikai tebėra ten, kur juos paskutinį sykį matėte.
- Vaikai turi būti atokiau nuo darbo zonos ir juos turi prižiūrėti kitas atsakingas suaugęs asmuo, bet ne operatorius.
- Nuolat būkite budrūs ir vaikams atsidūrus darbo zonoje nedelsdami sustabdykite gaminį. Šalia kampo, krūmų, medžių ar kitų vaizdą užstojančių daiktų būkite itin atsargūs.
- Būkite itin atsargūs, kai važiuojate pro kampus, krūmus, medžius ar kitus objektus, kurie jums gali užstoti vaikus.
- Prieš važiuodami gaminio atbuline eiga ir jam važiuojant atbuline eiga žvalgykitės, ar netoliese nėra vaikų.
- Neleiskite vaikams valdyti gaminio.
- Amerikos pediatrių akademija rekomenduoja šią vejąpovę naudoti tik vaikams nuo 16 metų amžiaus.
- Nevežkite vaikų, net jei peilis (-iai) sustabdytas (-i). Jie gali nukristi ir sunkiai susižeisti arba trukdyti saugiai vairuoti gaminį. Vaikai, kuriuos anksčiau pavėžinote, gali netikėtai atsirasti pjovimo zonoje, norėdami dar pasivažinėti, ir gaminys juos gali pervaziuoti arba partrenkti.

Naudojimo saugos instrukcijos



PERSPĖJIMAS: Prieš naudodami gaminį, perskaitykite toliau esančius įspėjimus.

- Nenaudokite vejąpovės, jei rinktuvas ne visiškai sumontuotas.
- Nenaudokite vejąpovės su surinkimo sistema, jei nesumontuotos priekinės atsvaros.
- Prieš atidarydami surinkimo sistemą įsitinkinkite, kad visos judančios dalys sustojo.

- Prieš pašalindami surinkimo sistemoje įstrigusią žolę įsitinkinkite, kad visos judančios dalys sustojo.
- Iš pjaunamo ploto surinkite visus daiktus (akmenis, žaislus, vielas ir t. t.), kurie galėtų įstrigti peiliuose ar būti iš jų išsviesti.
- Gaminį gali eksploatuoti tik atsakingi suaugę asmenys.
- Prieš pradėdami pjauti veją, įsitinkinkite, kad darbo zonoje nėra pašalinių asmenų ar gyvūnų. Sustabdykite gaminį, jeigu kas nors įeina į darbo zoną.
- Prieš pasukdami sumažinkite greitį.
- Prieš pasukdami sumažinkite greitį.
- Kai gaminys nenaudojamas, atjunkite peilius.
- Prieš užvesdami gaminį uždarykite rinktuvo gaubtą.
- Gaminio važiuodami tokiose vietose, kur gali būti pavojų keliančių išsviedžiamų objektų, atjunkite vejąpovės peilius.
- Nebandykite rinkti objektų, kurie gali būti išsviesti iš surinkimo sistemos.
- Naudodami gaminį dėvėkite akių apsaugos priemones. Išsviedžiami objektai gali sužaloti akis.
- Po kiekvieno naudojimo ir prieš padėdami gaminį ištuštinkite surinkimo maišus. Surinkimo maišuose palikta žolė gali netikėtai užsidegti ir sukelti gaisrą.
- Statistika rodo, kad 60 metų ir vyresni naudotojai dirbdami su vejąpove dažniau patiria traumas. Tokie naudotojai turi įvertinti savo galimybes saugiai dirbti su vejąpove, kad patys išvengtų traumų ir apsaugotų nuo jų kitus.

Saugos nurodymai prieš sumontuojant surinkimo sistemą



PERSPĖJIMAS: Prieš naudodami gaminį, perskaitykite toliau esančius įspėjimus.

- Statykite ant lygaus paviršiaus.
- Ijunkite stovėjimo stabdį.
- Valdymo svirtis nustatykite į neutralią padėtį.
- Išjunkite variklį ir ištraukite raktelį.
- Prieš montuodami surinkimo sistemą įsitinkinkite, kad visos judančios dalys sustojo.

Saugos nurodymai dirbant ant šlaitų



PERSPĖJIMAS: Prieš naudodami gaminį, perskaitykite toliau esančius įspėjimus.

Šlaitai yra pagrindinis veiksnys, galintis sukelti nelaimingus atsitikimus. Dirbant ant šlaitų būtinas ypatingas dėmesys.

- Dirbdami ant šlaitų važiuokite gamintojo rekomenduojama kryptimi. Būkite atsargūs dirbdami netoli skardžių.
- Nerekomenduojama pjauti šlapios žolės Padangos gali netekti sukibimo.
- Nenaudokite gaminio jokiomis sąlygomis, kai kyla abejonių dėl sukibimo, vairavimo ar stabilumo. Padangos gali slysti net ir sustabdžius ratus.
- Leidžiantis šlaitu gaminio pavaros visada turi būti įjungtos. Neriedėkite laisva pavara nuokalne.
- Nerekomenduojama ant šlaito sustoti ir pajudėti iš vietos. Staigiai nekeiskite greičio ar krypties. Posūkius įveikite iš lėto ir palaipsniui.
- Jeigu padangos netenka sukibimo, sustabdykite peilius ir lėtai važiuokite tiesiai žemyn šlaitu.
- Būkite itin atidūs, kai naudojate gaminį su žolės griebtuvu ar kitu (-ais) priedu (-ais). Jie gali paveikti gaminio stabilumą.
- Pjaunant žolę ant šlaito padidėja pavojus, kad nesuvaldysite gaminio ir jis apsisvers. Tai gali sukelti sužeidimų arba mirtį. Visus šlaitus būtina pjauti atsargiai. Jeigu negalite šlaitu važiuoti atbulomis arba nesijaučiate saugiai, šlaito nepjaukite.
- Pašalinkite akmenis, šakas ir kitas kliūtis.
- Pjaukite žolę ant šlaito aukštyrį ir žemyn, o ne išilgai, t. y. ne iš vienos pusės į kitą.
- Nevažiuokite gaminio, jei šlaitas yra didesnis nei 10°.
- Šlaituose judėkite tolydžiai ir lėtai.
- Saugokitės ir nevažiuokite virš vagų, duobių ir kupstų. Dirbant ant nelygios žemės padidėja pavojus, kad gaminys gali apvirsti. Aukštoje žolėje kliūtys gali būti nematomos.
- Draudžiama pjauti žolę arti stacių kraštų, griovių ar pylimų. Išlaikykite mažiausiai transporto priemonės pločio atstumą iki tokių pavojų. Vienam ratui nuvažiaus nuo status šlaito ar griovio krašto arba kraštui nuslinkus gaminys gali staiga apvirsti.
- Užvedimo raktelis sustabdymo padėtyje bei ištrauktas.
- Peiliai yra išjungti.
- Neveikia nė viena judamoji dalis.
- Degimo kabeliai atjungti nuo degimo žvakių.



PERSPĖJIMAS: Slėgio veikiamas skystis išsiliejęs gali įsikverbti į odą ir sukelti rimtų sužalojimų. Jei skystis įsikverbia į odą, kreipkitės skubios medicininės pagalbos. Laikykitės atokiai ir neikiškite rankų prie galvučių angų ar purkštukų, iš kurių aukštu slėgiu tiekiamas skystis. Jei atsiranda nuotėkių, nedelsdami kreipkitės į kvalifikuotą specialistą, kad atliktų gaminio techninę priežiūrą.



PERSPĖJIMAS: Variklio išmetamosiose dujose yra anglies monoksido – nuodingų, bekvapių ir labai pavojingų dujų. Neužveskite gaminio uždaroje patalpoje arba nepakankamai vėdinamoje patalpoje.

- Laikykite gaminį tvarkingą. Pakeiskite susidėvėjusias ar apgadintas dalis.
- Būkite atsargūs, kai atliekate peilių techninę priežiūrą. Apvyniokite peilį (-ius) arba mūvėkite pirštines. Pakeiskite pažeistus peilius. Neremontuokite ir nmodifikuokite peilio (-ių).
- Prieš atlikdami remontą, jei yra, atjunkite uždegimo žvakės laidą (-us) ir neigiamą akumulatoriaus laidą.
- Siekdami didžiausio efektyvumo ir saugos, reguliariai atlikite gaminio techninės priežiūros darbus, kaip nurodyta techninės priežiūros grafike. Žr. *Techninės priežiūros grafikas psl. 138*.
- Dėl elektros smūgio galite susižeisti. Varikliui veikiant nelieskite laidų. Nebandykite pirštais patikrinti, ar veikia uždegimo sistema.
 - Prieš atlikdami darbus greta variklio leiskite gaminiiui atvėsti.
 - Peiliai aštrūs, į juos galima įsipjauti. Dirbdami su peiliais juos apvyniokite medžiaga arba mūvėkite apsaugines pirštines.
 - Neapverskite variklio, jei išsukta uždegimo žvakė arba atjungtas uždegimo kabelis.
 - Pasirūpinkite, kad visos veržlės ir varžtai būtų tinkamai priveržti, o įranga būtų geros būklės.
 - Nereguliuokite reguliatorių. Varikliui veikiant per didelėmis apsuksomis, galima pažeisti jo dalis.
 - Gaminys patvirtintas naudoti tik su gamintojo pateikta arba rekomenduojama įranga.
 - Remontuodami naudokite tik originalias dalis. Naudojant kitas dalis, netenkama garantijos.

Techninės priežiūros saugos nurodymai



PERSPĖJIMAS: Prieš naudodami gaminį, perskaitykite toliau esančius įspėjimus.



PERSPĖJIMAS: Gaminys yra sunkus, todėl gali sužeisti arba sugadinti aplinkinį turą. Nesiimkite variklio arba pjovimo agregato priežiūros darbų, kol nepatenkintos šios sąlygos:

- Variklis yra išjungtas.
- Gaminys pastatytas ant lygaus paviršiaus.
- Įjungtas stovėjimo stabdys.

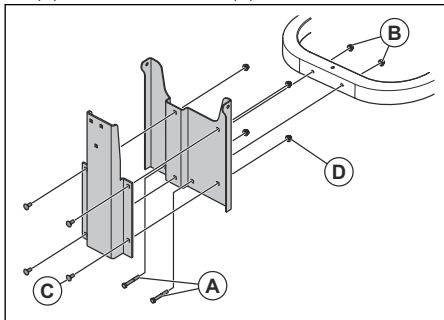
Įvadas



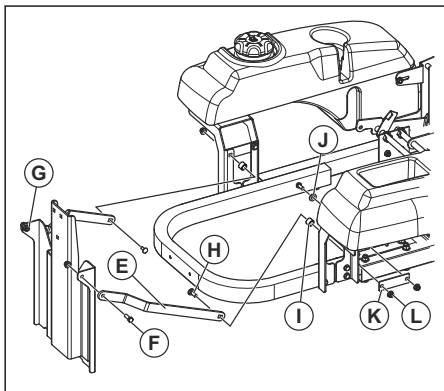
PERSPĖJIMAS: Prieš naudodami gaminį perskaitykite ir supraskite skyrių apie saugą.

Rinktuvo laikiklio montavimas

1. Atramos laikiklį prie rėmo pritvirtinkite 2x 5/16–18x2–1/4 varžtais su šešiabriaunėmis galvutėmis (A) ir 2x 5/16 veržlėmis (B).



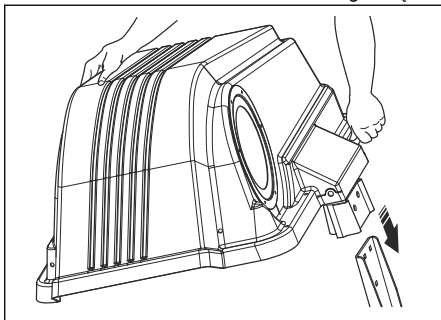
2. Pakabinimo laikiklį prie atramos laikiklio pritvirtinkite 4x 5/16–18x3/4 prikabinimo varžtais (C) ir 4x 5/16 veržlėmis (D).
3. Prie atramos laikiklio pritvirtinkite atraminius diržus.



4. Diržus (E) prie atramos laikiklio pritvirtinkite 2x 5/16–18x1–1/4 prikabinimo varžtais (F) ir 2x 5/16 veržlėmis (G).
5. Diržus prie bako gėmbių pritvirtinkite 4x 5/16–18x1 varžtais su šešiabriaunėmis galvutėmis (H), 2x tarpinėmis įvorėmis (I), 2x poveržlėmis (J), 2x sustiprinimo plokštėmis (K) ir 4x 5/16 veržlėmis (L).

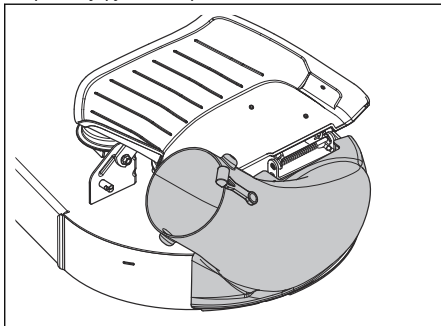
Rinktuvo gaubto montavimas

1. Sumontuokite rinktuvo laikiklį. Žr. *Rinktuvo laikiklio montavimas psl. 136*.
2. Ant rinktuvo laikiklio uždėkite rinktuvo gaubtą.



Šoninio išmetimo įtaiso montavimas

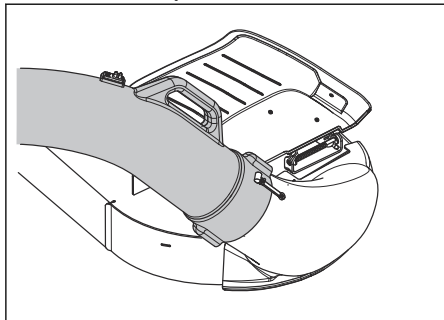
1. Pakelkite šoninio išmetimo gaubtą.
2. Uždėkite šoninio išmetimo įtaisą ant gaubto laikiklio.
3. Pritvirtinkite šoninio išmetimo įtaiso fikсаторius prie veļapјovės korpuso.



Rinktuvo įtaiso montavimas

1. Uždėkite rinktuvo įtaisą išmetimo įtaiso šone.

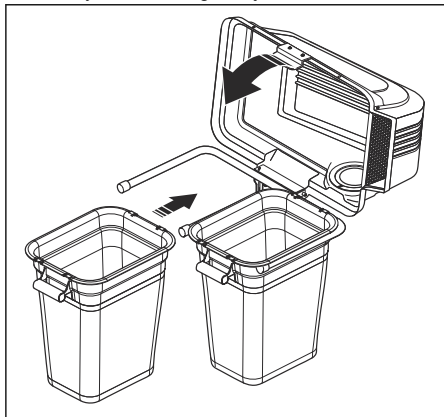
2. Pritvirtinkite diržą.



3. Įstatykite rinktuvo įtaisą į rinktuvo gaubto angą.

Maišų montavimas

1. Pakreipkite rinktuvo gaubtą.
2. Įstatykite 2 maišus į atraminį rėmą.
3. Uždarykite rinktuvo gaubtą.

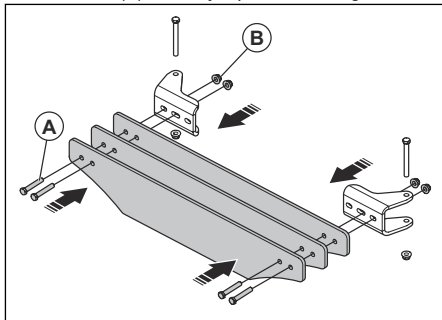


Priekinės atsvaros montavimas

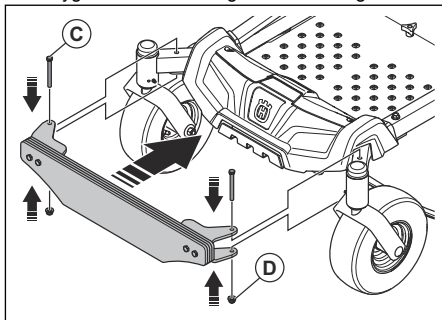


PERSPĖJIMAS: Nenaudokite surinkimo sistemos be priekinių atsvarų.

1. Pritvirtinkite priekinių atsvarų plokštes prie laikiklių 4x 3/8–16x2–1/4 varžtais su šešiabriaunėmis galvutėmis (A) ir 4x 3/8 veržlėmis (B). Veržlių nepriveržkite iki galo.



2. Sulygiuokite laikiklio angas su rėmo angomis.



3. Įsukite 3/8–16x3–1/2 varžtus (C) ir 3/8 veržles (D).
4. Priveržkite visas veržles.

Naudojimas

Įvadas



PERSPĖJIMAS: Prieš naudodami gaminį perskaitykite ir supraskite saugos skyriaus informaciją.

Gaminio naudojimas

- Laikykitės vejpajovės naudojimo instrukcijoje pateiktų eksploataavimo nurodymų.

- Naudodami surinkimo sistemą leiskite varikliui veikti visu greičiu.
- Kad pjovimo ir surinkimo rezultatai būtų geri, gaminys turi judėti į priekį nedideliu greičiu.
- Jei žolė aukšta ir tanki, ją reikia pjauti 2 kartus. Pirmuoju kartu reikia pjauti didžiausiame pjovimo aukštyje, o antruoju – reikiamame aukštyje.
- Arti objektų pjaukite kairiąja vejpajovės puse.
- Nepjaukite šlapios vejos. Drėgna žolė gali užkimšti surinkimo sistemą.

- Jei surinkimo sistema neberenka nupjautos žolės, ištuštinkite surinkimo maišus. Jei ištuštintus surinkimo maišus problema išlieka, patikrinkite, ar neužsikimšo rinktuvo įtaisas.
- Atsitrenkę į palaidą objektą sustabdykite vejąpjovę ir įsitinkite, kad surinkimo sistema nepažeista.
- Saugokite, kad rinktuvo įtaisas nebūtų susuktas.
- Nebraukite rinktuvo įtaisu per pastatų sienas arba kitus kietus paviršius.

Techninė priežiūra

Vadas

X = Nurodymai pateikti šioje naudojimo instrukcijoje.

O = Nurodymus žr. variklio naudojimo vadove.



PERSPĖJIMAS: Prieš atlikdami priežiūros darbus perskaitykite ir supraskite saugos skyriaus informaciją.

Naudotojo priežiūros grafikas

Techninės priežiūros grafikas

* = Nurodymai pateikti ne šioje naudotojo instrukcijoje.

| Techninė priežiūra | Kasdienė techninė priežiūra | Priežiūros intervalas valandomis | | |
|--|-----------------------------|----------------------------------|----|----|
| | Prieš pradėdant darbą | 5 | 25 | 50 |
| Patikrinkite ir išvalykite surinkimo maišus. | X | X | | |
| Patikrinkite, ar varžlės ir varžtai gerai priveržti. | X | | | |
| Įsitinkite, kad rinktuvo įtaisas priveržtas. | X | | | |
| Išvalykite gaminį. | | | | X |

Gaminio valymas

- Pašalinkite nereikalingas medžiagas ir žolę nuo gaminio šepetėlių.

- Jei būtina, naudokite aukšto slėgio plovimo įrenginį ir silpną ploviklį. Vandens slėgis negali viršyti 1000 psi (68,9 bar) vertės.

Gedimai ir jų šalinimas

Trikčių šalinimo schema

Jei šioje naudojimo instrukcijoje savo problemos sprendimo nerandate, kreipkitės į Husqvarna techninės priežiūros atstovą.

| Problema | Priežastis |
|-------------------------------------|---|
| Oro srauto praradimas. | Užsikimšo rinktuvo įtaisas arba rinktuvo gaubto įsiurbimo anga. |
| | Maišas yra pilnas. |
| | Užsikimšo rinktuvo audinys. |
| Neįprasta vibracija arba triukšmas. | Į rinktuvą pateko kietas objektas. |
| | Atsilaisvinę varžtai arba varžlės, arba jų nėra. |

| Problema | Priežastis |
|------------------------------------|---|
| Rinktuvo gaubtas sunkiai užsidaro. | Rinktuve esantys objektai blokuoja ir neleidžia uždaryti rinktuvo gaubto. |
| | Per stipriai priveržti rinktuvo gaubto vyrių varžtai. |

Transportavimas, saugojimas ir utilizavimas

Transportavimas

- Nevilkite gaminio.
- Gaminys yra sunkus ir prispaudęs gali sužeisti. Būkite atsargūs, kai keliate į transporto priemonę ar priekabą arba iš jų.
- Pakraukite gaminį atbuline eiga, naudodami patvirtintas krovimo rampas, kurių pasvirimo kampas yra ne didesnis kaip 10°. Nekelkite gaminio.
- Gaminio transportavimui naudokite patvirtintą priekabą.
- Prieš transportuodami gaminį priekaboje arba keliais turite būti susipažinę su vietinėmis kelių eismo taisyklėmis.
- Pritvirtinkite gaminį patvirtintais įtaisais, pvz., diržais. Naudokite ant gaminio arba ant rėmo esančius tvirtinimo taškus. Stovėjimo stabdys – nepakankama priemonė gabenamam gaminiui įtvirtinti.

Laikymas

Pasibaigus sezonui ir kai neplanuojate naudoti ilgiau nei 30 dienų, paruoškite gaminį laikymui. Jei kuro bako laikysite kurą ilgiau nei 30 dienų, lipnios dalelės gali užkimšti karbiuratorių. Tai neigiamai veikia variklio veikimą.

Tam, kad laikymo metu nesusidarytų lipnios dalelės, įpilkite stabilizatoriaus. Jei naudojate alkilato benzina, stabilizatoriaus pilti nereikia. Jei naudojate standartinį benzina, nekeiskite jo į alkilato benzina. Tai padarius, gali sukietėti jautrios guminės dalys. Į bako esančius arba talpykloje laikomus degalus įpilkite stabilizatoriaus. Visada laikykitės gamintojo nurodyto maišymo santykio. Įpilkite stabilizatoriaus ir paleiskite variklį mažiausiai 10-iai minučių, kol degalai pateks į karbiuratorių.



PERSPĖJIMAS: Nelaikykite gaminio su bako paliktu kuru patalpoje arba vietoje, kuriose prasta oro cirkuliacija. Kils gaisro pavojus, jei kuro garai atsidsurs netoli atviros liepsnos, kibirkščių arba kontrolinių degiklių ar lempučių, pvz., vandens šildytuvuose, karšto vandens bakuose ir drabužių džiovintuvuose.



PERSPĖJIMAS: Norėdami sumažinti gaisro pavojų, nuo gaminio pašalinkite žolę, lapus ir kitas degias medžiagas. Prieš pastatydami laikymui, leiskite gaminiui atvėsti.

- Išvalykite gaminį, kaip nurodyta *Gaminio valymas psl. 138*.
- Pašalinkite nuo aušinimo ventiliatoriaus pašalines medžiagas.
- Uždažykite dažų pažeidimus, kad išvengtumėte korozijos.
- Apžiūrėkite gaminį, ar nėra nusidėvėjusių ar sugadintų dalių, priveržkite atsileidusius varžtus ir veržles.
- Išimkite akumuliatorių. Nuvalykite jį, įkraukite ir laikykite vėsioje vietoje.
- Pakeiskite variklio alyvą ir išmeskite panaudotą alyvą.
- Ištuštinkite degalų bakelį. Paleiskite variklį ir leiskite jam veikti, kol karbiuratoriuje neliks degalų.

Pasižymėkite: Neištuštinkite degalų bako ir karbiuratoriaus, jei įpylėte stabilizatoriaus.

- Išsukite degimo žvakės ir į kiekvieną cilindrą įpilkite po arbatinį šaukštelį variklio alyvos. Rankiniu būdu pasukite variklį apie variklio veleną, kad alyva pasiskirstytų, ir vėl įstatykite žvakės.
- Sutepkite visus tepimo antgalius, jungtis ir ašis.
- Gaminį laikykite švarioje ir sausoje vietoje, saugiai uždengę.

Saturs

| | | | |
|------------------|-----|--|-----|
| levads..... | 140 | Apkope..... | 146 |
| Drošība..... | 141 | Problēmu novēršana..... | 146 |
| Uzstādīšana..... | 144 | Pārvadāšana, glabāšana un utilizēšana..... | 147 |
| Lietošana..... | 145 | | |

levads

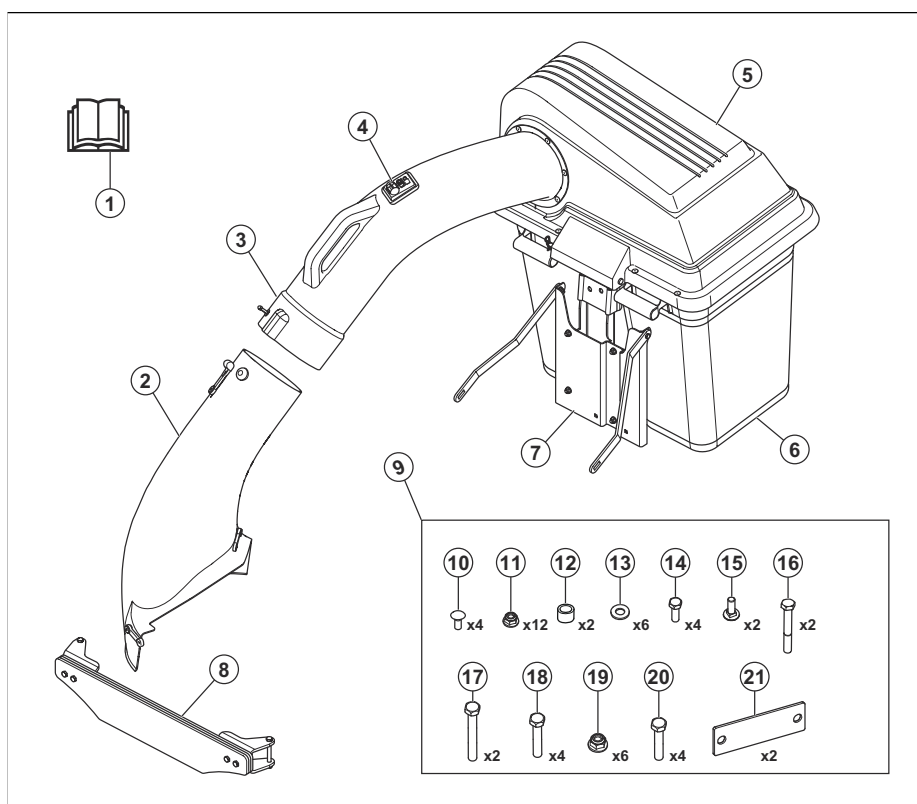
Zāles savākšanas sistēmas apraksts

Šī mašīna ir zāles savākšanas sistēma. Savāktu zāli var izmantot kā kompostu zāliena vai augu dobēm vai utilizēt kā pagalma atkritumus.

Paredzētā lietošana

Šī sistēma ir izgatavota, lai pļaušanas laikā savāktu zāles pārpalikumus, piešķirot zālienam teicamu izskatu. Nelietojiet šo sistēmu citiem uzdevumiem.

Zāles savākšanas sistēmas pārskats



1. Lietotāja rokasgrāmata
2. Sānu izmetes tekne
3. Savācēja tekne
4. Pilna maisa indikators
5. Pārsegs
6. Soma
7. Savācēja kronšteins

8. Priekšējais atsvars
9. Stiprinājumu soma
10. Pamatnes skrūve, 5/16–18×3/4
11. Uzgrieznis, 5/16
12. Starplīka
13. Paplāksne
14. Sešstūra skrūve, 5/16–18×1

15. Pamatnes skrūve, 5/16–18×1-1/4
16. Sešstūra skrūve, 5/16–18×2-1/4
17. Sešstūra skrūve, 3/8–16×3-1/2
18. Sešstūra skrūve, 3/8–16×2-1/2
19. Uzgrieznis, 3/8
20. Sešstūra skrūve, 3/8–16×2-1/4
21. Stiprinājuma plāksne

Produkta bojājumi

Mēs neatbildam par mūsu produkta bojājumiem, ja:

Drošība

Drošības definīcijas

Brīdinājumi, norādes "Uzmanību!" un piezīmes tiek izmantotas, lai izceltu īpaši svarīgas lietotāja rokasgrāmatas daļas.



BRĪDINĀJUMS: Tiek izmantota tad, ja rokasgrāmatā sniegto instrukciju neievērošanas dēļ operatoram vai blakus esošajām personām draud traumu vai nāves risks.



IEVĒROJIET: Tiek izmantota tad, ja rokasgrāmatā sniegto instrukciju neievērošanas dēļ rodas izstrādājuma, citu materiālu vai blakus esošās teritorijas bojājuma risks.

Piezīme: Tiek izmantota, lai sniegtu plašāku informāciju, kas nepieciešama attiecīgajā situācijā.

Vispārīgi drošības norādījumi



BRĪDINĀJUMS: Pirms sākat lietot zāles savākšanas sistēmu, izlasiet zemāk minētos brīdinājumus.



BRĪDINĀJUMS: Šī sistēma var amputēt rokas un pēdas, kā arī izviest priekšmetus. Turpmāk minēto drošības norādījumu neievērošana var radīt smagas vai nāvējošas traumas.



BRĪDINĀJUMS: Neievērojot piesardzību, pastāv bīstamu traumu risks operatoram un citiem. Sistēmas īpašniekam jāizprot šie norādījumi, un šo sistēmu drīkst izmantot tikai apstiprinātas personas, kas izprot šos norādījumus. Visiem, kas izmanto sistēmu, jābūt labā fiziskā stāvoklī un jārīkojas saprātīgi. Sistēmu nedrīkst lietot apreibinošu vielu ietekmē.

- ir veikts nepareizs produkta remonts;
- produkta remonts ir veikts, izmantojot detaļas, ko nav nodrošinājis vai apstiprinājis ražotājs;
- produktam tiek pievienots piederums, ko nav nodrošinājis vai apstiprinājis ražotājs;
- produkta remonts nav veikts pilnvarotā remontdarbnīcā vai pie pilnvarota speciālista.

- Izlasiet, izprotiet un ievērojiet norādījumus un brīdinājumus šajā rokasgrāmatā, lietotāja rokasgrāmatā, kā arī tos brīdinājumus, kas izvietoti uz sistēmas, dzinēja un palgierīcēm.
- Zāles savākšanas sistēmu drīkst lietot tikai tie operatori, kas iepazinušies ar norādījumiem un ir fiziski spējīgi vadīt sistēmu.
- Ja tiek gūta trauma vai notiek kāds negadījums, noteikti informējiet kādu, ka prasāties lietot zāles savākšanas sistēmu.
- Nepārvadājiet pasažierus un neļaujiet nevienam tuvuoties sistēmai.
- Neizmantojiet zāles savākšanas sistēmu, esot alkohola vai zāļu iespaidā.
- Ievērojiet ražotāja ieteikumu attiecībā uz riteņu svaru vai pretsvaru.
- Noskaidrojiet, kā droši lietot zāles savākšanas sistēmu, tās vadības ierīces un kā to ātri apturēt.
- Pārziniet drošības norādījumu uzlīmes.
- Lai varētu skaidri izlasīt zīmes un uzlīmes, zāles savākšanas sistēmai jābūt tīrai.
- Ņemiet vērā, ka operators ir atbildīgs par negadījumiem, kuros iesaistītas citas personas vai to īpašums.
- Izmantojiet zāles savākšanas sistēmu tikai dienā vai laba mākslīgā apgaismojumā. Turiet zāles savākšanas sistēmu drošā attālumā no bedrēm vai citiem virsmas nelīdzenumiem. Pārbaudiet, vai nav cita apdraudējuma iespējamība.
- Neļaujiet bērniem un tiem, kas nav apstiprināti lietot zāles savākšanas sistēmu, izmantot to vai veikt sistēmas apkopi. Vietējie tiesību akti var ierobežot pieļaujamo lietotāja vecumu.
- Pirms iedarbināt dzinēju, ieslēdzat piedziņu vai sākat pārvietot zāles savākšanas sistēmu, pārliecinieties, ka tuvumā neviena nav.
- Pļaujot ceļa tuvumā vai šķērsojot ceļu, pievērsiet uzmanību satiksmei.
- Neizmantojiet zāles savākšanas sistēmu, ja esat noguris, lietojis alkoholu vai medikamentus vai jebko citu, kas var negatīvi ietekmēt redzi, modrību, koordināciju vai spriestspēju.
- Vienmēr novietojiet zāles savākšanas sistēmu stāvēšanai uz līdzenas virsmas un izslēdziet dzinēju.

- Nepārveidojiet zāles savākšanas sistēmu un neuzstādiēt uz tās nestandarta aprīkojumu bez ražotāja piekrišanas. Pārveidotas zāles savākšanas sistēmas darbība var būt nedroša un radīt sistēmas bojājumus.

Norādījumi par bērnu drošību



BRĪDINĀJUMS: Izmantojot šo plaujmašīnu, bērni var gūt smagas vai nāvējošas traumas. Pirms sākat lietot plaujmašīnu, izlasiet zemāk minētos brīdinājumus. Neļaujiet bērniem tuvoties plaujmašīnai.

- Ja lietotājs neapzinās, ka tuvumā ir bērni, var rasties traģiski negadījumi. Bērni bieži vien pievērš uzmanību izstrādājumam un zāles plaušanai. Nekad neuzskatiet, ka bērni vienmēr paliks tur, kur jūs pēdējo reizi viņus redzējāt.
- Neļaujiet bērniem atrasties darba zonā un nodrošiniet atbilstošu uzraudzību, piesaistot vēl kādu pieaugušo, kas nav operators.
- Vērojiet apkārti un nekavējoties apturiet plaujmašīnu, ja bērni ienāk darba zonā. Esiet īpaši piesardzīgs, atrodoties netālu no stūriem, krūmiem, kokiem vai citiem objektiem, kas aizsedz skatu.
- Ievērojiet īpašu piesardzību, tuvojoties nepārredzamiem ēku stūriem, krūmiem, kokiem vai citiem objektiem, kas var traucēt savlaicīgi pamanīt bērnus.
- Pirms pārvietojat plaujmašīnu atpakaļgaitā un šīs darbības laikā, skatieties atpakaļ un uz leju, lai pārliecinātos, vai tuvumā nav mazu bērnu.
- Neļaujiet bērniem darbināt plaujmašīnu.
- Amerikas Pediatrijas akadēmija aicina ievērot 16 gadu ierobežojumu braucamu zāles plāvēju lietošanai.
- Nepārvadājiet bērnus pat, ja asmeņi ir izslēgti. Bērni var nokrist un gūt smagu traumu vai arī traucēt plaujmašīnas drošu darbību. Bērni, kuri ir vizināti iepriekš, var pēkšņi parādīties plaušanas zonā, vēloties vēlreiz pavizināties un tikt sabraukti.

Darba drošības norādījumi



BRĪDINĀJUMS: Pirms zāles savākšanas sistēmas lietošanas izlasiet zemāk minētos brīdinājumus.

- Nelietojiet zāles plāvēju, ja savācējs nav pilnībā uzstādīts.
- Nelietojiet zāles plāvēju kopā ar savākšanas sistēmu, ja nav uzstādīti priekšējie atsvari.
- Pirms savākšanas sistēmas uzstādīšanas pārliecinieties, ka visas kustīgās daļas ir pilnībā apstājušās.

- Pirms izņemat no savākšanas sistēmas iestrēgušo zāli, pārliecinieties, ka visas kustīgās daļas ir pilnībā apstājušās.
- Attīriet darba vietu no priekšmetiem, piemēram, akmeņiem, rotaļlietām, stieplēm u.c., kas var iekerties asmeņos un pēc tam tikt izsviesti.
- Zāles savākšanas sistēmu drīkst lietot tikai pieaugušie.
- Pirms plaušanas pārliecinieties, ka tuvumā nav ne cilvēku, ne dzīvnieku. Ja kāds tuvojas darba vietai, apturiet savākšanas sistēmas darbību.
- Pirms veikt pagriešanos, samaziniet ātrumu.
- Samaziniet ātrumu, pirms apbraukt stūrus.
- Izslēdziet asmeņus, kad zāles savākšanas sistēma neplauj.
- Pirms zāles savākšanas sistēmas lietošanas aizveriet savācēja pārsegu.
- Izslēdziet zāles plāvēja asmeņus, kad pārvietojat zāles savākšanas sistēmu vietā, kur izsviesti priekšmeti var radīt bīstamību.
- Nemēģiniet savākt priekšmetus, kurus var izsviest zāles savākšanas sistēma.
- Lietojot zāles savākšanas sistēmu, vienmēr izmantojiet acu aizsarglīdzekļus. Izsviesti priekšmeti var radīt acu bojājumus.
- Pēc katras lietošanas reizes un uzglabāšanas pārliecinieties, ka savākšanas maisi ir tukši. Savākšanas maisos atstātā zāle var izraisīt spontānu aizdegšanos un ugunsgrēku.
- Izpētes dati liecina, ka visbiežāk traumas gūst 60 gadu veci zāles plāvēju lietotāji un vecāki. Šāda vecuma lietotājiem jāizvērtē savas spējas droši vadīt zāles plāvēju, tādējādi aizsargājot sevi un citus no smagām traumām.

Drošības norādījumi pirms savākšanas sistēmas uzstādīšanas



BRĪDINĀJUMS: Pirms zāles savākšanas sistēmas lietošanas izlasiet zemāk minētos brīdinājumus.

- Novietojiet savākšanas sistēmu stāvēšanai uz līmeniskas virsmas.
- Iestatiet stāvbremzi.
- Pārbīdiēt vadības sviras neitrālā stāvoklī.
- Apturiet dzinēju un izņemiet aizdedzes atslēgu.
- Pirms savākšanas sistēmas uzstādīšanas pārliecinieties, ka visas kustīgās daļas ir pilnībā apstājušās.

Drošības norādījumi darbam uz slīpām virsmām



BRĪDINĀJUMS: Pirms sākat lietot plaujmašīnu, izlasiet zemāk minētos brīdinājumus.

Nogāzes ir lielākais negadījumu cēlonis. Strādājot uz nogāzes, nepieciešama īpaša uzmanība.

- Pa nogāzi brauciet plaujmašīnas ražotāja norādītajā virzienā. Strādājot tuvu stāvas nogāzes malai, esiet piesardzīgi.
- Nepļaujiet mitru zāli. Var mazināties riepu saķere.
- Nedarbiniet izstrādājumu tādos apstākļos, kur var būt ierobežota vilce, vadība vai stabilitāte. Riepas var slīdēt pat tad, ja riteņi nekustas.
- Vadot plaujmašīnu lejup pa nogāzi, iestatiet to kādā no pārnesumiem. Nebrauciet lejup pa kalnu.
- Izvairieties uzsākt kustību un apstāties uz nogāzes. Neveiciet straujas ātruma vai virziena izmaiņas. Veiciet pagriezienus lēni un pakāpeniski.
- Ja riepas zaudē saķeri, izslēdziet asmeņus un turpiniet lēni vadīt mašīnu uz leju pa nogāzi.
- Esiet īpaši piesardzīgi, vadot izstrādājumu, ja tam pievienots zāles savācējs vai cits aprīkojums. Tas var ietekmēt izstrādājuma stabilitāti.
- Pļaušana uz nogāzēm palielina risku, ka varat zaudēt vadību un plaujmašīna var apgāzties. Tas var radīt smagas vai nāvējošas traumas. Nogāzēs pļaujiet uzmanīgi. Ja nevarat braukt atpakaļgaitā uz nogāzes vai nejutaties jūtaties nedrošs, nepļaujiet.
- Novāciet akmeņus, zarus un citus priekšmetus.
- Pļaujiet zāli augšup pa nogāzi un lejup no tās. Nepļaujiet šķērsām pa nogāzi.
- Nedarbiniet plaujmašīnu uz virsmas, kuras slīpums pārsniedz 10°.
- Uz nogāzēm pārvietojieties vienmērīgi un lēnām.
- Uzmanīgi skatieties un, pamanot vaļus, bedres un izciļņus, nebrauciet tiem pāri. Uz nelīdzenas virsmas pastāv lielāks apgāšanās risks. Garā zālē var atrasties dažādi šķēršļi.
- Nepļaujiet blakus malām, grāvjiem vai krastiem. Ieturiet vismaz plaujmašīnas platuma attālumu no šiem bīstamajiem objektiem. Pļaujmašīna var pēkšņi apgāzties, ja kāds no riteņiem pārbrauc pāri stāvas nogāzes vai grāvja malai.

Drošības norādījumi par tehnisko apkopi



BRĪDINĀJUMS: Pirms zāles savākšanas sistēmas lietošanas izlasiet zemāk minētos brīdinājumus.



BRĪDINĀJUMS: Zāles savākšanas sistēma ir smaga un var radīt traumas vai īpašuma/apkārtējās vides bojājumus. Dzinēja vai pļaušanas bloka apkopi drīkst veikt tikai ar šādiem nosacījumiem:

- dzinējs ir izslēgts;

- zāles savākšanas sistēma novietota stāvēšanai uz līmeniskas virsmas;
- ir ieslēgta stāvbremze;
- aizdedzes atslēga ir apturēšanas stāvoklī un izņemta;
- asmeņi ir izslēgti;
- visas kustīgās daļas ir pilnībā apstājušās;
- aizdedzes vadi ir atvienoti no aizdedzes svečēm;



BRĪDINĀJUMS: Šķidrums, kas izkūst zem spiediena, var iespieties ādā un radīt smagu traumu. Ja šķidrums iespiežas ādā, nekavējoties vērsieties pēc medicīniskās palīdzības. Netuviniet ķermeni vai rokas tapu atverēm vai sprauslām, pa kurām izkūst šķidrums zem augsta spiediena. Ja notiek noplūde, nekavējoties nogādājiet zāles savākšanas sistēmu apkopei pie kvalificēta tehniķa.



BRĪDINĀJUMS: Dzinēja izplūdes gāzes satur oglekļa monoksīdu, kas ir indīga un ļoti bīstama gāze bez aromāta. Nedarbiniet zāles savākšanas sistēmu slēgtās telpās vai vietās ar nepietiekamu gaisa plūsmu.

- Uzturiet zāles savākšanas sistēmu labā darba kārtībā. Nomainiet nodilušās vai bojātās daļas.

Apkopjot asmeņus, esiet piesardzīgi. Ietiniet asmeņi(-ņus) vai uzvelciet cimdus. Nomainiet bojātos asmeņus. Neremontējiet asmeņus un nepārveidojiet tos.

Pirms remonta atvienojiet aizdedzes sveces vadus (ja tādi ir) un akumulatora negatīvo kabeli.

Labākas veiktspējas un drošības nolūkā regulāri veiciet zāles savākšanas sistēmas tehnisko apkopi, kā norādīts apkopes grafikā. Skatiet šeit: *Apkopes grafiks lpp. 146.*

- Elektriskās strāvas trieciens var radīt traumas. Nepieskarieties kabeliem, ja dzinējs darbojas. Nepārbaudiet aizdedzes sistēmas darbību ar pirkstiem.
- Pirms veicat tehnisko apkopi dzinēja tuvumā, ļaujiet zāles savākšanas sistēmai atdzist.
- Asmeņi ir ļoti asi, un ar tiem var sagriezties. Rīkojoties ar asmeņiem, ietiniet tos aizsargmateriālā vai uzvelciet aizsargcimdus.
- Nedarbiniet dzinēju, ja ir izņemta aizdedzes svece vai noņemts aizdedzes kabelis.
- Pārliedcinieties, ka visi uzgriežņi un skrūves ir pareizi pievilkta un aprīkojums ir labā stāvoklī.
- Nemainiet regulatoru iestatījumus. Ja dzinējs darbojas ar pārāk lielu apgrieziena skaitu, zāles savākšanas sistēmas komponenti var tikt bojāti.

- Zāles savākšanas sistēma ir apstiprināta lietošanai tikai kopā ar tādu aprīkojumu, ko piegādā vai iesaka zāles savākšanas sistēmas ražotājs.

- Remontam izmantojiet tikai oriģinālās daļas. Ja izmantosiet citas detaļas, garantija vairs nebūs spēkā.

Uzstādīšana

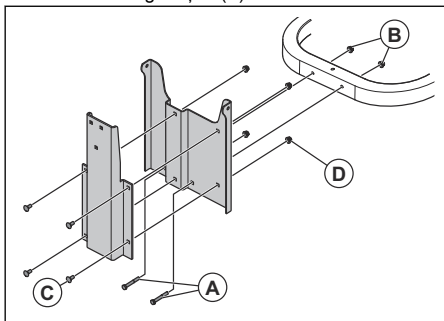
Ievads



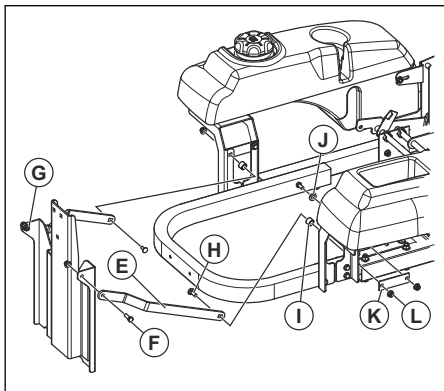
BRĪDINĀJUMS: Pirms izstrādājuma uzstādīšanas izlasiet un izprotiet drošības norādījumus.

Savācēja kronšteina uzstādīšana

1. Uzstādiēt balsta kronšteinu uz rāmja, izmantojot divas 5/16-18×2-1/4 sešstūra skrūves (A) un divas 5/16 uzgriežņus (B).



2. Uzstādiēt piekares kronšteinu uz balsta kronšteina, izmantojot četras 5/16-18×3/4 pamatnes skrūves (C) un četrus 5/16 uzgriežņus (D).
3. Uzstādiēt balsta siksnas uz balsta kronšteina.

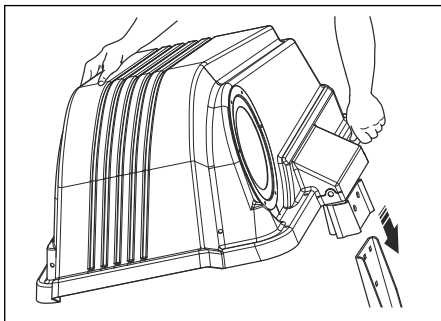


4. Uzstādiēt siksnas (E) uz balsta kronšteina, lietojot divas 5/16-18×1-1/4 pamatnes skrūves (F) un divus 5/16 uzgriežņus (G).

5. Uzstādiēt siksnas uz tvertnes kronšteinu, izmantojot četras 5/16-18×1 sešstūra skrūves (H), divas starplikas (I), divas paplāksnes (J), divas stiprinājuma plāksnes (K) un četrus 5/16 uzgriežņus (L).

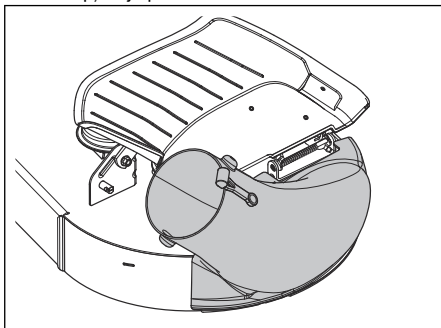
Savācēja pārsega uzstādīšana

1. Uzstādiēt savācēja kronšteinu. Skatiet šeit: *Savācēja kronšteina uzstādīšana lpp. 144.*
2. Novietojiet savācēja pārsegu uz savācēja kronšteina.



Sānu izmetes teknes uzstādīšana

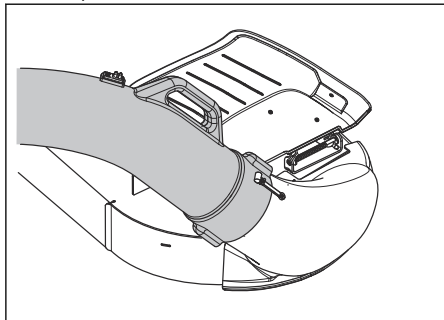
1. Paceliet sānu izmetes pārsegu.
2. Aplieciet sānu izmetes pārsegu ap pārsega kronšteinu.
3. Piestipriniet sānu izmešanas teknes fiksatorus zāles plāvēja platformai.



Savācēja teknes uzstādīšana

1. Novietojiet savācēja tekni uz sānu izmetes teknes.

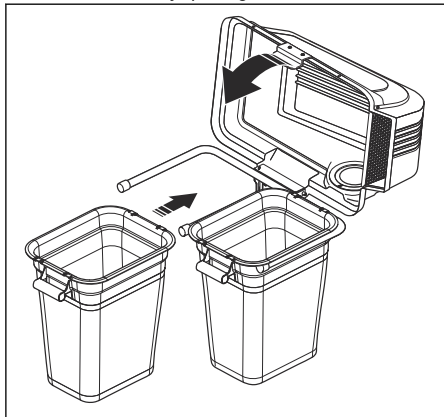
2. Piestipriniet siksnu.



3. Ievietojiet savācēja tekni savācēja pārsega atvērumā.

Maisu uzstādīšana

1. Sasveriet savācēja pārsegu.
2. Novietojiet abus maisus uz balsta rāmja.
3. Aizveriet savācēja pārsegu.

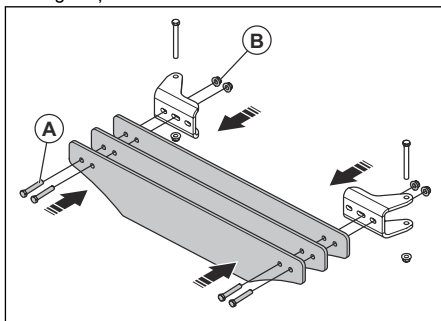


Priekšējā atsvara uzstādīšana

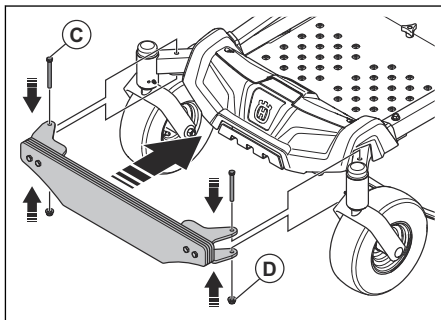


BRĪDINĀJUMS: Neizmantojiet savākšanas sistēmu bez priekšējiem atsvariem.

1. Uzstādiet priekšējā atsvara plāksnes uz kronšteiniem, izmantojot četras 3/8-16×2-1/4 sešstūra skrūves (A) un četrus 3/8 uzgriežņus (B). Pilnībā nepievelciet uzgriežņus.



2. Salāgojiet kronšteinos esošās atveres ar atverēm rāmī.



3. Ievietojiet 3/8-16×3-1/2 skrūves (C) un uzlieciet 3/8 uzgriežņus (D).
4. Pievelciet visus uzgriežņus.

Lietošana

Ievads



BRĪDINĀJUMS: Pirms sākat darbu ar produktu, izlasiet nodaļu par drošību un pārliecinieties, vai saprotat to.

Zāles savākšanas sistēmas lietošana

- Ievērojiet zāles plāvēja lietotāja rokasgrāmatā iekļautos lietošanas norādījumus.
- Izmantojot savākšanas sistēmu, darbiniet dzinēju maksimālā ātrumā.
- Vadiet zāles savākšanas sistēmu uz priekšu nelielā ātrumā, lai panāktu labu pļaušanas un zāles savākšanas rezultātu.

- Ja zāle ir gara un bieza, pļaujiet divreiz. Pirmā pļaušana jāveic ar lielāko pļaušanas augstuma iestatījumu, bet otrā — ar tādu, kā paredzēts.
- Pļaušanai tuvu šķēršļiem izmantojiet zāles pļāvēja kreiso pusi.
- Neplaujiet mitru zāli. Mitra zāle, iespējams, iestrēgs savākšanas sistēmā.
- Iztukšojiet savākšanas maisus, ja savākšanas sistēma nesavāc nopļauto zāli. Pārļiecinieties, ka savācēja tekne nav aizsērējusi, ja kļūmi neizdodas novērst, kad savākšanas maiši ir tukši.
- Apturiet zāles pļāvēju un pārļiecinieties, ka savākšanas sistēma nav bojāta, kad sistēma atduras pret nenostiprinātu priekšmetu.
- Nepieļaujiet savācēja teknes savīšanos.
- Nevelciet savācēja tekni gar ēku malām un citām cietām virsmām.

Apkope

Ievads



BRĪDINĀJUMS: Pirms veicat apkopes darbības, izlasiet nodaļu par drošību un pārļiecinieties, vai saprotat to.

X = norādījumi ir sniegti šajā lietotāja rokasgrāmatā.

O = lai saņemtu norādījumus, skatiet dzinēja rokasgrāmatu.

Tehniskās apkopes grafiks operatoram

Apkopes grafiks

* = Šajā lietotāja rokasgrāmatā instrukcijas nav sniegtas.

| Tehniskā apkope | Ikdienas tehniskā apkope | Tehniskās apkopes intervāls stundās | | |
|---|--------------------------|-------------------------------------|----|----|
| | Pirms lietošanas | 5 | 25 | 50 |
| Pārbaudiet un iztīriet savākšanas maisus. | X | X | | |
| Pārbaudiet, vai uzgriežņi un skrūves ir pievilktas. | X | | | |
| Pārļiecinieties, ka savākšanas tekne ir nostiprināta. | X | | | |
| Noīriet zāles savākšanas sistēmu. | | | | X |

Produkta tīrīšana

- Izmantojiet birstīti, lai noīrītu nevēlamu materiālu un zāli no produkta.

- Ja nepieciešams, izmantojiet augstspiediena mazgātāju un vājas koncentrācijas mazgāšanas līdzekli. Nepārsniedziet 1000 psi (68,9 bāru) ūdens spiedienu.

Problēmu novēršana

Problēmu novēršanas grafiks

Ja nevarat atrast problēmas risinājumu šajā lietošanas rokasgrāmatā, sazinieties ar Husqvarna apkopes dienesta pārstāvi.

| Kļūme | Cēlonis |
|--------------------|---|
| Nav gaisa plūsmas. | Aizsērējusi savācēja tekne vai savācēja pārsega ievads. |
| | Tvertne ir pilna. |
| | Aizsērējis audums savācējā. |

| Kļūme | Cēlonis |
|------------------------------------|--|
| Neparasta vibrācija vai troksnis. | Savācējā ir kāds priekšmets. |
| | Valīgas vai trūkstošas skrūves vai uzgriežņi. |
| Savācēja pārsegu ir grūti aizvērt. | Priekšmeti savācējā nosprosto to. |
| | Savācēja pārsega eņģes skrūves ir pārāk stingri pievilkta. |

Pārvadāšana, glabāšana un utilizēšana

Transportēšana

- Nevelciet zāles savākšanas sistēmu.
- Zāles savākšanas sistēma ir smaga un var radīt smagas traumas saspiežot. Rīkojieties uzmanīgi, ieceļot sistēmu transportlīdzeklī vai piekabē, kā arī izceļot.
- Ievietojiet zāles savākšanas sistēmu atmuguriski uz apstiprinātām rampām ar maksimālo darbības leņķi 10°. Neceliet zāles savākšanas sistēmu.
- Sistēmas transportēšanai izmantojiet apstiprinātu piekabi.
- Pirms zāles savākšanas sistēmas transportēšanas piekabē vai pa ceļu pārļiecinieties, ka pārzināt vietējos ceļu satiksmes noteikumus.
- Nostipriniet zāles savākšanas sistēmu ar apstiprinātiem līdzekļiem, piemēram, siksnām. Izmantojiet stiprinājuma vietas zāles savākšanas sistēmā vai rāmī. Ar stāvbremzi vien nepietiek, lai nostiprinātu zāles savākšanas sistēmu transportēšanas laikā.

Glabāšana

Sezonas beigās un pirms vairāk nekā 30 dienu ilgas glabāšanas sagatavojiet izstrādājumu glabāšanai. Ja 30 dienas vai ilgāk degvielas tvertnē ir degviela, lipīgās daļiņas var bloķēt karburatoru. Tam ir negatīva ietekme uz dzinēja darbību.

Lai glabāšanas laikā novērstu lipīgās daļiņas, pievienojiet stabilizatoru. Alkilātu benzīna izmantošanas gadījumā stabilizators nav nepieciešams. Ja izmantojat standarta benzīnu, nelietojiet alkilātu benzīnu. Pretējā gadījumā jutīgas gumijas detaļas var kļūt cietas. Pievienojiet stabilizatoru degvielas tvertnē ar piepildītu benzīnu vai arī degvielas glabāšanas tvertnē. Vienmēr izmantojiet maisījuma proporcijas, ko norādījis ražotājs. Uzstādiet stabilizatoru un darbiniet dzinēju vismaz 10 minūtes, līdz degviela ieplūst karburatorā.



BRĪDINĀJUMS: Neglabājiet izstrādājumu ar tvertnē iepildītu degvielu iekštelpās vai slikti vēdināmās telpās. Ja degvielas tvaiki nonāk saskarē ar atklātām liesmām, dzirkstelēm vai signāllampinām uz ierīcēm, piemēram,

uz boileru, karstā ūdens tvertnes vai drēbju žāvējamā aparāta, pastāv aizdegšanās risks.



BRĪDINĀJUMS: Lai samazinātu aizdegšanās risku, noīriet no izstrādājuma zāli, lapas un citus uzliesmojošus materiālus. Pirms novietojat izstrādājumu glabāšanai, ļaujiet tam atdzist.

- Noīriet izstrādājumu; skatiet šeit: *Produkta tīrīšana lpp. 146.*
- Noņemiet nevēlamos materiālus no dzesēšanas ventilatora.
- Novērsiet krāsojuma bojājumus, lai nepieļautu koroziju.
- Pārbaudiet, vai izstrādājumam nav nodilušu vai bojātu detaļu, un atskrūvējiet skrūves un uzgriežņus.
- Izņemiet akumulatoru. Noīriet to, uzlādējiet un glabāšanas laikā turiet vēsumā.
- Nomainiet dzinēja eļļu un likvidējiet veco eļļu.
- Iztukšojiet degvielas tvertni. Iedarbiniet dzinēju un darbiniet to, līdz karburatorā vairs nav degvielas.

Piezīme: Neiztukšojiet degvielas tvertni un karburatoru, ja pievienots stabilizators.

- Izņemiet sveces un ielejiet aptuveni vienu ēdamkaroti dzinēja eļļas katrā cilindrā. Manuāli pagrieziet dzinēja vārpstu, lai labāk ieeļļotu cilindrus, un ievietojiet atpakaļ aizdedzes sveces.
- Ieeļļojiet visus nipeļus, savienojumus un asis.
- Glabājiet izstrādājumu tīrā, sausā vietā un papildu aizsardzībai uzlieciet kādu pārsegu.

Inhoud

| | | | |
|------------------|-----|------------------------------------|-----|
| Inleiding..... | 148 | Onderhoud..... | 154 |
| Veiligheid..... | 149 | Probleemoplossing..... | 155 |
| Installatie..... | 152 | Vervoer, opslag en verwerking..... | 155 |
| Werking..... | 154 | | |

Inleiding

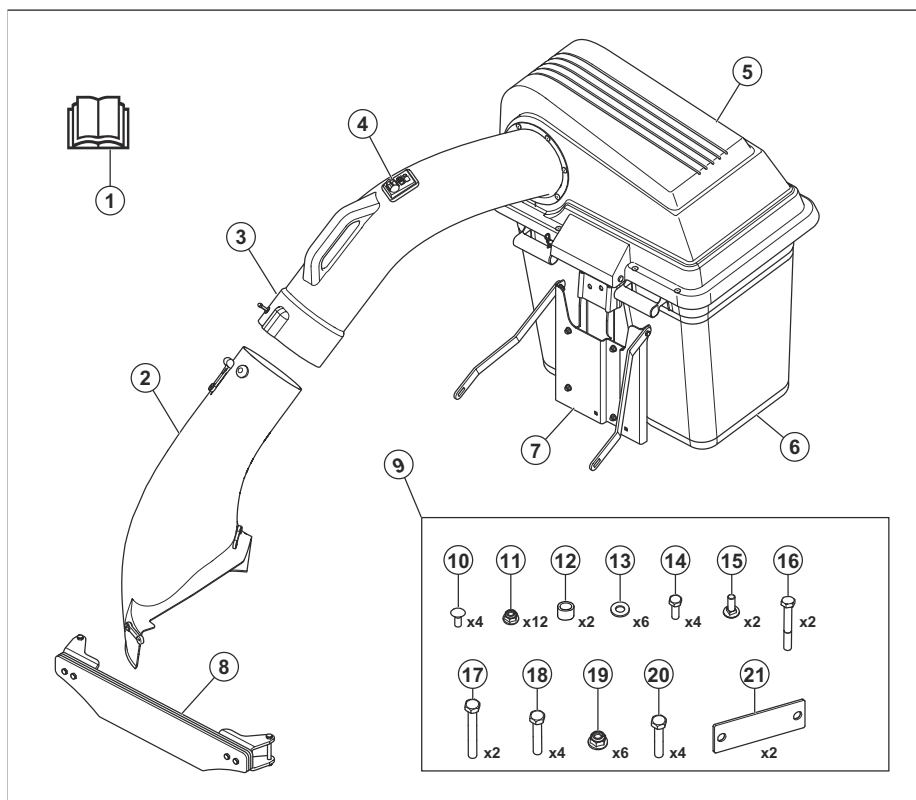
Productbeschrijving

Dit product is een grasopvangsysteem. Het opgevangen gras kan worden gebruikt als compost voor het gazon of plantenbedden, of worden afgevoerd als afval.

Beoogd gebruik

Dit product is gemaakt voor het opvangen van gras tijdens het maaien, om te zorgen dat uw gazon er piekfijn uitziet. Gebruik het product niet voor andere taken.

Productoverzicht



1. Bedieningshandleiding
2. Kanaal voor zijuitworp
3. Opvangkanaal
4. Indicator zak vol
5. Kap
6. Zak

7. Steun van opvangbak
8. Frontgewicht
9. Hardware-tas
10. Slotbout, 5/16-18x3/4
11. Moer, 5/16
12. Afstandsstuk

- 13. Sluistring
- 14. Zeskantbout, 5/16-18x1
- 15. Slotbout , 5/16-18x1-1/4
- 16. Zeskantbout, 5/16-18x2-1/4
- 17. Zeskantbout, 3/8-16x3-1/2
- 18. Zeskantbout, 3/8-16x2-1/2
- 19. Moer, 3/8
- 20. Zeskantbout, 3/8-16x2-1/4
- 21. Verstevigingsplaat

- het product niet goed is gerepareerd.
- het product is gerepareerd met onderdelen die niet van de fabrikant afkomstig zijn, of onderdelen die niet zijn goedgekeurd door de fabrikant.
- het product een accessoire bevat dat niet afkomstig is van de fabrikant of niet is goedgekeurd door de fabrikant.
- het product niet is gerepareerd door een erkend servicepunt of door een erkende autoriteit.

Schade aan het product

We zijn niet verantwoordelijk voor schade aan ons product als:

Veiligheid

Veiligheidsdefinities

Waarschuwingen, voorzorgsmaatregelen en opmerkingen worden gebruikt om te wijzen op belangrijke delen van de handleiding.



WAARSCHUWING: Wordt gebruikt om te wijzen op de kans op ernstig of fataal letsel voor de gebruiker of omstanders wanneer de instructies in de handleiding niet worden gevolgd.



OPGELET: Wordt gebruikt indien er een risico bestaat op schade aan het product en andere eigendommen of aan de omgeving wanneer de instructies in de handleiding niet worden gevolgd.

Let op: Geven verdere informatie die nodig is in een bepaalde situatie.

Algemene veiligheidsinstructies



WAARSCHUWING: Lees de volgende waarschuwingen voordat u het product gaat gebruiken



WAARSCHUWING: Dit product kan handen en voeten amputeren en voorwerpen wegslingeren. Het niet naleven van de volgende veiligheidsinstructies kan leiden tot ernstige ongelukken of de dood.



WAARSCHUWING: Wees altijd voorzichtig bij het gebruik van de machine; wanneer u dat niet doet, kunnen de gebruiker of andere personen ernstig letsel oplopen. De eigenaar moet deze instructies begrijpen en ervoor zorgen dat de maaier alleen bediend

wordt door bevoegde personen die deze instructies begrijpen. Elke persoon die de maaier bedient, moet gezond van lichaam en geest zijn en mag niet onder de invloed van verdovende middelen zijn.

- Lees, begrijp en volg de instructies en waarschuwingen in dit document, de bedieningshandleiding en op het product, motor en accessoires.
- Het product mag alleen worden gebruikt door verantwoordelijke en getrainde personen, die fysiek in staat zijn om het product te gebruiken en die vertrouwd zijn met de instructies.
- Zorg dat u een persoon informeert dat u het product gaat gebruiken, om te voorkomen dat er letsel of een ongeval plaatsvindt.
- Vervoer geen passagiers en houd omstanders uit de buurt.
- Bedien het product niet wanneer u onder invloed van alcohol of drugs bent.
- Volg de aanbeveling van de fabrikant voor wielgewichten of contragewichten.
- Zorg dat u weet hoe u het product en de bedieningselementen veilig gebruikt en hoe u het product snel kunt stoppen.
- Zorg ook dat u weet wat de veiligheids pictogrammen betekenen.
- Houd het product schoon zodat plaatjes en stickers leesbaar blijven.
- Denk erom dat de bediener of gebruiker verantwoordelijk is voor ongelukken of beschadigingen aan eigendommen.
- Gebruik het product alleen bij daglicht of onder goed verlichte omstandigheden. Houd het product op een veilige afstand van gaten en andere onregelmatigheden in de grond. Kijk uit voor andere mogelijke risico's.
- Laat kinderen of andere personen die niet geschikt zijn om het product te gebruiken, geen werkzaamheden met of aan het product

verrichten. De minimumleeftijd van de gebruiker kan zijn vastgelegd in plaatselijke voorschriften.

- Zorg dat er zich niemand in de buurt van het product bevindt wanneer u de motor start, de aandrijving inschakelt of met het product gaat rijden.
- Houd een oogje op het verkeer als u maait nabij een weg of wanneer u een weg oversteekt.
- Gebruik het product nooit wanneer u vermoeid bent, alcohol of drugs hebt gebruikt, of als u medicijnen gebruikt die uw gezichtsvermogen, beoordelingsvermogen of coördinatie kunnen beïnvloeden.
- Parkeer het product altijd op een vlakke ondergrond met de motor uitgeschakeld.
- Wijzig de machine niet en installeer geen niet-standaard apparatuur op de machine zonder toestemming van de fabrikant. Wijzigingen aan de machine kunnen het gebruik ervan onveilig maken of de machine beschadigen.

Veiligheidsinstructies met betrekking tot kinderen



WAARSCHUWING: Kinderen kunnen ernstig of dodelijk letsel oplopen door dit product. Lees de volgende waarschuwingen voordat u het product gaat gebruiken. Houd kinderen uit de buurt.

- Er kunnen ernstige ongelukken gebeuren als de gebruiker de aanwezigheid van kinderen niet opmerkt. Kinderen vinden dit product en maaien vaak interessant. Ga er nooit van uit dat kinderen op de plek blijven waar u ze voor het laatst hebt gezien.
- Houd kinderen uit het maaigebied en onder toezicht van een verantwoordelijke volwassene (niet de gebruiker zelf).
- Let goed op en schakel het product onmiddellijk uit als er kinderen in het werkgebied komen. Wees vooral voorzichtig bij bochten, bosjes, bomen of andere objecten die uw zicht kunnen belemmeren.
- Wees extra voorzichtig als u in de buurt komt een blinde hoek, struiken, bomen of andere voorwerpen die het zicht op kinderen kunnen belemmeren.
- Kijk achteren en kijk naar beneden of u geen kleine kinderen ziet voordat en terwijl u het product achteruit beweegt.
- Laat het product niet door kinderen bedienen.
- The American Academy of Pediatrics adviseert een minimumleeftijd van 16 jaar voor het bedienen van zitmaaiers.
- Vervoer nooit kinderen op de machine, ook niet als de messen uitgeschakeld zijn. Ze kunnen eraf vallen en ernstig gewond raken of de veilige werking van het product verstoren. Kinderen die in het verleden op het product hebben

meegereden kunnen plotseling in het maaigebied opduiken omdat ze nog een keer willen meerijden en onder het product terechtkomen tijdens het (achteruit-)rijden.

Veiligheidsinstructies voor bediening



WAARSCHUWING: Lees de volgende waarschuwingen voordat u het product gaat gebruiken.

- Gebruik de maaier alleen als de opvangbak volledig naar behoren is aangebracht.
- Gebruik de maaier alleen met het opvangsysteem als de frontgewichten zijn aangebracht.
- Controleer of alle bewegende onderdelen tot stilstand zijn gekomen voordat u het opvangsysteem opent.
- Controleer of alle bewegende onderdelen tot stilstand zijn gekomen voordat u een verstopping uit het opvangsysteem verwijdert.
- Verwijder stenen, speelgoed, draden, enz. uit het werkgebied, omdat deze anders door de messen kunnen worden weggeslingerd.
- Het product mag alleen worden gebruikt door verantwoordelijke volwassen personen.
- Zorg ervoor dat er zich geen mensen en huisdieren in het gebied bevinden voordat u begint met maaien. Schakel het product uit als iemand het werkgebied betreedt.
- Verlaag de snelheid voordat u draait.
- Verlaag de rijsnelheid voordat u een bocht neemt.
- Schakel de bladen uit wanneer het product niet maait.
- Sluit de klep van de opvangbak voordat u het product start.
- Schakel de maaibladen uit wanneer u het product verplaatst over gebieden waar weggeslingerde objecten gevaarlijk kunnen zijn.
- Probeer geen voorwerpen op te vangen die uit het opvangsysteem kunnen worden geslingerd.
- Draag oogbescherming wanneer u het product gebruikt. Weggeslingerde objecten kunnen schade aan ogen veroorzaken.
- Controleer na elk gebruik en voorafgaand aan opslag of de opvangzakken leeg zijn. Als er gras achterblijft in de opvangzakken, kan dit leiden tot zelfontbranding en brand.
- Uit onderzoek blijkt dat gebruikers van 60 jaar en ouder vaak zijn betrokken bij ongevallen met zitmaaiers. Deze gebruikers moeten beoordelen of ze de zitmaaiër veilig genoeg kunnen bedienen om zichzelf en anderen tegen letsel te beschermen.

Veiligheidsinstructies voordat u het opvangsysteem installeert



WAARSCHUWING: Lees de volgende waarschuwingen voordat u het product gaat gebruiken.

- Parkeer het product op een vlakke ondergrond.
- Stel de parkeerrem in.
- Zet de besturingshendels in de neutrale stand.
- Zet de motor uit en verwijder de contactsleutel.
- Controleer of alle bewegende onderdelen tot stilstand zijn gekomen voordat u het opvangsysteem installeert.

Veiligheidsinstructies voor gebruik op hellingen



WAARSCHUWING: Lees de volgende waarschuwingen voordat u het product gaat gebruiken.

Hellingen zijn een belangrijke factor in verband met ongevallen. Wees extra voorzichtig als u op een helling rijdt.

- Rijd op hellingen in de door de fabrikant aanbevolen richting. Wees voorzichtig bij het werken in de buurt van steile hellingen.
- Maai het gras niet als het nat is. De banden kunnen hun grip verliezen.
- Gebruik het product niet onder omstandigheden waarbij tractie, besturing of stabiliteit onzeker is. De banden kunnen ook gaan schuiven als de wielen tot stilstand zijn gekomen.
- Zet het product altijd in een versnelling als u een helling af rijdt. Laat de machine niet bergafwaarts rijden.
- Vermijd starten of stoppen op hellingen. Vermijd abrupte veranderingen in snelheid en richting. Neem bochten langzaam en geleidelijk.
- Als de banden hun grip verliezen, schakelt u de messen uit en rijdt u langzaam verder de helling af.
- Wees extra voorzichtig bij gebruik van het product met een grasopvangbak of andere accessoires. Deze kunnen de stabiliteit van het product beïnvloeden.
- Maaien op een helling verhoogt het risico dat u de controle over het product verliest en dat het product kantelt. Dit kan ernstig of dodelijk letsel veroorzaken. Bij maaien op een helling is het van groot belang voorzichtig te werk te gaan. Als u niet achteruit tegen een helling op kunt rijden of als u zich daar niet prettig bij voelt, maai de helling dan niet.
- Verwijder stenen, takken en andere obstakels.
- Maai verticaal tegen de helling omhoog en omlaag, niet van links naar rechts.

- Gebruik het product niet op een helling van meer dan 10°.
- Rijd op hellingen gelijkmatig en langzaam.
- Kijk uit voor en rijd niet over voren, kuilen en hobbels. Er bestaat een grotere kans dat het product kantelt op een ondergrond die niet vlak is. Obstakels kunnen moeilijk te zien zijn door hoog gras.
- Maai niet in de buurt van randen, greppels of hellingen. Houd ten minste de breedte van de machine uit de buurt van deze gevaren. Het product kan plotseling kantelen als een van de wielen over de randen van een steile helling of greppel komt, of als een berm inzakt.

Veiligheidsinstructies voor onderhoud



WAARSCHUWING: Lees de volgende waarschuwingen voordat u het product gaat gebruiken.



WAARSCHUWING: Het product is zwaar en kan letsel of schade aan eigendommen of de omgeving veroorzaken. Voer geen onderhoud uit aan de motor of het maaidek zonder aan deze voorwaarden te voldoen:

- De motor is uitgeschakeld.
- Het product is op een vlakke ondergrond geparkeerd.
- De parkeerrem is ingeschakeld.
- De contactsleutel staat in de stopstand en is verwijderd.
- De messen zijn uitgeschakeld.
- Alle bewegende delen zijn gestopt.
- De ontstekingskabels zijn van de bougies losgenomen.



WAARSCHUWING: Vloeistof die onder druk ontsnapt, kan voldoende kracht hebben om de huid binnen te dringen en ernstig letsel te veroorzaken. Als er vloeistof in de huid is binnengedrongen, dient u onmiddellijk medische hulp in te roepen. Houd lichaam en handen uit de buurt van pengaten of spuitmonden die vloeistof onder hoge druk uitstoten. Als er een lek optreedt, moet u het product onmiddellijk laten nakijken door een getrainde monteur.



WAARSCHUWING: Uitlaatgassen van de motor bevatten koolmonoxide, een geurloos, giftig en uiterst gevaarlijk gas. Gebruik het

product niet in gesloten ruimten of ruimten met onvoldoende luchtstroming.

- Houd het product in goede staat. Vervang versleten of beschadigde onderdelen.

Wees voorzichtig bij het uitvoeren van onderhoud aan de messen. Dek messen af of draag handschoenen. Vervang beschadigde messen. Repareer of wijzig messen niet.

Koppel, indien aanwezig, de bougiekabel(s) en de negatieve accukabel los voordat u reparaties uitvoert.

Voor optimale prestaties en veiligheid adviseren we u het product te onderhouden volgens het onderhoudsschema. Zie *Onderhoudsschema op pagina 154*.

- Elektrische schokken kunnen letsel veroorzaken. Raak geen kabels aan als de motor draait. Voer een functietest van het ontstekingsstelsel niet met uw vingers uit.

- Laat het product afkoelen voordat u onderhoudswerkzaamheden in de buurt van de motor uitvoert.
- De messen zijn erg scherp en kunnen snijwonden veroorzaken. Voorzie de messen van bescherming of draag beschermende handschoenen wanneer u aan de messen werkt.
- Torn de motor niet als de bougie of de bougiekabel is verwijderd.
- Zorg dat alle moeren en bouten goed zijn vastgedraaid en dat de apparatuur in goede staat is.
- Wijzig de instelling van de regelaars niet. Als het motortoerental te hoog is, kunnen de productonderdelen beschadigd raken.
- Het product is alleen goedgekeurd voor gebruik in combinatie met de uitrusting die wordt geleverd of wordt aanbevolen door de fabrikant.
- Gebruik bij reparaties uitsluitend originele onderdelen. Bij het gebruik van andere onderdelen vervalt de garantie.

Installatie

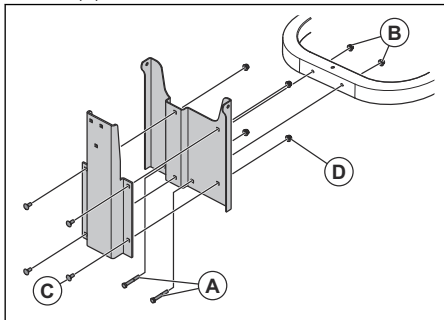
Inleiding



WAARSCHUWING: Zorg dat u het hoofdstuk over veiligheid hebt gelezen en begrepen voordat u het product monteert.

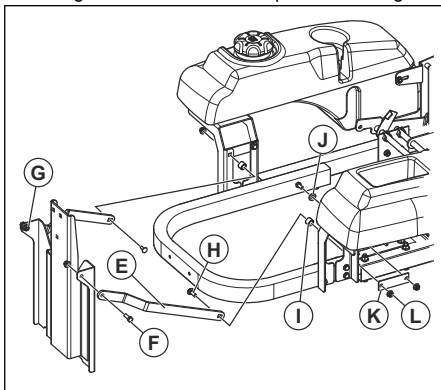
De steun van de opvangbak aanbrengen

1. Monteer de steunbeugel op het frame met 2 zeskantbouten 5/16-18x2-1/4 (A) en 2 moeren 5/16 (B).



2. Monteer de ophangbeugel op de steunbeugel met 4 slotbouten 5/16-18x3/4 (C) en 4 moeren 5/16 (D).

3. Breng de steunbanden aan op de steunbeugel.

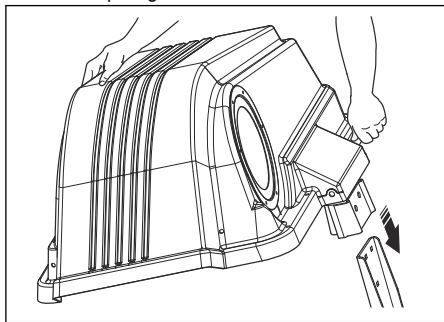


4. Breng de banden (E) aan op de steunbeugel met 2 slotbouten 5/16-18x1-1/4 (F) en 2 moeren 5/16 (G).
5. Monteer de banden op de tanksteunen met 4 zeskantbouten 5/16-18x1 (H), 2 afstandstukken (I), 2 sluitringen (J), 2 verstevigingsplaten (K) en 4 moeren 5/16 (L).

De kap van de opvangbak aanbrengen

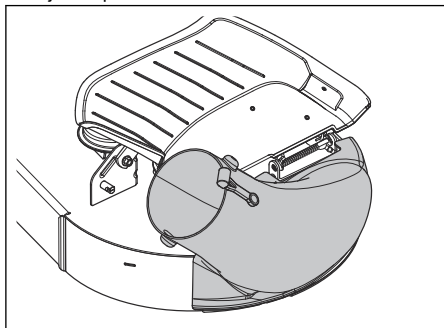
1. Breng de steun van de opvangbak aan. Zie *De steun van de opvangbak aanbrengen op pagina 152*.

2. Plaats de kap van de opvangbak op de steun van de opvangbak.



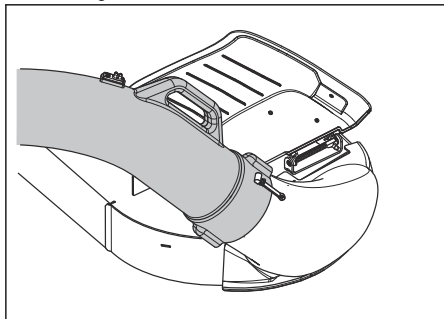
Het kanaal voor zijuitworp aanbrengen

1. Til het deksel van de zijuitworp op.
2. Plaats het kanaal voor zijuitworp rond de steun van het deksel.
3. Bevestig de vergrendelingen van het kanaal voor zijuitworp aan het maaidek.



Het uitworpkanaal aanbrengen

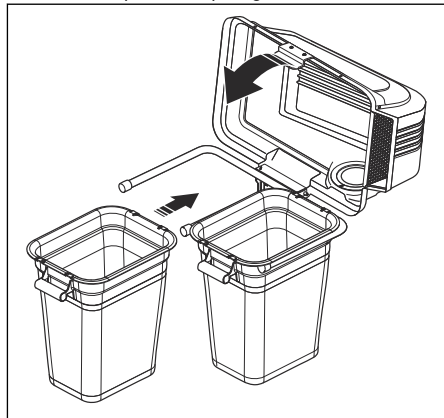
1. Plaats het opvangkanaal op het kanaal voor zijuitworp.
2. Bevestig de band.



3. Plaats het opvangkanaal in de opening in de kap van de opvangbak.

Zakken aanbrengen

1. Kantel de kap van de opvangbak.
2. Plaats de 2 zakken op het steunraam.
3. Sluit de kap van de opvangbak.

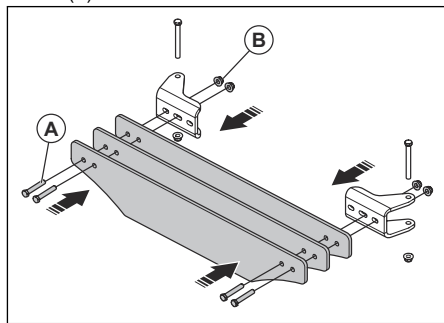


Het frontgewicht installeren

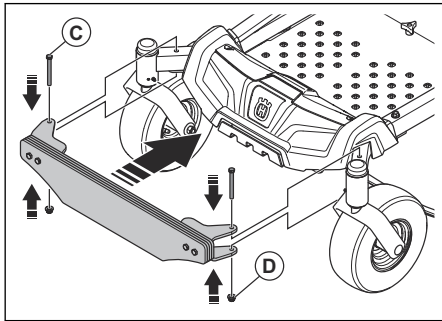


WAARSCHUWING: Gebruik het opvangsysteem niet zonder frontgewichten.

1. Monteer de frontgewichten op de steunen met 4 zeskantbouten 3/8-16x2-1/4 (A) en 4 moeren 3/8 (B). Draai de moeren niet helemaal vast.



- Lijn de openingen in de steunen uit met de openingen in het frame.



- Breng de bouten 3/8-16x3-1/2 (C) en de moeren 3/8 (D) aan.
- Draai alle moeren vast.

Werking

Inleiding



WAARSCHUWING: Voordat u het product gaat gebruiken, dient u het hoofdstuk over veiligheid te lezen en hebben begrepen.

Het product gebruiken

- Volg de gebruiksaanwijzing in de bedieningshandleiding voor de maaier.
 - Laat de motor met het maximale toerental draaien wanneer u het opvangsysteem gebruikt.
 - Beweeg het product langzaam vooruit voor een goed maai- en opvangresultaat.
 - Maaï het gras 2 keer als het hoog en dik is. Het eerste maaien moet op de hoogste maaihoogte zijn en de tweede keer op de juiste hoogte.
- Gebruik de linkerkant van de maaier om te maaien in de buurt van obstakels.
 - Maaï geen nat gras. Nat gras leidt eerder tot verstopping van het opvangsysteem.
 - Leeg de opvangzakken als het opvangsysteem het gemaaide gras niet opvangt. Als het probleem blijft bestaan wanneer de opvangzakken leeg zijn, controleert u het opvangkanaal op verstopping.
 - Als u een los voorwerp raakt, stopt u de maaier en controleert u het opvangsysteem op schade.
 - Zorg dat het opvangkanaal niet is verdraaid.
 - Laat het opvangkanaal niet langs gebouwen of andere harde oppervlakken schuren.

Onderhoud

Inleiding



WAARSCHUWING: Voordat u onderhoudswerkzaamheden gaat uitvoeren, dient u het hoofdstuk over veiligheid te lezen en hebben begrepen.

X = De instructies zijn opgenomen in deze gebruikershandleiding.

O = Raadpleeg de motorhandleiding voor instructies.

Onderhoudsschema voor de gebruiker

Onderhoudsschema

* = De instructies zijn niet opgenomen in deze bedieningshandleiding.

| Onderhoud | Dagelijks onderhoud | Onderhoudsinterval in uren | | |
|--|---------------------|----------------------------|----|----|
| | Vóór gebruik | 5 | 25 | 50 |
| Controleer en reinig de opvangzakken. | X | X | | |
| Controleer of de moeren en schroeven goed zijn vastgedraaid. | X | | | |

| Onderhoud | Dagelijks onderhoud | Onderhoudsinterval in uren | | |
|--|---------------------|----------------------------|----|----|
| | Vóór gebruik | 5 | 25 | 50 |
| Controleer of het opvangkanaal goed vastzit. | X | | | |
| Reinig het product. | | | | X |

Product reinigen

- Gebruik een borstel om ongewenst materiaal en gras op het product te verwijderen.
- Gebruik indien nodig een hogedrukreiniger en een mild reinigingsmiddel. Overschrijd een waterdruk van 1000 psi (68,9 bar) niet.

Probleemoplossing

Probleemoplossingsschema

Als u in deze bedieningshandleiding geen oplossing voor uw probleem kunt vinden, neem dan contact op met uw Husqvarna-servicewerkplaats.

| Probleem | Oorzaak |
|--|---|
| Verlies van luchtstroom. | Het opvangkanaal of de inlaat van de kap van de opvangbak is verstopt. |
| | De opvangbak is vol. |
| | De stof in de opvangbak is verstopt. |
| Ongebruikelijke trillingen of geluid. | Er bevindt zich een vast object in de opvangbak. |
| | Losse of ontbrekende schroeven of moeren. |
| De klep van de opvangbak is moeilijk te sluiten. | Voorwerpen in de opvangbak blokkeren de klep van de opvangbak. |
| | De scharnierschroeven van de klep van de opvangbak zijn te vast gedraaid. |

Vervoer, opslag en verwerking

Transport

- Sleep het product niet.
- Het product is zwaar en kan letsel door verbrijzeling veroorzaken. Wees voorzichtig wanneer u het product op een voertuig of aanhangwagen laadt of eraf haalt.
- Laad het product achteruit op goedgekeurde oprijplaten met een maximale bedieningshoek van 10°. Hijs het product niet op.
- Gebruik een goedgekeurde aanhangwagen voor vervoer van het product.
- Zorg dat u de plaatselijk geldende verkeersregels kent voor het vervoeren van het product op een aanhanger of voor rijden op de openbare weg.
- Vergrendel het product met goedgekeurde hulpmiddelen, zoals riemen. Gebruik slijprijmen op het product of de betreffende delen van het frame. De parkeerrem is niet voldoende om het product tijdens transport te zekeren.

Opslag

Bereid het product voor op opslag aan het eind van het seizoen, en voorafgaand aan opslag langer dan 30 dagen. Als u de brandstof langer dan 30 dagen in de tank laat zitten, kunnen kleverige deeltjes verstopping in de carburateur veroorzaken. Dit heeft een negatief effect op de werking van de motor.

Voeg een stabilisatiemiddel toe aan de brandstof om te voorkomen dat kleverige deeltjes ontstaan tijdens opslag van de machine. Bij gebruik

van alkylaatbenzine is toevoegen van een stabilisatiemiddel niet nodig. Als u standaard benzine gebruikt, ga dan niet over op het gebruik van alkylaatbenzine. Hierdoor kunnen kwetsbare rubberen onderdelen hard worden. Voeg een stabilisatiemiddel toe aan de brandstof in de tank of in de jerrycan. Gebruik altijd de mengverhoudingen die de fabrikant voorschrijft. Voeg het stabilisatiemiddel toe en laat de motor minimaal 10 minuten draaien, totdat de brandstof in de carburateur stroomt.



WAARSCHUWING: Zet het product met brandstof in de tank niet binnen of op plekken met een slechte ventilatie. Er is gevaar voor brand als brandstofdampen dicht bij open vuur, vonken of waakvlammen zoals die van boilers, heetwatertanks of wasdrogers komen.



WAARSCHUWING: Verwijder gras, bladeren en andere brandbare materialen van het product om het risico van brand te verkleinen. Laat het product voorafgaand aan opslag afkoelen.

- Reinig het product, zie *Product reinigen op pagina 155*.
 - Verwijder ongewenst materiaal van de koelventilator.
 - Werk lakbeschadigingen bij om corrosie te voorkomen.
 - Inspecteer het product op versleten of beschadigde onderdelen en draai loszittende moeren en schroeven vast.
 - Verwijder de accu. Reinig hem, laad hem op en berg hem op een koele plaats op.
 - Ververs de motorolie en voer de afgewerkte olie af.
 - Leeg de brandstoftank. Start de motor en laat die draaien tot de carburateur leeg is.
-

Let op: Leeg de brandstoftank en de carburateur niet als u een stabilisatiemiddel aan de tank heeft toegevoegd.

- Verwijder de bougies en giet ongeveer een eetlepel motorolie in elke cilinder. Draai de motoras om de olie aan te brengen en breng de pluggen weer aan.
- Smeer alle smeernippels, koppelingen en assen.
- Stal het product in een schone en droge ruimte, en dek het product af met een hoes voor extra bescherming.

INNHold

| | | | |
|-------------------|-----|--|-----|
| Innledning..... | 157 | Vedlikehold..... | 163 |
| Sikkerhet..... | 158 | Feilsøking..... | 163 |
| Installasjon..... | 161 | Transport, oppbevaring og avhending..... | 164 |
| Drift..... | 162 | | |

Innledning

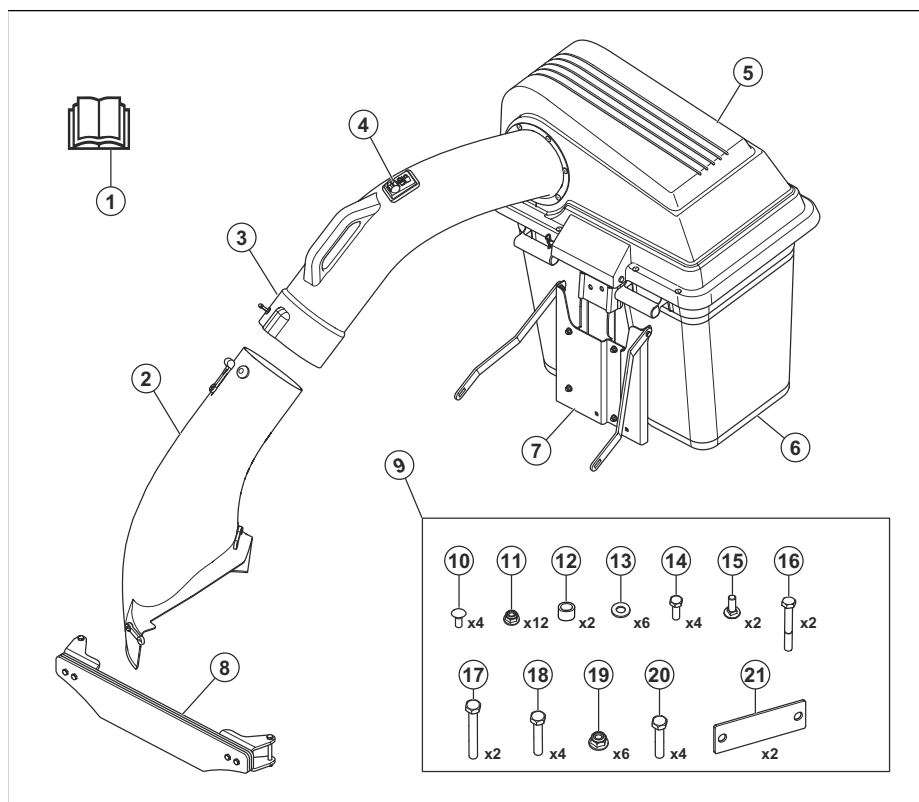
Produktbeskrivelse

Dette produktet er et gressoppsamlingsystem. Det oppsamlede gresset kan brukes som kompost for plenen eller plantebed, eller kastes som hageavfall.

Bruksområder

Dette produktet er laget for å samle opp gressrester under klipping for å gi plenen et velpleid utseende. Ikke bruk produktet til andre oppgaver.

Produktoversikt



1. Brukerhåndbok
2. Utkastersjakt på siden
3. Oppsamlersjakt
4. Indikator for full pose
5. Panser
6. Pose
7. Oppsamlerbrakett

8. Frontvekt
9. Pose med deler
10. Bærebolt, 5/16-18 x 3/4
11. Mutter, 5/16
12. Avstandsstykke
13. Skive
14. Sekskantbolt, 5/16-18 x 1

15. Bærebolt, 5/16-18 x 1-1/4
16. Sekskantbolt, 5/16-18 x 2-1/4
17. Sekskantbolt, 3/8-16 x 3-1/2
18. Sekskantbolt, 3/8-16 x 2-1/2
19. Mutter, 3/8
20. Sekskantbolt, 3/8-16 x 2-1/4
21. Forsterkningsplate

- Produktet er reparert på feil måte.
- Produktet er reparert med deler som ikke kommer fra produsenten eller som ikke er godkjent av produsenten.
- Produktet har et tilbehør som ikke kommer fra produsenten eller som ikke er godkjent av produsenten.
- Produktet er ikke reparert på et godkjent servicesenter eller av en godkjent aktør.

Skader på produktet

Vi er ikke ansvarlige for skader på produktet vårt hvis:

Sikkerhet

Sikkerhetsdefinisjoner

Advarsler, oppfordringer og merknader brukes for å understreke spesielt viktige deler av bruksanvisningen.



ADVARSEL: Brukes hvis det er fare for personskade eller død for brukeren eller andre personer om instruksjonene i håndboken ikke følges.



OBS: Brukes hvis det er fare for skade på produktet, annet materiell eller nærliggende områder om instruksjonene i håndboken ikke følges.

Merk: Brukes for å gi mer nødvendig informasjon for en spesifikk situasjon.

Generelle sikkerhetsinstruksjoner



ADVARSEL: Les de følgende advarselsinstruksjonene før du bruker klipperen.



ADVARSEL: Dette produktet kan kutte av hender og føtter og slynge ut gjenstander. Dersom følgende sikkerhetsanvisninger ikke blir fulgt, kan dette føre til alvorlig personskade eller død.



ADVARSEL: Hvis advarslene og instruksjonene ikke følges, kan det føre til alvorlig skade på brukeren eller andre personer. Eieren må ha forstått disse instruksjonene, og må bare la gressklipperen brukes av godkjente personer som forstår disse instruksjonene. Alle som bruker klipperen må ha god fysisk og psykisk

helse, og må ikke være påvirket av medikamenter.

- Les, forstå og følg instruksjonene og advarslene i dette dokumentet, brukerhåndboken og på maskinen, motoren og utstyret.
- Maskinen må bare brukes av brukere som er ansvarlige og har fått opplæring, er kjent med instruksjonene og er fysisk i stand til å bruke maskinen.
- Sørg for å informere en person om at du skal bruke produktet, i tilfelle det oppstår en personskade eller ulykke.
- Ikke ha passasjerer på klipperen, og hold personer unna.
- Bruk ikke produktet hvis du er påvirket av alkohol eller medikamenter.
- Følg produsentens anbefalinger for hjulvekter eller motvekter.
- Lær deg hvordan du trygt bruker produktet og styreenhetene, og hvordan du stopper produktet raskt.
- Lær deg å gjenkjenne sikkerhetsmerkene.
- Hold produktet rent, slik at du tydelig kan lese skilt og merker.
- Husk at brukeren er ansvarlig for ulykker som involverer andre personer eller deres eiendom.
- Bruk bare produktet i dagslys eller med god belysning. Hold produktet på trygg avstand fra hull eller andre ujevnheter i bakken. Vær på utkikk etter mulige farer.
- Ikke la barn eller andre personer som ikke er godkjente som brukere av produktet, bruke eller utføre vedlikehold på det. Aldersgrense for bruk kan være underlagt lokale bestemmelser.
- Kontroller at det ikke befinner seg andre personer i nærheten av produktet når du starter motoren, kobler inn driften eller setter det i bevegelse.
- Hold et øye med trafikken når du klipper i nærheten av eller beveger deg over en vei.
- Bruk ikke produktet dersom du er trett, har drukket alkohol eller bruker medisiner eller noe annet som kan ha en negativ innvirkning på syn, vurderingsevne eller kroppskontroll.

- Parker alltid produktet på en jevn overflate med motoren avslått.
- Det må ikke utføres endringer på maskinen eller monteres uoriginalt utstyr uten tillatelse fra produsenten. Endringer på enheten kan føre til at enheten blir skadet eller at det blir farlig å bruke den.
- Fjern gjenstander som steiner, leker, ståltråd osv. som kan sette seg fast i knivene og bli kastet ut.
- Bare la ansvarlige voksne bruke produktet.
- Før du begynner å klippe, må du passe på at det ikke finnes andre personer eller kjæledyr i området. Stopp produktet hvis noen kommer inn i området.

Sikkerhetsinstruksjoner vedrørende barn



ADVARSEL: Barn kan bli alvorlig skadet eller drept av dette produktet. Les de følgende advarselinstruksjonene før du bruker produktet. Hold barn på avstand.

- Tragiske ulykker kan skje hvis brukeren ikke er oppmerksom på barn i området. Barn blir ofte tiltrukket av produktet og klippingen. Gå aldri ut fra at barn kommer til å oppholde seg der du så dem sist.
- Hold barn borte fra driftsområdet og under tilsyn av en annen ansvarlig voksen person enn brukeren.
- Hold øynene åpne, og slå av produktet umiddelbart hvis barn kommer inn i arbeidsområdet. Vær svært forsiktig i nærheten av hjørner, busker, trær eller annet som hindrer fri sikt.
- Vær ekstra forsiktig når du nærmer deg et uoversiktlig hjørne, busker, trær eller andre gjenstander som kan skjule et barn.
- Vær mens du rygger produktet, må du kikke bak deg og nedover etter små barn.
- Ikke la barn bruke produktet.
- American Academy of Pediatrics (Det amerikanske barnelegeakademiet) anbefaler at barn må være minst 16 år før de bruker en sittegressklipper.
- Ikke kjør med barn på maskinen, selv om kniven(e) er slått av. Barn kan falle av og bli alvorlig skadet eller påvirke klipperens sikkerhet. Barn som har fått sitte på tidligere, kan plutselig dukke opp i klippeområdet for en ny kjøretur, og bli overkjørt eller rygget ned av produktet.
- Reduser hastigheten før du svinger.
- Reduser hastigheten før du runder hjørner.
- Koble ut knivene når produktet ikke klipper.
- Lukk oppsamlerdekslet før du starter produktet.
- Koble fra klippekneivene når du flytter produktet på tvers av områder der gjenstander som slynges ut, kan være farlige.
- Ikke prøv å samle gjenstander som kan bli kastet ut fra oppsamlingssystemet.
- Bruk øyevern når du bruker produktet. Gjenstander som slynges ut, kan føre til øyeskader.
- Sørg for at oppsamlingsposene er tomme etter hver bruk og før lagring. Gress som blir igjen i oppsamlingsposene, kan føre til spontan forbrenning og kan starte en brann.
- Data viser at brukere over 60 år er involvert i en stor del av personskadene som oppstår ved bruk av kjøregressklippere. Slike brukere må vurdere sin evne til å bruke kjøregressklipperen på en måte som er trygg nok til å beskytte dem selv og andre mot personskade.

Sikkerhetsinstruksjoner før du monterer oppsamlingssystemet



ADVARSEL: Les de følgende advarselinstruksjonene før du bruker produktet.

- Parker på et jevnt underlag.
- Aktiver parkeringsbremsen.
- Sett styrespakene i nøytral stilling.
- Stopp motoren og fjern tenningsnøkkelen.
- Kontroller at alle bevegelige deler stopper før du monterer oppsamlingssystemet.

Sikkerhetsinstruksjoner for drift



ADVARSEL: Les de følgende advarselinstruksjonene før du bruker produktet.

- Ikke bruk klipperen hvis oppsamleren ikke er fullstendig montert.
- Ikke bruk gressklipperen med oppsamlingssystemet hvis frontvektene ikke er montert.
- Kontroller at alle bevegelige deler stopper før du åpner oppsamlingssystemet.
- Kontroller at alle bevegelige deler stopper før du fjerner tilstoppet gress fra oppsamlingssystemet.



ADVARSEL: Les de følgende advarselinstruksjonene før du bruker produktet.

Helling er en viktig ulykkesfaktor. Kjøring i helling krever ekstra forsiktighet.

- Kjør i produsentens anbefalte retning i helling. Vær forsiktig ved bruk i nærheten av stup.
- Unngå å klippe vått gress. Dekkene kan miste grepet.

- Ikke bruk klipperen under noen omstendigheter hvis du er usikker på klipperens trekraft, styring eller stabilitet. Dekkene kan skli selv om hjulene er stoppet.
- Ha alltid klipperen i gir når du kjører ned en skråning. Ikke kjør i nedoverbakke.
- Unngå å starte eller stoppe i hellinger. Ikke foreta plutselige hastighets- eller retningsendringer. Sving sakte og gradvis.
- Hvis dekkene mister grepet, kobler du ut knivene og fortsetter langsomt rett ned bakken.
- Vær ekstra forsiktig når du bruker klipperen med gressoppsamler eller annet tilbehør. Tilbehør kan påvirke klipperens stabilitet.
- Når du klipper i skråninger, øker risikoen for at du kan miste kontrollen over produktet og at det velter. Dette kan føre til personskade eller død. Du må alltid klippe forsiktig i skråninger. Hvis du ikke kan rygge opp en skråning, eller hvis du ikke føler deg trygg, bør du ikke klippe der.
- Fjern steiner, greiner og andre hindringer.
- Klipp gresset i skråningen opp og ned, ikke fra side til side.
- Ikke bruk produktet i skråninger som heller mer enn 10 grader.
- Kjør jevnt og langsomt i skråninger.
- Vær på utkikk etter og hold deg unna furer, hull og ujevnheter. Det er større fare for at produktet velter på underlag som ikke er flatt. Høyt gress kan skjule hindringer.
- Unngå å klippe nær kanter eller grøfter. Hold deg minst én maskinbredde unna disse farene. Produktet kan plutselig velte hvis et av hjulene kommer over kanten i en bratt skråning eller en grøft, eller hvis en kant gir etter.

- Tenningskablene er fjernet fra tennpluggene.



ADVARSEL: Væske som spruter ut under trykk, kan ha tilstrekkelig kraft til å trenge gjennom huden og forårsake alvorlig personskade. Hvis væske trenger inn i huden, må du oppsøke lege umiddelbart. Hold kroppen og hendene unna pinnhull eller dyser som sender ut væske under høyt trykk. Hvis det oppstår en lekkasje, må klipperen umiddelbart vedlikeholdes av en kvalifisert tekniker.



ADVARSEL: Avgassene fra motoren inneholder karbonmonoksid, som er en luktfri, giftig og svært farlig gass. Ikke kjør klipperen i innelukkede områder eller på steder uten tilstrekkelig ventilasjon.

- Hold produktet i god stand. Bytt ut slitte eller skadede deler.

Vær forsiktig når du utfører vedlikehold på knivene. Pakk inn kniven(e) eller bruk hansker. Bytt ut ødelagte blader. Ikke reparer eller endre knivene.

Hvis en tennpluggledning og/eller en negativ batterikabel er koblet til, må de kobles fra før det utføres reparasjoner.

For best mulig ytelse og sikkerhet skal det utføres regelmessig vedlikehold på produktet, som angitt i vedlikeholdsplanen. Se *Vedlikeholdsskjema på side 163*.

- Elektrisk støt kan forårsake personskade. Ikke berør kablene mens motoren er i gang. Ikke utfør en funksjonstest på tenningssystemet med fingrene.
- La produktet bli avkjølt før du utfører vedlikehold i nærheten av motoren.
- Knivene er skarpe og kan forårsake kuttskader. Sett beskyttelse på knivene eller bruk vernehansker når du arbeider med dem.
- Motoren må ikke dreies hvis tennpluggen eller tenningskabelen er fjernet.
- Forsikre deg om at alle mutre og bolter er riktig trukket til, og at utstyret er i god stand.
- Ikke still på justeringen av regulatorne. Hvis motorens turtall er for høyt, kan produktets komponenter bli skadet.
- Produktet er bare godkjent for bruk med utstyr som er levert eller anbefalt av produsenten.
- Bruk bare originaldeler ved reparasjon. Bruk av andre deler fører til at garantien blir ugyldig.

Sikkerhetsinstruksjoner for vedlikehold



ADVARSEL: Les de følgende advarselsinstruksjonene før du bruker produktet.



ADVARSEL: Produktet er tungt og kan forårsake personskader eller skader på eiendom eller det nærliggende området. Ikke utfør vedlikehold på motoren eller klippeaggregatet uten at disse betingelsene er oppfylte:

- Motoren er slått av.
- Produktet er parkert på et flatt underlag.
- Parkeringsbremsen er satt på.
- Tenningsnøkkelen står i stopp-stilling og er tatt ut.
- Knivene er frakoblet.
- Alle bevegelige deler har stoppet.

Installasjon

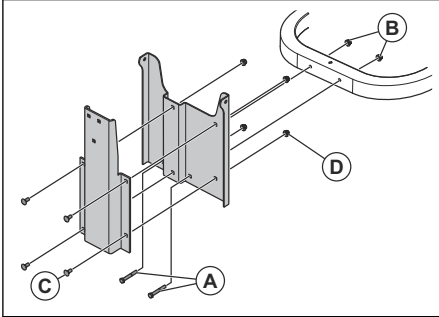
Innledning



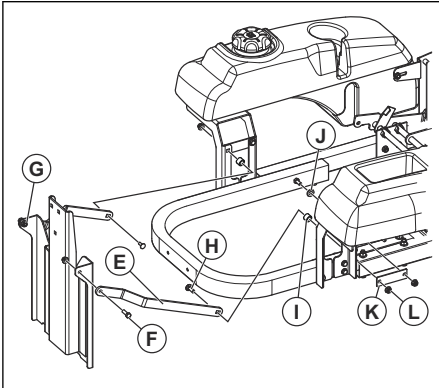
ADVARSEL: Les og forstå kapittelet om sikkerhet før du installerer produktet.

Slik monterer du oppsamlerbraketten

1. Monter støttebraketten på rammen med to av sekskantboltene på 5/16-18 x 2-1/4 (A) og to av mutrene på 5/16 (B).



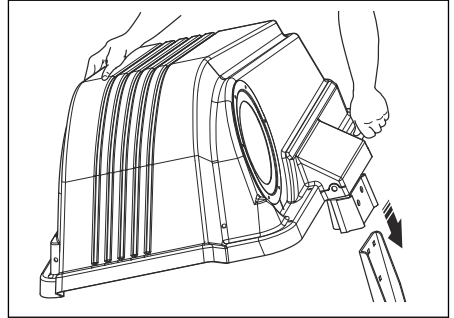
2. Monter hengerbraketten på støttebraketten med fire av vognboltene på 5/16-18 x 3/4 (C) og fire av mutrene på 5/16 (D).
3. Monter støttestroppene på støttebraketten.



4. Monter stroppene (E) på støttebraketten med to av vognboltene på 5/16-18 x 1-1/4 (F) og to av mutrene på 5/16 (G).
5. Monter stroppene på tankens braketter med fire av sekskantboltene på 5/16-18 x 1 (H), to avstandsstykker (I), to skiver (J), to forsterkningsplater (K) og fire av mutrene på 5/16 (L).

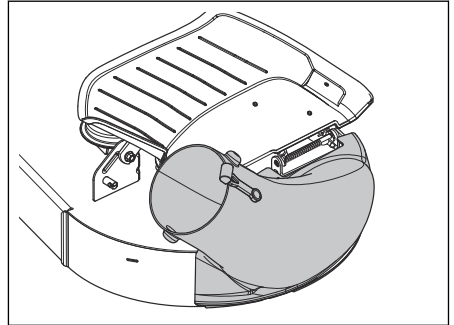
Slik monterer du oppsamlerpanseret

1. Monter oppsamlerbraketten. Se *Slik monterer du oppsamlerbraketten på side 161*.
2. Sett oppsamlerpanseret på oppsamlerbraketten.



Slik monterer du sideutkastsjakten

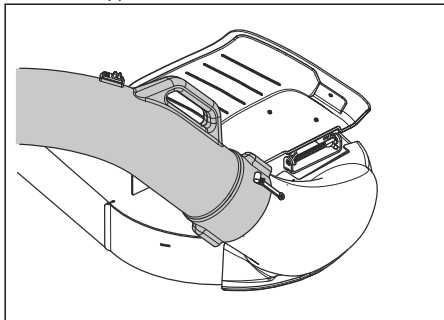
1. Løft sideutkastdekslet.
2. Plasser sideutkastsjakten rundt dekselbraketten.
3. Fest sideutkastsjaktlåsene til klipperaggregatet.



Slik monterer du oppsamlersjakten

1. Sett oppsamlersjakten på sideutkastsjakten.

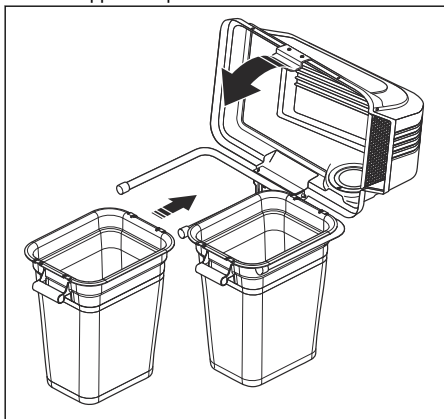
2. Fest stroppen.



3. Sett oppsamlersjakten inn i åpningen på oppsamlerpanseret.

Slik monterer du posene

1. Vipp oppsamlerpanseret.
2. Sett de to posene på støtterammen.
3. Lukk oppsamlerpanseret.

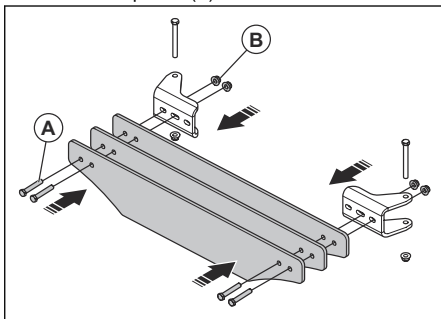


Slik monterer du frontvekten

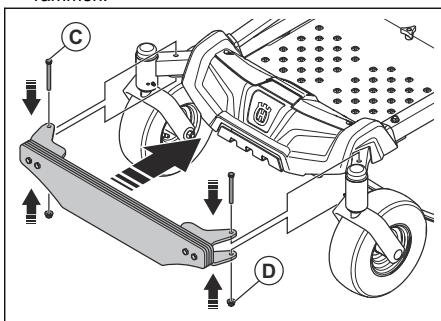


ADVARSEL: Ikke bruk oppsamlingssystemet uten frontvekter.

1. Monter frontvektplatene på brakettene med fire av sekskantboltene på 3/8-16 x 2-1/4 (A) og fire av mutrene på 3/8 (B). Ikke stram mutrene helt.



2. Juster hullene i brakettene etter hullene i rammen.



3. Monter boltene på 3/8-16 x 3-1/2 (C) og mutrene på 3/8 (D).
4. Trekk til alle mutrene.

Drift

Innledning



ADVARSEL: Før du bruker produktet, må du lese og forstå kapittelet om sikkerhet.

Slik bruker du produktet

- Følg driftsinstruksjonene i bruksanvisningen for klipperen.

- Kjør motoren på full hastighet når du bruker oppsamlingssystemet.
- Flytt produktet forover ved lav hastighet for å få et godt klipperesultat og gode oppsamlingsresultater.
- Klipp gresset to ganger hvis gresset er høyt og tykt. Den første klippingen må være i høyeste klippehøyde, og andre klipping i riktig høyde.
- Bruk venstre side av gressklipperen til å klippe nær gjenstander.

- Ikke klipp vått gress. Det er mer sannsynlig at vått gress tilstopper oppsamlersystemet.
- Tøm oppsamlingsposene hvis oppsamlingsystemet ikke samler opp det avklippede gresset. Påse at oppsamlersjakten ikke er tilstoppet hvis problemet vedvarer når oppsamlingsposene er tomme.
- Hvis du treffer en løs gjenstand, stopper du klipperen og sørger for at oppsamlingsystemet ikke er skadet.
- Hindre at oppsamlersjakten blir vridd.
- Ikke dra oppsamlersjakten langs sidene av bygninger eller andre harde overflater.

Vedlikehold

Innledning



ADVARSEL: Før du utfører vedlikeholdsarbeid, må du lese og forstå kapittelet om sikkerhet.

X = Du finner instruksjonene i denne bruksanvisningen.

O = Se bruksanvisningen for motoren for instruksjoner.

Vedlikeholdskjema for brukeren

Vedlikeholdsskjema

* = Du finner ikke instruksjonene i denne bruksanvisningen.

| Vedlikehold | Slik utfører du daglig ettersyn | Vedlikeholdsintervall i timer | | |
|---|---------------------------------|-------------------------------|----|----|
| | Før bruk | 5 | 25 | 50 |
| Kontroller og rengjør oppsamlingsposene. | X | X | | |
| Kontroller at skruene og mutrene er trukket til. | X | | | |
| Kontroller at oppsamlersjakten er skrudd godt på. | X | | | |
| Rengjør produktet. | | | | X |

Slik rengjør du produktet

- Bruk en børste til å fjerne uønsket materiale og gress på produktet.
- Bruk en høytrykksspyler og et mildt rengjøringsmiddel om nødvendig. Bruk ikke høyere vanntrykk enn 1000 psi (68,9 Bar).

Feilsøking

Feilsøkingsoversikt

Hvis du ikke finner en løsning på problemene dine i denne bruksanvisningen, kan du ta kontakt med ditt Husqvarna-serviceverksted.

| Problem | Årsak |
|----------------------------------|--|
| Tap av luftstrøm. | Oppsamlersjakten eller innløpet til oppsamlerdekselet er tilstoppet. |
| | Beholderen er full. |
| | Stoffet i oppsamleren er tilstoppet. |
| Uvanlige vibrasjoner eller støy. | En hard gjenstand er i oppsamleren. |
| | Løse eller manglende skruer eller mutre. |

| Problem | Årsak |
|---|---|
| Oppsamlerdekselet er vanskelig å lukke. | Gjenstander i oppsamleren forårsaker blokkering av oppsamlerdekselet. |
| | Hengselskruene på oppsamlerdekselet er for stramme. |

Transport, oppbevaring og avhending

Transport

- Ikke slep produktet etter deg.
- Produktet er tungt og kan forårsake klemskade. Vær forsiktig når du laster det på eller av et kjøretøy eller en tilhenger.
- Kjør klipperen i revers opp på godkjente ramper med en maksimal vinkel på 10 grader. Ikke løft produktet.
- Bruk en godkjent tilhenger til å transportere produktet.
- Påse at du har tilstrekkelig kjennskap til gjeldende trafikkregler før du transporterer produktet i en tilhenger eller på vei.
- Lås klipperen med godkjent utstyr, for eksempel stropper. Bruk festepunktene på produktet eller egnede områder av rammen. Parkeringsbremsen er ikke tilstrekkelig til å sikre klipperen under transport.

produktet bli avkjølt før du setter det i oppbevaring.

- Rengjør produktet. Se *Slik rengjør du produktet på side 163*.
- Fjern uønsket materiale fra kjøleviften.
- Reparer lakkskader for å forhindre rustdannelse.
- Se etter slitte eller skadde deler på produktet, og trekk til løse skruer og mutre.
- Fjern batteriet. Rengjør det, lad det opp, og oppbevar det på et kjølig sted.
- Skift motorolje, og kassér spilloljen.
- Tøm drivstofftanken. Start motoren, og kjør den til det forgasseren er helt tom for drivstoff.

Oppbevaring

Klargjør produktet for lagring ved slutten av sesongen og før mer enn 30 dagers lagring. Hvis du har drivstoff i tanken i 30 dager eller mer, kan klebrige støvpartikler forårsake blokkering i forgasseren. Dette har en negativ effekt på motoren.

Tilfør en stabilisator for å unngå klebrige partikler under lagring. Hvis du bruker alkylatbensin, er stabilisator ikke nødvendig. Hvis du bruker vanlig bensin, må du ikke endre til alkylatbensin. Dette kan føre til at følsomme gummikomponenter blir harde. Tilsett stabilisator til drivstoffet i tanken eller beholderen som brukes til oppbevaring. Bruk alltid blandingsforholdet angitt av produsenten. Legg til stabilisatoren og kjør motoren i minst 10 minutter til drivstoffet strømmer inn i forgasseren.



ADVARSEL: Ikke oppbevar produktet med drivstoff i tanken innendørs eller på steder med dårlig luftstrøm. Hvis bensindamp kommer i nærheten av åpen flamme, gnister eller tennbluss i for eksempel kjeler, tanker og tørketromler, kan det føre til brann.



ADVARSEL: Fjern gress, løv og annet brennbar materiale fra produktet for å redusere faren for brann. La

SPIS TREŚCI

| | | | |
|---------------------|-----|---|-----|
| Wstęp..... | 165 | Przegląd..... | 171 |
| Bezpieczeństwo..... | 166 | Rozwiązywanie problemów..... | 172 |
| Instalacja..... | 169 | Transport, przechowywanie i utylizacja..... | 172 |
| Przeznaczenie..... | 171 | | |

Wstęp

Opis produktu

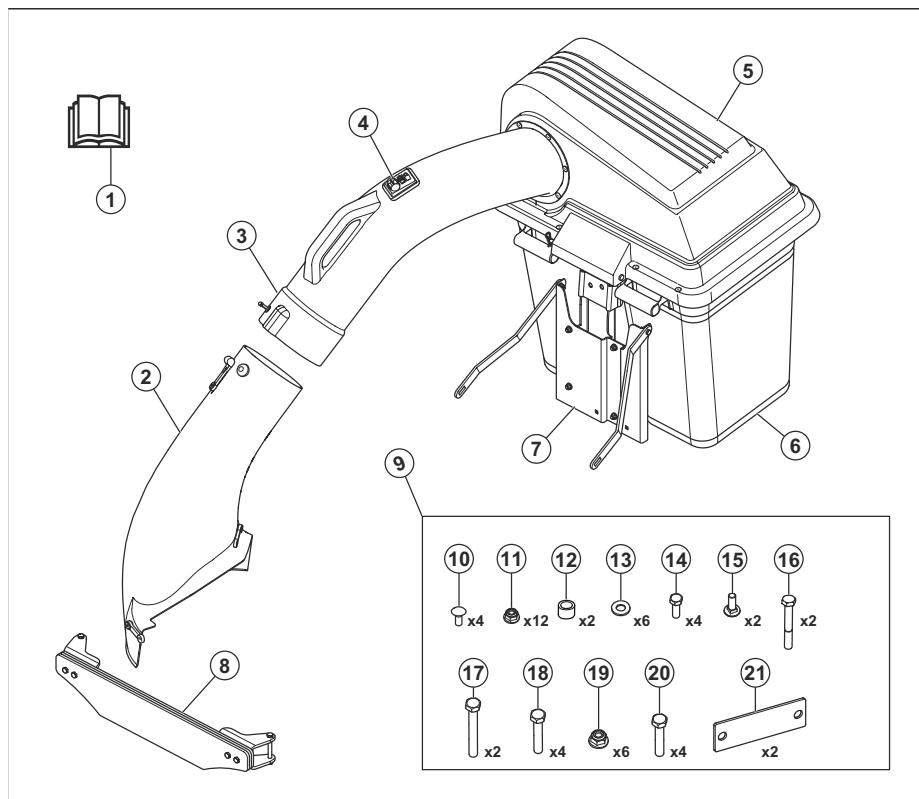
Urządzenie jest systemem zbierania trawy. Zebraną trawę można wykorzystać jako kompost do trawnika lub rabat albo wyrzucić jako odpady ogrodowe.

zadbany wygląd. Nie używać produktu do innych zadań.

Przeznaczenie

Urządzenie jest przeznaczone do zbierania ściętej trawy podczas koszenia, aby nadać trawnikowi

Przegląd produktu



1. Instrukcja obsługi

2. Boczna rynna wyrzutowa

3. Rynna kosza

4. Wskaźnik zapelnienia worka

5. Pokrywa

6. Worek

7. Uchwyt kosza
8. Przedni obciążnik
9. Worek z elementami montażowymi
10. Śruba zamkowa, 5/16-18 x 3/4
11. Nakrętka, 5/16
12. Element dystansowy
13. Podkładka
14. Śruba z łbem sześciokątnym, 5/16-18 x 1
15. Śruba zamkowa, 5/16-18 x 1-1/4
16. Śruba z łbem sześciokątnym, 5/16-18 x 2-1/4
17. Śruba z łbem sześciokątnym, 3/8-16 x 3-1/2
18. Śruba z łbem sześciokątnym, 3/8-16 x 2-1/2
19. Nakrętka, 3/8
20. Śruba z łbem sześciokątnym, 3/8-16 x 4-1/2

21. Płyta wzmacniająca

Uszkodzenie produktu

Nie odpowiadamy za uszkodzenia naszego produktu, w przypadku gdy:

- produkt jest nieprawidłowo naprawiany.
- produkt jest naprawiany przy użyciu części nie pochodzących od producenta lub niezatwierdzonych przez producenta.
- produkt jest wyposażony w akcesoria nie pochodzące od producenta lub niezatwierdzone przez producenta.
- produkt nie jest naprawiany w autoryzowanym centrum serwisowym lub przez autoryzowaną placówkę.

Bezpieczeństwo

Definicje dotyczące bezpieczeństwa

Ostrzeżenia, uwagi i informacje są używane do zwrócenia uwagi na szczególnie ważne sekcje instrukcji obsługi.



OSTRZEŻENIE: Jest używane, gdy istnieje ryzyko poważnych obrażeń, śmierci operatora lub uszkodzenia otoczenia w wyniku nieprzestrzegania instrukcji obsługi.



UWAGA: Jest używane, gdy istnieje ryzyko uszkodzenia materiałów lub urządzenia w wyniku nieprzestrzegania instrukcji obsługi.

Uwaga: Stosuje się, aby przekazać więcej informacji, które są przydatne w danej sytuacji.

Ogólne zasady bezpieczeństwa



OSTRZEŻENIE: Przed rozpoczęciem użytkowania produktu przeczytać następujące ostrzeżenia



OSTRZEŻENIE: Ten produkt stwarza niebezpieczeństwo obciążenia rąk i stóp oraz może wyrzucać w powietrze różne przedmioty. Nieprzestrzeganie poniższych instrukcji bezpieczeństwa może prowadzić do poważnych obrażeń, a nawet śmierci.



OSTRZEŻENIE: Niezachowanie ostrożności podczas obsługi może być przyczyną poważnych obrażeń operatora i osób postronnych. Użytkownik musi zapoznać się

z instrukcjami i nie dopuszczać do obsługi kosiarki przez osoby z nimi niezaznajomione. Każda osoba obsługująca kosiarkę musi być zdrowa fizycznie i psychicznie oraz nie może być pod wpływem żadnych środków psychoaktywnych.

- Należy przeczytać ze zrozumieniem instrukcje i ostrzeżenia zawarte w niniejszym dokumencie, instrukcji, a także na produkcie, silniku i osprzęcie oraz stosować się do nich.
- Produktu mogą używać wyłącznie odpowiedzialne osoby, które zostały przeszkolone, zaznajomiły się z jego instrukcją i są fizycznie zdolne do jego obsługi.
- Użytkownik powinien poinformować o zamiarze korzystania z urządzenia inną osobę, która mogłaby wezwać pomoc w razie wypadku.
- Nie wolno przewozić pasażerów. Osoby postronne powinny zachować odpowiednią odległość.
- Nie wolno obsługiwać produktu pod wpływem narkotyków lub alkoholu.
- Przestrzegać zaleceń producenta dotyczących stosowania obciążników kół i przeciwcieżarów.
- Nauczyć się bezpiecznej eksploatacji produktu i obsługi jego elementów sterujących oraz w jaki sposób szybko wyłączyć produkt.
- Poznać znaczenie naklejek przypominających o zasadach bezpieczeństwa.
- Utrzymywać produkt w czystości, aby mieć pewność, że oznaczenia i naklejki są czytelne.
- Pamiętać o tym, że operator ponosi odpowiedzialność za wypadki z udziałem innych ludzi i ich własności.
- Używać produktu tylko przy świetle dziennym lub przy dobrym oświetleniu. Utrzymywać bezpieczną odległość od dołów i innych nierówności terenu. Przewidywać i uwzględnić inne prawdopodobne zagrożenia.

- Nie wolno pozwalać dzieciom ani innym nieupoważnionym osobom używać ani serwisować produktu. Lokalne przepisy mogą określać wiek operatora.
- Dopilnować, aby podczas uruchamiania silnika, włączania napędu lub jazdy produktu nikt nie znajdował się w pobliżu.
- W przypadku koszenia w pobliżu drogi lub w poprzek drogi zwracać uwagę na ruch uliczny.
- Nie wolno używać produktu, gdy odczuwa się zmęczenie, ani pod wpływem alkoholu lub leków, które mogą negatywnie wpływać na wzrok, zdolność oceny sytuacji lub panowanie nad wykonywanymi ruchami.
- Zawsze parkować produkt na równym podłożu i pozostawić z wyłączonym silnikiem.
- Nie modyfikuj ani nie instaluj niestandardowego sprzętu na urządzeniu bez zgody producenta. Modyfikacje urządzenia mogą spowodować niebezpieczną pracę lub jego uszkodzenie.

Zasady bezpieczeństwa dotyczące dzieci



OSTRZEŻENIE: Użytkowanie produktu stwarza zagrożenie poważnych obrażeń, a nawet śmierci dzieci. Przed rozpoczęciem użytkowania produktu przeczytać następujące ostrzeżenia. Nie dopuszczaj dzieci do kontaktu z produktem.

- Jeśli operator nie będzie zwracał uwagi na obecność dzieci, mogą wydarzyć się tragiczne wypadki. Dzieci często lubią przebywać w pobliżu produktu i towarzyszyć podczas czynności koszenia. Nie wolno zakładać, że dzieci pozostaną w tym samym miejscu, w którym ostatnio były widziane.
- Dzieci nie mogą zbliżać się do obszaru pracy i muszą być stale pod uważną opieką odpowiedzialnej osoby dorosłej, innej niż operator.
- Zachować czujność i natychmiast wyłączyć produkt, jeśli dzieci wejdą na obszar roboczy. Zachować szczególną ostrożność w pobliżu narożników, krzaków, drzew lub innych przedmiotów zasłaniających pole widzenia.
- Zachowuj szczególną ostrożność podczas zbliżania się do narożników, krzewów, drzew i innych obiektów, które mogą zasłonić widok dziecka.
- Przed rozpoczęciem i podczas cofania patrzeć w tył i w dół, aby upewnić się, że nie ma w pobliżu małych dzieci.
- Nie wolno pozwalać dzieciom na obsługę produktu.
- Amerykańska Akademia Pediatrii zaleca, aby ridery były obsługiwane przez osoby mające co najmniej 16 lat.
- Nie przewozić dzieci, nawet przy odłączonym(-ch) nożu(-ach). Dzieci mogą spaść i doznać poważnych obrażeń oraz stanowić zagrożenie dla bezpiecznej pracy produktu. Przewożone wcześniej dzieci mogą nagle wtargnąć do strefy pracy, domagając się kolejnej przejażdżki, co grozi ich potarciem, a nawet przejechaniem.

Instrukcje bezpieczeństwa dotyczące obsługi



OSTRZEŻENIE: Przed rozpoczęciem użytkowania produktu przeczytać następujące ostrzeżenia.

- Nie obsługiwać kosiarki, jeśli kosh nie jest w pełni zamontowany.
- Nie używać kosiarki z systemem zbierania, jeśli przednie obciążniki nie są zamontowane.
- Przed otwarciem systemu zbierania upewnić się, że wszystkie ruchome części zostały zatrzymane.
- Przed usunięciem zakleszczonej trawy z systemu zbierania upewnić się, że wszystkie ruchome części się zatrzymały.
- Oczyszczyć teren z takich przedmiotów, jak kamienie, pozostawione zabawki, druty itp., które mogą zostać pochwycone i wyrzucone przez noże.
- Maszynę mogą obsługiwać wyłącznie odpowiedzialne osoby dorosłe.
- Przed rozpoczęciem koszenia sprawdzić, czy w pobliżu nie przebywają osoby postronne lub zwierzęta. Jeśli ktokolwiek znajdzie się w pobliżu, należy zatrzymać urządzenie.
- Zmniejszyć prędkość przed zakrętem.
- Przed pokonaniem zakrętu zmniejszyć prędkość jazdy.
- Gdy maszyna nie będzie kosić, należy wyłączyć noże.
- Przed uruchomieniem urządzenia należy zamknąć pokrywę kosza.
- Podczas poruszania się maszyną po obszarach, gdzie wyrzucane przedmioty mogą być niebezpieczne, należy wyłączyć noże kosiarki.
- Nie należy próbować zbierać przedmiotów, które mogą zostać wyrzucone z systemu zbierania.
- Podczas korzystania z maszyny zawsze stosować ochronę oczu. Wyrzucane przedmioty mogą spowodować obrażenia oczu.
- Po każdym użyciu i przed przechowywaniem należy upewnić się, że worki są puste. Trawa pozostawiona w workach może spowodować samozapłon i wywołać pożar.
- Badania wskazują, że operatorzy w wieku lat 60 i powyżej często doznają urazów podczas pracy na traktorku z kosiarką. Operatorzy tacy muszą dobrze ocenić swoje zdolności w zakresie tego, czy są w stanie podczas obsługi wystarczająco ochronić siebie i innych przed obrażeniami.

Instrukcje bezpieczeństwa przed zamontowaniem systemu zbierania



OSTRZEŻENIE: Przed rozpoczęciem użytkowania produktu przeczytać następujące ostrzeżenia.

- Zaparkować na poziomym podłożu.
- Włączyć hamulec postojowy.
- Ustawić dźwignię sterującą w położeniu neutralnym.
- Wyłączyć silnik i wyjąć kluczyk zapłonu.
- Przed zamontowaniem systemu zbierania upewnić się, że wszystkie ruchome części się zatrzymały.

Instrukcje bezpieczeństwa dotyczące użytkowania na zboczach



OSTRZEŻENIE: Przed rozpoczęciem użytkowania produktu przeczytać następujące ostrzeżenia.

Poruszanie się po pochyłości znacznie zwiększa ryzyko wypadku. Praca na pochyłościach wymaga zachowania szczególnej ostrożności.

- Pochyłości należy pokonywać w kierunku zalecanym przez producenta. Zachować ostrożność podczas pracy w pobliżu uskoków terenu.
- Należy unikać koszenia mokrych trawników. Opony mogą utracić przyczepność.
- Nie wolno korzystać z produktu w warunkach zmniejszonej przyczepności, sterowności lub stabilności. Opony mogą się ześlizgiwać nawet po zatrzymaniu się kół.
- W czasie jazdy w dół produkt musi mieć zawsze załączony bieg. Nie wolno jechać w dół bez załączonego biegu.
- Należy unikać ruszania i zatrzymywania się na pochyłościach. Należy unikać gwałtownych zmian prędkości i kierunku jazdy. Zakręty należy pokonywać powoli i stopniowo.
- Jeśli opony stracą przyczepność, odłącz noże i powoli zjeżdżaj w dół stoku.
- Jeśli używany jest kosz na trawę lub inny osprzęt, należy zachować szczególną ostrożność. Elementy te mogą mieć wpływ na stabilność produktu.
- Koszenie na pochyłościach zwiększa ryzyko utraty kontroli oraz przewrócenia produktu. Może to spowodować obrażenia ciała lub śmierć. Podczas koszenia na pochyłościach wymagane jest zachowanie szczególnej ostrożności. Jeśli nie można cofnąć się w górę zbocza lub w przypadku poczucia zagrożenia, nie podejmować pracy.
- Usunąć kamienie, gałęzie i inne przeszkody.

- Na pochyłości trawę należy kosić w górę i w dół, a nie na boki.
- Nie używać produktu na zboczach o kącie nachylenia przekraczającym 10°.
- Po zboczach jechać płynnie i powoli.
- Rozglądać się i omijać koleiny, dziury i wyboje. Jeśli podłoże nie jest płaskie, istnieje zwiększone ryzyko przewrócenia się produktu. Wysoka trawa może zasłaniać przeszkody.
- Nie wolno kosić trawy w pobliżu krawędzi, rowów ani nabrzeży. Zachować odległość co najmniej szerokości maszyny od tych niebezpiecznych miejsc. Produkt może się nagle przewrócić, jeśli koło najedzie na krawędź stromego zbocza lub rowu albo jeśli krawędź zapadnie się pod ciężarem produktu.

Instrukcje bezpieczeństwa dotyczące konserwacji



OSTRZEŻENIE: Przed rozpoczęciem użytkowania produktu przeczytać następujące ostrzeżenia.



OSTRZEŻENIE: Produkt jest ciężki i może spowodować obrażenia ciała bądź uszkodzenie mienia lub sąsiedniego obszaru. Nie wolno wykonywać żadnych prac serwisowych przy silniku ani zespole tnącym bez spełnienia następujących warunków:

- Silnik jest wyłączony.
- Produkt jest zaparkowany na równej powierzchni.
- Hamulec postojowy jest włączony.
- Kluczyk zapłonu w położeniu zatrzymania i wyjęty.
- Noże są wyłączone.
- Wszystkie ruchome części przestały się obracać.
- Przewody zapłonowe są zdjęte ze świec zapłonowych.



OSTRZEŻENIE: Wypływający pod ciśnieniem płyn może przebić skórę i spowodować poważne obrażenia. W przypadku przedostania się płynu pod skórę należy niezwłocznie skorzystać z pomocy medycznej. Trzymać ciało i ręce z dala od otworów lub dysz, które wyrzucają płyn pod wysokim ciśnieniem. W przypadku wystąpienia wycieku należy niezwłocznie oddać produkt do serwisowania przez przeszkolonego technika.



OSTRZEŻENIE: Spaliny emitowane przez silnik zawierają tlenek węgla, który jest bardzo niebezpiecznym, bezwonnym i trującym gazem. Nie uruchamiać produktu w przestrzeniach zamkniętych ani niezapewniających wystarczającego przepływu powietrza.

- Produkt należy utrzymywać w dobrym stanie technicznym. Wymienić zużyte lub uszkodzone naklejki.

Podczas serwisowania noży należy zachować ostrożność. Odpowiednio owinać noże lub założyć rękawice ochronne. Wymienić uszkodzone noże. Nie wolno naprawiać ani modyfikować noży.

Przed przystąpieniem do jakichkolwiek napraw należy odłączyć przewody świec zapłonowych i przewód ujemny akumulatora.

Aby zapewnić możliwie jak najlepszą wydajność i bezpieczeństwo, regularnie wykonywać prace konserwacyjne przy produkcie, zgodnie z planem konserwacji. Patrz *Plan konserwacji na stronie 171*.

- Porażenie prądem może spowodować obrażenia. Nie dotykać przewodów, gdy silnik jest włączony. Nie wykonywać testu funkcjonowania układu zapłonowego za pomocą palców.
- Przed rozpoczęciem wykonywania prac konserwacyjnych przy silniku poczekać na ostygnięcie produktu.
- Noże są ostre i można się o nie skaleczyć. Na czas pracy przy nożach zabezpieczyć je lub nosić rękawice ochronne.
- Nie uruchamiać silnika wiele razy, gdy świeca zapłonowa lub przewód zapłonowy zostały wymontowane.
- Upewnić się, że wszystkie nakrętki i śruby są odpowiednio dokręcone oraz że osprzęt jest w dobrym stanie.
- Nie zmieniać ustawień regulatorów. Jeśli prędkość obrotowa silnika jest zbyt wysoka, podzespoły produktu mogą ulec uszkodzeniu.
- Atest produktu jest ważny wyłącznie, jeśli używane jest wyposażenie dostarczone lub zalecane przez producenta.
- Do napraw używać wyłącznie oryginalnych części. Użycie innych części skutkuje utratą gwarancji.

Instalacja

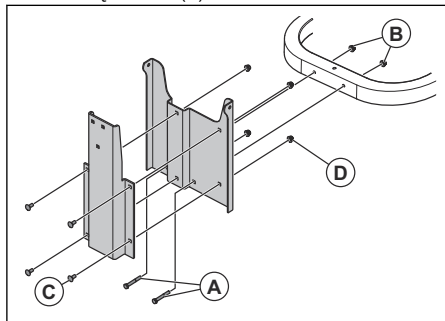
Wstęp



OSTRZEŻENIE: Przed zmontowaniem produktu należy zapoznać się z rozdziałem dotyczącym bezpieczeństwa.

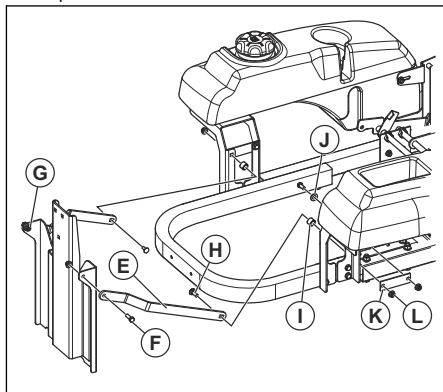
Montaż uchwyty kosza

1. Zamontować wspornik na ramie za pomocą 2 śrub z łbem sześciokątnym 5/16-18 x 2-1/4 (A) i 2 nakrętek 5/16 (B).



2. Zamontować wspornik nośny na wsporniku za pomocą 4 śrub zamkowych 5/16-18 x 3/4 (C) i 4 nakrętek 5/16 (D).

3. Zamontować opaski podtrzymujące na wsporniku.

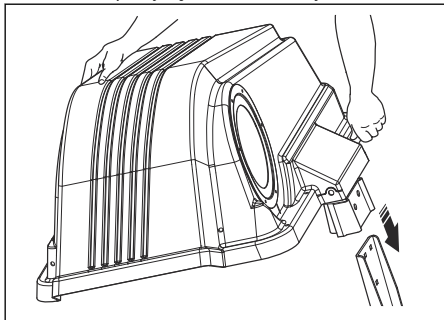


4. Zamocować opaski (E) do wspornika za pomocą 2 śrub zamkowych 5/16-18 x 1-1/4 (F) i 2 nakrętek 5/16 (G).
5. Zamocować paski do wsporników zbiornika za pomocą 4 śrub z łbem sześciokątnym 5/16-18 x 1 (H), 2 elementów dystansowych (I), 2 podkładek (J), 2 płyt wzmacniających (K) i 4 nakrętek 5/16 (L).

Montaż pokrywy kosza

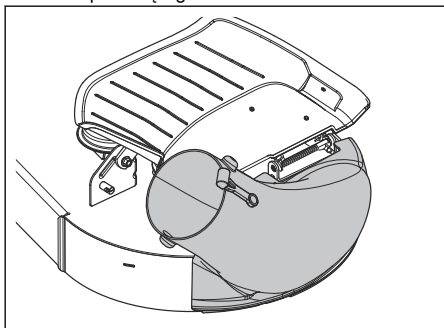
1. Zamontować uchwyt kosza. Patrz *Montaż uchwyty kosza na stronie 169*.

2. Umieścić pokrywę kosza na uchwycie kosza.



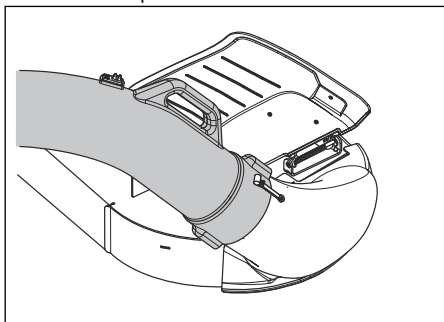
Montaż bocznej rynny wyrzutowej

1. Podnieść pokrywę wyrzutu bocznego.
2. Umieścić boczną rynnę wylotową wokół wspornika pokrywy.
3. Zamocować zatrzaski bocznej rynny wyrzutowej do zespołu tnącego.



Montaż rynny kosza

1. Umieścić rynnę wyrzutową na bocznej rynnie wyrzutowej.
2. Zamocować pasek.

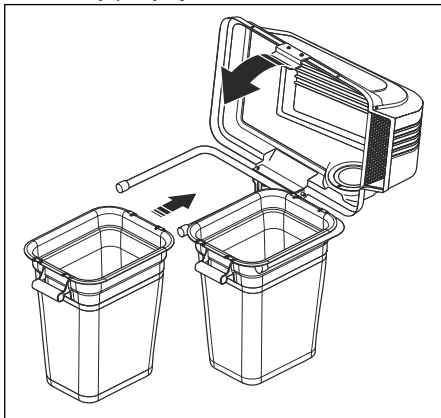


3. Włożyć rynnę kosza do otworu w pokrywie kosza.

Montaż worków

1. Przechylić pokrywę kosza.

2. Umieścić 2 worki na ramie nośnej.
3. Zamknąć pokrywę kosza.

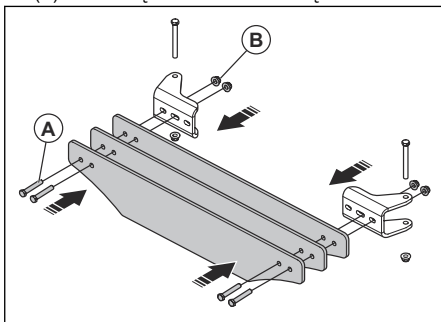


Montaż przedniego obciążnika

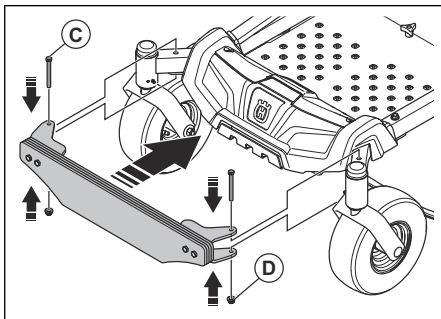


OSTRZEŻENIE: Nie używać systemu zbierania bez przednich obciążników.

1. Zamontować przednie płyty obciążników we wspornikach za pomocą 4 śrub z łbem sześciokątnym 3/8-16x2-1/4 (A) i 4 nakrętek 3/8 (B). Nie dokręcać całkowicie nakrętek.



2. Wyrównać otwory we wspornikach z otworami w ramie.



3. Wkręcić śruby 3/8-16x3-1/2 (C) i przykręcić nakrętki 3/8 (D).

4. Dokręcić wszystkie nakrętki.

Przeznaczenie

Wstęp



OSTRZEŻENIE: Przed użyciem urządzenia należy przeczytać ze zrozumieniem rozdział poświęcony bezpieczeństwu.

Obsługa produktu

- Należy przestrzegać wskazówek zawartych w instrukcji obsługi kosiarki.
- Podczas korzystania z systemu zbierania silnik powinien pracować na pełnych obrotach.
- Aby uzyskać dobre rezultaty koszenia i zbierania, należy przesuwac urządzenie do przodu z małą prędkością.
- Jeśli trawa jest wysoka i gruba, należy skosić ją 2 razy. Pierwsze cięcie musi być wykonane na najwyższej wysokości koszenia, a drugie na właściwej wysokości.

- Używać lewej strony kosiarki, aby kosić trawę w pobliżu obiektów.
- Nie kosić trawy, gdy jest mokra. Mokra trawa jest bardziej podatna na zatkanie w systemie zbierania.
- Opróżnić worki, jeśli system zbierania nie podnosi skoszonej trawy. Upewnić się, że rynna kosza nie jest zatkana, jeśli problem utrzymuje się, gdy worki są puste.
- Zatrzymać kosiarkę i upewnić się, że system zbierania nie jest uszkodzony w przypadku uderzenia luźnego przedmiotu.
- Nie dopuścić do skręcania rynny kosza.
- Nie przeciągać rynny kosza wzdłuż boków budynków lub innych twardych powierzchni.

Przegląd

Wstęp



OSTRZEŻENIE: Przed rozpoczęciem prac konserwacyjnych należy przeczytać ze zrozumieniem rozdział poświęcony bezpieczeństwu.

X = zalecenia są zawarte w niniejszej instrukcji obsługi.

O = instrukcje można znaleźć w instrukcji obsługi silnika.

Plan przeglądów dla operatora

Plan konserwacji

* = zalecenia nie zostały zawarte w niniejszej instrukcji obsługi.

| Przegląd | Codzienna konserwacja | Czas między przeglądami (w godzinach) | | |
|--|-----------------------|---------------------------------------|----|----|
| | Przed użytkowaniem | 5 | 25 | 50 |
| Sprawdzić i oczyścić worki. | X | X | | |
| Upewnić się, że nakrętki i śruby są dokręcone. | X | | | |
| Upewnić się, że rynna kosza jest dokręcona. | X | | | |
| Wyczyścić urządzenie. | | | | X |

Czyszczenie produktu

- Za pomocą szczotki usunąć niepożądane materiały i trawę zebraną w produkcie.

- W razie potrzeby użyć myjki wysokociśnieniowej i delikatnego środka czyszczącego. Ciśnienie wody nie może przekraczać 68,9 bar (1000 PSI).

Rozwiązywanie problemów

Schemat diagnostyki

Jeśli nie można znaleźć rozwiązania problemu w niniejszej instrukcji obsługi, skontaktować się z warsztatem obsługi technicznej firmy Husqvarna.

| Problem | Przyczyna |
|------------------------------------|--|
| Utrata przepływu powietrza. | Rywna kosza lub wlot pokrywy kosza są zatkane. |
| | Pojemnik jest pełny. |
| | Tkanina w koszu jest zapchana. |
| Nietypowe drgania lub hałas. | W koszu znajduje się twardy przedmiot. |
| | Poluzowane lub brakujące śruby lub nakrętki. |
| Trudno jest zamknąć pokrywę kosza. | Przedmioty znajdujące się w koszu powodują zablokowanie pokrywy kosza. |
| | Śruby zawiasów pokrywy kosza są zbyt mocno dokręcone. |

Transport, przechowywanie i utylizacja

Transportowanie

- Nie holować urządzenia.
- Produkt jest ciężki. Należy uważać na zagrożenie zmiążdżeniem. Podczas załadunku lub rozładunku produktu z pojazdu albo przyczepy należy zachować szczególną ostrożność.
- Załadować produkt jadąc tyłem stosując zatwierdzone pochylenie o maksymalnym kącie pracy wynoszącym 10°. Nie podnosić produktu.
- Używać atestowanej przyczepy do transportu produktu.
- Przed rozpoczęciem transportu produktu na przyczepie lub jazdy po drodze zapoznać się z lokalnymi przepisami ruchu drogowego.
- Zablokować produkt za pomocą zatwierdzonych urządzeń, takich jak paski. Użyć punktów mocowania na urządzeniu lub odpowiednich obszarach ramy. Na czas transportu samo zaciągnięcie hamulca postojowego nie wystarczy.

Aby zapobiec powstawaniu lepkich cząsteczek podczas przechowywania, dodać stabilizator. Jeśli używana jest benzyna alkilowa, stabilizator nie jest wymagany. Jeżeli wykorzystywana jest standardowa benzyna, nie należy zastępować jej benzyną alkilową. Może to spowodować stwardnienie delikatnych części gumowych. Dodać stabilizator do paliwa znajdującego się w zbiorniku lub kanistrze przeznaczonym do przechowywania. Przestrzegać zawsze wskazówek producenta dotyczących proporcji mieszanki. Dodać stabilizator i uruchomić silnik na co najmniej 10 minut, aż paliwo zacznie wpływać do gaźnika.



OSTRZEŻENIE: Nie przechowywać produktu z paliwem w zbiorniku wewnątrz budynku lub w miejscach ze złym przepływem powietrza. Ryzyko pożaru, gdy opary paliwa znajdują się blisko otwartego ognia, iskier lub kontrolki na kotłach, grzejnikach i suszarkach.

Przechowywanie

Przygotować produkt do przechowywania po zakończeniu sezonu lub przed przechowywaniem przez dłużej niż 30 dni. Jeżeli paliwo jest przechowywane w zbiorniku dłużej niż 30 dni, wówczas lepkie cząsteczki mogą doprowadzić do zablokowania gaźnika. Ma to negatywny wpływ na działanie silnika.



OSTRZEŻENIE: Usunąć trawę, liście i inne łatwopalne materiały z produktu, aby zmniejszyć ryzyko pożaru. Przed rozpoczęciem przechowywania produktu poczekać na jego ostygnięcie.

- Czyszczenie produktu, patrz *Czyszczenie produktu na stronie 171*.

- Usunąć niepożądane materiały z wentylatora chłodzącego.
- Naprawić uszkodzenia powłoki malarskiej, aby zapobiec rdzewieniu.
- Sprawdzić produkt pod kątem zużytych lub uszkodzonych części i dokręcić luźne śruby i nakrętki.
- Wyjąć akumulator. Wyczyścić, naładować i przechowywać w chłodnym miejscu.
- Wymienić olej silnikowy i zutylizować olej przepracowany.
- Opróżnić zbiornik paliwa. Uruchomić silnik i pozostawić włączony, aż do momentu opróżnienia gaźnika z paliwa.

Uwaga: po dodaniu stabilizatora nie opróżniać zbiornika paliwa ani gaźnika.

- Wykręcić świece zapłonowe i wlać do każdego cylindra łyżkę stołową oleju silnikowego. Ręcznie obrócić wał silnika, aby nalać olej i przykręcić z powrotem świece zapłonowe.
- Nasmarować wszystkie smarowniczkę, przeguby i osie.
- Przechowywać produkt w czystym, suchym miejscu i przykryć go dla dodatkowej ochrony.

ÍNDICE

| | | | |
|--------------------|-----|---|-----|
| Introdução..... | 174 | Manutenção..... | 180 |
| Segurança..... | 175 | Resolução de problemas..... | 181 |
| Instalação..... | 178 | Transporte, armazenamento e eliminação..... | 181 |
| Funcionamento..... | 180 | | |

Introdução

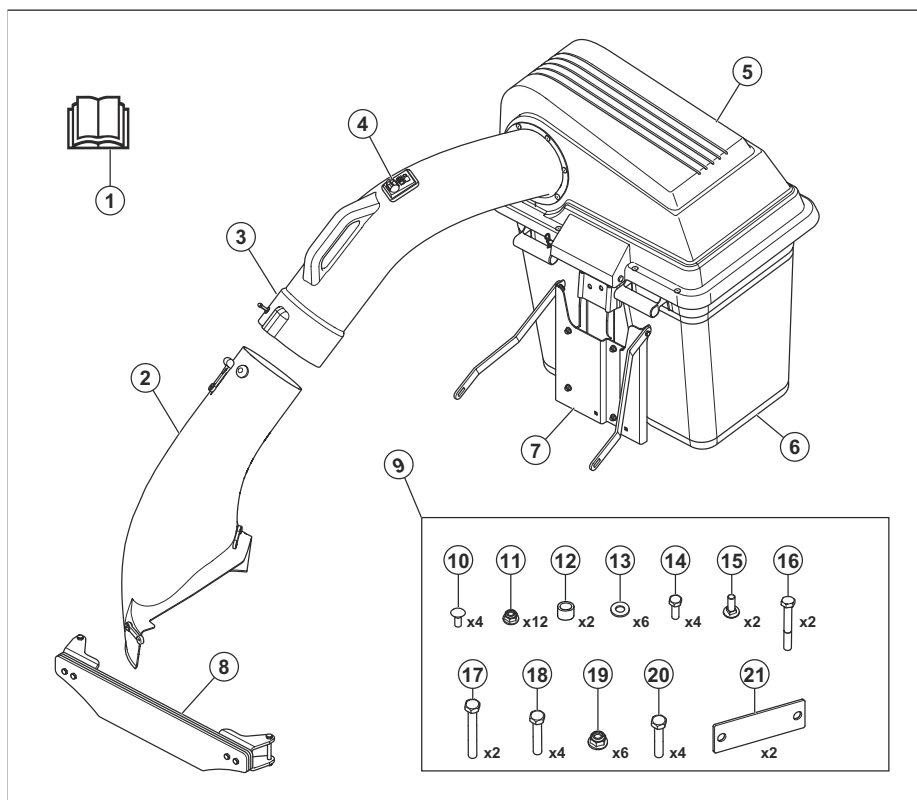
Descrição do produto

Este produto é um sistema de recolha de relva. A relva recolhida pode ser utilizada como composto para o relvado ou canteiros de plantas, ou ser eliminada como resíduo de jardim.

Finalidade

Este produto foi concebido para recolher aparas de relva durante a operação de corte para conferir ao seu relvado um aspeto bem cuidado. Não utilize o produto para outras tarefas.

Vista geral do produto



1. Manual do utilizador
2. Calha de descarga lateral
3. Calha do apanhador
4. Indicador de saco cheio
5. Cobertura
6. Saco

7. Suporte do apanhador
8. Peso dianteiro
9. Saco de material
10. Parafuso de pressão, 5/16-18x3/4
11. Porca, 5/16
12. Espaçador
13. Parafuso de pressão, 5/16-18x3/4
14. Parafuso de pressão, 5/16-18x3/4
15. Parafuso de pressão, 5/16-18x3/4
16. Parafuso de pressão, 5/16-18x3/4
17. Parafuso de pressão, 5/16-18x3/4
18. Parafuso de pressão, 5/16-18x3/4
19. Espaçador
20. Parafuso de pressão, 5/16-18x3/4
21. Espaçador

- 13. Anilha
- 14. Parafuso sextavado, 5/16-18x1
- 15. Parafuso de pressão, 5/16-18x1-1/4
- 16. Parafuso sextavado, 5/16-18x2-1/4
- 17. Parafuso sextavado, 3/8-16x3-1/2
- 18. Parafuso sextavado, 3/8-16x2-1/2
- 19. Porca, 3/8
- 20. Parafuso sextavado, 3/8-16x2-1/4
- 21. Placa de reforço

- o produto tiver sido incorretamente reparado.
- o produto tiver sido reparado com peças que não sejam do fabricante ou que não sejam aprovadas pelo fabricante.
- o produto tiver um acessório que não seja do fabricante ou que não seja aprovado pelo fabricante.
- o produto não tiver sido reparado por um centro de assistência autorizado ou por uma autoridade aprovada.

Danos no produto

Não somos responsáveis por danos no nosso produto se:

Segurança

Definições de segurança

Os avisos, as precauções e as notas são utilizados para indicar partes especialmente importantes do manual.



ATENÇÃO: Utilizado no caso de existir risco de ferimento ou morte para o utilizador ou transeuntes, se não forem respeitadas as instruções do manual.



CUIDADO: Utilizado se existir risco de danos para o produto, para outros materiais ou para a área adjacente, se não forem respeitadas as instruções do manual.

Nota: Utilizado para disponibilizar informações adicionais necessárias numa determinada situação.

Instruções de segurança gerais



ATENÇÃO: Leia as instruções de aviso que se seguem antes de utilizar o produto



ATENÇÃO: Este produto pode amputar mãos e pés e projetar objetos. O não cumprimento das seguintes instruções de segurança pode provocar ferimentos graves ou fatais.



ATENÇÃO: O incumprimento de práticas de funcionamento seguras pode resultar em ferimentos graves para o utilizador ou para terceiros. O proprietário tem de compreender estas instruções e permitir que o cortavelva seja utilizado apenas por pessoas que compreendam estas instruções. Todas as pessoas que utilizem o corta-

relva têm de ser física e mentalmente saudáveis e não podem estar sob influência de substâncias que alterem as capacidades mentais.

- Leia, compreenda e siga as instruções e os avisos presentes neste documento e no manual do utilizador, bem como no produto, no motor e nos acessórios.
- Este produto deve ser utilizado apenas por utilizadores responsáveis, qualificados, familiarizados com as instruções e com capacidade física para tal.
- Certifique-se de que informa alguém que vai utilizar o produto para que essa pessoa possa pedir ajuda em caso de ferimentos ou acidente.
- Não transporte passageiros e mantenha as pessoas afastadas.
- Não utilize o produto se estiver sob a influência de álcool ou drogas.
- Siga as recomendações do fabricante quanto a pesos ou contrapesos de rodas.
- Aprenda a utilizar o produto e os respetivos controlos em segurança, e saiba como parar o produto rapidamente.
- Aprenda a reconhecer os autocolantes de segurança.
- Mantenha o produto limpo para se certificar de que consegue ler bem os sinais e os autocolantes.
- Tenha em atenção que o utilizador é responsável pelos acidentes que incluam outras pessoas ou a respetiva propriedade.
- Apenas utilize o produto durante o dia ou em condições de boa iluminação. Mantenha o produto a uma distância de segurança de orifícios ou outras irregularidades no solo. Tenha atenção a outros possíveis riscos.
- Não permita a utilização ou a manutenção do produto por crianças ou outras pessoas sem aprovação para utilizar o produto. A legislação local pode regular a idade do utilizador permitida.

- Certifique-se de que ninguém permanece nas imediações do produto quando ligar o motor, ativar a transmissão ou começar a deslocar o produto.
- Esteja atento ao trânsito ao cortar junto a uma estrada ou atravessar uma estrada.
- Não utilize o produto quando estiver cansado, sob o efeito de álcool ou drogas, tiver tomado medicamentos ou outros produtos que possam afetar negativamente a sua visão, atenção, capacidade de discernimento ou o seu controlo físico.
- Estacione sempre o produto numa superfície nivelada com o motor parado.
- Não modifique ou instale na unidade, equipamento que não seja standard, sem o prévio consentimento do fabricante. As modificações da unidade podem provocar um funcionamento inseguro ou danos na unidade.

Instruções de segurança relativamente a crianças



ATENÇÃO: As crianças podem sofrer ferimentos graves ou morrer por causa deste produto. Leia as instruções de aviso que se seguem antes de utilizar o produto. Mantenha as crianças afastadas.

- Podem ocorrer acidentes trágicos se o operador não for alertado para a presença de crianças. As crianças são frequentemente atraídas pelo produto e pela atividade de corte de relva. Nunca assuma que as crianças permanecem no local onde as viu da última vez.
- Mantenha as crianças afastadas da área de trabalho e sob a vigilância atenta de um adulto responsável que não o operador.
- Mantenha-se vigilante e pare o produto imediatamente caso se encontrem crianças na área de trabalho. Tenha muito cuidado perto de cantos, arbustos, árvores ou outros objetos que previnam uma visão clara.
- Tenha extremo cuidado quando se aproximar de curvas sem visibilidade, arbustos, árvores ou outros objetos que possam impedi-lo de ver uma criança.
- Antes e enquanto desloca o produto em marcha atrás, olhe para trás e para baixo para ver se há crianças pequenas.
- Não permita que as crianças operem o produto.
- A Academia Americana de Pediatria recomenda que as crianças tenham, no mínimo, 16 anos de idade para operar um trator corta-relva.
- Não transporte crianças, mesmo com a(s) lâmina(s) desligada(s). As crianças podem cair e ficar gravemente feridas ou interferir com o funcionamento seguro do produto. As crianças que já tenham sido transportadas no produto anteriormente podem aparecer subitamente na

área de trabalho para andarem novamente no produto, podendo ser atropeladas pelo mesmo.

Instruções de segurança para funcionamento



ATENÇÃO: Leia as instruções de aviso que se seguem antes de utilizar o produto.

- Não utilize o corta-relva se o apanhador não estiver totalmente instalado.
- Não utilize o corta-relva com o sistema de recolha se os pesos dianteiros não estiverem instalados.
- Certifique-se de que todas as peças móveis estão paradas antes de abrir o sistema de recolha.
- Certifique-se de que todas as peças móveis estão paradas antes de remover a relva presa do sistema de recolha.
- Retire da área quaisquer objetos como pedras, brinquedos, fios, etc., que possam ficar presos ou ser projetados.
- O produto apenas deve ser utilizado por adultos responsáveis.
- Certifique-se que não se encontram pessoas nem animais de estimação na área antes de efetuar o corte de relva. Pare o produto se alguém entrar na área de trabalho.
- Diminua a velocidade antes de virar.
- Diminua a velocidade antes de fazer uma curva.
- Desengate as lâminas quando o produto não estiver a cortar relva.
- Feche a tampa do apanhador antes de utilizar o produto.
- Desengate as lâminas do corta-relva quando deslocar o produto em áreas onde a presença de objetos projetados possa ser perigosa.
- Não tente recolher objetos que possam ser projetados do sistema de recolha.
- Utilize proteção ocular quando utilizar o produto. Os objetos projetados podem causar ferimentos nos olhos.
- Certifique-se de que os sacos de recolha estão vazios após cada utilização e antes de os armazenar. A relva deixada nos sacos de recolha pode provocar uma combustão espontânea e dar origem a um incêndio.
- Os dados indicam que os utilizadores com 60 anos ou mais estão envolvidos numa grande percentagem de ferimentos relacionados com tratores corta-relva. Estes utilizadores têm de avaliar a respetiva capacidade para operar o trator corta-relva com segurança suficiente para evitar ferimentos neles próprios e em terceiros.

Instruções de segurança antes da instalação do sistema de recolha



ATENÇÃO: Leia as instruções de aviso que se seguem antes de utilizar o produto.

- Estacione numa superfície nivelada.
- Acione o travão de estacionamento.
- Coloque as alavancas de controlo na posição neutra.
- Pare o motor e retire a chave de ignição.
- Certifique-se de que todas as peças móveis estão paradas antes de instalar o sistema de recolha.

Instruções de segurança para funcionamento em declives



ATENÇÃO: Leia as instruções de aviso que se seguem antes de utilizar o produto.

Os declives são um dos principais fatores relacionados com acidentes. A utilização em declives requer um cuidado extra.

- Em declives, conduza na direção recomendada pelo fabricante. Proceda com cuidado ao trabalhar junto a descidas.
- Evite cortar relva molhada. A tração dos pneus pode diminuir.
- Não utilize o produto em qualquer condição em que a tração, a direção ou a estabilidade estejam em causa. Os pneus podem deslizar mesmo que as rodas estejam paradas.
- Mantenha sempre o produto engatado ao descer declives. Não conduza em ponto-morto em descidas.
- Evite arrancar ou parar em declives. Evite mudanças súbitas de velocidade ou de direção. Faça as curvas de forma lenta e gradual.
- Se os pneus perderem tração, desengate as lâminas e desça lentamente a inclinação.
- Tenha um cuidado extra quando utilizar o produto com um coletor de relva ou outro(s) acessório(s). Estes podem afetar a estabilidade do produto.
- Cortar relva em declives aumenta o risco de perda de controlo e de capotamento do produto. Estas ocorrências podem resultar em ferimentos ou morte. É necessário ter cuidado ao cortar relva em todos os declives. Se não conseguir sair de um declive ou se não se sentir em segurança, não corte nesse local.
- Retire pedras, ramos e outros obstáculos.
- Corte a relva a subir e a descer o declive, e nunca de lado a lado.
- Não utilize o produto em terrenos com um declive superior a 10°.

- Desloque-se devagar e suavemente em declives.
- Tenha atenção para não se deslocar sobre trincheiras, orifícios e lombas. Existe um risco mais elevado de capotamento do produto num piso desnivelado. A relva longa pode ocultar obstáculos.
- Não corte a relva próximo de bermas, valas ou inclinações. Utilize a largura da máquina como distância mínima para se manter afastado destes perigos. O produto pode capotar subitamente se uma das rodas se deslocar ao longo da bermas de um declive íngreme ou de uma vala, ou se uma bermas ceder.

Instruções de segurança para manutenção



ATENÇÃO: Leia as instruções de aviso que se seguem antes de utilizar o produto.



ATENÇÃO: O produto é pesado e pode causar ferimentos ou danos na propriedade ou na área adjacente. Não efetue a manutenção do motor ou da plataforma de corte sem reunir as seguintes condições:

- O motor está desligado.
- O produto está estacionado numa superfície nivelada.
- O travão de estacionamento está aplicado.
- A chave de ignição está na posição de paragem e foi removida.
- As lâminas não estão ativadas.
- Todas as peças móveis estão paradas.
- Os cabos de ignição foram removidos das velas de ignição.



ATENÇÃO: a fuga de fluidos sob pressão pode ter força suficiente para penetrar na pele e causar ferimentos graves. Se for injetado fluido na pele, procure imediatamente assistência médica. Mantenha o corpo e as mãos afastados dos orifícios dos pinos ou dos bocais que ejetem fluido a alta pressão. Se ocorrer uma fuga, o produto deve ser imediatamente reparado por um técnico qualificado.



ATENÇÃO: os gases de escape do motor contêm monóxido de carbono, um gás inodoro, tóxico e altamente perigoso. Não utilize o produto em

espaços fechados ou em espaços com um fluxo de ar insuficiente.

- Mantenha o produto em boas condições de funcionamento. Substitua as peças gastas ou danificadas.

Proceda com cuidado ao efetuar a manutenção das lâminas. Envolver a(s) lâmina(s) ou use luvas. Substitua as lâminas danificadas. Não repare nem altere a(s) lâmina(s).

Se existente(s), desligue o(s) fio(s) da vela de ignição e o cabo negativo da bateria antes de efetuar quaisquer reparações.

Para obter o melhor desempenho e segurança, efetue regularmente a manutenção do produto, de acordo com o esquema de manutenção. Consulte a secção *Esquema de manutenção na página 180*.

- Os choques elétricos podem causar ferimentos. Não toque nos cabos com o motor em funcionamento. Não efetue um teste de funcionamento no sistema de ignição com os seus dedos.

- Deixe o produto arrefecer antes de efetuar a manutenção perto do motor.
- As lâminas são afiadas e podem causar cortes. Coloque proteções contra o vento em redor das lâminas ou utilize luvas de proteção quando trabalhar nas mesmas.
- Não inverta o motor se a vela de ignição ou o cabo de ignição tiverem sido retirados.
- Certifique-se de que aperta corretamente todos os parafusos e porcas e de que o equipamento está em bom estado.
- Não efetue alterações ao ajuste dos reguladores. Se a velocidade do motor for demasiado elevada, os componentes do produto ficarão danificados.
- O produto é apenas aprovado com o equipamento fornecido ou recomendado pelo fabricante.
- Utilize apenas peças originais nas reparações. A utilização de outras peças anulará a garantia.

Instalação

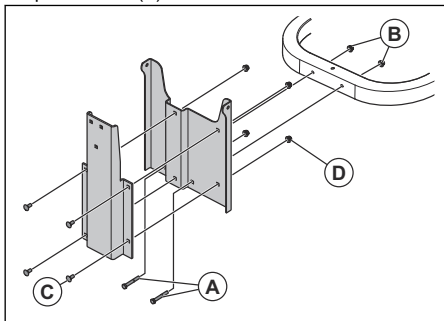
Introdução



ATENÇÃO: Certifique-se de que lê e compreende o capítulo sobre segurança antes de instalar o produto.

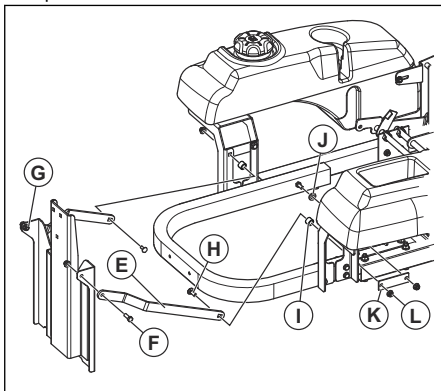
Instalar o suporte do apanhador

- Instale o suporte de apoio na estrutura com 2 parafusos sextavados 5/16-18x2-1/4 (A) e 2 porcas 5/16 (B).



- Instale o suporte de suspensão no suporte de apoio com 4 parafusos de pressão 5/16-18x3/4 (C) e 4 porcas 5/16 (D).

- Instale as correias de suporte no suporte de apoio.

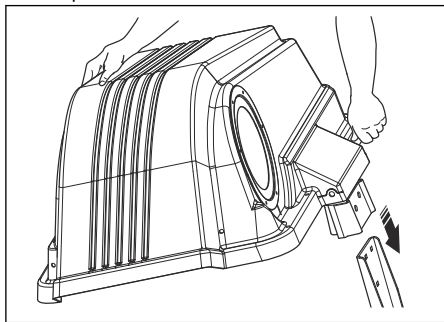


- Instale as correias (E) no suporte de apoio com 2 parafusos de pressão 5/16-18x1-1/4 (F) e 2 porcas 5/16 (G).
- Instale as correias nos suportes do depósito com 4 parafusos sextavados 5/16-18x1 (H), 2 espaçadores (I), 2 anilhas (J), 2 placas de reforço (K) e 4 porcas 5/16 (L).

Instalar a cobertura do apanhador

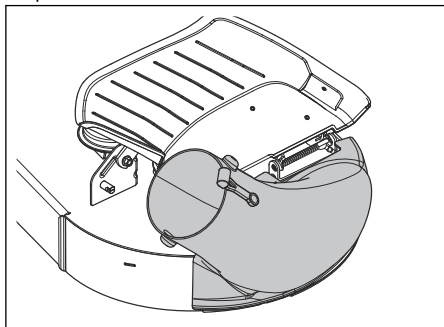
- Instale o suporte do apanhador. Consulte a secção *Instalar o suporte do apanhador na página 178*.

2. Coloque a cobertura do apanhador no suporte do apanhador.



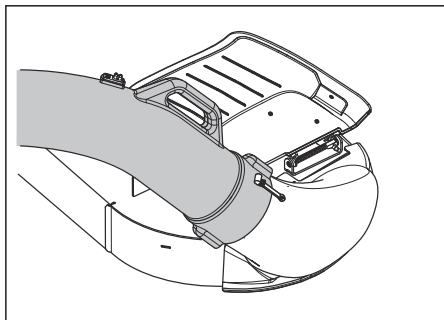
Instalar a calha de descarga lateral

1. Levante a cobertura de descarga lateral.
2. Coloque a calha de descarga lateral à volta do suporte da cobertura.
3. Fixe os trincos da calha de descarga lateral à plataforma do corta-relva.



Instalar a calha do apanhador

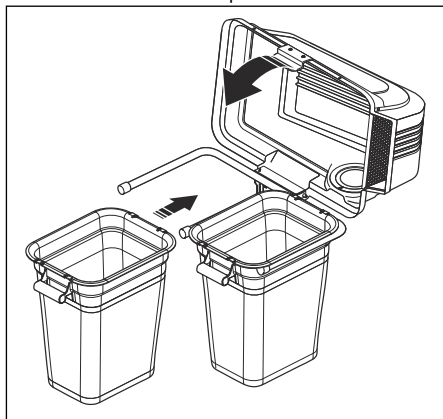
1. Coloque a calha do apanhador na calha de descarga lateral.
2. Fixe a correia.



3. Coloque a calha do apanhador na abertura da cobertura do apanhador.

Instalar os sacos

1. Incline a cobertura do apanhador.
2. Coloque os 2 sacos na estrutura de suporte.
3. Feche a cobertura do apanhador.

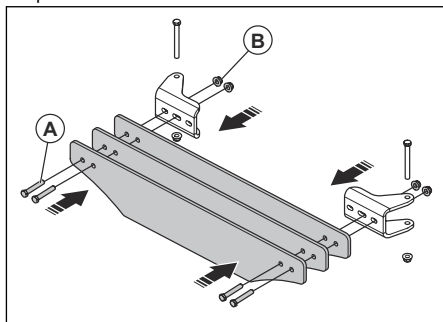


Instalar o peso dianteiro

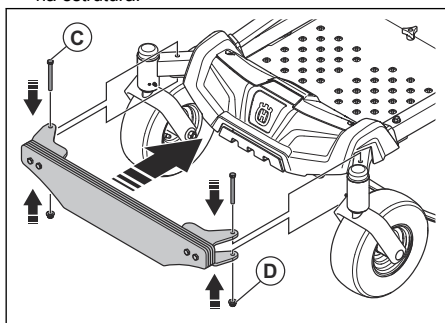


ATENÇÃO: não utilize o sistema de recolha sem pesos dianteiros.

1. Instale as placas de peso dianteiro nos suportes com 4 parafusos sextavados 3/8-16x2-1/4 (A) e 4 porcas 3/8 (B). Não aperte completamente as porcas.



2. Alinhe os orifícios nos suportes com os orifícios na estrutura.



3. Instale os parafusos 3/8-16x3-1/2 (C) e as porcas 3/8 (D).

4. Aperte todas as porcas.

Funcionamento

Introdução



ATENÇÃO: Antes de utilizar o produto, tem ler e compreender o capítulo sobre segurança.

Utilizar o produto

- Respeite as instruções de funcionamento presentes no manual do utilizador do corta-relva.
- Acione o motor à velocidade máxima quando utilizar o sistema de recolha.
- Desloque o produto para a frente a baixa velocidade para obter um bom resultado de corte e de recolha.
- Corte a relva 2 vezes se esta for alta e espessa. O primeiro corte tem de ser efetuado à altura de corte mais elevada e o segundo à altura correta.

- Utilize o lado esquerdo do corta-relva para cortar perto de objetos.
- Não corte um relvado molhado. Existe uma maior possibilidade de obstrução de relva molhada no sistema de recolha.
- Esvazie os sacos de recolha se o sistema de recolha não recolher a relva cortada. Certifique-se de que a calha do coletor não está obstruída se o problema persistir quando os sacos de recolha estiverem vazios.
- Pare o corta-relva e certifique-se de que o sistema de recolha não está danificado se atingir um objeto solto.
- Evite que a calha do apanhador fique torcida.
- Não arraste a calha do apanhador ao longo das laterais de edifícios ou de outras superfícies duras.

Manutenção

Introdução



ATENÇÃO: Antes de efetuar qualquer tarefa de manutenção, tem de ler e compreender o capítulo sobre segurança.

X = As instruções estão disponíveis neste manual do utilizador.

O = Consulte as instruções no manual do motor.

Esquema de manutenção para o utilizador

Esquema de manutenção

* = As instruções não estão disponíveis neste manual do utilizador.

| Manutenção | Manutenção diária | Intervalo de manutenção em horas | | |
|--|-------------------|----------------------------------|----|----|
| | Antes de utilizar | 5 | 25 | 50 |
| Verifique e limpe os sacos de recolha. | X | X | | |
| Certifique-se de que as porcas e os parafusos estão apertados. | X | | | |

| Manutenção | Manutenção diária | Intervalo de manutenção em horas | | |
|--|-------------------|----------------------------------|----|----|
| | Antes de utilizar | 5 | 25 | 50 |
| Certifique-se de que a calha do apanhador está apertada. | X | | | |
| Limpe o produto. | | | | X |

Limpar o produto

- Utilize um pincel para remover materiais indesejados e relva do produto.
- Se necessário, utilize uma máquina de lavar de alta pressão e um agente de limpeza suave. Não exceda a pressão da água de 68,9 bar (1000 psi).

Resolução de problemas

Esquema de resolução de problemas

Se não encontrar uma solução para os seus problemas neste manual do utilizador, contacte uma oficina autorizada Husqvarna.

| Problema | Causa |
|---|--|
| Perda de fluxo de ar. | A calha do apanhador ou a entrada da tampa do apanhador estão obstruídas. |
| | O recipiente está cheio. |
| | O tecido do apanhador está obstruído. |
| Vibrações ou ruídos invulgares. | Existe um objeto sólido no apanhador. |
| | Parafusos ou porcas soltos ou em falta. |
| A tampa do apanhador é difícil de fechar. | Os objetos no apanhador provocam um bloqueio da tampa do apanhador. |
| | Os parafusos da dobradiça da tampa do apanhador estão demasiado apertados. |

Transporte, armazenamento e eliminação

Transporte

- Não reboque o produto.
- O produto é pesado e pode causar ferimentos graves por esmagamento. Tenha cuidado ao carregá-lo e descarregá-lo de um veículo ou reboque.
- Carregue o produto em marcha-atrás em rampas aprovadas com um ângulo de funcionamento máximo de 10°. Não levante o produto.
- Utilize um reboque aprovado para o transporte do produto.
- Certifique-se de que conhece as regras de trânsito locais antes de transportar o produto num reboque ou em estradas.
- Bloqueie o produto com dispositivos aprovados, tais como correias. Utilize pontos de fixação no produto ou nas áreas aplicáveis da estrutura. O travão de estacionamento não é suficiente para bloquear o produto durante o transporte.

Armazenamento

Prepare o produto para armazenamento no final da estação e antes de mais de 30 dias de armazenamento. Se mantiver o combustível no depósito de combustível durante 30 dias ou mais, a aderência de partículas pode causar obstruções no carburador. Tal tem um efeito negativo no funcionamento do motor.

Para evitar a aderência de partículas durante o armazenamento, adicione um estabilizador. Se utilizar uma gasolina com base em alquilatos, não é necessário um estabilizador. Se utilizar gasolina normal, não mude para gasolina com alquilatos. Tal pode fazer com que as peças de borracha sensíveis se tornem rígidas. Adicione estabilizador ao combustível no depósito ou no recipiente utilizado para o armazenamento. Utilize sempre as proporções de mistura indicadas pelo fabricante. Adicione o estabilizador e coloque o motor em funcionamento durante, no mínimo, 10 minutos, até que o combustível flua para o carburador.



ATENÇÃO: Não mantenha o produto com combustível no depósito em espaços interiores ou em locais pouco ventilados. Risco de incêndio se os fumos do combustível se aproximarem de chamas abertas, faíscas ou luzes piloto, por exemplo, caldeiras, reservatórios de água quente e secadores de vestuário.



ATENÇÃO: Remova a relva, as folhas e outros materiais inflamáveis do produto para reduzir o risco de incêndio. Deixe o produto arrefecer antes de o armazenar.

- Limpe o produto; consulte *Limpar o produto na página 181*.
 - Remova os materiais indesejados da ventoinha de arrefecimento.
 - Repare os danos na pintura para prevenir a corrosão.
 - Examine o produto quanto a peças gastas ou danificadas e aperte as porcas e os parafusos soltos.
 - Retire a bateria. Limpe-a, carregue-a e mantenha-a a uma temperatura baixa durante o armazenamento.
 - Substitua o óleo de motor e elimine o óleo usado.
 - Esvazie o depósito de combustível. Ligue o motor e deixe-o trabalhar até não existir combustível no carburador.
-

Nota: Não esvazie o depósito de combustível e o carburador se tiver adicionado um estabilizador.

- Remova as velas e coloque, aproximadamente, uma colher de sopa de óleo de motor em cada cilindro. Rode manualmente o eixo do motor para aplicar o óleo e volte a colocar as velas.
 - Lubrifique todos os copos de lubrificação, juntas e eixos.
 - Guarde o produto numa área limpa e seca e coloque sobre uma cobertura sobre o mesmo para proteção adicional.
-

Conteúdo

| | | | |
|-----------------|-----|---|-----|
| Introdução..... | 183 | Manutenção..... | 189 |
| Segurança..... | 184 | Solução de problemas..... | 190 |
| Instalação..... | 187 | Transporte, armazenamento e descarte..... | 190 |
| OPERAÇÃO..... | 189 | | |

Introdução

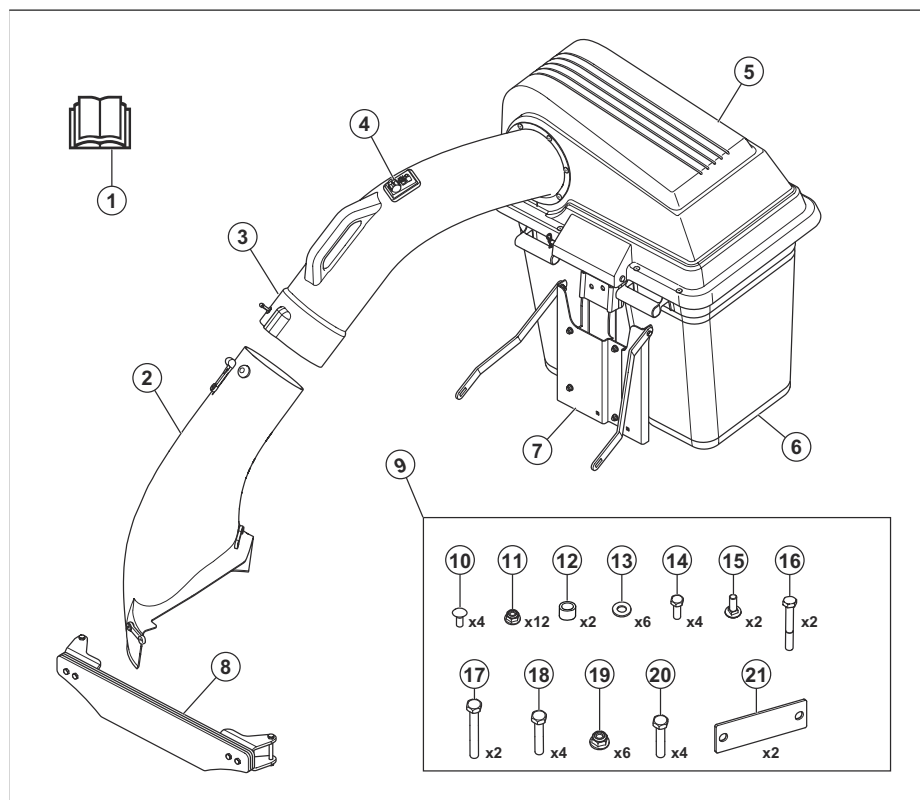
Descrição do produto

Este produto é um sistema para recolher grama. A grama recolhida pode ser usada como composto para gramados ou canteiros de plantas, ou descartada como lixo.

Uso previsto

Este produto recolhe aparas de grama durante a operação de corte da grama, para que seu gramado tenha uma aparência bem cuidada. Não use o produto para outras tarefas.

Visão geral do produto



1. Manual do operador
2. Conduto de descarga lateral
3. Conduto do coletor
4. Indicador de bolsa cheia
5. Tampa
6. Bolsa
7. Suporte do coletor
8. Peso dianteiro
9. Bolsa do hardware
10. Parafuso francês, 5/16-18x3/4
11. Porca, 5/16
12. Espaçador

13. Arruela
14. Parafuso sextavado, 5/16-18x1
15. Parafuso francês, 5/16-18x1-1/4
16. Parafuso sextavado, 5/16-18x2-1/4
17. Parafuso sextavado, 3/8-16x3-1/2
18. Parafuso sextavado, 3/8-16x2-1/2
19. Porca, 3/8
20. Parafuso sextavado, 3/8-16x2-1/4
21. Placa de reforço

- o produto seja reparado incorretamente.
- o produto seja reparado com peças que não sejam da marca do fabricante ou aprovadas pelo fabricante.
- o produto tenha um acessório que não seja da marca do fabricante ou não seja aprovado pelo fabricante.
- o produto não seja reparado em um centro de atendimento aprovado ou por uma autoridade aprovada.

Danos ao produto

Não assumimos responsabilidade por danos ao nosso produto se:

Segurança

Definições de segurança

Avisos, cuidados e observações são utilizados para chamar a atenção para partes especialmente importantes do manual.



AVISO: Utilizado se existir um risco de ferimentos ou morte para o operador ou a terceiros se as instruções no manual não forem respeitadas.



CUIDADO: Utilizado se existir um risco de danos para o produto, outros materiais ou para a área adjacente, se as instruções no manual não forem respeitadas.

Observação: Utilizados para conferir mais informações necessárias em uma determinada situação.

Instruções gerais de segurança



AVISO: Antes de usar o produto, leia as instruções de aviso a seguir



AVISO: Este produto é capaz de amputar mãos e pés e arremessar objetos. Deixar de seguir as instruções de segurança pode resultar em ferimentos graves ou morte.



AVISO: O não cumprimento das práticas de operação cautelosas pode resultar em ferimentos perigosos ao operador ou a outras pessoas. O proprietário deve acatar estas instruções e permitir que somente pessoas aprovadas operem o cortador conforme estas instruções. Todos que

operarem o cortador devem estar física e psicologicamente saudáveis, e não devem estar sob influência de substâncias psicoativas.

- Leia, compreenda e siga as instruções e avisos neste documento, no manual do operador e no produto, motor e acessórios.
- Só permita a operação do produto por operadores responsáveis, treinados, familiarizados com as instruções e fisicamente capazes de operá-lo.
- Certifique-se de informar a uma pessoa que você irá operar o produto caso ocorra uma lesão ou acidente.
- Não transporte passageiros e mantenha outras pessoas afastadas.
- Não opere o produto sob influência de álcool ou de outras drogas.
- Siga as recomendações do fabricante sobre pesos ou contrapesos das rodas.
- Saiba como usar o produto e seus controles com segurança e aprenda a pará-lo rapidamente.
- Aprenda a reconhecer os decalques de segurança.
- Mantenha o produto limpo para ter certeza de que consegue visualizar claramente os sinais e os adesivos.
- Tenha em atenção que o operador será responsável por acidentes que envolvam terceiros ou a sua propriedade.
- Use o produto apenas à luz do dia ou em outras condições bem iluminadas. Mantenha o produto a uma distância segura de buracos ou outras irregularidades no solo. Atente-se a outros riscos possíveis.
- Não permita que crianças ou outras pessoas não aprovadas para a operação do produto usem ou façam manutenção nele. As leis locais podem regular a idade do usuário.
- Certifique-se de que ninguém esteja próximo do produto ao dar partida no motor, engatar o acionamento ou começar a mover o produto.

- Preste atenção ao trânsito quando estiver cortando a grama perto de uma estrada ou quando passar por uma estrada.
- Não use o produto se estiver cansado, sob o efeito de álcool ou drogas, medicamentos ou qualquer coisa que possa afetar negativamente sua visão, consciência, coordenação ou capacidade de julgamento.
- Sempre estacione o produto em uma superfície nivelada com o motor desligado.
- Não modifique nem instale equipamentos fora do padrão na unidade sem o consentimento do fabricante. Modificações na unidade podem causar operações inseguras ou danificar a unidade.

Instruções de segurança relacionadas a crianças



AVISO: Crianças podem ser gravemente feridas ou mortas por este equipamento. Antes de usar o produto, leia as instruções de aviso que seguem. Mantenha as crianças afastadas.

- Acidentes trágicos podem ocorrer se o operador não está atento à presença de crianças. Em geral, as crianças são atraídas pelo produto e pela atividade de corte da grama. Nunca suponha que as crianças permanecerão onde você as viu pela última vez.
- Mantenha as crianças afastadas da área de operação e sob a supervisão de um adulto capaz além do operador.
- Se crianças entrarem na área de trabalho, fique atento e pare o produto imediatamente. Tenha muito cuidado perto de cantos, arbustos, árvores ou outros objetos que impeçam uma visão clara.
- Tenha ainda mais cuidado ao se aproximar de cantos cegos, arbustos, árvores ou outros objetos que possam bloquear sua visão da criança.
- Antes e durante a movimentação do produto em marcha à ré, olhe atrás de você e veja se há crianças pequenas.
- Não permita que crianças operem o produto.
- A Academia Americana de Pediatria recomenda que apenas maiores de 16 anos de idade possam operar um cortador de grama.
- Não transporte crianças, nem mesmo com as lâminas desligadas. As crianças podem cair e sofrer ferimentos graves, ou ainda prejudicar a operação segura do produto. Crianças que já tenham passeado no produto podem aparecer de repente na área de corte para passear mais uma vez e, com isso, podem ser atropeladas ou derrubadas pelo produto.

Instruções de segurança para operação



AVISO: Antes de usar o produto, leia as instruções de aviso que seguem.

- Não opere o cortador se o coletor não estiver totalmente instalado.
- Não opere o cortador com o sistema de coleta se os pesos dianteiros não estiverem instalados.
- Todas as peças móveis devem estar paradas antes da abertura do sistema de coleta.
- Todas as peças móveis devem estar paradas antes da remoção de entupimentos de grama do sistema de coleta.
- Deixe a área livre de objetos, como pedras, brinquedos, fios etc., que podem ficar presos nas lâminas e serem lançados para fora.
- Este produto deve ser operado somente por adultos.
- Antes de cortar, mantenha pessoas e animais afastadas de onde a grama será cortada. Se alguém entrar na área, pare o cortador.
- Diminua a velocidade antes de virar.
- Diminua a velocidade antes de fazer uma curva.
- Se o cortador parar de cortar, solte as lâminas.
- Feche a tampa do coletor antes de dar a partida no produto.
- Desengate as lâminas do cortador durante o deslocamento em áreas onde o produto possa pegar e arremessar objetos.
- Não tente recolher objetos que possam ser arremessados pelo sistema de coleta.
- Use proteção para os olhos ao usar o produto. Objetos arremessados podem ferir os olhos.
- As bolsas de coleta devem ser esvaziadas depois de cada uso e antes de guardar o produto. Restos de grama nas bolsas de coleta podem gerar combustão espontânea e iniciar um incêndio.
- Dados mostram que operadores com 60 anos de idade ou mais respondem por uma porcentagem considerável das lesões envolvendo cortadores de grama. Esses operadores devem avaliar sua capacidade de conduzir o cortador com segurança suficiente para proteger a si mesmos e às outras pessoas contra ferimentos.

Instruções de segurança antes da instalação do sistema de coleta



AVISO: Antes de usar o produto, leia as instruções de aviso que seguem.

- Estacione em solo nivelado.
- Acione o freio de estacionamento.

- Ponha as alavancas de controle na posição neutra.
- Pare o motor e remova a chave da ignição.
- Todas as peças móveis devem estar paradas antes da instalação do sistema de coleta.

Instruções de segurança para operação em encostas inclinadas



AVISO: Antes de usar o produto, leia as instruções de aviso que seguem.

As inclinações são um fator importante relacionado a acidentes. É necessário ter bastante cuidado para operar em inclinações.

- Em inclinações, locomova-se na direção recomendada pelo fabricante. Tenha cuidado ao operar próximo a declives abruptos.
- Evite cortar grama úmida. Os pneus podem perder tração.
- Não opere o produto sob nenhuma condição que possa prejudicar a tração, a direção ou a estabilidade. Os pneus podem deslizar mesmo se as rodas estiverem paradas.
- Ao descer inclinações, mantenha o produto sempre engrenado. Não desça "na banguela".
- Evite dar partida e parar em inclinações. Evite fazer alterações repentinas de velocidade ou de direção. Faça curvas de maneira lenta e gradual.
- Se os pneus perderem tração, desengate as lâminas e desça o declive em linha reta e baixa velocidade.
- Tome muito cuidado ao utilizar o produto com um coletor de grama ou outros acessórios. Eles podem afetar a estabilidade do produto.
- Corte grama em inclinações aumenta o risco de perda do controle ou do produto tombar. Isso pode causar ferimentos ou morte. É necessário cortar cuidadosamente a grama em inclinações. Se não for possível inverter uma inclinação ou se não se sentir seguro, não corte.
- Remova pedras, ramos e outros obstáculos.
- Corte a grama na inclinação para cima e para baixo, não de um lado para o outro.
- Não opere o produto em terrenos com inclinações superiores a 10°.
- Mova-se suave e lentamente em declives.
- Procure e não se mova em sulcos, buracos e protuberâncias. Há um risco maior de que o produto tombe em solo que não for plano. Gramas altas podem ocultar obstáculos.
- Não corte a grama perto de beiradas, valas ou aterros. Mantenha pelo menos a largura da máquina afastada destes perigos. O produto pode tombar repentinamente se uma roda se mover pela beirada de uma inclinação íngreme ou uma vala, ou se uma beirada ceder.

Instruções de segurança para manutenção



AVISO: Antes de usar o produto, leia as instruções de aviso que seguem.



AVISO: O produto é pesado e pode causar ferimentos ou danos à propriedade ou à área adjacente. Não faça manutenção no motor ou na plataforma de corte sem estas condições:

- Motor desligado.
- Produto estacionado em uma superfície plana.
- O freio de estacionamento esteja engatado.
- A chave de ignição na posição de parada e removida.
- As lâminas estão desengatadas.
- Todas as peças móveis tenham parado.
- Cabos de ignição removidos das velas de ignição.



AVISO: O fluido que escapa sob pressão pode ter força suficiente para penetrar na pele e causar ferimentos graves. Se o fluido for injetado na pele, procure assistência médica imediata. Mantenha o corpo e as mãos afastados dos orifícios dos pinos ou bocais que ejetam o fluido sob alta pressão. Se ocorrer um vazamento, faça a manutenção imediata do produto por um técnico treinado.



AVISO: Os gases de escape do motor contêm monóxido de carbono, um gás inodoro, tóxico e muito perigoso. Não opere o produto em espaços fechados ou sem fluxo de ar suficiente.

- Mantenha o produto em boas condições de funcionamento. Substitua as peças desgastadas ou danificadas.

Tome cuidado ao fazer a manutenção das lâminas. Embrulhe as lâminas ou use luvas. Substitua as lâminas danificadas. Não repare ou altere as lâminas.

Se equipado, desconecte os fios da vela de ignição e o cabo negativo da bateria antes de fazer qualquer reparo.

Para obter o melhor desempenho e segurança, faça a manutenção do produto regularmente, conforme especificado no cronograma de

manutenção. Consulte *Cronograma de manutenção* na página 189.

- Choques elétricos podem causar ferimentos. Não toque nos cabos quando o motor estiver ligado. Não faça um teste de função no sistema de ignição com os dedos.
- Deixe o produto esfriar para realizar a manutenção perto do motor.
- As lâminas são afiadas e podem cortar. Enrole a proteção em volta das lâminas ou use luvas de proteção ao trabalhar nas lâminas.
- Não ligue o motor se a vela ou o cabo de ignição tiverem sido removidos.

- Certifique-se de que todas as porcas e parafusos estejam apertados corretamente e que o equipamento esteja em boas condições.
- Não altere o ajuste dos reguladores. Se a rotação do motor estiver muito alta, os componentes do produto podem ser danificados.
- O produto é testado e aprovado apenas com o equipamento fornecido ou recomendado pelo fabricante.
- Nos reparos, use apenas peças originais. O uso de outras peças anula a garantia.

Instalação

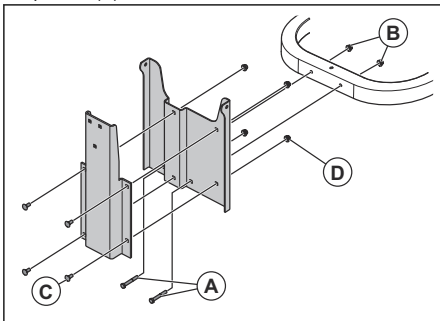
Introdução



AVISO: Antes de instalar o produto, leia atentamente o capítulo sobre segurança.

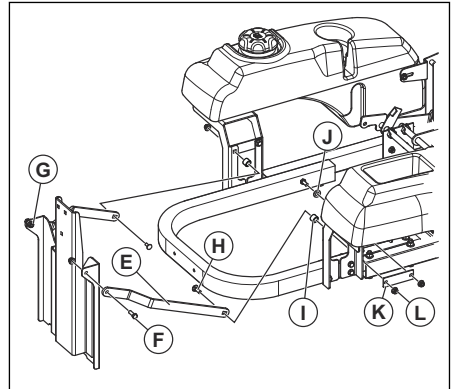
Como instalar o suporte do coletor

1. Instale o suporte de apoio no chassi usando 2 parafusos sextavados (A) de 5/16-18x2-1/4 e 2 porcas (B) de 5/16.



2. Instale o suporte de suspensão no suporte de apoio com 4 parafusos franceses (C) de 5/16-18x3/4 e 4 porcas (D) de 5/16.

3. Instale as cintas de apoio no suporte de apoio.

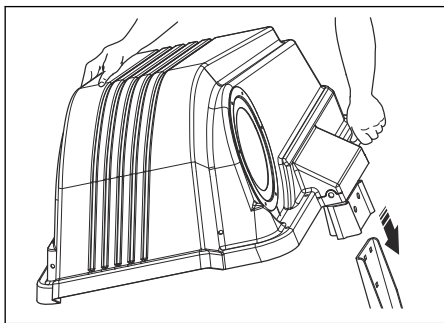


4. Instale as cintas (E) no suporte de apoio com 2 parafusos franceses (F) de 5/16-18x1-1/4 e 2 porcas (G) de 5/16.
5. Instale as cintas aos suportes do tanque com 4 parafusos sextavados (H) de 5/16-18x1, 2 espaçadores (I), 2 arruelas (J), 2 placas de reforço (K) e 4 porcas (L) de 5/16.

Como instalar a tampa do coletor

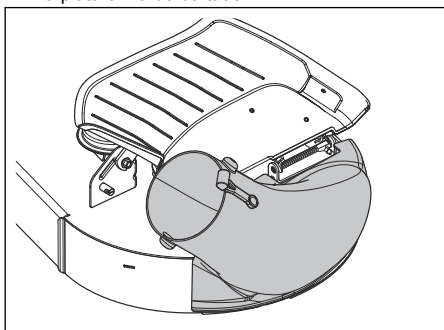
1. Instale o suporte do coletor. Consulte *Como instalar o suporte do coletor* na página 187.

2. Coloque a tampa do coletor no suporte do coletor.



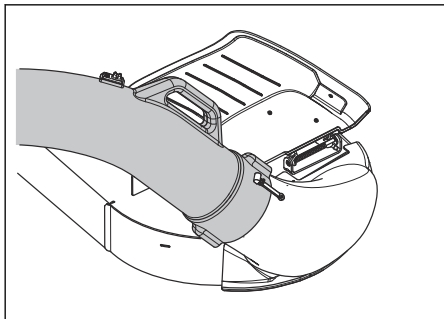
Como instalar o conduto de descarga lateral

1. Levante a tampa de descarga lateral.
2. Coloque o conduto de descarga lateral ao redor do suporte da tampa.
3. Prenda as travas do conduto de descarga lateral na plataforma do cortador.



Como instalar o conduto do coletor

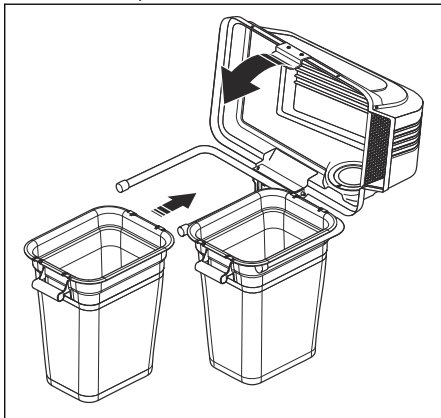
1. Ponha o conduto do coletor no conduto de descarga lateral.
2. Prenda a cinta.



3. Ponha o conduto do coletor na abertura na tampa do coletor.

Como instalar as bolsas

1. Incline a tampa do coletor.
2. Ponha as 2 bolsas no chassi de apoio.
3. Feche a tampa do coletor.

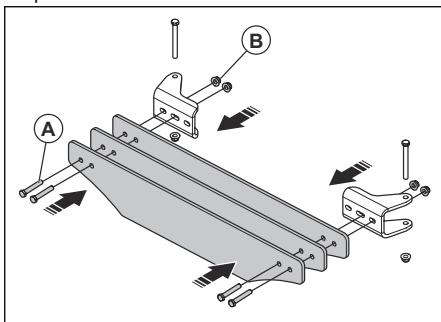


Como instalar o peso dianteiro

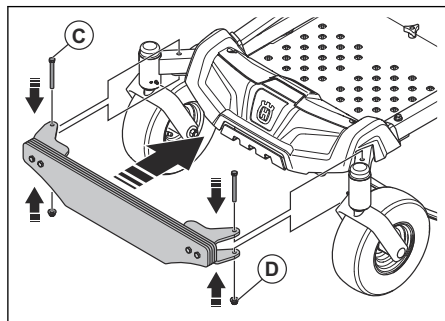


AVISO: Não use o sistema de coleta sem pesos dianteiros.

1. Instale as placas do peso dianteiro nos suportes com 4 parafusos sextavados (A) de 3/8-16x2-1/4 e 4 porcas (B) de 3/8. Não aperte totalmente as porcas.



2. Alinhe os orifícios nos suportes com os orifícios no chassi.



3. Instale os parafusos (C) de 3/8-16x3-1/2 e as porcas (D) de 3/8.

4. Aperte todas as porcas.

OPERAÇÃO

Introdução



AVISO: Antes de operar o produto, você deve ler e entender o capítulo sobre segurança.

Para operar o produto

- Siga as instruções de operação no manual do operador do cortador.
 - Ao usar o sistema de coleta, opere o motor em velocidade máxima.
 - A fim de obter um bom resultado de corte e um bom resultado de coleta, mova o produto para frente em baixa velocidade.
 - Se a grama estiver alta e espessa, corte-a 2 vezes. O primeiro corte deve estar na altura de corte mais alta, e o segundo na altura correta.
- Use o lado esquerdo do cortador para cortar perto de objetos.
 - Não corte um gramado molhado. Grama molhada está mais sujeita a causar entupimentos no sistema de coleta.
 - Se o sistema de coleta não recolher a grama cortada, esvazie as bolsas de coleta. Se o problema persistir quando as bolsas de coleta estiverem vazias, verifique se o conduto do coletor está obstruído.
 - Se você bater em um objeto solto, pare o cortador e verifique se o sistema de coleta não foi danificado.
 - Não torça o conduto do coletor.
 - Não arraste o conduto do coletor ao longo das laterais de edificações ou outras superfícies rígidas.

Manutenção

Introdução



AVISO: Antes de executar qualquer trabalho de manutenção, você deve ler e entender o capítulo sobre segurança.

X = As instruções são fornecidas neste manual do operador.

O = Consulte o manual do motor para obter instruções.

Agendamento de manutenção para o operador

Cronograma de manutenção

* = As instruções não são fornecidas neste manual do operador.

| Manutenção | Manutenção diária | Intervalo de manutenção em horas | | |
|--|-------------------|----------------------------------|----|----|
| | Antes do uso | 5 | 25 | 50 |
| Verifique e limpe as bolsas de coleta. | X | X | | |
| Verifique se porcas e parafusos estão apertados. | X | | | |

| Manutenção | Manutenção diária | Intervalo de manutenção em horas | | |
|--|-------------------|----------------------------------|----|----|
| | Antes do uso | 5 | 25 | 50 |
| Verifique se o conduto do coletor está apertado. | X | | | |
| Limpe o produto. | | | | X |

Como limpar o produto

- Use uma escova para remover materiais e grama do produto.

- Se necessário, use uma lavadora de alta pressão e um agente de limpeza suave. Não ultrapasse a pressão de água de 1000 psi (68,9 bar).

Solução de problemas

Cronograma de solução de problemas

Se você não conseguir encontrar uma solução para seus problemas neste manual do operador, fale com seu agente de serviço da Husqvarna.

| Problema | Causa |
|--|--|
| Perda de fluxo de ar. | O conduto do coletor ou a entrada da tampa do coletor estão entupidos. |
| | O recipiente está cheio. |
| | A malha no coletor está entupida. |
| Vibrações ou ruídos incomuns. | Há um objeto sólido no coletor. |
| | Parafusos ou porcas soltos ou ausentes. |
| A tampa do coletor está difícil de fechar. | Objetos no coletor causam um bloqueio da tampa do coletor. |
| | Os parafusos da dobradiça da tampa do coletor estão muito apertados. |

Transporte, armazenamento e descarte

Transporte

- Não reboque o produto.
- O produto é pesado e pode causar ferimentos por esmagamento. Tome muito cuidado ao colocá-la em, ou a retirar de, um veículo ou trailer.
- Carregue o produto em marcha à ré em rampas aprovadas de um ângulo de funcionamento máximo de 10°. Não levante o produto.
- Use um trailer aprovado para o transporte do produto.
- Certifique-se de ter conhecimento das normas locais de trânsito antes de transportar o produto em um reboque ou em estradas.

- Trave o produto com dispositivos aprovados, como cintas. Use pontos de fixação no produto ou nas respectivas áreas aplicáveis do chassi. O freio de estacionamento não é suficiente para travar o produto durante o transporte.

Armazenagem

Prepare o produto para armazenamento no final da temporada, sem deixá-lo armazenado por mais de 30 dias. Se você mantiver o combustível no reservatório de combustível por 30 dias ou mais, partículas aderentes podem causar bloqueio no carburador. Isso tem um efeito negativo na função do motor.

Para evitar partículas aderentes durante o armazenamento, adicione um estabilizador. Se for usada gasolina alquilada, o estabilizador não é necessário. Se usar gasolina padrão, não mude para gasolina alquilada. Isso pode fazer com que as peças de borracha sensíveis fiquem duras. Adicione o estabilizador ao combustível no reservatório ou no recipiente usado para armazenamento. Sempre use as relações de mistura fornecidas pelo fabricante. Adicione o estabilizador e opere o motor por pelo menos 10 minutos, até que o combustível flua para o carburador.



AVISO: Não mantenha o produto com combustível no tanque em um ambiente fechado ou em locais com fluxo de ar ruim. Há risco de incêndio se os vapores de combustível se aproximarem de chamas abertas, faíscas ou luzes piloto, por exemplo, caldeiras, reservatórios de água quente e secadores de roupas.



AVISO: Remova a grama, as folhas e outros materiais inflamáveis do produto para diminuir o risco de incêndio. Deixe o produto esfriar antes de armazená-lo.

- Limpe o produto, consulte *Como limpar o produto* na página 190.
- Remova os materiais indesejados do ventilador de resfriamento.
- Repare os danos à pintura para evitar corrosão.
- Examine o produto quanto a peças desgastadas ou danificadas e aperte porcas e parafusos soltos.
- Remova a bateria. Limpe-o, carregue-o e mantenha-o resfriado durante o armazenamento.
- Substitua o óleo do motor e descarte o óleo usado.
- Esvazie o reservatório de combustível. Dê partida no motor e opere-o até que não haja combustível restante no carburador.

Observação: Não esvazie o reservatório de combustível e o carburador se um estabilizador tiver sido adicionado.

- Remova os bujões e coloque cerca de uma colher de sopa de óleo do motor em cada cilindro. Gire manualmente o eixo do motor para aplicar o óleo e coloque os bujões de volta.
- Lubrifique todos os bicos, juntas e eixos de lubrificação.
- Mantenha o produto em uma área limpa e seca e coloque uma tampa para maior proteção.

CUPRINS

| | | | |
|-------------------|-----|---|-----|
| Introducere..... | 192 | Întreținerea..... | 198 |
| Siguranță..... | 193 | Depanarea..... | 199 |
| Instalare..... | 196 | Transportul, depozitarea și eliminarea..... | 199 |
| Funcționarea..... | 198 | | |

Introducere

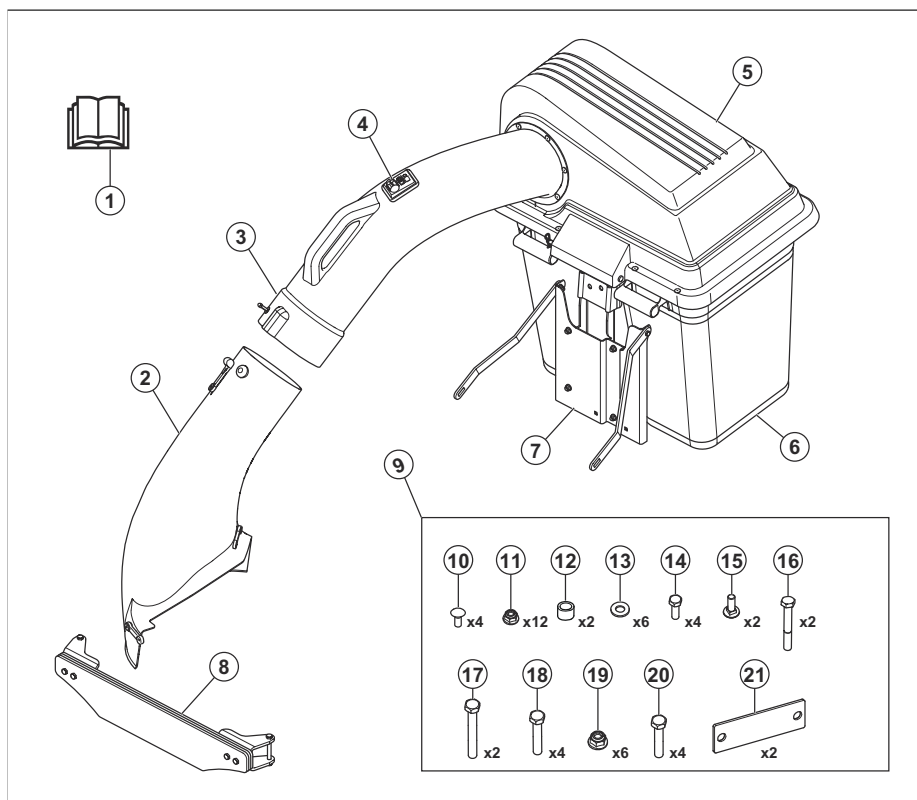
Descrierea produsului

Acest produs este un sistem de colectare a ierbiilor. Iarba colectată poate fi folosită drept compost pentru gazon sau straturi de plante sau poate fi eliminată ca deșeu de grădină.

Destinația de utilizare

Acest produs este fabricat pentru a colecta resturile de iarbă în timpul operației de cosire pentru a oferi gazonului un aspect îngrijit. Nu utilizați produsul pentru alte lucrări.

Prezentarea generală a produsului



1. Manualul operatorului
2. Tub de evacuare laterală
3. Jgheab colector
4. Indicator sac plin
5. Capotă
6. Sac

7. Consolă colector
8. Greutate frontală
9. Geantă pentru piese
10. Bolț, 5/16-18x3/4
11. Piuliță, 5/16
12. Distanțier

13. Țaibă
14. Șurub hexagonal, 5/16-18x1
15. Bolț, 5/16-18x1-1/4
16. Șurub hexagonal, 5/16-18x2-1/4
17. Șurub hexagonal, 3/8-16x3-1/2
18. Șurub hexagonal, 3/8-16x2-1/2
19. Piuliță, 3/8
20. Șurub hexagonal, 3/8-16x2-1/4
21. Placă de ranforsare

- produsul este reparat necorespunzător.
- produsul este reparat cu piese care nu provin de la producător sau care nu sunt aprobate de acesta.
- produsul are un accesoriu care nu provine de la producător sau care nu este aprobat de acesta.
- produsul nu este reparat la un centru de service omologat sau de o autoritate omologată.

Deteriorarea produsului

Nu suntem responsabili pentru deteriorarea produsului dacă:

Siguranță

Definiții privind siguranța

Avertismentele, atenționările și notele sunt utilizate pentru a desemna părți foarte importante din manual.



AVERTISMENT: Se utilizează dacă există risc de vătămare sau de deces pentru operator sau pentru trecători, în cazul în care instrucțiunile din manual nu sunt respectate.



ATENȚIE: Se utilizează dacă există un risc de deteriorare a produsului, a altor materiale sau a zonelor învecinate, dacă instrucțiunile din manual nu sunt respectate.

Nota: Se utilizează pentru a furniza mai multe informații care sunt necesare într-o situație dată.

Instrucțiuni generale de siguranță



AVERTISMENT: Înainte de a utiliza produsul, citiți instrucțiunile de avertizare de mai jos



AVERTISMENT: Acest produs poate amputa mâinile și picioarele și poate arunca obiecte. Nerespectarea următoarelor instrucțiuni referitoare la siguranță poate cauza răni grave sau chiar moartea.



AVERTISMENT: Nerespectarea practicilor de exploatare prudentă poate conduce la vătămări corporale periculoase ale operatorului sau ale altor persoane. Proprietarul trebuie să înțeleagă aceste instrucțiuni și trebuie să permită numai persoanelor autorizate,

care înțeleg aceste instrucțiuni, să opereze mașina de tuns gazonul. Orice persoană care operează mașina de tuns gazonul trebuie să fie sănătoasă din punct de vedere fizic și psihic și nu trebuie să se afle sub influența substanțelor care afectează capacitatea de gândire.

- Citiți, înțelegeți și urmați instrucțiunile și avertismentele din acest document, din manualul de utilizare și de pe produs, motor și accesorii.
- Permiteți utilizarea produsului numai de către operatori responsabili, instruiți, familiarizați cu instrucțiunile și capabili fizic.
- Asigurați-vă că informați o persoană care urmează să opereze produsul în cazul în care se produce o vătămare sau un accident.
- Nu transportați pasageri și nu permiteți accesul altor persoane în apropiere.
- Nu utilizați produsul dacă sunteți sub influența alcoolului sau a medicamentelor.
- Respectați recomandarea producătorului pentru greutatea sau contragreutățile pentru roți.
- Învățați să utilizați în siguranță produsul și comenzile acestuia și să opriți rapid produsul.
- Învățați să recunoașteți etichetele de avertizare.
- Păstrați produsul curat pentru a menține semnele și etichetele lizibile.
- Rețineți că operatorul poartă responsabilitatea privind orice accidente care implică alte persoane sau bunurile lor.
- Utilizați produsul numai ziua sau în locuri bine iluminate. Evitați apropierea produsului de gropi sau alte neregularități ale terenului. Acordați atenție potențialelor riscuri.
- Nu permiteți copiilor sau altor persoane neautorizate pentru operarea acestui produs să îl utilizeze sau să efectueze lucrări de service asupra acestuia. Este posibil ca reglementările locale să limiteze vârsta operatorului.
- Asigurați-vă că nu există nicio persoană în apropierea produsului atunci când porniți

motorul, cuplați transmisia sau începeți deplasarea produsului.

- Acordați atenție traficului atunci când tundeți iarba în apropierea unei străzi sau traversați o stradă.
- Nu utilizați produsul dacă sunteți obosit, dacă ați consumat alcool, drogul, medicamente sau alte substanțe care v-ar putea afecta vederea, vigilența, judecata sau coordonarea.
- Parcați întotdeauna produsul pe o suprafață dreaptă, cu motorul oprit.
- Nu modificați și nu instalați echipamente neconforme standardelor la unitate fără acordul producătorului. Modificările la unitate pot cauza operații nesigure sau pot deteriora unitatea.

Instrucțiuni de siguranță referitoare la copii



AVERTISMENT: Copiii pot fi răniți grav sau chiar mortal de către acest produs. Înainte de a utiliza produsul, citiți instrucțiunile de avertizare de mai jos. Țineți copiii la distanță.

- Se pot produce accidente tragice dacă operatorul nu este atent în prezența copiilor. Copiii sunt atrași adesea de produs și de activitatea de tuns iarba. Nu presupuneți niciodată că un copil va rămâne în locul în care l-ați văzut ultima dată.
- Copiii nu trebuie lăsați să pătrundă în zona de operare și trebuie să fie supravegheați de către un adult responsabil, altul decât operatorul.
- Fiți vigilenți și opriți produsul dacă un copil pătrunde în zona de lucru. Procedați cu deosebită atenție în apropierea colțurilor, tufșurilor, copacilor sau a altor obiecte care vă limitează câmpul vizual.
- Aveți foarte mare grijă când vă apropiați de unghiuri moarte, tufșuri, copaci sau alte obiecte care ar putea să vă împiedice să vedeți un copil.
- Înainte și în timp ce deplasați produsul în marșarier, priviți în spate și aveți grijă la copii.
- Nu permiteți copiilor să utilizeze produsul.
- Academia Americană de Pediatrie recomandă ca vârsta copiilor să fie de minimum 16 ani pentru a putea utiliza o mașină de tuns gazonul cu operator ambarcat.
- Nu transportați copii, nici chiar atunci când cuțitele sunt dezactivate. Copiii ar putea cădea și s-ar putea răni grav sau ar putea împiedica funcționarea sigură a produsului. Copiii care au fost plimbați altădată cu mașina ar putea apărea brusc în zona în care se taie iarba, pentru a fi plimbați din nou, cu riscul de a fi călcați de produsul care se deplasează înainte sau în marșarier.

Instrucțiuni de siguranță pentru utilizare



AVERTISMENT: Înainte de a utiliza produsul, citiți instrucțiunile de avertizare de mai jos.

- Nu utilizați cositoarea dacă colectorul nu este instalat complet.
- Nu utilizați cositoarea cu sistemul de colectare dacă nu sunt instalate greutatea frontale.
- Asigurați-vă că toate componentele mobile se opresc înainte de a deschide sistemul de colectare.
- Asigurați-vă că toate componentele mobile se opresc înainte de a îndepărta iarba blocată din sistemul de colectare.
- Îndepărtați din zona de lucru obiectele precum pietrele, jucăriile, cablurile etc. care pot fi prinse de cuțite și proiectate.
- Permiteți numai adulților responsabili să utilizeze produsul.
- Asigurați-vă că în zonă nu se află alte persoane sau animale de companie înainte de a începe lucrul. Opriți produsul dacă cineva pătrunde în zona de lucru.
- Reduceți viteza înainte de rotire.
- Reduceți viteza înainte de a efectua un viraj.
- Dezactivați lamele atunci când produsul nu cosește.
- Închideți carcasa colectorului, înainte de a porni produsul.
- Dezactivați lamele cositoarei atunci când deplasați produsul prin zone unde există obiecte aruncate și posibil periculoase.
- Nu încercați să colectați obiecte care pot fi aruncate din sistemul de colectare.
- Când utilizați produsul, purtați ochelari de protecție. Obiectele proiectate pot provoca leziuni la nivelul ochilor.
- Asigurați-vă că sacii de colectare sunt goi după fiecare utilizare și înainte de depozitare. Iarba rămasă în sacii de colectare poate duce la combustie spontană și poate declanșa un incendiu.
- Statisticile arată că persoanele cu vârsta de peste 60 de ani sunt implicate într-un procent mare de cazuri de răniri legate de tractoarele de tuns iarba. Acești operatori trebuie să-și evalueze capacitatea de a opera mașina în siguranță, astfel încât să se protejeze pe ei înșiși și pe ceilalți de vătămări corporale.

Instrucțiuni de siguranță înainte de instalarea sistemului de colectare



AVERTISMENT: Înainte de a utiliza produsul, citiți instrucțiunile de avertizare de mai jos.

- Parcați pe o suprafață plată.
- Activați frâna de parcare.
- Puneți manetele de comandă în poziția neutră.
- Oprii motorul și scoateți cheia de contact.
- Asigurați-vă că toate componentele mobile se opresc înainte de a instala sistemul de colectare.

Instrucțiuni de siguranță pentru utilizarea pe pante



AVERTISMENT: Înainte de a utiliza produsul, citiți instrucțiunile de avertizare de mai jos.

Pantele reprezintă un factor important legat de accidente. Utilizarea pe pante necesită atenție sporită.

- Deplasați-vă în direcția recomandată de producător când vă aflați pe pante. Procedeți cu atenție când operați în apropierea unui povârniș.
- Evitați tunderea gazonului ud. Pneurile își pot pierde aderența.
- Nu utilizați produsul în niciun caz când tracțiunea, direcția sau stabilitatea sunt nesigure. Pneurile pot să alunece chiar dacă roțile sunt oprite.
- Țineți întotdeauna produsul în viteză când coborâți o pantă. Nu coborâți pantele cu transmisia necuplată.
- Evitați pornirea și oprirea pe pante. Evitați să schimbați brusc viteza sau direcția. Luați virajele încet și treptat.
- Dacă pneurile pierd aderență, dezactivați lamele și deplasați-vă încet în josul pantei.
- Aveți foarte mare grijă când operați produsul cu un colector de iarbă sau cu alte accesorii. Acestea pot afecta stabilitatea produsului.
- Tunderea gazonului pe pante sporește riscul de pierdere a controlului asupra produsului și de răsturnare a acestuia. Acest lucru poate cauza vătămări corporale sau chiar decesul. Trebuie să procedați cu atenție atunci când tundeți gazonul pe toate tipurile de pante. Dacă nu puteți urca panta în marșarier sau dacă nu vă simțiți în siguranță făcând acest lucru, nu tundeți iarba pe pante.
- Îndepărtați pietrele, crengile și alte obstacole.
- Tundeți iarba de pe pante în sus și în jos, nu dintr-o parte în alta.
- Nu utilizați produsul pe pante cu înclinație mai mare de 10°.
- Deplasați-vă lent și lin pe pante.
- Identificați și evitați să treceți peste șanțuri, gropi și denivelări. Pe teren accidentat, riscul de răsturnare a produsului crește. În iarba înaltă se pot ascunde obstacole.
- Nu tundeți iarba în imediată apropiere a marginilor, șanțurilor sau terasamentelor. Păstrați o distanță de cel puțin lățimea utilajului față de aceste pericole. Produsul se poate răsturna

brusc dacă o roată trece peste marginea unei pante abrupte sau a unui șanț sau dacă marginea respectivă cedează.

Instrucțiuni de siguranță pentru întreținere



AVERTISMENT: Înainte de a utiliza produsul, citiți instrucțiunile de avertizare de mai jos.



AVERTISMENT: Produsul este greu și poate provoca răni sau deteriorarea bunurilor sau zonei învecinate. Nu realizați operațiile de întreținere a motorului sau capului tăietor dacă nu sunt îndeplinite aceste condiții:

- Motorul este oprit.
- Produsul este parcat pe o suprafață dreaptă.
- Frâna de parcare este aplicată.
- Cheia de contact este în poziția stop și scoasă.
- Cuștile sunt decuplate.
- Toate componentele mobile s-au oprit.
- Cablurile de aprindere sunt deconectate de la bujii.



AVERTISMENT: Lichidul care este evacuat sub presiune poate avea suficientă forță pentru a penetra pielea și a cauza vătămări grave. Dacă lichidul este injectat în piele, apelați imediat la îngrijire medicală. Mențineți corpul și mâinile la distanță de orificiile sau duzele știftului care evacuează lichid la presiune înaltă. Dacă are loc o scurgere, apelați imediat la un tehnician instruit pentru operațiuni de service asupra produsului.



AVERTISMENT: Gazele de eșapament de la motor conțin monoxid de carbon, care este un gaz inodor, toxic și foarte periculos. Nu utilizați produsul în spații închise sau în spații în care nu există un flux de aer suficient.

- Păstrați produsul în bună stare de funcționare. Înlocuiți componentele uzate sau deteriorate. Procedeți cu atenție când realizați operații de service la lame. Înfășurați lamele sau purtați mănuși. Înlocuiți cuștile deteriorate. Nu reparați sau modificați lama/lamele. Dacă există, deconectați firele bujiilor incandescente și cablul negativ al bateriei înainte de a efectua orice reparații.

Pentru un nivel optim de performanță și siguranță, efectuați regulat lucrările de întreținere a produsului, conform programului de întreținere. Consultați *Program de întreținere la pagina 198*.

- Electrocutarea poate cauza vătămări corporale. Nu atingeți cablurile atunci când motorul este pornit. Nu folosiți degetele pentru a testa funcționarea sistemului de aprindere.
- Lăsați produsul să se răcească înainte de a efectua operații de întreținere lângă motor.
- Cuțitele sunt ascuțite și pot provoca cu ușurință tăieturi. Înfășurați o bandă de protecție în jurul cuțitelor sau purtați mănuși de protecție atunci când efectuați lucrări asupra cuțitelor.

- Nu rotiți motorul dacă bujia sau cablul de alimentare a aprinderii au fost demontate.
- Asigurați-vă că toate piulițele și șuruburile sunt strânse corect și că echipamentul se află în stare bună.
- Nu modificați regulatoarele. Dacă turația motorului este prea mare, componentele produsului se pot deteriora.
- Utilizarea produsului este aprobată numai cu echipamentul furnizat sau recomandat de producător.
- Pentru reparații, utilizați numai piese originale. Utilizarea altor piese determină anularea garanției.

Instalare

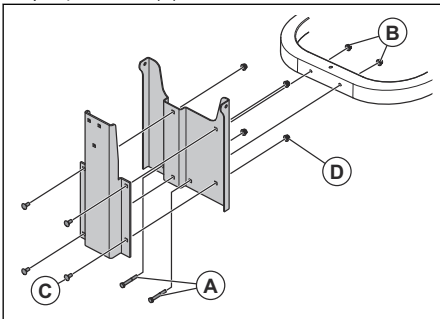
Introducere



AVERTISMENT: Citiți și înțelegeți capitolul referitor la siguranță înainte de instalarea produsului.

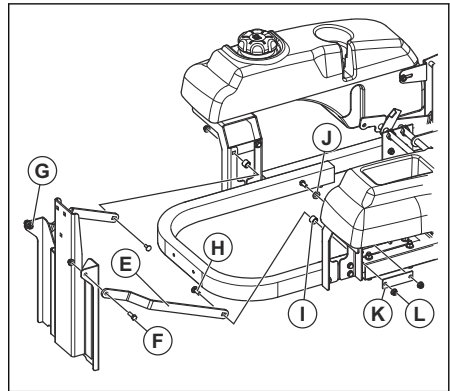
Instalarea consolei colectorului

1. Instalați consola de susținere pe cadru cu 2 șuruburi hexagonale de 5/16-18x2-1/4 (A) și 2 piulițe de 5/16 (B).



2. Instalați cadrul de susținere pe consolă cu 4 bolțuri de 5/16-18x3/4 (C) și 4 piulițe de 5/16 (D).

3. Fixați curelele de suport pe consola de susținere.

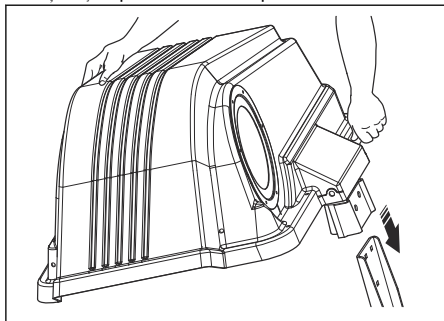


4. Instalați curelele (E) pe consola de susținere cu 2 bolțuri de 5/16-18x1-1/4 (F) și 2 piulițe de 5/16 (G).
5. Fixați curelele pe consolele rezervorului cu 4 șuruburi hexagonale de 5/16-18x1 (H), 2 distanțiere (I), 2 șaibe (J), 2 plăci de ranforsare (K) și 4 piulițe de 5/16 (L).

Instalarea capotei colectorului

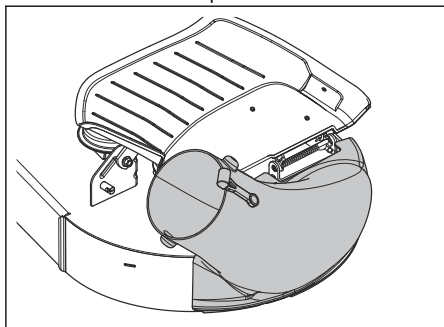
1. Instalați consola colectorului. Consultați *Instalarea consolei colectorului la pagina 196*.

2. Așezați capota colectorului pe consolă.



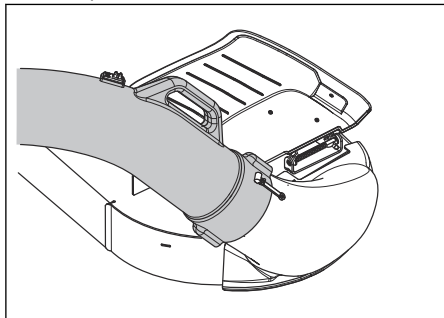
Instalarea tubului de evacuare laterală

1. Ridicați capacul lateral de evacuare.
2. Așezați tubul de evacuare laterală în jurul consolei capacului.
3. Prindeți dispozitivele de blocare ale tubului de evacuare laterală de platforma cositoarei.



Instalarea tubului colectorului

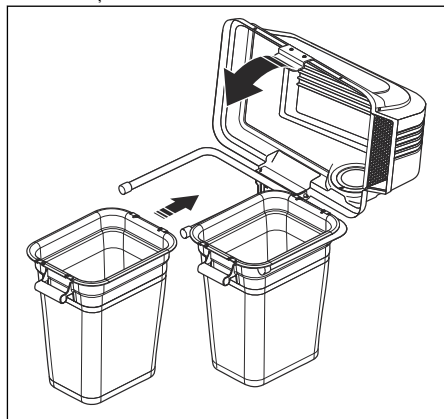
1. Așezați tubul colectorului pe tubul de evacuare laterală.
2. Prindeți curea.



3. Introduceți tubul colectorului în orificiul din carcasa colectorului.

Fixarea sacilor

1. Înclinați capota colectorului.
2. Așezați 2 saci pe cadrul de susținere.
3. Închideți carcasa colectorului.

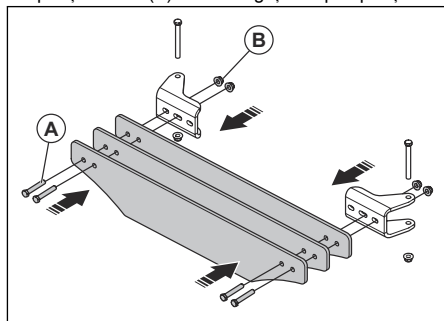


Instalarea greutății frontale

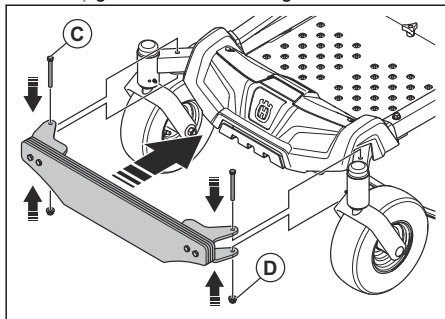


AVERTISMENT: Nu utilizați sistemul de colectare fără greutatea frontală.

1. Instalați plăcile cu greutatea frontală pe console cu 4 șuruburi hexagonale de 3/8-16x2-1/4 (A) și 4 piulițe de 3/8 (B). Nu strângeți complet piulițele.



2. Aliniați găurile din console cu găurile din cadru.



3. Instalați șuruburile de 3/8-16x3-1/2 (C) și piulițele de 3/8 (D).

4. Strângeți toate piulițele.

Funcționarea

Introducere



AVERTISMENT: Înainte de a utiliza produsul, trebuie să citiți și să înțelegeți capitolul privind siguranța.

Utilizarea produsului

- Respectați instrucțiunile de utilizare din manualul operatorului pentru cositoare.
- Turați motorul la maxim atunci când utilizați sistemul de colectare.
- Deplasați produsul înainte la viteză redusă, pentru a obține un rezultat bun de tăiere și de colectare.
- Tăiați iarba de 2 ori dacă aceasta este înaltă și densă. Prima tăiere trebuie efectuată la cea mai mare înălțime de tăiere, iar a doua la înălțimea corectă.

- Utilizați latura din stânga a cositoarei pentru a tăia pe lângă obiecte.
- Nu tundeți gazonul ud. Iarba umedă are mai multe șanse de a înfunda sistemul de colectare.
- Goliți sacii de colectare dacă sistemul de colectare nu colectează iarba tăiată. Asigurați-vă că tubul colectorului nu este înfundat dacă problema persistă atunci când sacii de colectare sunt goi.
- Oprii cositoarea și asigurați-vă că sistemul de colectare nu este deteriorat dacă a lovit un obiect.
- Nu permiteți răscucirea tubului colector.
- Nu trageți tubul colectorului de-a lungul laturilor clădirilor sau a altor suprafețe dure.

Întreținerea

Introducere



AVERTISMENT: Înainte de a efectua orice lucrări de întreținere, citiți și înțelegeți capitolul privind siguranța.

X = Instrucțiunile sunt incluse în acest manual al operatorului.

O = Pentru instrucțiuni, consultați manualul motorului.

Program de întreținere pentru operator

Program de întreținere

* = Instrucțiunile nu sunt incluse în acest manual al operatorului.

| Întreținerea | Întreținerea zilnică | Interval de întreținere în ore | | |
|--|----------------------|--------------------------------|----|----|
| | Înainte de utilizare | 5 | 25 | 50 |
| Verificați și curățați sacii de colectare. | X | X | | |
| Verificați dacă piulițele și șuruburile sunt strânse bine. | X | | | |

| Întreținerea | Întreținerea zilnică | Interval de întreținere în ore | | |
|---|----------------------|--------------------------------|----|----|
| | Înainte de utilizare | 5 | 25 | 50 |
| Asigurați-vă că tubul colectorului este strâns. | X | | | |
| Curățați produsul. | | | | X |

Curățarea produsului

- Utilizați o perie pentru a îndepărta materialul nedorit și iarba de pe produs.
- Dacă este necesar, utilizați un spălător cu presiune ridicată și un agent de curățare slab. Nu depășiți presiunea apei de 1000 psi (68,9 bar).

Depanarea

Programul de remediere a defecțiunilor

Dacă nu puteți găsi o soluție pentru problemele dvs. în acest manual al operatorului, contactați agentul de service Husqvarna.

| Problemă | Cauză |
|---|--|
| Pierderea debitului de aer. | Tubul colectorului sau orificiul de admisie din carcasa colectorului sunt înfundate. |
| | Recipientul este plin. |
| | Pânza din colector este înfundată. |
| Vibrații sau zgomote neobișnuite. | În colector se află un obiect solid. |
| | Șuruburi sau piulițe slăbite sau lipsă. |
| Carcasa colectorului este greu de închis. | Obiectele din colector cauzează blocarea carcasei colectorului. |
| | Șuruburile articulației carcasei colectorului sunt prea strânse. |

Transportul, depozitarea și eliminarea

Transportul

- Nu trageți produsul.
- Produsul este greu și poate cauza vătămări prin strivire. Procedați cu atenție atunci când îl încărcați sau îl descărcați de pe un vehicul sau o remorcă.
- Încărcați produsul în marșarier pe rampe omologate la un unghi maxim de operare de 10°. Nu ridicați produsul.
- Utilizați o remorcă aprobată pentru transportul produsului.
- Familiarizați-vă cu regulile de circulație locale privind transportul produsului într-o remorcă sau conducerea acestuia pe drumuri publice.
- Blocați produsul cu dispozitivele aprobate, de exemplu cu curele. Utilizați punctele de ancorare de pe produs sau din zonele aplicabile ale cadrului. Frâna de parcare nu este suficientă pentru blocarea produsului în timpul transportului.

Depozitarea

Pregătiți produsul pentru depozitare la final de sezon și înainte de a-l depozita pentru mai mult de 30 de zile. Dacă lăsați carburant în rezervorul de carburant pentru 30 de zile sau mai mult, particulele vâscoase pot cauza blocaje în carburator. Acest lucru are un efect negativ asupra funcționării motorului.

Pentru a preveni formarea particulelor vâscoase în timpul depozitării, adăugați un stabilizator. Dacă utilizați benzină alchilată, stabilizatorul nu este necesar. Dacă utilizați benzină standard,

nu treceți la benzină alchilată. Aceasta poate cauza întărirea unor piese sensibile din cauciuc. Adăugați stabilizator în carburantul din rezervor sau în recipientul utilizat pentru depozitare. Utilizați întotdeauna raporturile de amestecare indicate de producător. Adăugați stabilizatorul și lăsați motorul să funcționeze cel puțin 10 minute, până când combustibilul curge în carburator.



AVERTISMENT: Nu țineți produsul cu carburant în rezervor în interior sau în zone cu o slabă circulație a aerului. Există risc de incendiu dacă vaporii de carburant ajung în apropiere de flăcări, scântei sau flăcări-pilot, precum, de exemplu, cele din boilere, rezervoare de apă caldă și uscătoare de rufe.



AVERTISMENT: Îndepărtați de pe produs iarba, frunzele și alte materiale inflamabile pentru a reduce riscul de incendiu. Lăsați produsul să se răcească înainte de a îl depozita.

- Curățați produsul, consultați *Curățarea produsului la pagina 199*.
- Îndepărtați materialele nedorite de la ventilator.
- Reparați zonele în care vopseaua este deteriorată pentru a preveni coroziunea.
- Verificați produsul pentru a detecta eventualele componente uzate sau deteriorate și strângeți șuruburile și piulițele slăbite.
- Îndepărtați bateria. Curățați-o, încărcați-o și păstrați-o la răcoare pe durata depozitării.
- Înlocuiți uleiul de motor și aruncați la deșeurile uleiul uzat.
- Goliți rezervorul de carburant. Porniți motorul și lăsați-l să funcționeze până ce nu mai există carburant în carburator.

Nota: Nu goliți rezervorul de carburant și carburatorul dacă ați adăugat un stabilizator.

- Scoateți bușoanele și adăugați câte o lingură de ulei de motor în fiecare cilindru. Rotiți manual arborele motorului pentru a aplica uleiul și puneți la loc bușoanele.
- Lubrifiați toate niplurile de ungere, articulațiile și punțile.
- Păstrați produsul într-o zonă curată și uscată și acoperiți-l pentru o protecție sporită.

Содержание

| | | | |
|-------------------|-----|---|-----|
| Введение..... | 201 | Техническое обслуживание..... | 208 |
| Безопасность..... | 202 | Поиск и устранение неисправностей..... | 208 |
| Установка..... | 206 | Транспортировка, хранение и утилизация..... | 209 |
| Эксплуатация..... | 207 | | |

Введение

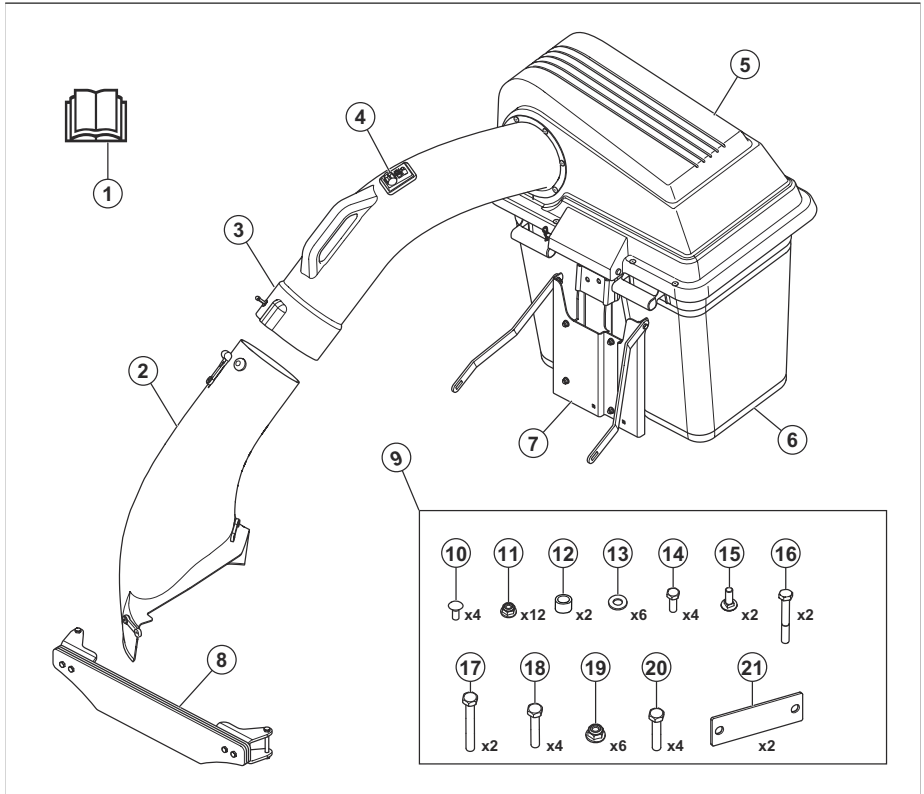
Описание изделия

Данное изделие представляет собой систему сбора травы. Собранную траву можно использовать в качестве компоста для газона или грядки или утилизировать как садовые отходы.

Использование по назначению

Изделие предназначено для сбора срезанной травы во время кошения, чтобы газон выглядел аккуратно и ухожено. Запрещается использовать изделие в других целях.

Обзор изделия



- | | |
|--------------------------------|--|
| 1. Руководство по эксплуатации | 7. Кронштейн травосборника |
| 2. Желоб бокового выброса | 8. Передний балласт |
| 3. Желоб травосборника | 9. Комплект креплений |
| 4. Индикатор заполнения мешка | 10. Болт с квадратным подголовком, 5/16-18x3/4 |
| 5. Крышка | 11. Гайка, 5/16 |
| 6. Мешок | 12. Проставка |

13. Шайба
14. Болт с шестигранной головкой, 5/16-18x1
15. Болт с квадратным подголовком, 5/16-18x1-1/4
16. Болт с шестигранной головкой, 5/16-18x2-1/4
17. Болт с шестигранной головкой, 3/8-16x3-1/2
18. Болт с шестигранной головкой, 3/8-16x2-1/2
19. Гайка, 3/8
20. Болт с шестигранной головкой, 3/8-16x2-1/4
21. Усиливающая пластина

- ненадлежащий ремонт изделия;
- использование для ремонта изделия неоригинальных деталей или деталей, не одобренных производителем;
- использование неоригинальных дополнительных принадлежностей или принадлежностей, не одобренных производителем;
- ремонт изделия в неавторизованном сервисном центре или неквалифицированным специалистом.

Повреждение изделия

Мы не несем ответственности за повреждение изделия в следующих случаях:

Безопасность

Инструкции по технике безопасности

Предупреждения, предостережения и примечания используются для выделения особо важных пунктов руководства.



ПРЕДУПРЕЖДЕНИЕ:

Используется, когда несоблюдение инструкций руководства может привести к травмам или смерти оператора или находящихся рядом посторонних лиц.



ВНИМАНИЕ: Используется, когда несоблюдение инструкций руководства может привести к повреждению изделия, других материалов или прилегающей территории.

Примечание: Используется для предоставления дополнительных сведений о конкретной ситуации.

Общие инструкции по технике безопасности



ПРЕДУПРЕЖДЕНИЕ:

Прежде чем приступить к эксплуатации изделия, в обязательном порядке прочитайте следующие инструкции по технике безопасности.



ПРЕДУПРЕЖДЕНИЕ:

Данное изделие может отсечь руки и ноги, а также отбрасывать предметы. Несоблюдение приведенных ниже

правил техники безопасности может повлечь за собой серьезные травмы.



ПРЕДУПРЕЖДЕНИЕ:

Несоблюдение правил техники безопасности может привести к опасным травмам оператора или посторонних лиц. Владелец должен понимать настоящие инструкции и допускать к работе с изделием только обученных лиц после изучения ими правил эксплуатации газонокосилки. Оператор, управляющий газонокосилкой, должен обладать хорошим здоровьем и быть психически уравновешенным. Работать с газонокосилкой под воздействием веществ, изменяющих сознание, запрещается.

- Внимательно прочитайте, изучите и соблюдайте инструкции и предупреждения, содержащиеся в данном документе, руководстве по эксплуатации, а также на наклейках на изделии, двигателе и принадлежностях.
- К работе с изделием допускаются только операторы с надлежащей физической подготовкой, которые прошли соответствующий инструктаж и знакомы с правилами эксплуатации.
- Обязательно сообщите кому-либо о том, что вы будете работать с изделием, чтобы в случае получения травмы или в аварийной ситуации вам оказали помощь.
- Не перевозите пассажиров и не допускайте приближения посторонних лиц.
- Эксплуатация изделия под воздействием спиртного, а также лекарственных препаратов или наркотических веществ запрещена.

- При использовании колесных грузов и противовесов следуйте рекомендациям производителя.
- Изучите инструкции по безопасной эксплуатации изделия и использованию органов управления, а также научитесь быстро останавливать изделие.
- Научитесь разбираться в значении наклеек по технике безопасности.
- Содержите изделие в чистоте, чтобы знаки и наклейки были легко читаемыми.
- Помните: ответственность за несчастные случаи, угрожающие другим людям или их имуществу, несет оператор изделия.
- Используйте изделие только в дневное время или при хорошем освещении. Держите изделие на безопасном расстоянии от ям и других неровностей. Учитывайте другие возможные опасности.
- Не допускайте к работе с изделием и его обслуживанию детей и взрослых, не имеющих соответствующей подготовки. Допустимый возраст пользователя может быть ограничен местным законодательством.
- Убедитесь, что во время запуска двигателя, включения привода или начала движения рядом с изделием нет посторонних.
- Следите за движением транспорта при кошении рядом с дорогой или при перемещении через дорогу.
- Запрещается работать с изделием, если вы устали, находитесь под воздействием алкоголя, наркотических или лекарственных средств, поскольку они могут влиять на зрение, реакцию, координацию или оценку действительности.
- Всегда паркуйте изделие на ровной поверхности и выключайте двигатель.
- Не модифицируйте и не устанавливайте нестандартное оборудование на изделие без одобрения производителя. Модификация изделия может привести к небезопасной работе или поломке изделия.

Инструкции по технике безопасности в отношении детей



ПРЕДУПРЕЖДЕНИЕ:

Данное изделие может нанести детям серьезные или смертельные травмы. В обязательном порядке прочитайте следующие инструкции по технике безопасности, прежде чем приступать к эксплуатации изделия. Дети должны находиться на безопасном расстоянии от изделия.

- Если оператор не заметит присутствия детей, возможны несчастные случаи с трагическим исходом. У детей часто вызывают интерес как само изделие, так и процесс кошения травы. Никогда не считайте, что дети будут

оставаться там, где вы последний раз видели их.

- Дети должны находиться вне рабочей зоны и под присмотром еще одного ответственного взрослого (не оператора).
- Будьте начеку и незамедлительно выключите изделие, если дети войдут в рабочую зону. Будьте особенно осторожны возле поворотов, кустов, деревьев или других предметов, которые затрудняют обзор.
- Будьте чрезвычайно осторожны при приближении к закрытым углам, кустарникам, деревьям или другим объектам, которые могут помешать вам увидеть ребенка.
- Перед началом и во время движения задним ходом посмотрите назад и проверьте, нет ли поблизости маленьких детей.
- Не позволяйте детям управлять изделием.
- Согласно рекомендациям Американской академии педиатрии, к работе с газонокосилкой-райдером могут допускаться лица старше 16 лет.
- Не катайте детей на машине даже при выключенных ножах. Они могут упасть с нее и получить серьезные травмы или создать угрозу для безопасной эксплуатации изделия. Дети, которые ранее катались на машине, могут внезапно появиться в рабочей зоне, чтобы прокатиться на ней еще раз, и попасть под машину при ее движении передним или задним ходом.

Инструкции по технике безопасности во время эксплуатации



ПРЕДУПРЕЖДЕНИЕ:

Обязательно прочитайте следующие инструкции по технике безопасности, прежде чем приступать к эксплуатации изделия.

- Не используйте газонокосилку, если травосборник установлен не полностью.
- Не используйте газонокосилку с системой сбора травы, если передние балласты не установлены.
- Перед тем как открывать систему сбора травы убедитесь, что все движущиеся части остановлены.
- Перед удалением скопившейся травы из системы сбора травы убедитесь, что все движущиеся части остановлены.
- Уберите из рабочей зоны предметы, которые могут быть отброшены ножами, например камни, игрушки, провода и т. д.
- К работе с изделием допускаются только ответственные взрослые.
- Перед началом кошения убедитесь в отсутствии посторонних лиц или животных в

рабочей зоне. При появлении посторонних лиц или животных в рабочей зоне немедленно остановите изделие.

- Перед поворотом снизьте скорость.
- Перед поворотом за угол снизьте скорость.
- Отключайте ножи, когда изделие не выполняет кошение.
- Прежде чем включить изделие, закройте крышку травосборника.
- Отключайте ножи газонокосилки, когда перемещаете изделие по участкам, где существует опасность отбрасывания предметов.
- Не пытайтесь собирать предметы, которые могут быть выброшены из системы сбора.
- При работе с изделием всегда используйте средства защиты глаз. Отбрасываемые предметы могут стать причиной травмы глаз.
- После каждого использования и перед помещением на хранение в обязательном порядке опустошайте мешки для сбора травы. Оставленная в мешках трава может самовоспламениться и стать причиной пожара.
- По имеющимся данным, большая часть несчастных случаев при эксплуатации газонокосилок-райдеров происходит с операторами в возрасте 60 лет и старше. Таким операторам следует оценить свою способность безопасно управлять газонокосилкой-райдером во избежание причинения травм себе или другим лицам.

Инструкции по технике безопасности перед установкой системы сбора травы



ПРЕДУПРЕЖДЕНИЕ:

Обязательно прочитайте следующие инструкции по технике безопасности, прежде чем приступать к эксплуатации изделия.

- Припаркуйтесь на ровном участке.
- Включите стояночный тормоз.
- Переведите рычаги управления в нейтральное положение.
- Заглушите двигатель и извлеките ключ зажигания.
- Перед установкой системы сбора травы убедитесь, что все движущиеся части остановлены.

Инструкции по технике безопасности при эксплуатации на склоне



ПРЕДУПРЕЖДЕНИЕ: В обязательном порядке прочитайте следующие инструкции по технике безопасности, прежде чем приступать к эксплуатации изделия.

Склоны являются основным фактором, приводящим к авариям. Работа на склонах требует особого внимания.

- На склонах двигайтесь в рекомендованном производителем направлении. Соблюдайте осторожность при работе у обрывов.
- Избегайте кошения влажной травы. В этом случае шины могут потерять сцепление с грунтом.
- Запрещено эксплуатировать изделие в условиях, где существует риск потери сцепления, рулевого управления или устойчивости. Шины могут проскальзывать, даже если колеса остановлены.
- Движение вниз по склону всегда должно выполняться с включенной передачей. Не двигайтесь накатом вниз по склону.
- Не выполняйте на склонах запуск и останов двигателя. Не меняйте скорость и направление движения слишком резко. Выполняйте повороты медленно и постепенно.
- Если шины потеряли сцепление с грунтом, отключите сцепление ножей и медленно спуститесь по прямой линии по склону.
- Будьте максимально внимательны при эксплуатации изделия с травосборником или другим оборудованием. Они могут ухудшить устойчивость изделия.
- Кошение травы на склонах повышает риск потери управления и опрокидывания изделия. Это может привести к травмам или смерти. При кошении травы на склонах всегда необходимо соблюдать осторожность. Не косите на склоне, если не можете подняться обратно по склону вверх или не уверены, что сможете управлять изделием.
- Уберите камни, ветки и другие препятствия.
- При кошении на склоне перемещайтесь вверх и вниз, а не поперек склона.
- Запрещается использовать изделие на участках с уклоном более 10°.
- Перемещайтесь по склонам медленно и плавно.
- Следите за тем, чтобы на земле не было борозд, ям или колдобин; не пересекайте их. На неровной поверхности повышается риск опрокидывания изделия. Высокая трава может скрывать препятствия.

- Не косите вблизи обрывов, канав и берегов. Соблюдайте до них безопасную дистанцию, равную как минимум ширине изделия. Изделие может внезапно опрокинуться, если колесо переедет через край крутого склона или канавы или если начнется обрушение обрыва.

Инструкции по технике безопасности во время технического обслуживания



ПРЕДУПРЕЖДЕНИЕ:

Обязательно прочитайте следующие инструкции по технике безопасности, прежде чем приступить к эксплуатации изделия.



ПРЕДУПРЕЖДЕНИЕ:

Изделие имеет большой вес и может нанести травмы или повредить имущество/прилегающую территорию. Запрещается выполнять техническое обслуживание двигателя или режущей деки, если не соблюдены следующие условия:

- Двигатель выключен.
- Изделие припарковано на ровной поверхности.
- Стояночный тормоз включен.
- Ключ зажигания переведен в положение остановки и извлечен.
- Ножи выключены.
- Все движущиеся части остановлены.
- Провода зажигания отсоединены от свечей зажигания.



ПРЕДУПРЕЖДЕНИЕ:

Вытекающая под давлением жидкость может иметь достаточную силу, чтобы проникнуть под кожу и вызвать серьезные повреждения. При попадании жидкости под кожу немедленно обратитесь за медицинской помощью. Держите руки и другие части тела на безопасном расстоянии от отверстий для штифтов или сопел, из которых выходит жидкость под высоким давлением. В случае утечки немедленно обратитесь к квалифицированному специалисту, чтобы провести обслуживание изделия.



ПРЕДУПРЕЖДЕНИЕ:

Выхлопные газы из двигателя содержат монооксид углерода — не имеющий запаха, токсичный и чрезвычайно опасный газ. Запрещается запускать изделие в замкнутых пространствах или в местах с недостаточной вентиляцией.

- Содержите изделие в хорошем рабочем состоянии. Замените изношенные или поврежденные детали.
- Соблюдайте осторожность при обслуживании ножей. Оберните нож(и) защитным материалом или наденьте защитные перчатки. Замените поврежденные ножи. Не ремонтируйте ножи и не вносите изменения в их конструкцию.
- Перед выполнением любых ремонтных работ отсоедините провода свечей зажигания и отрицательный провод аккумулятора (при наличии).
- Для достижения оптимальной производительности и обеспечения безопасности регулярно выполняйте техническое обслуживание изделия согласно графику обслуживания. См. раздел *График технического обслуживания на стр. 208*.
- Поражение электрическим током приводит к травмам. Не касайтесь проводов во время работы двигателя. Не выполняйте функциональную проверку системы зажигания пальцами.
- Дайте изделию остыть, прежде чем начинать техническое обслуживание рядом с двигателем.
- Ножи очень острые, они могут стать причиной порезов. При работе с ножами наматывайте на них защиту или наденьте защитные перчатки.
- Не переворачивайте двигатель, если снята свеча зажигания или отсоединен провод зажигания.
- Убедитесь, что все гайки и болты затянуты должным образом, а оборудование находится в надлежащем состоянии.
- Не изменяйте настройку регуляторов. При слишком высокой частоте вращения двигателя существует риск повреждения компонентов изделия.
- Эксплуатация изделия допускается только с оригинальным или рекомендованным производителем оборудованием.
- Для ремонта используйте только оригинальные детали. Использование других деталей приведет к аннулированию гарантии.

Установка

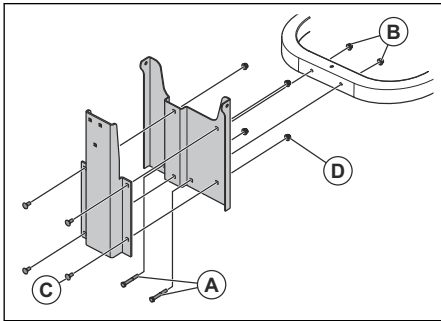
Введение



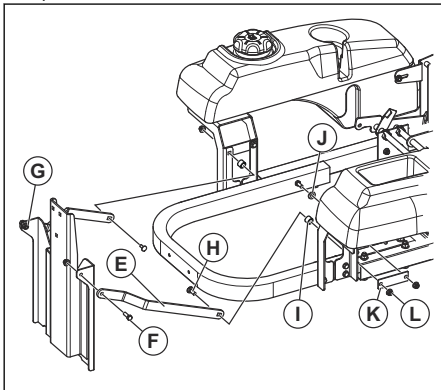
ПРЕДУПРЕЖДЕНИЕ: Перед установкой изделия внимательно изучите раздел техники безопасности.

Установка кронштейна травосборника

1. Установите опорный кронштейн на раму с помощью 2 болтов с шестигранной головкой 5/16-18x2-1/4 (A) и 2 гаек 5/16 (B).



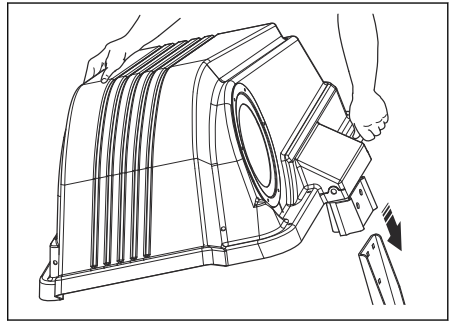
2. Установите подвесной кронштейн на опорный кронштейн с помощью 4 болтов с квадратным подголовком 5/16-18x3/4 (C) и 4 гаек 5/16 (D).
3. Установите крепежные пластины на опорный кронштейн.



4. Установите пластины (E) на опорный кронштейн с помощью 2 болтов с квадратным подголовком 5/16-18x1-1/4 (F) и 2 гаек 5/16 (G).
5. Установите пластины на кронштейны травосборника с помощью 4 болтов с шестигранной головкой 5/16-18x1 (H), 2 проставок (I), 2 шайб (J), 2 усиливающих пластин (K) и 4 гаек 5/16 (L).

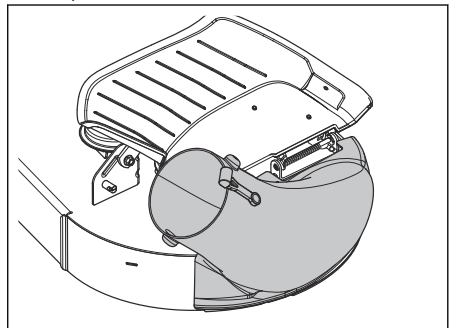
Установка крышки травосборника

1. Установите кронштейн травосборника. См. раздел *Установка кронштейна травосборника на стр. 206.*
2. Установите крышку травосборника на кронштейн травосборника.



Установка желоба бокового выброса

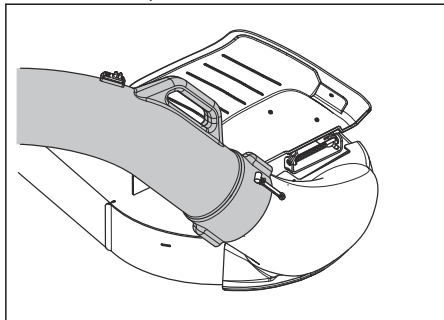
1. Поднимите крышку бокового выброса.
2. Установите желоб бокового выброса на кронштейн крышки.
3. Зафиксируйте защелки желоба бокового выброса на деке газонокосилки.



Установка желоба травосборника

1. Установите желоб травосборника на желоб бокового выброса.

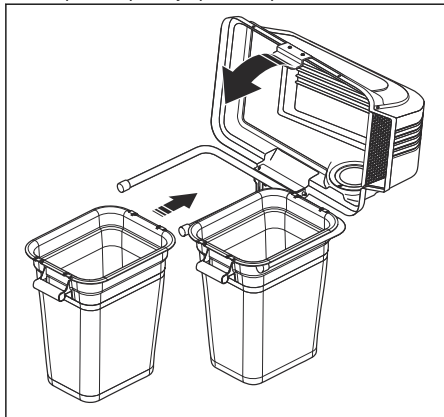
2. Установите крепежный элемент.



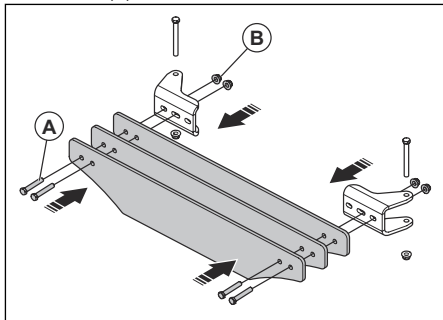
3. Установите желоб травосборника в отверстие на крышке травосборника.

Установка мешков

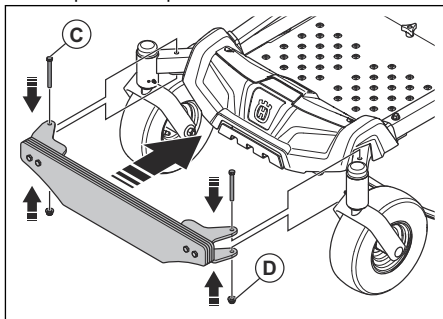
1. Наклоните крышку травосборника.
2. Установите 2 мешка на опорную раму.
3. Закройте крышку травосборника.



1. Установите передние балластные пластины на кронштейны с помощью 4 болтов с шестигранной головкой 3/8-16x2-1/4 (A) и 4 гаек 3/8 (B). Не затягивайте гайки полностью.



2. Совместите отверстия в кронштейнах с отверстиями в раме.



3. Установите болты 3/8-16x3-1/2 (C) и гайки 3/8 (D).
4. Затяните все гайки.

Установка переднего балласта



ПРЕДУПРЕЖДЕНИЕ: Не используйте систему сбора травы без передних балластов.

Эксплуатация

Введение



ПРЕДУПРЕЖДЕНИЕ: Перед эксплуатацией прибора необходимо внимательно изучить раздел безопасности.

Эксплуатация изделия

- Следуйте инструкциям в руководстве по эксплуатации газонокосилки.
- При использовании системы сбора травы двигатель должен работать на полных оборотах.
- Чтобы добиться хороших результатов кошения и сбора травы, перемещайте изделие вперед на низкой скорости.

- Если трава высокая и густая, скашивайте ее в 2 подхода. Для первого раза выберите самую большую высоту кошения, для второго — требуемую высоту.
- При кошении вдоль предметов работайте левой стороной изделия.
- Не косите мокрый газон. Влажная трава может засорить систему сбора травы.
- Если система сбора травы не собирает срезанную траву, опустошите мешки. Если после опустошения мешков проблема сохраняется, проверьте желоб травосборника на предмет засорения.
- В случае удара о незакрепленный предмет остановите газонокосилку и убедитесь, что система сбора травы не повреждена.
- Не допускайте перекручивания желоба травосборника.
- Не допускайте, чтобы желоб травосборника тачился вдоль стен или по другим твердым поверхностям.

Техническое обслуживание

Введение



ПРЕДУПРЕЖДЕНИЕ: Перед выполнением обслуживания прибора необходимо ознакомиться и понять раздел безопасности.

X = инструкции представлены в данном руководстве по эксплуатации.

O = инструкции представлены в руководстве по эксплуатации двигателя.

График технического обслуживания для оператора

График технического обслуживания

* = Инструкции не представлены в данном руководстве по эксплуатации.

| Техническое обслуживание | Ежедневное обслуживание | Интервал техобслуживания в часах | | |
|---|-------------------------|----------------------------------|----|----|
| | Перед использованием | 5 | 25 | 50 |
| Проверьте и очистите мешки для сбора травы. | X | X | | |
| Проверьте затяжку гаек и винтов. | X | | | |
| Убедитесь, что желоб травосборника затянут. | X | | | |
| Очистите изделие. | | | | X |

Очистка изделия

- Для удаления с изделия постороннего материала и травы используйте щетку.
- При необходимости используйте мойку под высоким давлением и щадящее чистящее средство. Давление воды не должно превышать 68,9 бар (1000 фунтов/кв. дюйм).

Поиск и устранение неисправностей

Таблица процедур по поиску и устранению неисправностей

Если вы не нашли решение своей проблемы в данном руководстве по эксплуатации, обратитесь в сервисный центр Husqvarna.

| Проблема | Причина |
|---|--|
| Отсутствие потока воздуха. | Засорение желоба травосборника или впускного отверстия крышки травосборника. |
| | Контейнер заполнен. |
| | Засорена ткань в травосборнике. |
| Необычная вибрация или шум. | Твердый предмет в травосборнике. |
| | Ослабление или отсутствие винтов или гаек. |
| Крышка травосборника плохо закрывается. | Предметы в травосборнике привели к засорению крышки травосборника. |
| | Слишком сильно затянуты винты петель крышки травосборника. |

Транспортировка, хранение и утилизация

Транспортировка

- Запрещается буксировать изделие.
- Изделие много весит и может привести к сдавливанию конечностей. Соблюдайте особую осторожность при погрузке изделия на транспортное средство/прицеп и его выгрузке.
- Загружайте изделие задним ходом по одобренным рампам с углом наклона не более 10°. Не поднимайте изделие.
- Для транспортировки изделия используйте прицеп соответствующей грузоподъемности.
- Перед транспортировкой изделия в прицепе или по дороге изучите местные правила дорожного движения.
- Зафиксируйте изделие с помощью одобренных приспособлений, например строп. Используйте точки крепления на изделии или подходящие места на раме. Стояночного тормоза недостаточно для фиксации изделия на время его транспортировки.

Хранение

Подготовьте агрегат к хранению в конце сезона, а также перед помещением на хранение на срок более 30 дней. Если хранить топливо в топливном баке в течение 30 дней и более, липкие частицы могут образовать засор в карбюраторе. Это отрицательно скажется на работе двигателя.

Для предотвращения образования липких частиц во время хранения добавляйте стабилизирующий реагент. Если используется алкилатный бензин, применять стабилизирующие реагенты нет необходимости. При использовании стандартного бензина запрещается переходить на алкилатный бензин. Это может привести к затвердеванию

чувствительных резиновых компонентов агрегата. Добавляйте стабилизирующий реагент в топливо, находящееся в топливном баке или в емкости для хранения. Строго соблюдайте данные по соотношению смешиваемых компонентов, указанные производителем. Добавьте стабилизатор и дайте двигателю поработать не менее 10 минут, пока топливо не начнет поступать в карбюратор.



ПРЕДУПРЕЖДЕНИЕ:

Запрещается хранить агрегат с топливом в топливном баке в помещениях или в местах с недостаточной вентиляцией. Существует риск пожара, если испарения топлива окажутся вблизи открытого пламени, искр или запального факела газовых котлов, водонагревателей, сушилок для одежды и т.д.



ПРЕДУПРЕЖДЕНИЕ:

Риск пожара можно уменьшить, очистив агрегат от травы, листьев и других легковоспламеняющихся материалов. Дайте агрегату остыть перед помещением на хранение.

- Очистите агрегат, см. *Очистка изделия на стр. 208.*
- Удалите посторонние материалы с охлаждающего вентилятора.
- Устраните повреждения лакокрасочного покрытия, чтобы предотвратить образование ржавчины.

- Проверьте агрегат на наличие изношенных или поврежденных деталей и затяните ослабленные винты и гайки.
- Снимите аккумулятор. Очистите, зарядите и поставьте аккумулятор на хранение в прохладное место.
- Замените моторное масло и утилизируйте отработанное масло.
- Опустошите топливный бак. Запустите двигатель и дайте ему поработать, пока в карбюраторе не останется топлива.

Примечание: Не опорожняйте топливный бак и карбюратор, если вы добавили в топливо стабилизирующий реагент.

- Снимите свечи зажигания и залейте в каждый цилиндр примерно столовую ложку моторного масла. Вручную поверните вал двигателя, чтобы распределить масло, и заверните свечи зажигания обратно.
- Заполните смазкой все пресс-масленки, смажьте соединения и оси.
- Храните агрегат в чистом сухом месте и накрывайте его для дополнительной защиты.

Obsah

| | | | |
|-----------------|-----|---|-----|
| Úvod..... | 211 | Údržba..... | 217 |
| Bezpečnosť..... | 212 | Riešenie problémov..... | 218 |
| Inštalácia..... | 215 | Preprava, skladovanie a likvidácia..... | 218 |
| Prevádzka..... | 217 | | |

Úvod

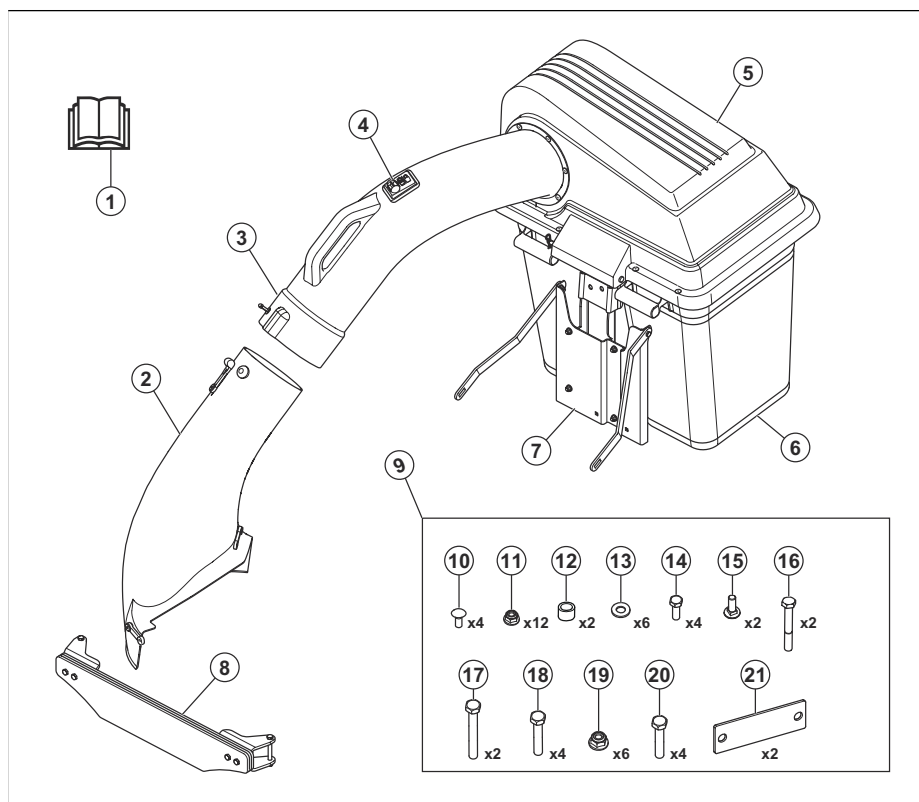
Popis výrobku

Tento výrobok je systém na zber trávy. Nazbieranú trávu môžete využiť ako kompost pre trávnik alebo záhony, alebo ju zlikvidovať ako záhradný odpad.

Účel použitia

Tento výrobok slúži na zber pokosenej trávy pri kosení, aby váš trávnik pôsobil udržiavane. Výrobok nepoužívajte na iné účely.

Prehľad výrobku



1. Návod na obsluhu
2. Bočná výsypka
3. Zberný žlab
4. Indikátor plného vaku
5. Plášť
6. Vak
7. Držiak zberača

8. Predné závažie
9. Vrečko na hardvér
10. Vratová skrutka, 5/16-18x3/4
11. Matica, 5/16
12. Dištančná vložka
13. Podložka
14. Šesťhranná skrutka, 5/16-18x1

15. Vratová skrutka, 5/16-18x1-1/4
16. Šest'hranná skrutka, 5/16-18x2-1/4
17. Šest'hranná skrutka, 3/8-16x3-1/2
18. Šest'hranná skrutka, 3/8-16x2-1/2
19. Matica, 3/8
20. Šest'hranná skrutka, 3/8-16x2-1/4
21. Výstužná doska

- nesprávne vykonanej opravy výrobku,
- opravy výrobku, pri ktorej neboli použité diely od výrobcu alebo diely schválené výrobcom,
- používania príslušenstva od iného výrobcu alebo príslušenstva, ktoré nie je schválené výrobcom,
- opravy výrobku, ktoré neboli vykonané v schválenom servisnom stredisku alebo schválenými kompetentnými osobami.

Poškodenie výrobku

Nie sme zodpovední za škody na našom výrobku v prípade:

Bezpečnosť

Bezpečnostné definície

Výstrahy, upozornenia a poznámky slúžia na zdôraznenie mimoriadne dôležitých častí návodu.



VÝSTRAHA: Používa sa, ak pre obsluhu alebo osoby v okolí existuje nebezpečenstvo poranenia alebo smrti v prípade nedodržania pokynov v návode.



VAROVANIE: Používa sa, ak hrozí nebezpečenstvo poškodenia produktu, iných materiálov alebo okolitej oblasti v prípade nedodržania pokynov v návode.

Poznámka: Používa sa na poskytnutie informácií nad rámec nevyhnutných informácií v danej situácii.

Všeobecné bezpečnostné pokyny



VÝSTRAHA: Skôr než budete výrobok používať, prečítajte si nasledujúce výstrahy.



VÝSTRAHA: Tento výrobok môže spôsobiť amputácie rúk a nôh a vymrštiť predmety. Nedodržanie nasledujúcich bezpečnostných pokynov môže byť príčinou vážnych alebo smrteľných zranení.



VÝSTRAHA: Nedodržanie bezpečnostných pracovných postupov môže mať za následok nebezpečné zranenie obsluhy alebo iných osôb. Majiteľ musí rozumieť týmto pokynom a kosačku nechať obsluhovať len osoby, ktoré rozumejú týmto pokynom. Každá osoba obsluhujúca kosačku musí byť v dobrom psychickom aj fyzickom

stave a nesmie byť pod vplyvom látok ovplyvňujúcich psychický stav.

- Pozorne si prečítajte a dôsledne sa riadte postupmi a výstrahami uvedenými v tomto dokumente, návode na obsluhu a na výrobku, motore a prídavných častiach.
- Výrobok môžu obsluhovať iba osoby, ktoré sú zodpovedné, vyškolené a oboznámené s návodom na obsluhu a fyzicky schopné výrobok obsluhovať.
- Ak idete výrobok obsluhovať, informujte o tom niekoho pre prípad, že by došlo k zraneniu alebo nehode.
- Na zariadení neprevádzajte pasažierov a nedovoľte okolostojacim približovať sa do jeho blízkosti.
- Výrobok nepoužívajte, ak ste pod vplyvom alkoholu alebo omamných látok.
- Riadte sa odporúčaniami výrobcu, ktoré sa týkajú závaží alebo protizávaží na kolesá.
- Naučte sa používať výrobok a jeho ovládacie prvky bezpečne a naučte sa, ako výrobok rýchlo zastaviť.
- Naučte sa rozpoznávať bezpečnostné štítky.
- Výrobok udržiajte čistý, aby boli nápisy a nálepky jasne čitateľné.
- Nezabudnite, že obsluha bude zodpovedná za nehody, ktoré sa týkajú iných osôb alebo ich majetku.
- Výrobok používajte iba za denného svetla alebo pri dobrom osvetlení. Výrobok udržiavajte v bezpečnej vzdialenosti od jám alebo iných terénnych nerovností. Dávajte pozor na možné riziká.
- Nenechajte deti a osoby, ktoré nemajú oprávnenie na prevádzku, používať výrobok alebo vykonávať jeho servis. Vek operátora môžu stanovovať miestne zákony.
- Pri štartovaní motora, aktivácii pohonu alebo pri pohybaní sa s výrobkom sa uistite, že sa v blízkosti výrobku nenachádzajú ďalšie osoby.
- Počas kosenia pri ceste alebo jazde cez cestu dávajte pozor na premávku.

- Výrobok nepoužívajte pri únave, po požití alkoholu, drog, liekov alebo čohokoľvek iného, čo môže viesť k zníženiu zrakovej schopnosti, pozornosti, koordinácie alebo schopnosti úsudku.
- Výrobok vždy parkujte na vodorovnom povrchu a s vypnutým motorom.
- Bez súhlasu výrobcu zariadenie neupravujte ani naň neinštalujte neštandardné vybavenie. Úpravy na zariadení môžu viesť k nebezpečnej prevádzke alebo poškodeniu zariadenia.
- Nepoužívajte kosačku so zberným systémom, ak nie sú nainštalované predné závažia.
- Pred otvorením zberného systému sa uistíte, že sa všetky pohyblivé časti zastavili.
- Pred odstránením upchatej trávy zo zberného systému sa uistíte, že sa všetky pohyblivé časti zastavili.
- Vyčistite oblasť od kameňov, hračiek, drôtov a iných predmetov, ktoré môžu byť zachytené nožmi a vymrštené do okolia.
- Výrobok smú obsluhovať iba zodpovedné dospelé osoby.
- Pred kosením sa uistíte, že sa v pracovnom priestore nenachádzajú žiadne osoby ani zvieratá. Ak do pracovného priestoru vojde akákoľvek osoba, výrobok zastavte.
- Pred otáčaním znížte rýchlosť.
- Pred jazdou do zákruty znížte rýchlosť.
- Keď výrobok nekosi, odpojte nože.
- Pred používaním výrobku zatvorte kryt zbierača.
- Pri presúvaní výrobku cez oblasti, kde môžu byť vyhodené predmety nebezpečné, odpojte nože kosačky.
- Nepokúšajte sa zbierať predmety, ktoré môžu byť vyhodené zo zberného systému.
- Počas používania výrobku používajte chrániče očí. Vymrštené predmety môžu spôsobiť poškodenie očí.
- Po každom použití a pred uskladnením sa uistíte, že sú zberné vaky prázdne. Ak zostane v zberných vakoch tráva, môže dôjsť k jej samovznieteniu, čo môže viesť k požiaru.
- Zo štatistik vyplýva, že vysoký podiel pracovníkov obsluhy starších ako 60 rokov utrpel úraz súvisiaci s prevádzkou kosačky so sediacou obsluhou. Takíto pracovníci musia zväziť svoju schopnosť bezpečne obsluhovať kosačku so sediacou obsluhou a chrániť seba i ostatných pred zranením.

Bezpečnostné pokyny týkajúce sa detí



VÝSTRAHA: Tento výrobok môže spôsobiť vážne zranenia detí alebo ich dokonca usmrtiť. Skôr než budete výrobok používať, prečítajte si nasledujúce výstrahy. Zabráňte prístupu detí k výrobku.

- Ak si pracovník obsluhy nevšimne deti v pracovnom priestore, môže dôjsť k tragickým nehodám. Výrobok a kosenie často upúta pozornosť detí. Nikdy sa nespoliehajte na to, že deti zostanú tam, kde ste ich naposledy videli.
- Dbajte na to, aby sa deti zdržiavali mimo oblasti prevádzky a boli pod dozorom inej zodpovednej dospelé osoby ako pracovníka obsluhy.
- Budte ostražití a ak deti vkročia do pracovnej oblasti, okamžite výrobok vypnite. Mimoriadnu opatrnosť zachovávajúte v blízkosti rohov, kríkov, stromov alebo iných objektov, ktoré vám bránia vo výhlade.
- Budte mimoriadne opatrní, keď sa blížite k neprehľadnej zákrute, ku krovu, stromom alebo k iným predmetom, ktoré môžu zakryť výhľad na dieťa.
- Pred cúvaním a počas cúvania sa pozerajte za seba a pod seba, či tam nie sú malé deti.
- Nenechajte deti používať produkt.
- Podľa odporúčania Americkej pediatrickej akadémie môžu kosačku na trávu so sediacou obsluhou obsluhovať deti vo veku najmenej 16 rokov.
- Na stroji neprevádzajte deti, ani keď sú vypnuté nože. Deti by mohli spadnúť zo stroja, utrpieť vážne zranenia alebo by mohli prekážať bezpečnej prevádzke produktu. Deti, ktoré sa v minulosti prevádzali na stroji, sa môžu náhle objaviť v pracovnom priestore v snahe znovu sa zviezť a výrobok ich môže zraziť pri jazde dopredu alebo pri cúvaní.
- Zaparkujte na rovnom povrchu.
- Zatiahnite parkovaciu brzdu.
- Nastavte ovládacie páčky do neutrálnej polohy.
- Vypnite motor a vyberte kľúč zapaľovania.
- Pred inštaláciou zberného systému sa uistíte, že sa všetky pohyblivé časti zastavili.

Bezpečnostné pokyny pre prevádzku



VÝSTRAHA: Skôr než budete výrobok používať, prečítajte si nasledujúce výstrahy.

- Ak zbierač nie je úplne nainštalovaný, kosačku nepoužívajte.



VÝSTRAHA: Skôr než budete výrobok používať, prečítajte si nasledujúce výstrahy.

- Zaparkujte na rovnom povrchu.
- Zatiahnite parkovaciu brzdu.
- Nastavte ovládacie páčky do neutrálnej polohy.
- Vypnite motor a vyberte kľúč zapaľovania.
- Pred inštaláciou zberného systému sa uistíte, že sa všetky pohyblivé časti zastavili.

Bezpečnostné pokyny pre prevádzku na svahu



VÝSTRAHA: Skôr než budete výrobok používať, prečítajte si nasledujúce výstrahy.

Svahy majú významný vplyv na nehodovosť. Prevádzka na svahu si vyžaduje mimoriadnu opatnosť.

- Je potrebné sa po svahu pohybovať spôsobom, aký odporúča výrobca. Pri prevádzke produktu v blízkosti spádov buďte opatrní.
- Nekoste mokrú trávu. Pneumatiky môžu stratiť trakciu.
- Produkt nikdy nepoužívajte v prípade, keď je spochybnené fungovanie pohonu, riadenia alebo zabezpečenie stability. Môže dôjsť k prešmykovaniu pneumatík, aj keď sú kolesá zastavené.
- Pri jazde dolu svahom vždy v produkte zaraďte rýchlostný stupeň. Nejazdite dole kopcom pri dobehu alebo voľnobehu.
- Vyhybajte sa štartovaniu a zastavovaniu na svahoch. Vyhybajte sa náhlým zmenám rýchlosti alebo smeru. Zatáčajte pomaly a plynule.
- Ak pneumatiky strácajú trakciu, vypnite nože a pomaly pokračujte v jazde priamo dolu svahom.
- Počas prevádzky produktu so zberným košom alebo inými prídavnými časťami buďte mimoriadne opatrní. Takéto časti môžu ovplyvniť stabilitu produktu.
- Pri kosení trávy na svahoch existuje vyššie riziko straty kontroly nad produktom a jeho prevrátenia. To môže spôsobiť vážne poranenie alebo usmrtenie. Na každom svahu je nutné kosiť opatrne. Ak na svahu nemôžete cívať alebo ak sa necítite bezpečne, svah nekoste.
- Odstráňte kamene, konáre a iné prekážky.
- Trávu na svahu koste smerom hore a dolu, nie na stranu.
- Produkt nepoužívajte na svahoch so sklonom viac ako 10°.
- Na svahoch sa pohybujte plynulo a pomaly.
- Dávajte pozor na brázdy, diery a hrbole a nejazdite cez ne. Na nerovnom podklade existuje vyššie riziko prevrátenia produktu. Vysoká tráva môže zakrývať prekážky.
- Nekoste trávu v blízkosti zrázov, priekop ani brehov. Držte sa vo vzdialenosti aspoň na šírku stroja od týchto nebezpečných miest. Ak by sa jedno z kolies dostalo za okraj prudkého zrázu alebo jamy alebo ak by sa okraj zosunul, produkt by sa mohol náhle prevrátiť.

Bezpečnostné pokyny pre údržbu



VÝSTRAHA: Skôr než budete výrobok používať, prečítajte si nasledujúce výstrahy.



VÝSTRAHA: Výrobok je ťažký a môže spôsobiť poranenie, hmotné škody alebo poškodenie okolitej oblasti. Nevykonaвайте údržbu motora ani kosiaceho zariadenia, kým nie sú splnené nasledujúce podmienky:

- Motor je vypnutý.
- Výrobok je zaparkovaný na rovnom povrchu.
- Parkovacia brzda je aktivovaná.
- Kľúč zapalovania je v polohe zastavenia a vybrať.
- Nože sú deaktivované.
- Všetky pohyblivé diely sú zastavené.
- Káble zapalovania sú odpojené od zapalovacích sviečok.



VÝSTRAHA: Kvapalina unikajúca pod tlakom môže mať dostatočnú silu na preniknutie cez kožu a spôsobenie vážneho úrazu. Ak sa kvapalina dostane pod kožu, okamžite vyhľadajte lekársku pomoc. Nepribližujte sa telom ani rukami k otvorom čapov alebo tryskám, ktoré striekajú kvapalinu pod vysokým tlakom. Ak sa vyskytne únik, výrobok dajte bezodkladne do servisu vyškolenému technikovi.



VÝSTRAHA: Výfukové plyny z motora obsahujú oxid uhoľnatý, plyn bez zápachu, ktorý je jedovatý a veľmi nebezpečný. Nepoužívajte výrobok v uzavretých priestoroch alebo priestoroch s nedostatočným odvetrávaním.

- Výrobok udržiavajte v dobrom prevádzkovom stave. Opotrebované alebo poškodené diely vymeňte.

Pri údržbe nožov buďte opatrní. Nože zakryté alebo používajte rukavice. Poškodené nože vymeňte. Neopravujte ani neupravujte čepeľ/čepele.

Pred vykonávaním opráv odpojte kábel/káble zapalovacej sviečky a záporný kábel batérie, ak sú vo výbehu.

V záujme najlepšej výkonnosti a bezpečnosti vykonávajte údržbu výrobku pravidelne v súlade s plánom údržby. Pozrite si časť *Plán údržby na strane 217*.

- Kontakt s elektrickým prúdom môže spôsobiť poranenia. Keď je motor naštartovaný, nedotýkajte sa káblov. Nevykonávajte test fungovania zapalovacieho systému prstami.
- Pred vykonávaním údržby v motorovom priestore nechajte výrobok vychladnúť.
- Nože sú ostré a môžu spôsobiť rezné rany. Keď vykonávate práce na nožoch, oviňte ich ochranným materiálom alebo použite ochranné rukavice.
- Nepretáčajte motor, ak je odstránená zapalovacia sviečka alebo kábel zapalovania.
- Ubezpečte sa, že sú všetky matice a skrutky správne dotiahnuté a že je zariadenie v dobrom stave.
- Nemeňte nastavenia regulátorov. Ak sú otáčky motora príliš vysoké, môže dôjsť k poškodeniu súčastí výrobku.
- Výrobok bol schválený iba s vybavením dodávaným alebo odporúčaným výrobcom.
- Pri opravách používajte iba originálne náhradné diely. Použitie iných náhradných dielov bude mať za následok zrušenie záruky.

Inštalácia

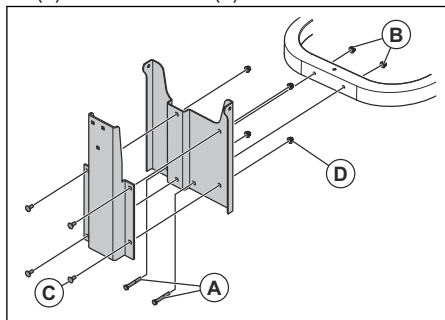
Úvod



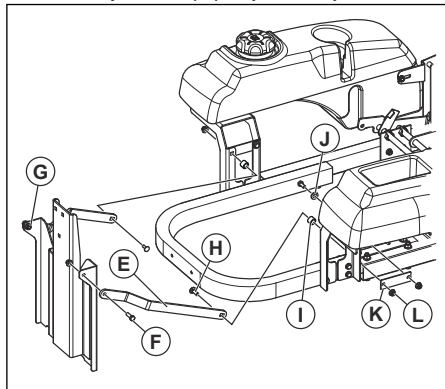
VÝSTRAHA: Pred montážou zariadenia si riadne prečítajte kapitolu o bezpečnosti.

Inštalácia držiaka zberača

1. Nainštalujte nosný držiak na rám pomocou 2 ks skrutiek so šesťhrannou hlavou 5/16-18x2-1/4 (A) a 2 ks matic 5/16 (B).



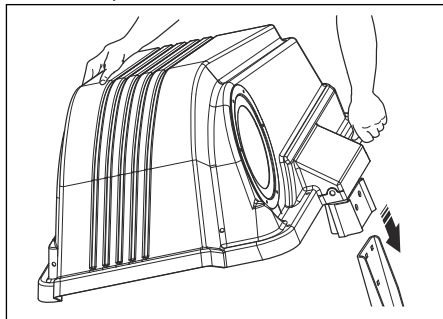
2. Nainštalujte závesný držiak na nosný držiak pomocou 4 ks vratových skrutiek 5/16-18x3/4 (C) a 4 ks matic 5/16 (D).
3. Namontujte nosné popruhy na nosný držiak.



4. Nainštalujte popruhy (E) na nosný držiak pomocou 2 ks vratových skrutiek 5/16-18x1-1/4 (F) a 2 ks matic 5/16 (G).
5. Nainštalujte popruhy do držiakov nádrže pomocou 4 ks šesťhranných skrutiek 5/16-18x1 (H), 2 ks dištančných podložiek (I), 2 ks podložiek (J), 2 ks výstužných dosiek (K) a 4 ks matic 5/16 (L).

Inštalácia plášťa zberača

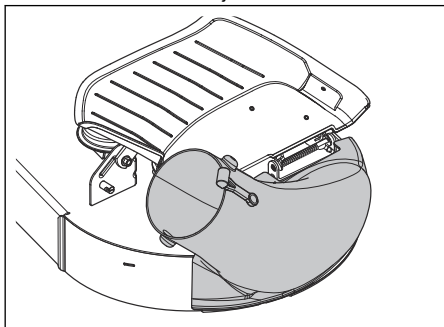
1. Nainštalujte držiak zberača. Pozrite si časť *Inštalácia držiaka zberača na strane 215*.
2. Nasadte plášť zberača na držiak zberača.



Inštalácia bočnej výspyky

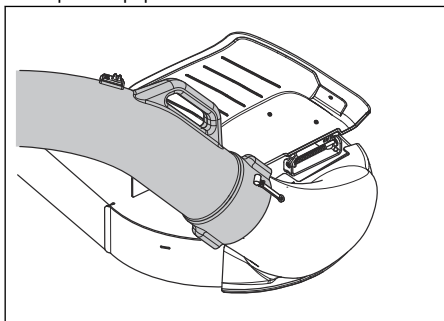
1. Zdvihnute kryt bočného vyhadzovania.
2. Nastoknite bočný vyhadzovací otvor na držiak krytu.

3. Pripevnite západky bočného vyhadzovacieho otvoru k žaciemu ústrojenstvu.



Inštalácia zberného žľabu

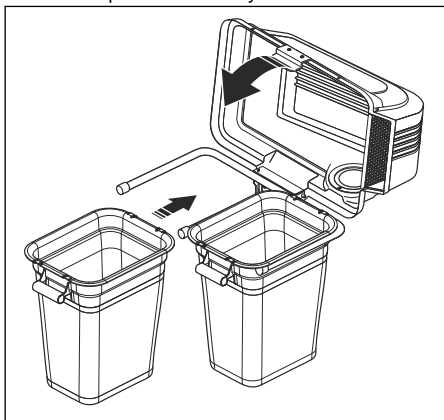
1. Nasadte zberný žľab na bočnú výsytku.
2. Pripevnite popruh.



3. Zberný žľab vložte do otvoru na plášti zberného systému.

Inštalácia vakov

1. Nakloňte plášť zberného systému.
2. Umiestnite 2 vaky na nosný rám.
3. Zatvorte plášť zberného systému.

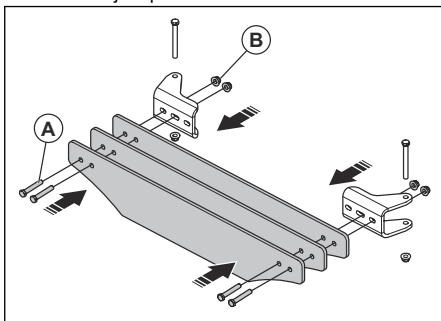


Inštalácia predného závažia

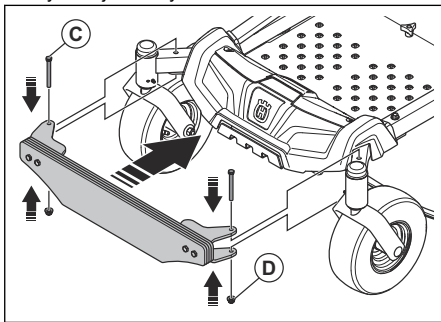


VÝSTRAHA: Nepoužívajte zberný systém bez predných závaží.

1. Nainštalujte predné závažia na držiaky pomocou 4 ks skrutiek so šesťhrannou hlavou 3/8-16x2-1/4 (A) a 4 ks matic 3/8 (B). Matice nedotahujte úplne.



2. Vyrovnajte otvory v držiakoch s otvormi v ráme.



3. Nainštalujte skrutky 3/8-16x3-1/2 (C) a matice 3/8 (D).
4. Dotiahnite všetky matice.

Prevádzka

Úvod



VÝSTRAHA: Pred používaním výrobku si musíte prečítať kapitolu o bezpečnosti a porozumieť informáciám, ktoré sa v nej uvádzajú.

- Na kosenie v blízkosti objektov používajte ľavú stranu kosačky.
- Nekoste mokrý trávnik. Vlhká tráva môže zberný systém viac upchať.
- Ak zberný systém nezberá pokosenú trávu, vyprázdňte zberné vaky. Ak problém pretrváva, keď sú zberné vaky prázdne, uistite sa, že zberný žlab nie je upchatý.
- Ak narazíte na voľný predmet, zastavte kosačku a skontrolujte, či nie je zberný systém poškodený.
- Zabráňte prekrúteniu zberného žlabu.
- Neodierajte zberný žlab o steny budov alebo iné tvrdé povrchy.

Obsluha výrobku

- Dodržiavajte pokyny na obsluhu uvedené v návode na obsluhu kosačky.
- Pri používaní zberného systému pracujte s plnými otáčkami motora.
- Výrobok posúvajte dopredu pri nízkej rýchlosti, aby ste dosiahli dobrý výsledok kosenia a dobrý výsledok zberu.
- Ak je tráva vysoká a hustá, koste ju 2-krát. Prvé kosenie musí byť v najvyššej výške kosenia a druhé v správnej výške.

Údržba

Úvod



VÝSTRAHA: Pred vykonávaním akejkoľvek údržby si musíte prečítať kapitolu o bezpečnosti a porozumieť informáciám, ktoré sa v nej uvádzajú.

- X = Pokyny sa uvádzajú v tomto návode na obsluhu.
O = Pokyny sú uvedené v návode k motoru.

Plán údržby pre pracovníka obsluhy

Plán údržby

* = Pokyny sa neuvádzajú v tomto návode na obsluhu.

| Údržba | Denná údržba | Interval údržby v hodinách | | |
|--|---------------|----------------------------|----|----|
| | Pred použitím | 5 | 25 | 50 |
| Skontrolujte a vyčistite zberné vaky. | X | X | | |
| Skontrolujte, či sú matice a skrutky dotiahnuté. | X | | | |
| Skontrolujte, či je zberný žlab utiahnutý. | X | | | |
| Očistite výrobok. | | | | X |

Čistenie výrobku

- V prípade potreby použite vysokotlakovú umývačku a slabý čistiaci prostriedok. Tlak vody nesmie presiahnuť úroveň 1000 psi (68,9 baru).

Riešenie problémov

Riešenie problémov

Ak nedokázate nájsť riešenie vašich problémov v tomto návode na obsluhu, obráťte sa na servisného zástupcu spoločnosti Husqvarna.

| Problém | Prčina |
|---------------------------------|---|
| Strata prietoku vzduchu. | Je upchatý zberný žlab alebo vstupný otvor krytu zberača. |
| | Je plný zásobník. |
| | Je upchatá tkanina v zberači. |
| Nezvyčajné vibrácie alebo hluk. | V zberači sa nachádza pevný predmet. |
| | Uvoľnené alebo chýbajúce skrutky či matice. |
| Kryt zberača sa ťažko zatvára. | Predmety v zberači spôsobujú zablokovanie krytu zberača. |
| | Skrutky závesu krytu zberača sú príliš utiahnuté. |

Preprava, skladovanie a likvidácia

Preprava

- Výrobok nepresúvajte ťahaním.
- Výrobok je ťažký a môže spôsobiť pomliaždeniny. Pri jeho nakladaní alebo vykladaní z vozidla alebo prívěsu postupujte opatrne.
- Naložte výrobok opačnou stranou na schválené rampy pri maximálnom uhle prevádzky 10°. Výrobok nenadvihujte.
- Na prepravu výrobku používajte schválený prívěs.
- Pred prepravou výrobku na prívěse alebo na cestách sa uistite, že poznáte miestne dopravné predpisy.
- Zaisťte výrobok na schválených zariadeniach, ako sú popruhy. Použite viazacie body na výrobku alebo na príslušných miestach rámu. Parkovacia brzda nepostačuje na zaistenie výrobku počas prepravy.

Skladovanie

Produkt pripravte na uskladnenie na konci sezóny a pred dlhším než 30 dňovým uskladnením. Ak palivo v palivovej nádrži zostáva 30 alebo viac dní, lepkavé častice môžu spôsobiť zablokovanie karburátora. To môže negatívne ovplyvniť funkciu motora.

Na predchádzanie vzniku lepkavých častíc počas uskladnenia použite stabilizátor. Ak sa používa alkylátový benzín, stabilizátor nie je potrebný. Pri používaní štandardného benzínu neprechádzajte na alkylátový benzín. Môže to spôsobiť stvrdnutie

citlivých gumených dielov. Stabilizátor pridajte do paliva v nádrži alebo v nádobe používanej na uskladnenie. Vždy dodržiavajte pomer miešania udávaný výrobcom. Pridajte stabilizátor a zapnite motor najmenej na 10 minút, až kým palivo nezačne prúdiť do karburátora.



VÝSTRAHA: Produkt s palivom v nádrži neskladujte v interiéri ani na miestach s nedostatočným prúdením vzduchu. Pri kontakte palivových výparov s otvoreným ohňom, iskrami alebo napríklad kontrolkami bojlerov, nádrží na horúcu vodu alebo sušičiek odevov hrozí riziko požiaru.



VÝSTRAHA: Na zníženie nebezpečenstva požiaru odstráňte z produktu trávu, listy a iné horľavé materiály. Pred uskladnením nechajte produkt vychladnúť.

- Očistite výrobok, pozrite si časť *Čistenie výrobku na strane 217*.
- Odstráňte nežiaduci materiál z chladiaceho ventilátora.
- Poškodený náter opravte, aby sa predišlo korózii.
- Na produkte skontrolujte prípadné opotrebované alebo poškodené súčiastky a dotiahnite uvoľnené skrutky a matice.
- Vyberte batériu. Akumulátor pred uskladnením vyčistite, nabite a nechajte vychladnúť.

- Vymeňte motorový olej a zlikvidujte použitý olej.
- Vyprázdňte palivovú nádrž. Naštartujte motor a nechajte ho bežať, kým v karburátore nezostane žiadne palivo.

Poznámka: Ak ste pridali stabilizátor, palivovú nádrž ani karburátor nevyprázdňujte.

- Demontujte sviečky a nalejte približne jednu polievkovú lyžicu motorového oleja do každého valca. Manuálne pretočte hriadeľ motora, aby sa naň naniesol olej, a nasadte sviečky späť.
- Namažte všetky mazničky, spoje a nápravy.
- Výrobok uložte na čisté a suché miesto a prikryte ho, aby bol lepšie chránený.

VSEBINA

| | | | |
|-------------------|-----|--|-----|
| Uvod..... | 220 | Vzdrževanje..... | 226 |
| Varnost..... | 221 | Odpravljanje težav..... | 226 |
| Namestititev..... | 224 | Transport skladiščenje in odstranitev..... | 227 |
| Delovanje..... | 225 | | |

Uvod

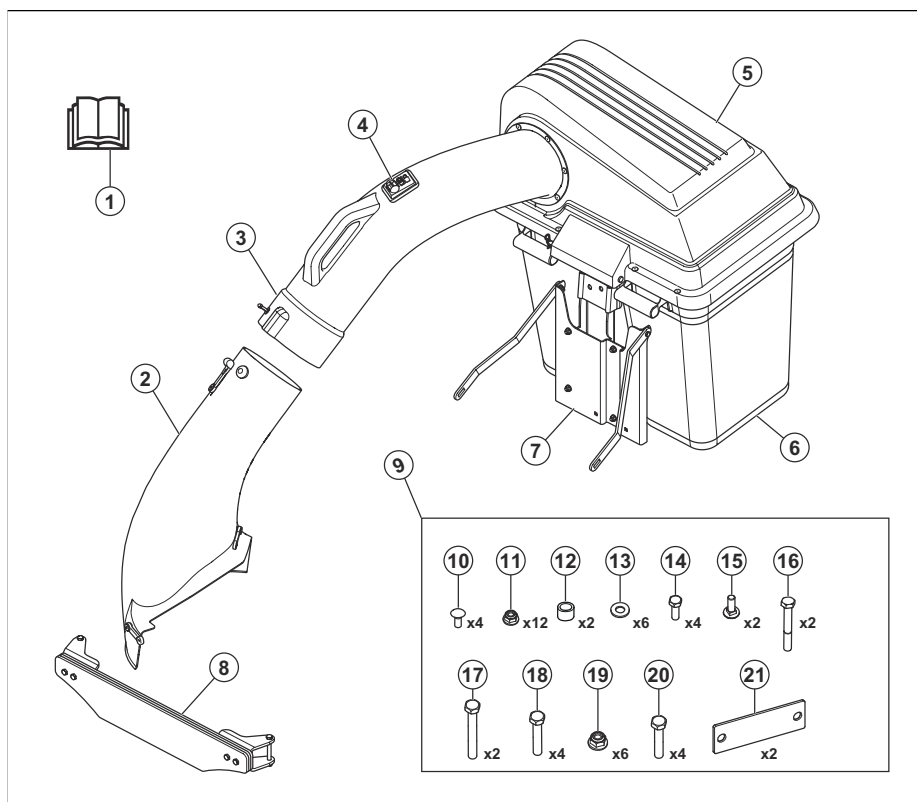
Opis izdelka

Izdelek je sistem za zbiranje trave. Zbrana trava se lahko uporabi kot kompost za gnojenje zelenic ali gred, lahko pa se zavreže kot vrtni odpadke.

Namen uporabe

Izdelek med košnjo zbira pokošeno travo, da je zelenica videti še posebej negovana. Izdelka ne uporabljajte za druga opravila.

Pregled izdelka



1. Navodila za uporabo
2. Kanal za stranski izmet
3. Kanal zbiralnika
4. Indikator za napolnjenost vreče
5. Pokrov
6. Vreča
7. Nosilec zbiralnika

8. Sprednja utež
9. Vreča
10. Varovalni vijak, 5/16-18 x 3/4
11. Matica, 5/16
12. Distančnik
13. Podložka
14. Šesterkotni vijak, 5/16-18 x 1

- 15. Varovalni vijak, 5/16-18 x 1-1/4
- 16. Šesterokotni vijak, 5/16-18 x 2-1/4
- 17. Šesterokotni vijak, 3/8-16 x 3-1/2
- 18. Šesterokotni vijak, 3/8-16 x 2-1/2
- 19. Matica, 3/8
- 20. Šesterokotni vijak, 3/8-16 x 2-1/4
- 21. Ojačitvena plošča

- Izdelek ni pravilno popravljen.
- Izdelek je popravljen z deli, ki jih ni izdelal ali odobril proizvajalec.
- Na izdelku je nameščena dodatna oprema, ki je ni izdelal ali odobril proizvajalec.
- Izdelek ni bil popravljen v pooblaščenem servisnem centru ali pri pooblaščenem organu.

Škoda izdelka

Za škodo na izdelku ne odgovarjamo, če:

Varnost

Varnostne definicije

Opozorila, svarila in opombe opozarjajo na posebej pomembne dele priročnika.



OPOZORILO: Se uporabi, če obstaja nevarnost telesne poškodbe ali smrti uporabnika ali opazovalcev ob neupoštevanju navodil v tem priročniku.



POZOR: Se uporabi, če obstaja nevarnost poškodbe izdelka, drugih materialov ali okolice ob neupoštevanju navodil v tem priročniku.

Opomba: Se uporabi za podajanje podrobnejših informacij, potrebnih v dani situaciji.

Splošna varnostna navodila



OPOZORILO: Pred uporabo izdelka preberite navodila v povezavi z opozorili v nadaljevanju



OPOZORILO: Izdelek je sposoben odrezati dlan ali stopalo in sproži izmet predmetov. Neupoštevanje naslednjih varnostnih navodil lahko povzroči hudo telesno poškodbo ali smrt.



OPOZORILO: V primeru neizvajanja previdnostnih operativnih postopkov lahko pride do nevarnih poškodb uporabnika ali drugih oseb. Lastnik mora navodila razumeti, upravljanje kosilnice pa lahko odobri samo pooblaščenim osebam, ki razumejo ta navodila za uporabo. Vsaka oseba, ki upravlja kosilnico, mora biti telesno in duševno zdrava in ne sme biti pod vplivom substanc, ki spreminjajo psihično stanje.

- Preberite, razumite in sledite navodilom ter opozorilom v tem dokumentu in na izdelku, motorju ter priključkih.
- Izdelek lahko uporabljajo samo odgovorni in usposobljeni upravljavci, ki so dobro seznanjeni z navodili in so fizično zmožni upravljati izdelek.
- Če pride do poškodbe ali nesreče, obvestite osebo, da boste izdelek uporabljali.
- Ne prevažajte potnikov in pazite, da bodo drugi navozči na varni razdalji.
- Izdelka ne uporabljajte pod vplivom alkohola, mamil ali zdravil.
- Upoštevajte proizvajalčeva priporočila glede uteži ali protiuteži za kolesa.
- Naučite se varno uporabljati stroj in njegove krmilne elemente ter se seznanite z načinom hitre zaustavitve izdelka.
- Seznanite se z varnostnimi oznakami.
- Izdelek mora biti čist, da je mogoče jasno prebrati oznake in nalepke.
- Ne pozabite, da je uporabnik odgovoren za nesreče, ki jih povzročijo drugim ljudem ali njihovim lastnini.
- Izdelek uporabljajte le pri dnevni svetlobi ali pri dobri osvetlitvi. Izdelek mora biti vedno na varni razdalji od lukenj ali drugih nepravilnosti v tleh. Pozorni bodite na druga morebitna tveganja.
- Otrokom ali drugim osebam, ki niso pooblaščene za upravljanje izdelka, ne dovolite, da bi uporabljali izdelek ali ga servisirali. Starost uporabnika je morda določena z lokalnimi zakoni.
- Pred zagonom motorja, vklopom pogona ali začetkom premikanja izdelka se prepričajte, da v bližini izdelka ni nikogar drugega.
- Med košnjo v bližini ceste ali prečkanjem ceste bodite pozorni na promet.
- Izdelka ne uporabljajte, če ste utrujeni, pod vplivom alkohola ali drog ali zdravil oziroma v drugih okoliščinah, ki lahko negativno vplivajo na vaš vid, pozornost, koordinacijo ali presojo.
- Izdelek vedno parkirajte na ravni površini, pri čemer zaustavite motor.
- Enote ne spreminjajte in nanjo ne nameščajte nestandardne opreme brez soglasja proizvajalca. Zaradi spreminjanja enote lahko pride do nevarnega delovanja ali poškodb enote.

Varnostna navodila v zvezi z otroki



OPOZORILO: Ta izdelek lahko pri otrocih povzroči resno poškodbo ali smrt. Pred uporabo izdelka preberite navodila v povezavi z opozorili v nadaljevanju. Otroci naj se ne približujejo.

- Če se uporabnik ne zaveda prisotnosti otrok, lahko pride do tragičnih nesreč. Otroke pogosto privlačita delo z izdelkom in košnja. Nikoli ne predpostavljajte, da bodo otroci ostali tam, kjer ste jih nazadnje videli.
- Otroci naj se zadržujejo zunaj delovnega območja in pod budnim nadzorom odgovorne odrasle osebe, ne tiste, ki trenutno dela s kosilnico.
- Opazujte otroke in izdelek nemudoma zaustavite, če se približajo delovnemu območju. Bodite zelo previdni blizu vogalov, grmov, dreves ali drugih predmetov, ki vam ovirajo jasen pogled.
- Ko se približujete nepreglednim vogalom, grmičevju, drevesom ali drugim predmetom, ki lahko ovirajo pogled na otroke, bodite izredno previdni.
- Pred vzratno vožnjo in med njo se ozrite nazaj in navzdol, da v bližini izdelka ni majhnih otrok.
- Otroci izdelka ne smejo uporabljati.
- Po priporočilih Ameriške pediatrične akademije (AAP) lahko sedežne vrtno kosilnice upravljajo otroci, stari najmanj 16 let.
- Ne prevažajte otrok, niti z izklopljenimi rezili. Otroci lahko padejo z izdelka in se hudo poškodujejo oz. ovirajo varno delovanje. Otroci, ki so se v preteklosti že vozili s kosilnico, se lahko nenadoma pojavijo na območju košnje, da bi se spet vozili in jih lahko povozite ali zmečkate s strojem.

Varnostna navodila za uporabo



OPOZORILO: Pred uporabo izdelka preberite navodila v povezavi z opozorili v nadaljevanju.

- Kosilnice ne uporabljajte, če zbiralnik ni popolnoma nameščen.
- Kosilnice ne uporabljajte z zbiralnim sistemom brez nameščenih sprednjih uteži.
- Preden odprete zbiralni sistem, se prepričajte, da so se vsi premični deli zaustavili.
- Pred odstranjevanjem blokad zaradi trave iz zbiralnega sistema se prepričajte, da so se vsi premični deli zaustavili.
- Z območja odstranite predmete, kot so kamni, igrače, žice itd., ki bi se lahko zataknili za rezila in bi jih izvrglo.
- Izdelek lahko upravljajo samo odgovorni odrasli.

- Pred začetkom košnje se prepričajte, da v območju ni nobene osebe in hišnih ljubljencev. Če kdo vstopi v območje, izklopite stroj.
- Pred zavijanjem zmanjšajte hitrost.
- Pred zavijanjem v vogalih zmanjšajte hitrost.
- Ko izdelek ne kosi, odklopite rezila.
- Pred zagonom izdelka zaprite pokrov zbiralnika.
- Ko z izdelkom vozite po območjih, na katerih predstavljajo izvrženi izdelki nevarnost, odklopite rezila.
- Ne poskušajte pobirati predmetov, ki se lahko izvržejo iz zbiralnega sistema.
- Pri uporabi izdelka vedno uporabljajte zaščito oči. Izvrženi predmeti lahko povzročijo poškodbe oči.
- Po vsaki uporabi in pred shranjevanjem izpraznite vreče za zbiranje trave. Trava, ki ostane v vrečah za zbiranje trave, lahko povzroči samovžig.
- Iz zbranih podatkov je razvidno, da so uporabniki, stari 60 let ali več, vpleteni v visok odstotek poškodb pri delu s sedežno kosilnico. Ti uporabniki morajo oceniti, ali lahko dovolj varno uporabljajo sedežno kosilnico in zaščitijo sebe in druge osebe pred poškodbami.

Varnostna navodila pred namestitvijo kompleta za zbiranje



OPOZORILO: Pred uporabo izdelka preberite navodila v povezavi z opozorili v nadaljevanju.

- Parkirajte na ravni površini.
- Aktivirajte parkirno zavoro.
- Krmilni ročici prestavite v nevtralni položaj.
- Izklopite motor in odstranite kontaktni ključ.
- Preden namestite zbiralni sistem, se prepričajte, da so se vsi premični deli zaustavili.

Varnostna navodila pri delu na klančinah



OPOZORILO: Pred uporabo izdelka preberite navodila v povezavi z opozorili v nadaljevanju.

Pobočja so pomemben dejavnik v nezgodah. Pri delu na pobočjih je potrebna izredna previdnost.

- Po pobočjih vozite v smeri, ki jo priporoča proizvajalec. Bodite previdni v bližini prepadnih predelov.
- Izogibajte se košnji mokre trave. Pnevmatike lahko izgubijo oprijem.
- Izdelka ne uporabljajte v razmerah, ker lahko pride do poslabšanega oprijema, krmiljenja ali stabilnosti. Pnevmatike lahko zdrsnjejo tudi, če so kolesa zaustavljena.

- Pri voržnji navzdol vedno vozite v prestavi. Ne vozite po pobočju navzdol.
- Izogibajte se zagonu in zaustavljanju motorja na pobočjih. Hitrosti ali smeri ne spreminjajte sunkovito. Počasi in postopoma obračajte.
- Če pnevmatike izgubijo oprijem, izklopite vrtenje rezil in se počasi zapeljite naravnost po klanecu navzdol.
- Pri delovanju z zbiralniki trave ali drugimi priključki bodite izredno previdni. Lahko vplivajo na stabilnost stroja.
- Košnja trave na klančinah poveča nevarnost zaradi izgube nadzora nad izdelkom in prevračanjem. To lahko povzroči poškodbe ali smrt. Na vseh pobočjih je treba travo kositi previdno. Če po klančini ne morete voziti vzvratno ali se ob tem ne počutite varno, je ne kosite.
- Odstranite kamenje, veje in druge ovire.
- Travo na pobočjih kosite z vrha proti dnu in obratno, ne pa z ene strani na drugo.
- Izdelka ne upravljajte na klančinah z naklonom, večjim od 10°.
- Po klančinah vozite brez ustavljanja in počasi.
- Bodite pozorni in ne vozite prek brazd, lukenj in grbin. Na neravnih tleh obstaja večja nevarnost prevračanja izdelka. Visoka trava lahko prekriva ovire.
- Ne kosite v bližini robov, jarkov ali nabrežij. Pazite, da stroj ne bo v bližini teh nevarnosti. Izdelek se lahko nenadoma prevrne, če s kolesi zapeljete na rob strme klančine ali jarka oz. če rob popusti.

Varnostna navodila za vzdrževanje



OPOZORILO: Pred uporabo izdelka preberite navodila v povezavi z opozorili v nadaljevanju.



OPOZORILO: Izdelek je težak in lahko povzroči telesne poškodbe ali materialno škodo na lastnini ali na sosednjih območjih. Ne izvajajte vzdrževalnih del na motorju ali kosišču, če niso izpolnjeni naslednji pogoji:

- Motor je izklopljen.
- Izdelek je parkiran na ravni površini.
- Parkirna zavora je aktivirana.
- Kontaktni ključ je v položaju za izklop in odstranjen.
- Rezila so deaktivirana.
- Vsi premični deli so zaustavljeni.

- Vžigalni kabli so odstranjeni z vžigalnih svečk.



OPOZORILO: Tekočina, ki uhaja pod tlakom, ima zadostno silo, da lahko predre kožo in povzroči težje poškodbe. Če tekočine prodre pod kožo, takoj poiščite zdravniško pomoč. Roke in druge dele telesa hranite proč od odprtih ali šob, skozi katere brizga tekočina pod visokim tlakom. V primeru uhajanja tekočine naj izdelek nemudoma servisira usposobljen tehnik.



OPOZORILO: Izpušni plini iz motorja vsebujejo ogljikov monoksid, ki je strupen in zelo nevaren plin brez vonja. Izdelka ne zaganjajte v zaprtih prostorih ali v prostorih z nezadostnim prezračevanjem.

- Izdelek naj bo v dobrem stanju. Obrabljene in poškodovane dele zamenjajte.

Pri servisiranju rezil bodite previdni. Ovijte rezila ali nosite rokavice. Zamenjajte poškodovana rezila. Rezil ne popravljajte ali spreminjajte.

Pred popravili odklopite kable svečk in negativni kabl akumulatorja, če je izdelek z njim opremljen.

Za najboljšo učinkovitost in varnost, redno izvajajte vzdrževalna dela na izdelku, kot je navedeno v urniku vzdrževanja. Glejte *Urnik vzdrževanja na strani 226*.

- Električni udar lahko povzroči poškodbe. Ne dotikajte se kablov, ko je motor vklopljen. Delovanja vžigalnega sistema ne preverjajte s prsti.
- Pred izvajanjem vzdrževalnih del v motornem prostoru se mora izdelek ohladiti.
- Rezila so ostra in lahko povzročijo ureznine. Na rezila namestite zaščito ali nosite zaščitne rokavice, ko na njih izvajate dela.
- Če sta svečka ali vžigalni kabl odstranjena, ne obračajte motorja.
- Prepričajte se, da so vse matice in vijaki pravilno zategnjeni ter da je oprema v dobrem stanju.
- Ne spreminjajte nastavitve krmilnikov. Če je število vrtljajev motorja previsoko, se lahko deli izdelka poškodujejo.
- Izdelek je homologiran samo za uporabo z opremo, ki jo dobavi ali priporoča proizvajalec.
- Za popravila uporabljajte samo originalne dele. Če ne uporabljate originalnih delov, postane garancija neveljavna.

Namestitev

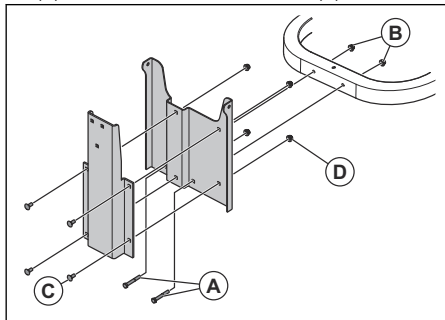
Uvod



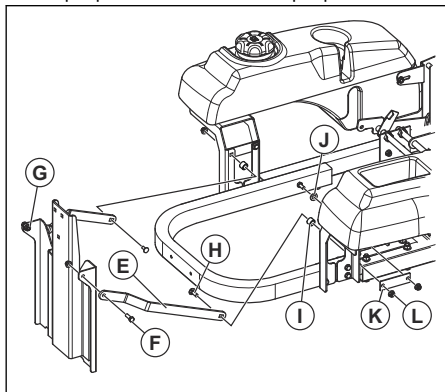
OPOZORILO: Pred namestitvijo izdelka, morate prebrati in razumeti poglavje o varnosti.

Namestitev nosilca zbiralnika

1. Na okvir namestite podporni nosilec z 2 × šesterokotnimi vijakoma velikosti 5/16-18x2-1/4 (A) in 2 × maticama velikosti 5/16 (B).



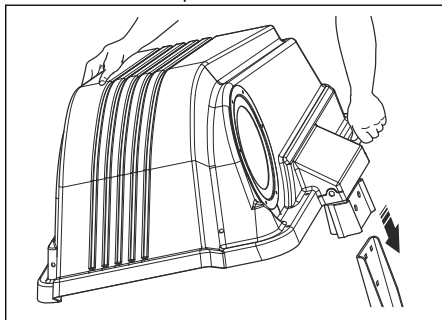
2. Na podporni nosilec namestite obešalo s 4 × varovalnimi vijaki velikosti 5/16-18x3/4 (C) in 4 × maticami velikosti 5/16 (D).
3. Na podporni nosilec namestite podporne trakove.



4. Na podporni nosilec namestite trakove (E) z 2 × vijakoma velikosti 5/16-18x1-1/4 (F) in 2 × maticama velikosti 5/16 (G).
5. Na nosilce posode za gorivo namestite trakove s 4 × šesterokotnimi vijaki velikosti 5/16-18x1 (H), 2 × distančnikoma (I), 2 × podložkama (J), 2 × ojačitvenima ploščama (K) in 4 × maticami velikosti 5/16 (L).

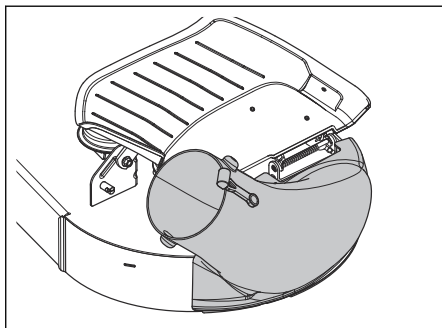
Namestitev pokrova zbiralnika

1. Namestite nosilec zbiralnika. Glejte *Namestitev nosilca zbiralnika na strani 224*.
2. Pokrov zbiralnika postavite na nosilec zbiralnika.



Namestitev kanala za stranski izmet

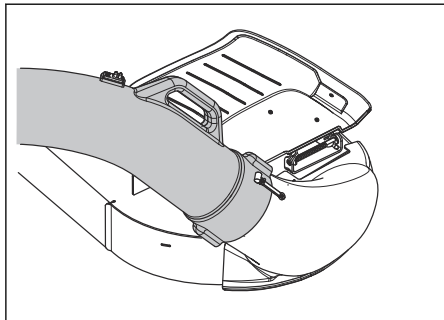
1. Dvignite pokrov stranske izmetne odprtine.
2. Kanal za stranski izmet namestite ob nosilec pokrova.
3. Zapahе kanala za stranski izmet pritrdite na kosišče.



Namestitev kanala zbiralnika

1. Kanal zbiralnika postavite na kanal za stranski izmet.

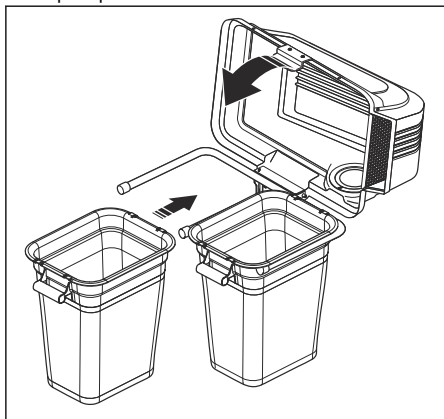
2. Pritrpite trak.



3. Kanal zbiralnika vstavite v odprtino na pokrovu zbiralnika.

Namestitev vreč za travo

1. Nagnite pokrov zbiralnika.
2. Vreči namestite na podporni okvir.
3. Zaprite pokrov zbiralnika.



Namestitev sprednje uteži



OPOZORILO: Sistema za zbiranje ne uporabljajte brez sprednjih uteži.

Delovanje

Uvod

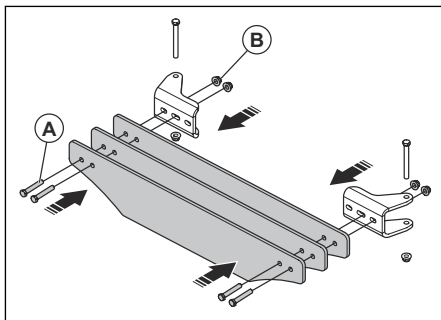


OPOZORILO: Pred uporabo izdelka morate prebrati in razumeti poglavje o varnosti.

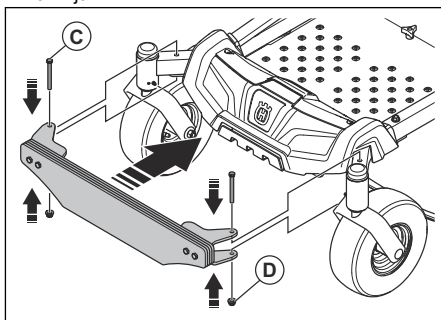
Upravljanje izdelka

- Upoštevajte navodila za uporabo v navodilih za uporabo kosilnice.

1. Sprednje obežitvene plošče na nosilce s 4 × šesterokotnimi vijaki velikosti 3/8-16x2-1/4 (A) in 4 × maticami velikosti 3/8 (B). Matic ne privijte do konca.



2. Odprtine v nosilcih poravnajte z odprtinami v okvirju.



3. Namestite vijake velikosti 3/8-16x3-1/2 (C) in matice 3/8 (D).
4. Privijte vse matice.

- Če sistem za zbiranje ne zbira pokošene trave, izpraznite vreče za zbiranje trave. Če težava ni odpravljena tudi, ko izpraznite vreče, preverite, ali je kanal zbiralnika zamašen.
- Če zadenete predmet, zaustavite kosilnico in se prepričajte, da sistem za zbiranje ni poškodovan.
- Preprečite zvijanje kanala zbiralnika.
- Pazite, da kanala zbiralnika ne opraskate ob stenah stavb ali drugih trdih površinah.

Vzdrževanje

Uvod



OPOZORILO: Pred izvajanjem vzdrževalnih del morate prebrati in razumeti poglavje o varnosti.

X = Navodila so navedena v teh navodilih za uporabo.

O = Za navodila glejte navodila za uporabo motorja.

Urnik vzdrževanja za upravljavca

Urnik vzdrževanja

*= Navodila niso navedena v teh navodilih v uporabo.

| Vzdrževanje | Dnevno vzdrževanje | Trajanje vzdrževanja v urah | | |
|--|--------------------|-----------------------------|----|----|
| | Pred uporabo | 5 | 25 | 50 |
| Preverite in očistite vreče za zbiranje trave. | X | X | | |
| Matice in vijaki morajo biti zategnjeni. | X | | | |
| Poskrbite, da je kanal zbiralnika privit. | X | | | |
| Izdelek očistite. | | | | X |

Čiščenje izdelka

- S krtačo odstranite neželen material in travo z izdelka.
- Po potrebi uporabite visokotlačni čistilnik in blago čistilno sredstvo. Vodni tlak ne sme preseči 68,9 bara (1000 psi).

Odpravljanje težav

Urnik odpravljanja težav

Če rešitve težave ne najdete v teh navodilih za uporabo, se obrnite na pooblaščen servisno delavnico Husqvarna.

| Težava | Vzrok |
|-----------------------------------|---|
| Prekinjen pretok zraka. | Kanal zbiralnika, ali dovod na pokrovu zbiralnika sta zamašena. |
| | Posoda je polna. |
| | Tkanina v zbiralniku je zamašena. |
| Neobičajne vibracije ali hrup. | V zbiralniku je trden predmet. |
| | Odviti ali manjkajoči vijaki ali matice. |
| Pokrov zbiralnika se težko zapre. | Predmeti v zbiralniku mašijo pokrov zbiralnika. |
| | Vijaki tečajev pokrova zbiralnika so pretesno priviti. |

Transport skladiščenje in odstranitev

Prevoz

- Ne vlecite izdelka.
- Izdelek je težek in lahko povzroči zmečkanine. Bodite previdni, ko ga natovarjate ali raztovarjate z vozila ali prikolice.
- Izdelek naložite vzvratno na odobrene rampe z največjim naklonom 10°. Ne dvigajte izdelka.
- Za prevoz izdelka uporabite odobreno prikolico.
- Pred prevozom izdelka s prikolico ali po cesti se seznanite z lokalnimi prometnimi predpisi.
- Priklenite izdelek z odobrenimi napravami, kot so transportni trakovi. Uporabite točke za privezovanje na izdelku ali na ustreznih delih okvirja. Aktiviranje parkirne zavore ni zadosten ukrep za zaščito izdelka med prevozom.

Shranjevanje

Ob koncu sezone ali pred skladiščenjem, ki je lahko daljše od 30 dni, izdelek pripravite na shranjevanje. Če gorivo v posodi za gorivo stoji 30 dni ali več, lahko lepljivi delci povzročijo blokado uplinjalnika. To ima lahko negativne posledice za delovanje motorja.

Dodajte stabilizator, da preprečite nastanek lepljivih delcev med skladiščenjem. Če uporabljate alkilatni bencin, ne potrebujete stabilizatorja. Če uporabljate standardni bencin, ne začnite uporabljati alkilatnega. To lahko povzroči strjevanje občutljivih gumijastih delov. Gorivu v posodi za gorivo ali posodi za shranjevanje dodajte stabilizator. Vedno uporabite mešalno razmerje, ki ga navede proizvajalec. Dodajte stabilizator in pustite motor teči najmanj 10 minut, da gorivo priteče v uplinjevalnik.



OPOZORILO: Izdelka s polno posodo z gorivom ne hranite v zaprtih prostorih ali prostorih s slabim pretokom zraka. Nevarnost požara, če pridejo hlapi goriva v bližino odprtega plamena, isker, ali indikatorskih lučk pri, na primer, grelnikih vode, zalogovnikih vroče vode in sušilnikih perila.



OPOZORILO: Z izdelka odstranite travo, liste in druge vnetljive materiale, da zmanjšate nevarnost požara. Pred skladiščenjem se motor mora ohladiti.

- Očistite izdelek, glejte *Čiščenje izdelka na strani 226*.
- Odstranite neželeni material iz hladilnega ventilatorja.
- Popravite poškodovano barvo, da preprečite korozijo.
- Preglejte, ali je kakšen del izdelka obrabljen ali poškodovan, ter zategnite zrahljane vijake in matice.

- Odstranite akumulator. Očistite, napolnite in jo skladiščite na hladnem.
- Zamenjajte motorno olje in zavrzite odpadno olje.
- Izpraznite posodo za gorivo. Zaženite motor in ga pustite delovati, dokler v uplinjalniku ne zmanjka goriva.

Opomba: V primeru uporabe stabilizatorja, ne izpraznite posode za gorivo in uplinjalnika.

- Odstranite čepe in v vsak valj nalijte približno eno čajno žličko motornega olja. Ročno obračajte gred motorja, da se olje porazdeli, nato pa znova namestite čepe.
- Namažite vse mazalke, zglobe in preme.
- Izdelek hranite na čistem in suhem mestu ter ga pokrijte, da ga še dodatno zaščitite.

Sadržaj

| | | | |
|------------------|-----|--|-----|
| Uvod..... | 228 | Održavanje..... | 234 |
| Bezbednost..... | 229 | Rešavanje problema..... | 234 |
| Instalacija..... | 232 | Transport, skladištenje i odlaganje..... | 235 |
| Rukovanje..... | 233 | | |

Uvod

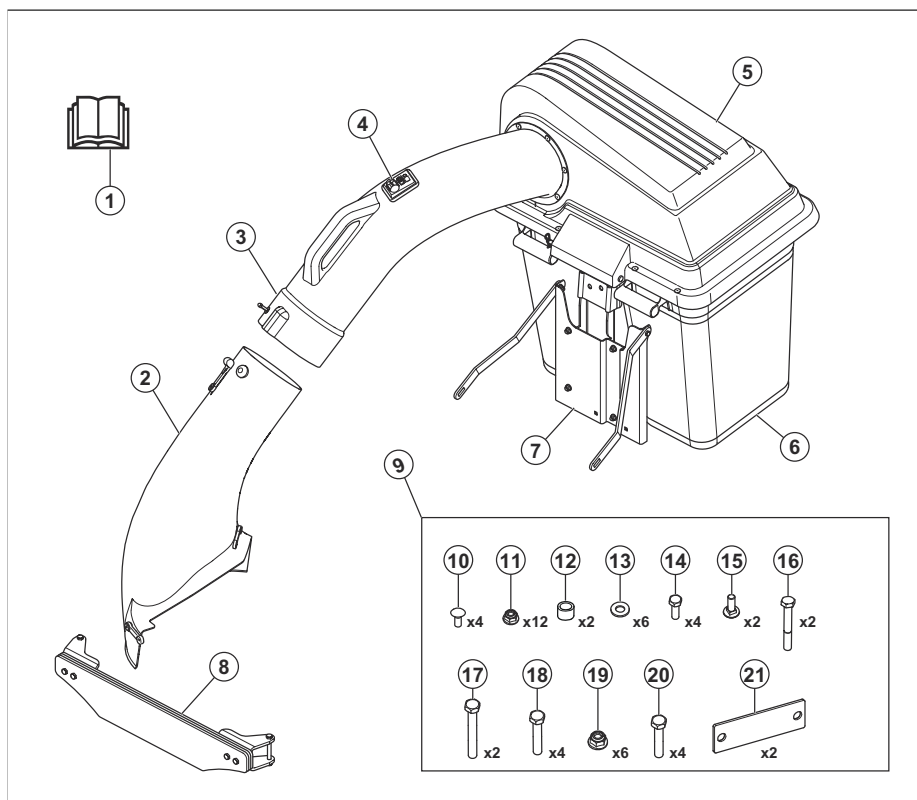
Opis proizvoda

Ovaj proizvod je sistem za sakupljanje trave Trava koju sakupite može se upotrebiti kao đubrivo za travnjake ili bašte ili se može ukloniti kao komunalni otpad.

Namena

Ovaj proizvod je napravljen za sakupljanje pokošene trave u toku košenja, kako bi vaš travnjak imao sređen izgled. Nemojte koristiti proizvod za druge zadatke.

Pregled proizvoda



1. Korisničko uputstvo
2. Cev za bočno pražnjenje
3. Cev za sakupljanje
4. Indikator pune vreće
5. Poklopac
6. Vreća

7. Nosač sakupljača
8. Prednji teg
9. Kesa s opremom
10. Nosač podloške, 5/16–18x3/4
11. Navrtka, 5/16
12. Razdelnik

13. Podloška
14. Šestougaoni vijak, 5/16–18x1
15. Nosač podloške, 5/16–18x1-1/4
16. Šestougaoni vijak, 5/16–18x2-1/4
17. Šestougaoni vijak 3/8–16x3–1/2
18. Šestougaoni vijak 3/8–16x2-1/2
19. Navrtka, 3/8
20. Šestougaoni vijak 3/8–16x2–1/4
21. Pločica za ojačanje

- proizvod je popravljen na pogrešan način
- proizvod je popravljen korišćenjem delova koji nisu napravljeni ili odobreni od strane proizvođača
- proizvod ima opremu koja ne potiče ili nije odobrena od strane proizvođača
- proizvod nije popravljen u ovlašćenom servisnom centru ili od strane ovlašćenog stručnjaka

Oštećenje proizvoda

Nismo odgovorni za oštećenja proizvoda u sledećim slučajevima:

Bezbednost

Bezbednosne definicije

Upozorenja, mere opreza i napomene se koriste da ukažu na naročito važne delove korisničkog uputstva.



UPOZORENJE: Koristi se ako, usled nepoštovanja uputstava, postoji rizik od nastanka telesnih povreda ili smrti kod rukovaoca ili prisutnih osoba.



OPREZ: Koristi se ako, usled nepoštovanja uputstava, postoji rizik od nastanka oštećenja na proizvodu, drugim materijalima ili susjednim oblastima.

Napomena: Koristi se za pružanje više informacija koje su neophodne u datoj situaciji.

Opšta bezbednosna uputstva



UPOZORENJE: Pročitajte upozoravajuća uputstva koja slede pre korišćenja proizvoda



UPOZORENJE: Ovaj proizvod može da amputira šake i stopala i da odbaci predmete. Nepoštovanje bezbednosnih uputstava u nastavku bi moglo da dovede do teških povreda ili smrtnog ishoda.



UPOZORENJE: Nepodržavanje predostrožnih radnih praksi može rezultirati ozbiljnom povredom, kako za rukovaoca, tako i za druge osobe. Vlasnik mora razumeti ova uputstva i sme dozvoliti isključivo odobrenim osobama koje razumeju ova uputstva da rukuju kosačicom. Svaka osoba

koja koristi kosačicu mora biti zdrave pameti i tela i ne sme biti pod uticajem psihoaktivnih supstanci.

- Pročitajte, shvatite i pridržavajte se uputstava u ovom dokumentu, korisničkom uputstvu i na proizvodu, motoru i dodacima.
- Dozvolite upravljanje proizvodom samo odgovornim odraslim osobama, koje su obučene, upoznate sa uputstvima i fizički sposobne.
- Obavezno obavestite nekoga da ćete upravljati proizvodom ukoliko dođe do povrede ili nesreće.
- Nemojte voziti putnike i pazite da nema prisutnih osoba u blizini.
- Nemojte upravljati proizvodom ako ste pod dejstvom alkohola ili lekova.
- Pratite preporuke proizvođača u pogledu tegova na točkovima ili kontrategova.
- Naučite kako se bezbedno koristi proizvod i komande proizvoda i naučite kako da ga brzo zaustavite.
- Naučite da čitate bezbednosne nalepnice.
- Održavajte proizvod čistim da biste mogli lako da pročitate znakove i nalepnice.
- Imajte na umu da će se rukovalac smatrati odgovornim za nesrećne slučajeve koji uključuju druge osobe ili njihovu imovinu.
- Koristite proizvod samo po dnevnom svetlu i drugim uslovima dobre osvetljenosti. Držite proizvod na bezbednom rastojanju od rupa i drugih nepravilnosti na tlu. Vodite računa i o drugim potencijalnim rizicima.
- Deca i osobe koje nemaju odobrenje za rad ne smeju da koriste proizvod niti da ga servisiraju. Uzrast korisnika je možda propisan lokalnim zakonima.
- Uverite se da niko nije u blizini proizvoda pri pokretanju motora, aktiviranju pogona i početka kretanja proizvoda.
- Pratite saobraćaj kad kosite blizu puta ili prelazite put.
- Ne upotrebljavajte proizvod kada ste umorni, ako ste pod uticajem alkohola, droge ili lekova ili bilo

čega što bi moglo da negativno utiče na vaš vid, budnost, koordinaciju ili rasuđivanje.

- Uvek parkirajte proizvod na ravnu površinu i isključite motor.
- Nemojte menjati jedinicu niti instalirati nestandardnu opremu na njoj bez dozvole proizvođača. Izmene učinjene na jedinici mogu prouzrokovati nebezbedan rad ili je oštetiti.

Bezbednosne mere u vezi sa decom



UPOZORENJE: Ovaj proizvod može prouzrokovati ozbiljne povrede ili smrt dece. Pročitajte upozoravajuća uputstva koja slede pre korišćenja proizvoda. Držite decu podalje.

- Fatalne nesreće mogu da se dese ako rukovalac nije na oprezu u prisustvu dece. Decu često privlači proizvod i aktivnosti košenja. Nikada ne pretpostavljajte da će deca ostati tamo gde ste ih ostavili.
- Udaljite decu od oblasti rada i neka budu pod nadzorom druge odgovorne odrasle osobe.
- Pratite decu i zaustavite proizvod ako dete uđe u radni prostor. Budite posebno opreznii u blizini uglova, grmova, stabala i drugih predmeta koji blokiraju pogled.
- Budite izuzetno pažljivi kada prilazite mrtvim uglovima, rastinju, stablima ili drugim objektima zbog kojih ne možete videti dete.
- Pre i u toku kretanja proizvodom unazad, pogledajte iza sebe i postarajte se da nema male dece.
- Ne dozvolite deci da rukuju proizvodom.
- Američka akademija za pedijatriju preporučuje da deca imaju najmanje 16 godina pre nego što počnu da rukuju kosačicom za travu sa rukovaocem koji sedi na mašini.
- Ne vozite decu, čak ni kada su noževi isključeni. Ona mogu pasti i zadobiti teške povrede ili ometati bezbedan rad proizvoda. Deca koja su se ranije vozila na kosačici mogu se iznenada pojaviti u oblasti košenja u očekivanju još jedne vožnje i proizvod može da ih pregazi pri hodu unapred ili unazad.

Bezbednosna uputstva za rukovanje



UPOZORENJE: Pročitajte upozoravajuća uputstva koja slede pre korišćenja proizvoda.

- Ne rukujte kosačicom ukoliko sakupljač nije u potpunosti instaliran.
- Ne rukujte kosačicom sa sistemom za sakupljanje ukoliko prednji tegovi nisu postavljeni.
- Uverite se da su svi pokretni delovi zaustavljeni pre otvaranja sistema za sakupljanje.

- Uverite se da su svi pokretni delovi zasutavljeni pre vađenja trave koja je zapušila sistem za sakupljanje.
- Iz oblasti rada uklonite kamenje, igračke, žice i slične predmete, koji mogu da se upetljaju u noževe ili da budu izbačeni.
- Neka samo odgovorne odrasle osobe rukuju proizvodom.
- Proverite da li u radnom prostoru ima ljudi ili kućnih ljubimaca pre košenja. Zaustavite proizvod ukoliko bilo ko uđe u radni prostor.
- Smanjite brzinu pre okretanja.
- Smanjite brzinu pre skretanja.
- Deaktivirajte noževe kada proizvod ne kosi.
- Spustite poklopac sakupljača pre pokretanja proizvoda.
- Deaktivirajte noževe kada prevozite proizvod preko površina gde izbačeni predmeti mogu predstavljati opasnost.
- Ne pokušavajte da sakupljate predmete koji mogu biti izbačeni iz sistema za sakupljanje.
- Koristite zaštitu za oči kada rukujete proizvodom. Izbačeni predmeti mogu da prouzrokuju povrede oči.
- Proverite da li su vreće za sakupljanje prazne pre svake upotrebe i pre skladištenja. Ukoliko ostavite travu u vrećama za sakupljanje, može doći do spontanog zapaljenja i može nastati požar.
- Podaci pokazuju da rukovaoci stariji od 60 godina često budu žrtve povreda vezanih za kosačice sa rukovaocem koji sedi na mašini. Ti rukovaoci moraju proceniti da li mogu upravljati kosačicom sa rukovaocem koji sedi na mapini na dovoljno bezbedan način da zašтите sebe i druge od povreda.

Bezbednosna uputstva pre ugradnje sistema za sakupljanje



UPOZORENJE: Pročitajte upozoravajuća uputstva koja slede pre korišćenja proizvoda.

- Parkirajte se na ravnom tlu.
- Aktivirajte parkirnu kočnicu.
- Ostavite kontrolne ručice u neutralnoj poziciji.
- Isključite motor i izvadite ključ.
- Uverite se da su svi pokretni delovi zaustavljeni pre nego što ugradite sistem za sakupljanje.

Bezbednosna uputstva za rukovanje na nagibima



UPOZORENJE: Pročitajte upozoravajuća uputstva koja slede pre korišćenja proizvoda.

Nagibi su glavni faktor koji utiče na nezgode. Rad na nagibima zahteva izuzetan oprez.

- Na nagibima se krećite smerom koji preporučuje proizvođač. Budite oprezni pri radu na odsecima.
- Ne kosite mokru travu. Pneumatici bi mogli da izgube na vučnoj snazi.
- Nemojte upravljati proizvodom ni pod kojim uslovima gde bi vučna snaga, upravljanje ili stabilnost došli u pitanje. Pneumatici mogu da proklizaju čak i ako su točkovi zaustavljeni.
- Proizvod uvek mora biti u brzini pri kretanju niz nagibe. Ne idite nizbrdo bez aktivnog stepena prenosa.
- Izbegavajte pokretanje ili zaustavljanje na nagibu. Ne vršite nagle promene brzine ili pravca kretanja. Skrećite polako i postepeno.
- Ukoliko pneumatici izgube vučnu snagu, deaktivirajte noževe i nastavite polako pravo niz nagib.
- Budite posebno pažljivi prilikom korišćenja proizvoda sa hvatačem trave i drugim dodacima. Oni mogu da utiču na stabilnost proizvoda.
- Košenje trave na nagibima povećava opasnost od gubitka kontrole i preturanja proizvoda. To može da izazove povredu ili smrt. Potrebno je pažljivo kositi travu na svim nagibima. Ako ne možete da vozite unazad uz nagib ili se ne osećate bezbedno, nemojte da kosite.
- Uklonite kamenje, grane i druge prepreke.
- Kosite travu uz i niz nagib, a ne popreko.
- Ne koristite proizvod na tlu sa nagibom od preko 10°.
- Krećite se glatko i polako na nagibima.
- Pazite na brazde, rupe i izbočine i ne vozite preko njih. Opasnost od preturanja proizvoda na neravnom tlu je veća nego na ravnom. Visoka trava može da sakrije prepreke.
- Ne kosite travu blizu ivica, jarkova ili obala. Držite se najmanje za jednu širinu mašine dalje od ovih opasnosti. Proizvod može naglo da se preturi ako točak pređe preko ivice jakog nagiba ili jarka, ili ako se ivica odroni.

Bezbednosna uputstva za održavanje



UPOZORENJE: Pročitajte upozoravajuća uputstva koja slede pre korišćenja proizvoda.



UPOZORENJE: Proizvod je težak i može da izazove povredu ili da ošteti imovinu i okolne predmete. Ne vršite održavanje na motoru ili reznoj platformi ako nisu ispunjeni sledeći uslovi:

- Motor je isključen.
- Proizvod je parkiran na ravnoj površini.
- Parkirna kočnica je aktivirana.

- Ključ je u poziciji zaustavljanja i izvađen.
- Noževi su deaktivirani.
- Svi pokretni delovi su zaustavljeni.
- Kablovi za paljenje su uklonjeni sa svećica.



UPOZORENJE: Tečnost koja izbija pod pritiskom često ima dovoljnu snagu da probije kožu i izazove znatne povrede. Ako dođe do prodora tečnosti kroz kožu, odmah zatražite medicinsku pomoć. Držite telo i šake dalje od malih otvora i mlaznica koje izbacuju tečnost pod visokim pritiskom. Ako dođe do curenja, proizvod odmah treba da servisira obučeni tehničar.



UPOZORENJE: Izduvni gasovi iz motora sadrže ugljen-monoksid, otrovan i veoma opasan gas bez mirisa. Proizvod ne sme da radi u zatvorenom prostoru i prostoru sa nedovoljnim protokom vazduha.

- Održavajte proizvod u dobrom radnom stanju. Zamenite istrošene ili oštećene delove.

Budite oprezni pri servisiranju noževa. Obmotajte noževe ili nosite rukavice. Zamenite oštećene noževe. Ne prepravljajte i ne popravljajte noževe.

Ako su priključeni, odvojite žice svećice negativni kabl akumulatora pre vršenja popravki.

Za najbolje radne karakteristike i bezbednost, redovno održavajte proizvod kao što je navedeno u rasporedu održavanja. Pogledajte *Raspored održavanja na stranici 234*.

- Strujni udari mogu da izazovu povrede. Ne dodirujte kablove dok je motor uključen. Ne sprovodite funkcionalni test sistema za paljenje prstima.
- Neka se proizvod ohladi pre vršenja održavanja u blizini motora.
- Noževi su oštri i mogu da uzrokuju posekotine. Kad radite oko noževa, umotajte ih u zaštitni materijal ili nosite zaštitne rukavice.
- Ne vergljajte motor ako su svećica ili kabl za paljenje uklonjeni.
- Uverite se da su svi zavrtnji i navrtke pravilno zategnuti i da je oprema u dobrom stanju.
- Ne menjajte podešavanje regulatora. Ako je brzina motora prevelika, delovi proizvoda mogu da se oštete.
- Proizvod je odobren samo uz opremu koju je obezbedio ili preporučio proizvođač.
- Koristite samo originalne rezervne delove za popravke. Korišćenje drugih delova vam poništava garanciju.

Instalacija

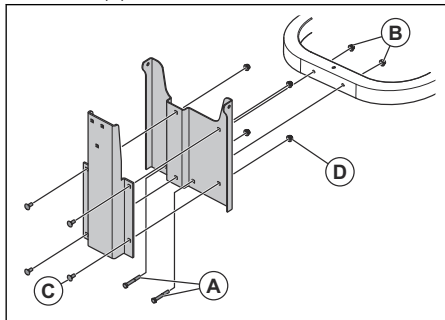
Uvod



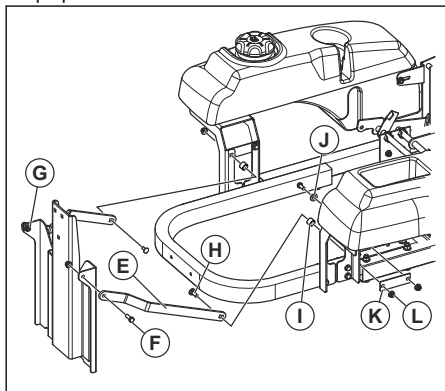
UPOZORENJE: Pre instaliranja proizvoda je potrebno da pročitate i razumete poglavlje o bezbednosti.

Postavljanje držača sakupljača:

1. Postavite osloni nosač na ram pomoću šestougaonih vijaka $2 \times 5/16-18 \times 2-1/4$ (A) i nartki $2 \times 5/16$ (B).



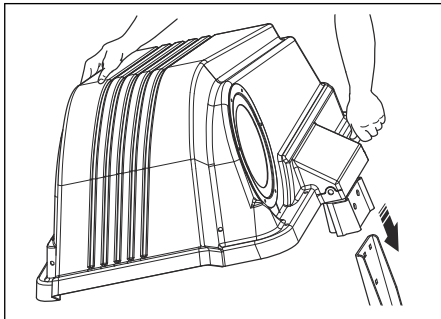
2. Postavite viseći nosač na osloni nosač pomoću nosivih zavrtnja $4 \times 5/16-18 \times 3/4$ (C) i matica $4 \times 5/16$ (D).
3. Postavite kaiševe za potporu na nosač za potporu.



4. Postavite kaiševe (E) na nosilac za potporu pomoću nosača podloške $2 \times 5/16-18 \times 1-1/4$ (F) i navrtke $2 \times 5/16$ (G).
5. Postavite kaiševe na nosač rezervoara pomoću $4 \times 5/16-18 \times 1$ šestougaonih vijaka (H), 2 razdelnika (I), 2 podloške (J), 2 pločice za ojačanje (K) i 4 navrtke $5/16$ (L).

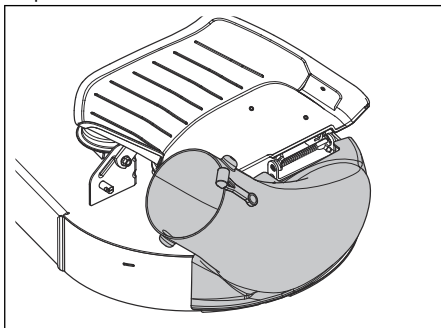
Postavljanje poklopca sakupljača

1. Postavite nosač sakupljača. Pogledajte *Postavljanje držača sakupljača: na stranici 232*.
2. Postavite poklopac sakupljača na nosač sakupljača.



Postavljanje cevi za bočno pražnjenje:

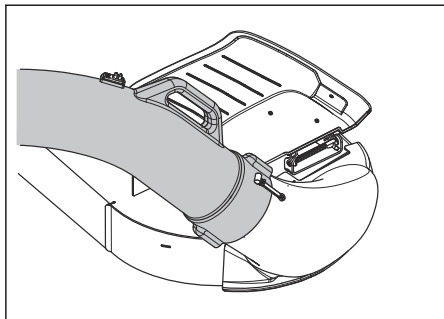
1. Podignite poklopac za bočno pražnjenje.
2. Postavite cevi za bočno pražnjenje oko nosača poklopca.
3. Prikačite reze cevi za bočno pražnjenje na platformu kosačiće.



Postavljanje cevi za sakupljanje

1. Postavite cev za sakupljanje na cev bočnog sakupljača.

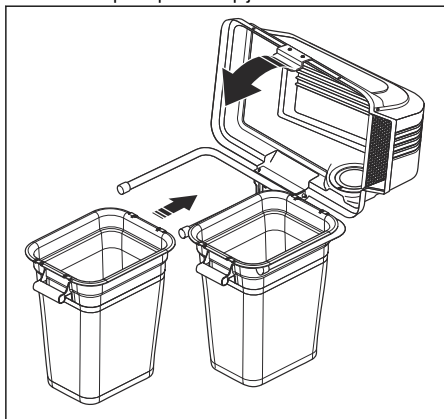
2. Prikačite kaiš.



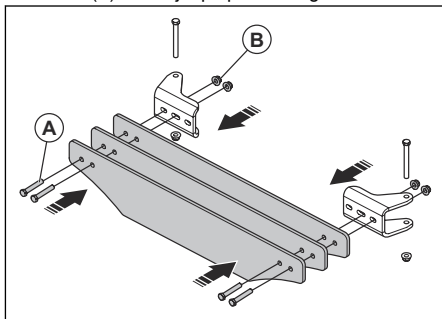
3. Postavite cev za sakupljanje unutar otvora na poklopcu sakupljača.

Postavljanje vreće

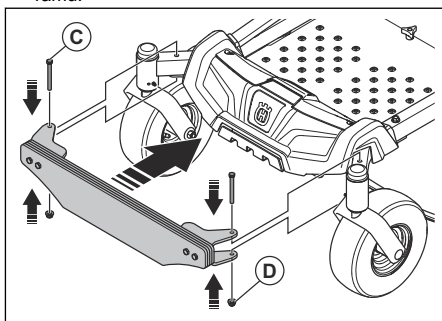
1. Otvorite poklopac sakupljača.
2. Postavite dve vreće na potporni ram.
3. Zatvorite poklopac sakupljača.



1. Postavite prednje tegove na držače pomoću šestouganih vijaka $4 \times 3/8-16 \times 2-1/4$ (A) i navrtke $4 \times 3/8$ (B). Nemojte potpuno zategnuti navrtke.



2. Postavite rupe u nosaču u liniju sa rupama na ramu.



3. Postavite vijke $3/8-16 \times 3-1/2$ (C) i navrtke $3/8$ (D).
4. Zategnite sve navrtke.

Montaža prednjeg tega



UPOZORENJE: Ne smete koristiti sistem za sakupljanje bez prednjeg tega.

Rukovanje

Uvod



UPOZORENJE: Pre rada sa proizvodom, morate pročitati i razumeti poglavlje o bezbednosti.

Rukovanje proizvodom

- Poštujte uputstva za rukovanje u korisničkom uputstvu kosačice.

- Rukujte motorom upunoj brzini kada koristite sistem za sakupljanje.
- Vozite proizvod napredna niskim brzinama kako biste dobili dobre rezultate košenja i sakupljanja.
- Pokosite travu dvaput ukoliko je visoka i gusta. Prvo košenje mora biti na najvišoj visini košenja, a drugo na pravoj visini.
- Levom stranom kosačice kosite blizu predmeta.

- Nemojte da kosite mokar travnjak. Veća je verovatnoća da će se mokra trava zapušiti u sistemu za sakupljanje.
- Ispraznite vrećeza sakupljanje ukoliko sistem za sakupljanje ne skuplja mokru travu. Uverite se da cev za sakupljanje nije zapušena ukoliko se problem ne otkloni kad se vreće isprazne.
- Zaustavite kosačicu i uverite se da sistem za sakupljanje nije oštećen ako udarite u neki predmet.
- Nemojte dozvoliti da se cev za sakupljanje uvije.
- Ne vucite cev za sakupljanje uz strane objekata ili po drugim tvrdim površinama.

Održavanje

Uvod



UPOZORENJE: Pre održavanja morate pročitati i razumeti poglavlje o bezbednosti.

X = Uputstva su data u ovom korisničkom uputstvu.

O = Za uputstva, pogledajte priručnik za motor.

Raspored održavanja za rukovaoca

Raspored održavanja

* = Uputstva nisu data u ovom korisničkom uputstvu.

| Održavanje | Svakodnevno održavanje | Interval održavanja u satima | | |
|--|------------------------|------------------------------|----|----|
| | Pre upotrebe | 5 | 25 | 50 |
| Proverite i očistite vreće za sakupljanje. | X | X | | |
| Uverite se da su vijci i matice zategnuti. | X | | | |
| Uverite se da je cev za sakupljanje zategnuta. | X | | | |
| Očistite proizvod. | | | | X |

Čišćenje proizvoda

- Koristite četku da uklonite neželjeni materijal i travu sa proizvoda.
- Ukoliko je neophodno, koristite perač pod pritiskom i slabi agens za čišćenje. Neka pritisak vode ne prelazi 1000 psi (68,9 bara).

Rešavanje problema

Raspored za traženje kvarova

Ako u korisničkom uputstvu ne možete da nađete rešenje za probleme koje imate, obratite se Husqvarna serviseru.

| Problem | Uzrok |
|---------------------------------------|---|
| Gubitak protoka vazduha. | Zapušena je cev za sakupljanje ili ventil poklopca sakupljača. |
| | Posuda je puna. |
| | Tkanina se zapušila u sakupljaču. |
| Neobične vibracije ili buka. | Tvrđi predmet se zaglavio u sakupljaču. |
| | Neki vijakili matice su olabavili ili isпали. |
| Poklopac sakupljača se teško zatvara. | Predmeti u sakupljaču uzrokuju zapušavanje poklopca sakupljača. |
| | Vijci na šarkama poklopca sakupljača su previše zategnuti. |

Transport, skladištenje i odlaganje

Transport

- Nemojte šlepati proizvod.
- Proizvod je težak i može da povredi prigrbečenjem. Pažljivo utovarajte i istovarajte proizvod sa vozila ili prikolice.
- Kada utovarate proizvod, vozite unazad preko odobrenih rampi radnog ugla ne većeg od 10°. Ne podižite proizvod.
- Koristite odobrenu prikolicu za transport proizvoda.
- Uverite se da poznajete lokalne saobraćajne propise pre transportovanja proizvoda prikolicom i po javnom putu.
- Pričvrstite proizvod odobrenim napravama kao što su kaiševi. Koristite tačke za privezivanje na proizvodu ili druge odgovarajuće delove rama. Parkirna kočnica nije dovoljna za fiksiranje proizvoda tokom transporta.

Skladištenje

Spremite proizvod za skladištenje na kraju sezone i pre skladištenja koje će trajati duže od 30 dana. Ako držite gorivo u rezervoaru 30 i više dana, lepljive čestice mogu da zapuše karburator. Ovo loše utiče na rad motora.

Sprečite nastanak lepljivih čestica tokom skladištenja dodavanjem stabilizatora. Ako koristite alkilatni benzin, stabilizator nije potreban. Ako koristite standardni benzin, ne prelazite na alkilatni benzin. Ovo može da dovede do stvrdnjavanja osetljivih gumenih delova. Dodajte stabilizator gorivu u rezervoaru ili u posudu za skladištenje. Uvek koristite odnos smeše koji preporučuje proizvođač. Dodajte stabilizator i pustite motor da radi najmanje 10 minuta dok gorivo ne proteče u karburator.



UPOZORENJE: Ne držite proizvod sa gorivom u rezervoaru u zatvorenom ili loše provetrenom prostoru. Opasnost od požara ako isparenja goriva dospeju u blizinu otvorenog plamena, varnica i signalnih svetala npr. u bojlerima, rezervoarima vruće vode i sušačima odeće.



UPOZORENJE: Uklonite travu, lišće i druge zapaljive materijale iz proizvoda da biste smanjili opasnost od požara. Sačekajte da se proizvod ohladi pre nego što ga uskladištite.

- Očistite proizvod, pogledajte *Čišćenje proizvoda na stranici 234*.
- Uklonite neželjene materijale iz rashladnog ventilatora.

- Popravite oštećenu boju da biste sprečili koroziju.
- Pregledajte ima li na proizvodu pohabanih i oštećenih delova i pritegnite otpuštene vijke i maticе.
- Uklonite akumulator. Očistite ga i napunite i držite ga na hladnom tokom odlaganja.
- Zamenite motorno ulje i odbacite staro ulje.
- Ispraznite rezervoar za gorivo. Pokrenite motor i pustite ga da radi dok se karburator ne isprazni.

Napomena: Ne praznite rezervoar za gorivo i karburator ako ste dodali stabilizator.

- Uklonite svećice i dospite supenu kašiku motornog ulja u svaki cilindar. Rukom okrenite radilicu da bi se ulje razmazalo i vratite svećice na mesto.
- Podmažite sve mazalice, zglobove i osovine.
- Čuvajte proizvod na suvom i čistom mestu i pokrijte ga radi veće zaštite.

Innehåll

| | | | |
|-------------------|-----|---|-----|
| Introduktion..... | 236 | Underhåll..... | 242 |
| Säkerhet..... | 237 | Felsökning..... | 242 |
| Installation..... | 240 | Transport, förvaring och kassering..... | 242 |
| Drift..... | 241 | | |

Introduktion

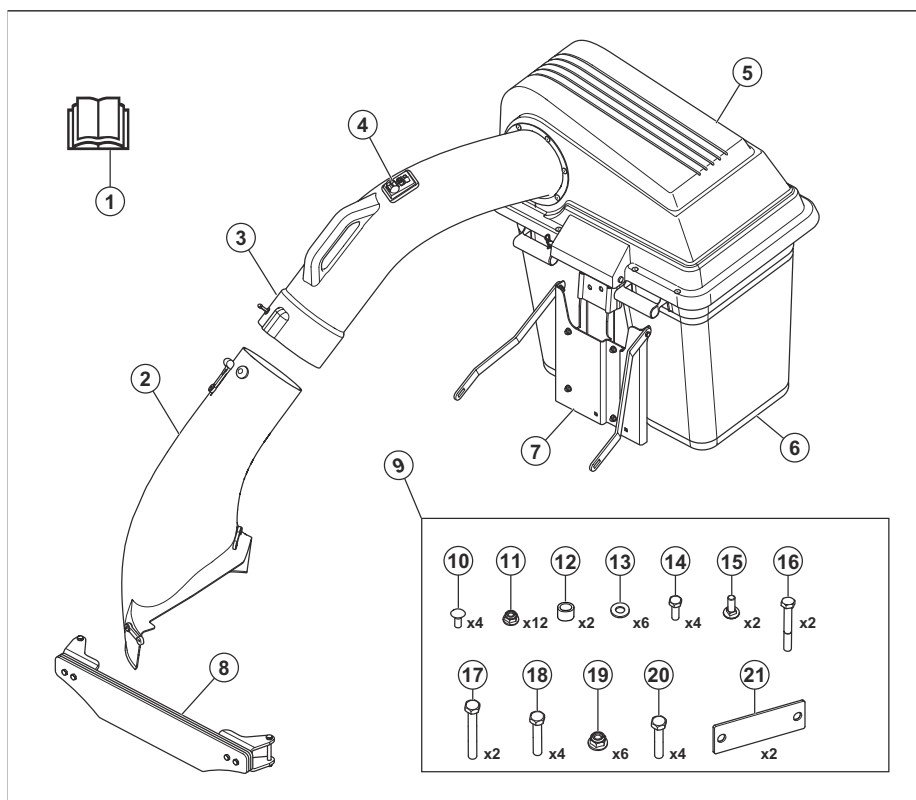
Produktbeskrivning

Den här produkten är ett gräsuppsamlingsystem. Det uppsamlade gräset kan användas som kompost för gräsmatta eller rabatter, eller bortskaffas som trädgårdsavfall.

Avsedd användning

Den här produkten samlar upp gräsrester under klipparbetet för att få gräsmattan att se härligt välskött ut. Använd inte produkten till annat.

Produktöversikt



1. Bruksanvisning
2. Sidoutkastarrör
3. Uppsamlarrör
4. Indikator för full påse
5. Huva
6. Påse

7. Uppsamlarfäste
8. Främre vikt
9. Tillbehörspåse
10. Låsskruv, 5/16-18x3/4
11. Mutter, 5/16
12. Distansbricka

13. Bricka
14. Sexkantsbult, 5/16–18x1
15. Låsskruv, 5/16–18x1–1/4
16. Sexkantsbult, 5/16–18x2–1/4
17. Sexkantsbult, 3/8–16x3–1/2
18. Sexkantsbult, 3/8–16x2–1/2
19. Mutter, 3/8
20. Sexkantsbult, 3/8–16x2–1/4
21. Förstärkningsplåt

- produkten repareras felaktigt
- produkten repareras med delar som inte kommer från tillverkaren eller inte har godkänts av tillverkaren
- produkten har ett tillbehör som inte kommer från tillverkaren eller inte har godkänts av tillverkaren
- produkten inte repareras vid ett godkänt servicecenter eller av en godkänd person.

Produktkada

Vi ansvarar inte för skador på vår produkt om:

Säkerhet

Säkerhetsdefinitioner

Varningar, försiktighetsåtgärder och anmärkningar används för att betona speciellt viktiga delar i bruksanvisningen.



VARNING: Används om det finns risk för skador eller dödsfall för användaren eller kringstående om anvisningarna i bruksanvisningen inte följs.



OBSERVERA: Används om det finns risk för skada på produkten, annat material eller det angränsande området om anvisningarna i bruksanvisningen inte följs.

Notera: Används för att ge mer information som är nödvändig i en viss situation.

Allmänna säkerhetsanvisningar



VARNING: Läs varningsinstruktionerna nedan innan du använder produkten



VARNING: Denna produkt kan skära av händer och fötter samt slunga iväg föremål. Underlåtenhet att följa nedanstående säkerhetsinstruktioner kan resultera i allvarliga eller dödliga skador.



VARNING: Om du inte använder maskinen med stor försiktighet riskerar du att allvarligt skada dig själv eller andra. Ägaren måste förstå dessa instruktioner och får endast låta godkända personer som förstår dessa instruktioner använda gräsklipparen. Var och en som använder gräsklipparen

ska vara frisk till både kropp och förstånd och får inte vara påverkad av medvetandeförändrande substanser.

- Läs, förstå och följ instruktioner och varningar i det här dokumentet, i bruksanvisningen och på produkten, motorn och tillbehören.
- Låt endast ansvariga användare som har rätt utbildning, har god kännedom om instruktionerna och är fysiskt kapabla använda produkten.
- Se till att informera någon om att du ska använda produkten, som säkerhet ifall en skada eller olycka inträffar.
- Transportera inte andra personer och håll personer runt omkring på avstånd.
- Använd inte produkten om du är påverkad av alkohol eller läkemedel.
- Följ tillverkarens rekommendationer när det gäller hjulvikter eller motvikter.
- Lär dig att använda produkten och reglagen på ett säkert sätt samt att stanna produkten snabbt.
- Lär dig att känna igen säkerhetsdekalerna.
- Håll produkten ren för att se till att du tydligt kan läsa skyltar och etiketter.
- Tänk på att användaren kommer att hållas ansvarig för olyckor som involverar andra människor eller deras egendom.
- Använd endast produkten i dagsljus eller under andra väl upplysta förhållanden. Håll produkten på ett säkert avstånd från hål och andra ojämnheter i marken. Håll utkik efter andra tänkbara risker.
- Låt inte barn eller andra personer som inte godkänns för användning av produkten använda eller utföra service på den. Lokala föreskrifter kan reglera användarens ålder.
- Se till att ingen befinner sig nära produkten när du startar motorn, kopplar in drivningen eller börjar köra produkten.
- Håll koll på trafiken när du klipper nära en väg eller kör över en väg.
- Använd inte produkten om du är trött eller om du är påverkad av alkohol, droger, läkemedel eller

något annat som kan ha en negativ inverkan på din syn, ditt omdöme eller din kropps kontroll.

- Parkera alltid produkten på ett jämnt underlag med motorn avstängd.
- Undvik att modifiera eller installera utrustning som inte är standard utan tillverkarens medgivande. Modifieringar av enheten kan innebära fara vid användning eller skada på enheten.

Säkerhetsinstruktioner gällande barn



WARNING: Barn kan få allvarliga eller livshotande skador av denna produkt. Läs varningsinstruktionerna nedan innan du använder produkten. Håll barn på avstånd.

- Tragiska olyckor kan bli följderna om användaren inte är uppmärksam på barn i närheten. Barn lockas ofta till produkten och gräsklippningen. Utgå aldrig från att barn stannar kvar där du senast såg dem.
- Håll barn borta från arbetsområdet och se till att en vuxen person, inte användaren, håller dem under uppsikt.
- Var på din vakt och stoppa genast produkten om barn kommer in i arbetsområdet. Var väldigt försiktig i närheten av hörn, buskar, träd eller andra föremål som skymmer sikten.
- Var oerhört försiktig när du närmar dig hörn med skymd sikt, buskar, träd eller andra föremål som kan göra att du inte har full uppsikt över eventuella barn i närheten.
- Innan och medan du flyttar produkten bakåt ska du titta bakom dig och nedåt efter små barn.
- Låt inte barn använda produkten.
- American Academy of Pediatrics rekommenderar att barn är minst 16 år när de börjar använda åkgräsklippare.
- Låt inte barn åka med på maskinen, inte ens när knivarna är avstängda. Barn kan falla av och skada sig allvarligt eller störa dig i hanteringen av produkten. Barn som tidigare har fått åka med kan plötsligt dyka upp i arbetsområdet för en ny åktur och det kan då hända att du kör eller backar på dem.

Säkerhetsinstruktioner för drift



WARNING: Läs varningsinstruktionerna nedan innan du använder produkten.

- Använd inte gräsklipparen om uppsamlaren inte är helt installerad.
- Använd inte gräsklipparen med uppsamlingssystemet om de främre vikterna inte är installerade.
- Se till att alla rörliga delar har stannat innan du öppnar uppsamlingssystemet.

- Se till att alla rörliga delar har stannat innan du tar bort gräs som har fastnat i uppsamlingssystemet.
- Rensa området från föremål som stenar, leksaker, trådar osv. som kan fångas upp av knivarna och slungas iväg.
- Produkten får endast användas av vuxna personer.
- Se till att inga personer eller husdjur befinner sig i området innan du börjar klippa. Stoppa produkten om någon beträder området.
- Sänk hastigheten innan du svänger.
- Sänk hastigheten innan du kör runt hörn.
- Koppla alltid ur knivarna när produkten inte klipper.
- Stäng uppsamlarkåpan innan du startar produkten.
- Koppla alltid ur knivarna när du flyttar produkten över områden där utslungade föremål kan vara farliga.
- Försök inte att samla upp föremål som kan slungas ut från uppsamlingssystemet.
- Använd alltid ögonskydd när du använder produkten. Utslungade föremål kan skada ögonen.
- Se till att gräsuppsamlarna är tomma efter varje användning och före förvaring. Gräs som lämnas kvar i uppsamlarna kan orsaka självantändning vilket kan leda till brand.
- Statistiken visar att användare över 60 års ålder är inblandade i en stor andel olycksfall som är relaterade till åkgräsklippare. Dessa användare måste bedöma sin förmåga att använda åkgräsklipparen på ett tillräckligt säkert sätt för att skydda sig själva och andra mot skador.

Säkerhetsinstruktioner inför installation av uppsamlingssystemet



WARNING: Läs varningsinstruktionerna nedan innan du använder produkten.

- Parkera produkten på plan mark.
- Aktivera parkeringsbromsen.
- Ställ styrspekarna i neutraläge.
- Stoppa motorn och ta ur tändningsnyckeln.
- Se till att alla rörliga delar har stannat innan du installerar uppsamlingssystemet.

Säkerhetsinstruktioner för användning i lutningar



WARNING: Läs varningsinstruktionerna nedan innan du använder produkten.

Lutningar är en vanligt förekommande faktor vid olyckor. Gräsklippning i lutningar kräver extra försiktighet.

- Kör i tillverkarens rekommenderade riktning i lutningar. Var försiktig vid arbete nära branter.
- Undvik att klippa vått gräs. Däckens dragkraft kan förloras.
- Använd inte produkten under några förhållanden där markfäste, styrning eller stabilitet kan ifrågasättas. Däcken kan glida även om hjulen står stilla.
- Ha alltid en växel ilagd när du kör nedför lutningar. Rulla inte i nedförsbacke.
- Undvik att starta och stanna i lutningar. Gör inga plötsliga ändringar av hastighet eller riktning. Sväng långsamt och gradvis.
- Om däckens dragkraft minskar ska du koppla ur knivarna och fortsätta långsamt rakt nedför slutningen.
- Var extra försiktig när du använder en produkt med gräsuppsamlare eller andra tillbehör. De kan påverka produktens stabilitet.
- Att klippa gräset i lutningar ökar risken för att du inte har kontroll över produkten och för att den välter. Detta kan orsaka skador eller dödsfall. Du måste klippa gräset försiktigt i alla lutningar. Om du inte kan backa uppför en lutning eller om du inte känner dig säker ska du låta bli att klippa den.
- Ta bort stenar, grenar och andra hinder.
- Klipp gräset i lutningen uppåt och nedåt, inte från sida till sida.
- Använd inte produkten i terräng som lutar mer än 10°.
- Kör mjukt och långsamt i lutningar.
- Håll utkik efter och kör inte över fårar, gropar och upphöjningar. Det är större risk att produkten välter på mark som inte är plan. Långt gräs kan dölja hinder.
- Klipp inte gräs nära kanter, diken eller bankar. Håll minst en maskinbredds avstånd från dessa faror. Produkten kan plötsligt välta om ett hjul kommer över kanten av ett stup eller ett dike, eller om en kant ger vika.

Säkerhetsinstruktioner för underhåll



WARNING: Läs varningsinstruktionerna nedan innan du använder produkten.



WARNING: Produkten är tung och kan orsaka personskador eller skador på egendom eller det angränsande området. Utför bara underhåll av motorn eller klippaggregatet när följande uppfylls:

- Motorn är avstängd.

- Produkten är parkerad på en plan yta.
- Parkeringsbromsen är ilagd.
- Tändningsnyckeln i stoppläge och borttagen.
- Knivarna är frikopplade.
- Alla rörliga delar har stannat.
- Tändkablar har tagits av från tändstiften.



WARNING: Vätska som tränger ut under tryck kan ha tillräcklig kraft för att tränga igenom huden och orsaka allvarliga skador. Om vätska tränger in i huden ska du omedelbart uppsöka läkare. Håll kropp och händer borta från sprinthål eller munstycken som sprutar ut vätska under högt tryck. Om en läcka uppstår ska service utföras omedelbart av en utbildad tekniker.



WARNING: Motorns avgaser innehåller kolmonoxid, en luktlös, giftig och mycket farlig gas. Använd inte produkten i slutna utrymmen eller utrymmen utan tillräckligt luftflöde.

- Håll produkten i fullgott och funktionsdugligt skick. Byt ut utslitna eller skadade delar.

Var försiktig vid service på knivarna. Linda in knivarna eller använd handskar. Byt ut skadade knivar. Reparera och modifiera inte knivarna.

Koppla i förekommande fall bort tändstiftskablar och den negativa batterikabeln före eventuella reparationer.

För bästa prestanda och säkerhet ska du utföra underhåll på produkten regelbundet så som anges i underhållsschemat. Se *Underhållsschema på sida 242*.

- Elektriska stötar kan orsaka skador. Rör inte vid kablar när motorn är igång. Försök inte utföra ett funktionstest på tändsystemet med fingrarna.
- Låt produkten svalna innan du utför underhåll nära motorn.
- Knivarna är vassa och kan ge skärskadur. Vira skydd runt knivarna eller använd skyddshandskar när du arbetar med knivarna.
- Dra ej runt motorn med borttaget tändstift eller lossad tändkabel.
- Se till att alla bultar och muttrar är ordentligt åtdragna och att utrustningen är i gott skick.
- Ändra inte regulatorinställningen. Om motorns varvtal är för högt kan produktens komponenter skadas.
- Produkten är endast godkänd med av tillverkaren levererad eller rekommenderad utrustning.

- Använd endast originalreservdelar vid reparation. Om andra delar används, upphör garantin att gälla.

Installation

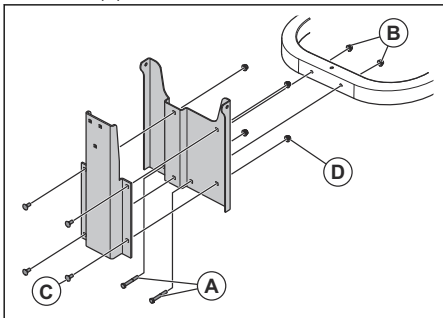
Introduktion



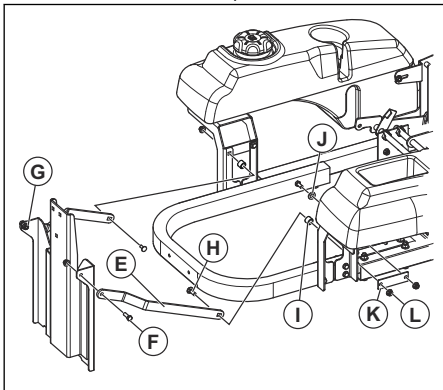
WARNING: Läs och förstå säkerhetskapitlet innan du installerar produkten.

Montera uppsamlarfästet

1. Montera stödfästet på ramen med 2 st. 5/16–18x2–1/4 sexkantsbultar (A) och 2 st. 5/16 muttrar (B).



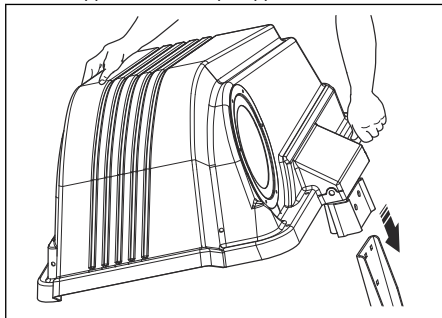
2. Montera hängfästet på stödfästet med 4 st. 5/16–18x3/4 lässkruvar (C) och 4 st. 5/16 muttrar (D).
3. Montera stödremmarna på stödfästet.



4. Montera remmarna (E) på stödfästet med 2 st. 5/16–18x1–1/4 lässkruvar (F) och 2 st. 5/16 muttrar (G).
5. Montera remmarna på tankfästena med 4 st. 5/16–18x1 sexkantsbultar (H), 2 st. distansbrickor (I), 2 st. brickor (J), 2 st. förstärkningsplåtar (K) och 4 st. 5/16 muttrar (L).

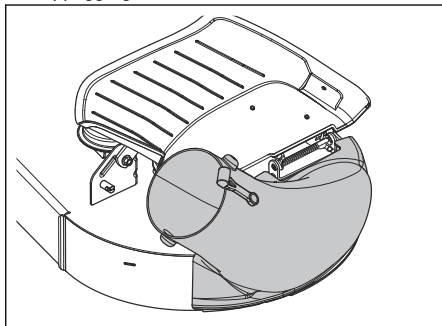
Montera uppsamlarhuv

1. Montera uppsamlarfästet. Se *Montera uppsamlarfästet på sida 240*.
2. Sätt uppsamlarhuv



Montera sidoutkastarröret

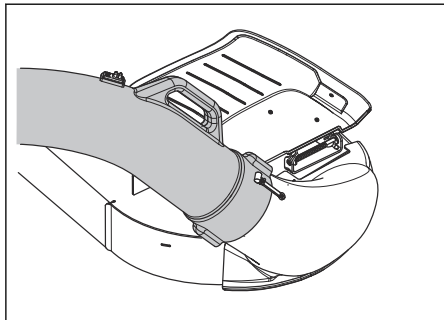
1. Lyft sidoutkastets kåpa.
2. Placera sidoutkastarröret runt kåpans fäste.
3. Fäst sidoutkastarrörets spärrar på klippaggregatet.



Montera uppsamlarröret

1. Placera uppsamlarröret på sidoutkastarröret.

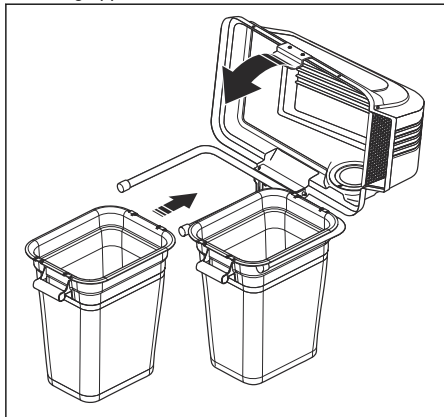
2. Fäst remmen.



3. Placera uppsamlarröret i öppningen på uppsamlarhuv.

Montera påsarna

1. Luta uppsamlarhuv.
2. Sätt de två påsarna på stödramen.
3. Stäng uppsamlarhuv.

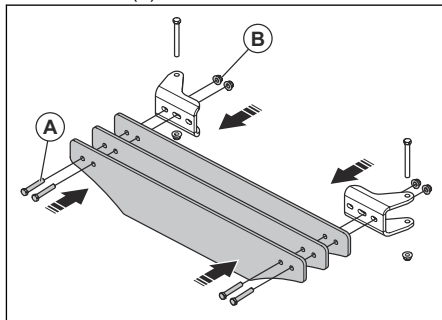


Montera den främre vikten

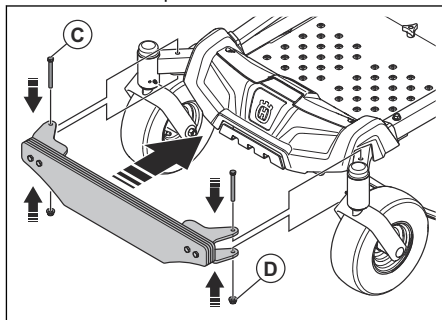


WARNING: Använd inte uppsamlingssystemet utan främre vikter.

1. Montera de främre viktplåtarna på fästena med 4 st. 3/8–16x2–1/4 sexkantsbultar (A) och 4 st. 3/8 muttrar (B). Dra inte åt muttrarna helt.



2. Passa in hålen på fästena med hålen i ramen.



3. Montera 3/8–16x3–1/2 bultar (C) och 3/8 muttrar (D).
4. Dra åt alla muttrarna.

Drift

Introduktion



WARNING: Innan du använder produkten måste du läsa igenom och förstå kapitlet om säkerhet.

Använda produkten

- Följ instruktionerna i gräsklipparens bruksanvisning.
- Kör motorn på full hastighet när du använder uppsamlingssystemet.
- Skjut produkten framåt i låg hastighet för att få ett bra klipp- och uppsamlingsresultat.
- Klipp gräset två gånger om det är högt och tjockt. Den första klippomgången måste göras med högsta möjliga klipphöjd och den andra omgången med önskad klipphöjd.
- Använd vänster sida av gräsklipparen när du klipper nära föremål.
- Klipp inte en våt gräsmatta. Risken är större att vått gräs täpper till uppsamlingssystemet.
- Töm uppsamlarna om uppsamlingssystemet inte samlar upp gräsklippen. Kontrollera att uppsamlarröret inte är igensatt om problemet kvarstår när uppsamlarna är tomma.
- Stanna gräsklipparen och se till att uppsamlingssystemet inte har skadats om du slår i ett löst föremål.
- Förhindra att uppsamlarröret vrids.

- Dra inte uppsamlarröret längs med sidan av byggnader eller andra hårda ytor.

Underhåll

Introduktion



VARNING: Innan du utför något underhållsarbete måste du läsa och förstå kapitlet om säkerhet.

X = Instruktionerna ges i denna bruksanvisning.

O = Se instruktioner i motorhandboken.

Underhållsschema för användaren

Underhållsschema

* = Instruktionerna ges inte i denna bruksanvisning.

| Underhåll | Dagligt underhåll | Underhållsintervall i timmar | | |
|---|-------------------|------------------------------|----|----|
| | Före användning | 5 | 25 | 50 |
| Kontrollera och rengör uppsamlarna. | X | X | | |
| Se till att skruvar och muttrar är åtdragna. | X | | | |
| Se till att uppsamlarröret sitter ordentligt. | X | | | |
| Rengör produkten. | | | | X |

Rengöra produkten

- Använd en borste för att avlägsna önskat material och gräs från produkten.

- Om det behövs kan du använda högtrycksvätt och ett mildt rengöringsmedel. Använd ett vattentryck som inte överskrider 1 000 PSI (68,9 bar) vid rengöring.

Felsökning

Felsökningsschema

Om du inte hittar en lösning på ditt problem i den här användarhandboken ska du tala med din Husqvarna-serviceverkstad.

| Problem | Orsak |
|------------------------------------|--|
| Förlust av luftflöde. | Uppsamlarröret eller inloppet till uppsamlarkåpan är igensatt. |
| | Behållaren är full. |
| | Tyget i uppsamlaren är igensatt. |
| Onormala vibrationer eller buller. | Det finns ett fast föremål i uppsamlaren. |
| | Lösa eller saknade skruvar eller muttrar. |
| Uppsamlarkåpan är svår att stänga. | Föremål i uppsamlaren blockerar uppsamlarkåpan. |
| | Uppsamlarkåpan gångjärnsskruvar är för hårt åtdragna. |

Transport, förvaring och kassering

Transport

- Bogsera inte produkten.

- Produkten är tung och kan orsaka krosskador. Var försiktig när du lastar den på eller av en bil eller ett släp.

- Lasta produkten bakåt på godkända ramper med en maximal arbetsvinkel på 10°. Lyft inte produkten.
- Använd ett godkänt släp för transport av produkten.
- Kontrollera att du har kunskaper om lokala vägtrafikbestämmelser före transport av produkten på ett släp eller på vägar.
- Lås produkten med godkända anordningar, t.ex. remmar. Använd förankringspunkter på produkten eller lämpliga områden på ramen. Parkeringsbromsen räcker inte för att låsa fast produkten vid transport.

Lagerförvaring

Förbered produkten för förvaring i slutet av säsongen och innan mer än 30 dagars förvaring. Om bränsle får ligga i bränsletanken under mer än på 30 dagar kan klibbiga partiklar blockera förgasaren. Det påverkar motorns funktion negativt.

För att undvika klibbiga partiklar under förvaring ska du tillsätta en stabilisator. Om alkylatbensin används behövs ingen stabilisator. Om du använder vanlig bensin ska du inte ändra till alkylatbensin. Det kan göra så att känsliga gummidetaljer blir hårda. Tillsätt stabilisator till bränslet i bränsletanken eller i den behållare som används för förvaring. Använd alltid det blandningsförhållande som anges av tillverkaren. Tillsätt stabilisatorn och kör motorn i minst tio minuter tills bränslet rinner in i förgasaren.



VARNING: Förvara inte produkten med bränsle i tanken inomhus eller på platser med dåligt luftflöde. Det finns risk för brand om bränsleångor kommer i kontakt med öppen eld, gnistor eller en pilotlåga, som i en värmepanna, varmvattentankar, torktumlare osv.



VARNING: Ta bort gräs, löv och annat lättantändligt material från produkten för att minska risken för brand. Låt produkten svalna innan du lämnar den i förvaring.

- Rengör produkten, se *Rengöra produkten på sida 242*.
- Ta bort oönskat material från kylfläkten.
- Reparera eventuella lackskador för att undvika korrosion.
- Inspektera produkten med avseende på slitna eller skadade delar och dra åt eventuella lösa skruvar och muttrar.
- Demontera batteriet. Rengör, ladda och förvara det svalt.
- Byt motorolja, och kassera spilloljan.
- Töm bränsletanken. Starta motorn och kör den tills det inte finns något kvarvarande bränsle i förgasaren.

Notera: Töm inte bränsletanken och förgasaren om du har tillsatt en stabilisator.

- Ta bort pluggarna och håll cirka en matsked motorolja i varje cylinder. Dra runt motorn manuellt för att fördela oljan, och sätt tillbaka pluggarna.
- Smörj alla smörjnipplar, leder och axlar.
- Förvara produkten på en ren och torr plats och täck över den för mer skydd.

İçindekiler

| | | | |
|---------------|-----|-------------------------------|-----|
| Giriş..... | 244 | Bakım..... | 250 |
| Güvenlik..... | 245 | Sorun giderme..... | 250 |
| Kurulum..... | 248 | Taşıma, depolama ve atma..... | 251 |
| Çalışma..... | 249 | | |

Giriş

Ürün açıklaması

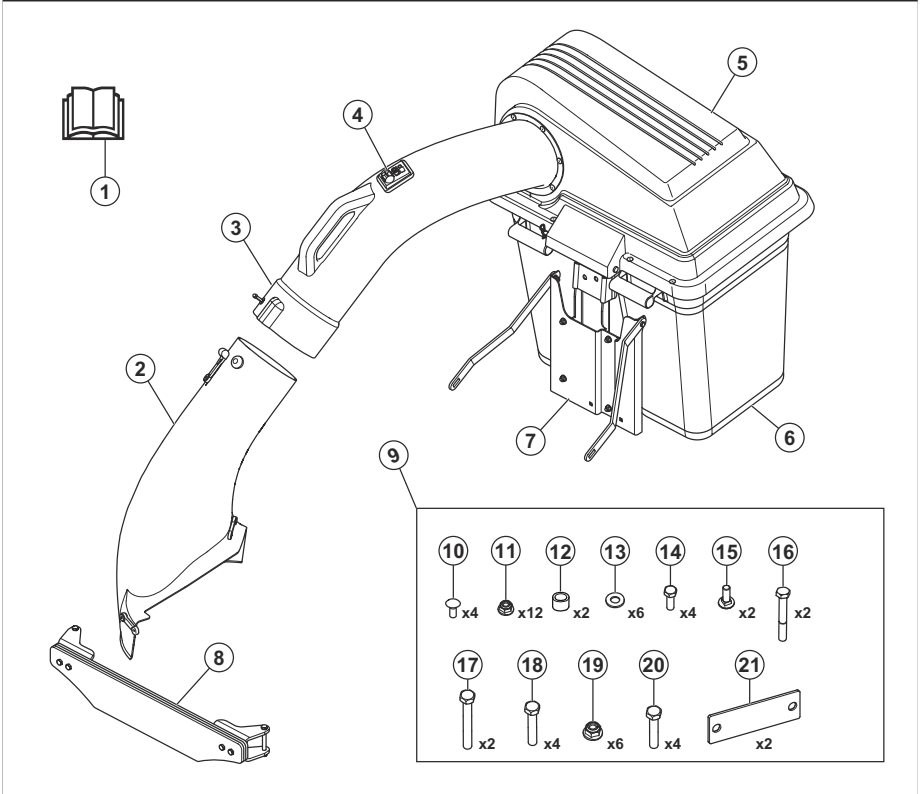
Bu ürün bir çim toplama sistemidir. Toplanan çimler, çim veya bitki tarhları için gübre olarak kullanılabilir veya bahçe atığı olarak atılabilir.

kazandırmak amacıyla tasarlanmıştır. Ürünü başka işler için kullanmayın.

Kullanım amacı

Bu ürün çim biçme işlemi sırasında çim kırpıntılarını toplayarak çim alanınıza bakımlı bir görünüm

Ürüne genel bakış



1. Kullanım kılavuzu
2. Yandan boşaltma borusu
3. Toplayıcı borusu

4. Dolu torba göstergesi
5. Kapak
6. Torba

7. Toplayıcı braket
8. Ön ağırlık
9. Donanım çantası
10. Kasa civatası, 5/16-18x3/4
11. Somun, 5/16
12. Ara parça
13. Pul
14. Altıgen civata, 5/16-18x1
15. Kasa civatası, 5/16-18x1-1/4
16. Altıgen civata, 5/16-18x2-1/4
17. Altıgen civata, 3/8-16x3-1/2
18. Altıgen civata, 3/8-16x2-1/2
19. Somun, 3/8
20. Altıgen civata, 3/8-16x2-1/4

21. Takviye plakası

Üründe oluşabilecek hasarlar

Aşağıdaki durumlarda ürünümüzde oluşabilecek hasarlardan sorumlu olmayız:

- ürünün hatalı bir şekilde onarılması,
- ürünün, üretici tarafından onaylanmayan veya üreticiden alınmayan parçalarla tamir edilmesi,
- üründe, üreticiden alınmayan veya üretici tarafından onaylanmayan bir aksesuar bulunması,
- ürünün, onaylı bir servis merkezinde veya yetkili bir kurum tarafından tamir edilmemesi.

Güvenlik

Güvenlik tanımları

Kılavuzdaki önemli kısımları vurgulamak için uyarılar ve notlar kullanılmıştır.



UYARI: Kılavuzdaki talimatlara uyulmadığı takdirde operatör veya çevredeki kişiler için ciddi yaralanma veya ölüm tehlikesi varsa kullanılır.



DİKKAT: Kılavuzdaki talimatlara uyulmadığı takdirde ürünün, diğer malzemelerin veya çevrenin zarar görme riski olduğunda kullanılır.

Not: Belirli bir durumda bilgi verilmesi gerektiğinde kullanılır.

Genel güvenlik talimatları



UYARI: Ürünü kullanmadan önce aşağıdaki uyarı talimatlarını okuyun



UYARI: Bu ürün el ve ayakları kesebilir ve nesnelere fırlatabilir. Aşağıdaki güvenlik talimatlarına uyulmaması ciddi yaralanma veya ölümle sonuçlanabilir.



UYARI: Dikkatli kullanma uygulamalarına uyulmaması operatörün veya diğer kişilerin tehlikeli şekilde yaralanmasına neden olabilir. Makinenin sahibi bu talimatları anlamalı ve çim biçme makinesini yalnızca bu talimatları anlamış onaylı kişilerin çalıştırmasına izin vermelidir. Çim biçme makinesini kullanan her kişi sağlıklı bir zihne ve

bedene sahip olmalı ve çarpık algılara neden olan maddelerin etkisi altında olmamalıdır.

- Bu belgedeki, kullanım kılavuzundaki ve ürün, motor ile ataşmanlardaki talimatları ve uyarıları okuyun, anlayın ve bunlara uyun.
- Yalnızca sorumlu, eğitilmiş, talimatları bilen ve ürünü fiziksel olarak kullanabilecek operatörlere izin verin.
- Bir yaralanma veya kaza oluşması durumuna karşılık ürünü kullanacağınızı birine bildirin.
- Yolcu taşımayın ve etraftaki kişileri uzak tutun.
- Ürünü alkol veya uyuşturucu etkisi altındayken kullanmayın.
- Tekerek ağırlıkları veya dengeleme ağırlıkları için üreticinin önerilerine uyun.
- Ürünü ve kontrollerini nasıl güvenli şekilde kullanacağınızı ve ürünü nasıl hızlı şekilde durduracağınızı öğrenin.
- Güvenlik etiketlerini nasıl tanıyacağınızı öğrenin.
- İşaretlerin ve etiketlerin net şekilde okunduğundan emin olmak için ürünü temiz tutun.
- Diğer kişilerin veya eşyalarının karıştığı kazalardan operatörün sorumlu tutulacağını unutmayın.
- Ürünü yalnızca gün ışığında veya diğer iyi aydınlatılmış koşullarda kullanın. Ürün zemindeki deliklerden veya diğer bozulmuş alanlardan güvenli bir mesafede tutun. Diğer olası risklere karşı dikkatli olun.
- Ürünü kullanma yetkisi olmayan çocukların veya diğer kişilerin ürünü kullanmasına veya ürün üzerinde bakım yapmasına izin vermeyin. Kullanıcı yaşı yerel yönetmelikler tarafından düzenlenebilir.
- Motoru çalıştırırken, tahriki devreye sokarken veya ürünü hareket ettirmeye başlarken ürünün yakınında başka kimsenin olmadığından emin olun.

- Yola yakın çim biçerken veya karşıdan karşıya geçerken trafiğe dikkat edin.
- Ürünü yorgunken ya da alkol, uyuşturucu veya ilaç gibi görüşünüzü, dikkatinizi, koordinasyonunuzu veya doğru düşünmenizi olumsuz yönde etkileyebilecek bir madde etkisi altındayken kullanmayın.
- Ürünü her zaman motor durdurulmuş olarak düz bir zemine park edin.
- Üreticinin onayı olmadan ünite üzerinde değişiklik yapmayın veya üniteye standart olmayan ekipman takmayın. Üniteye yapılacak değişiklikler güvenli olmayan işlemlere veya üniteye hasara neden olabilir.

Çocuklara ilişkin güvenlik talimatları



UYARI: Bu ürün çocukların ciddi şekilde yaralanmasına veya ölümüne neden olabilir. Ürünü kullanmadan önce aşağıdaki uyarı talimatlarını okuyun. Çocukları uzak tutun.

- Operatör bölgede çocukların olduğuna dikkat etmezse trajik kazalar yaşanabilir. Ürün ve çim biçme işi genellikle çocukların ilgisini çeker. Hiçbir zaman çocukların son gördüğünüz yerde duracağını varsayarak hareket etmeyin.
- Çocukları çalışma alanından uzak ve operatör haricinde sorumlu bir yetişkinin gözetimi altında tutun.
- Tetikle olun ve çocuklar çalışma alanına girerse ürünü derhal durdurun. Köşelerin, çalılıarın, ağaçların ve görüşünüzü engelleyen diğer nesnelere yakınında çim biçerken çok dikkatli olun.
- Kör noktadaki köşelere, çalılara, ağaçlara veya bir çocuğu görmenizi engelleyebilecek diğer nesnelere yaklaşırken son derece dikkatli olun.
- Ürünü geriye doğru hareket ettirmeden önce ve hareket ettiren hem arkanıza hem de küçük çocukları kontrol etmek için aşağıya bakın.
- Çocukların ürünü kullanmasına izin vermeyin.
- Amerikan Pediatri Akademisi, çocukların binilebilir çim biçme makinesini kullanmak için en az 16 yaşında olmalarını önermektedir.
- Bıçaklar kapalı olsa bile çocukları makineyle taşımayın. Çocuklar düşüp ciddi şekilde yaralanabilir veya ürünün güvenli çalışmasını engelleyebilir. Geçmişte binmelerine izin verilen çocuklar bir daha binmek için aniden çim biçme alanına girebilir ve ürünün ileri veya geri hareketi sırasında ezilebilirler.

Kullanıma yönelik güvenlik talimatları



UYARI: Ürünü kullanmadan önce aşağıdaki uyarı talimatlarını okuyun.

- Toplayıcı tam olarak takılmamışsa çim biçme makinesini çalıştırmayın.

- Ön ağırlıklar takılı değilse çim biçme makinesini toplama sistemi ile kullanmayın.
- Toplama sistemini açmadan önce tüm hareketli parçaların durduğundan emin olun.
- Toplama sisteminden tıkanmış çimler çıkarmadan önce tüm hareketli parçaların durduğundan emin olun.
- Bıçaklara takılıp fırlatılabilecek taş, oyuncak, tel gibi nesnelere alandan kaldırın.
- Ürünü yalnızca sorumlu yetişkinlerin kullanmasına izin verin.
- Çim biçmeden önce alanda insan ve evcil hayvan bulunmadığından emin olun. Alana birisi girerse ürünü durdurun.
- Dönmeden önce hızı düşürün.
- Bir köşeyi dönmeden önce hızı düşürün.
- Ürün çim biçmediğinde bıçakları devre dışı bırakın.
- Ürünü çalıştırmadan önce toplayıcı kapağını kapatın.
- Ürünü, fırlayan nesnelere tehlike yaratabileceği alanlarda hareket ettirirken çim biçme makinesi bıçaklarını devre dışı bırakın.
- Toplama sisteminin fırlatabilecek nesnelere toplama çalışmayın.
- Ürünü kullanırken koruyucu gözlük kullanın. Fırlatılan nesnelere göze zarar verebilir.
- Her kullanımdan sonra ve depolamadan önce toplama torbalarının boş olduğundan emin olun. Toplama torbalarında kalan çimler kendiliğinden yanmaya neden olabilir ve yangın başlatabilir.
- Veriler, 60 yaş ve üstü operatörlerin binilebilir çim biçme makinesiyle ilgili yaralanmalarda büyük oranda rol oynadığını göstermektedir. Bu operatörler, kendilerini ve başkalarını yaralanmalardan korumak için binilebilir çim biçme makinesini yeterince güvenli şekilde kullanıp kullanmayacaklarını değerlendirmelidir.

Toplama sistemini takmadan öncesi için güvenlik talimatları



UYARI: Ürünü kullanmadan önce aşağıdaki uyarı talimatlarını okuyun.

- Düz bir zemine park edin.
- Park frenini devreye alın.
- Kontrol kollarını boş konuma getirin.
- Motoru durdurun ve kontak anahtarını çıkarın.
- Toplama sistemini takmadan önce tüm hareketli parçaların durduğundan emin olun.

Eğimli yerlerde kullanma için güvenlik talimatları



UYARI: Ürünü kullanmadan önce aşağıdaki uyarı talimatlarını okuyun.

Yokuşlar, kazalar açısından önemli bir faktördür. Yokuşlarda kullanım sırasında çok dikkatli olunmalıdır.

- Yokuşlarda, üretici tarafından önerilen yönde hareket edin. Şarjörün yakınında çalışırken dikkatli olun.
- Islak çimlere biçmekten kaçının. Lastiklerde çekiş kaybı olabilir.
- Çekiş, yönlendirme veya denge konusunda şüpheleriniz olduğunda ürünü çalıştırmayın. Tekerlekler dursa bile lastikler kayabilir.
- Yokuş aşağı inerken ürünü her zaman viteste tutun. Boşta yokuş aşağı inmeyin.
- Yokuşlarda makineyi çalıştırmaktan ve durdurulmaktan kaçının. Hızda veya yönde ani değişiklikler yapmaktan kaçının. Dönüşleri yavaş ve kademeli olarak yapın.
- Lastiklerin çekişi kaybolursa bıçakları devre dışı bırakın ve yavaşça düz bir şekilde yokuş aşağı devam edin.
- Ürünü çim toplama sepeti veya diğer ataşmanlarla birlikte çalıştırırken daha fazla özen gösterin. Bunlar ürünün dengesini etkileyebilir.
- Eğimli yerlerde çim biçmek ürünün kontrolünü kaybetme ve ürünün devrilme riskini artırır. Bu durum yaralanmaya veya ölüme yol açabilir. Tüm eğimlerde dikkatli bir şekilde çim biçilmesi gerekir. Yukarı doğru geri gidemiyorsanız veya bunun güvenli olduğunu hissetmiyorsanız çim biçme işlemine devam etmeyin.
- Taş, dal ve diğer engelleri kaldırın.
- Eğim üzerinde çimi yana doğru değil, aşağı ve yukarı yönde biçin.
- Ürünü 10°'den daha eğimli zeminde kullanmayın.
- Eğimlerde düzgün ve yavaş şekilde hareket edin.
- Saban izi, delik ve tümseklere dikkat edin ve bunlar üzerinde hareket etmeyin. Düz olmayan bir zeminde ürünün devrilme riski daha yüksektir. Uzun çim nesnelere saklayabilir.
- Kenarlar, hendekler veya kıyıların yakınında çim biçmeyin. Bu tehlikeli alanlara en az makinenin genişliği kadar mesafe bırakın. Bir tekerlek dik bir eğimin veya hendeğin kenarına gelirse veya kenar çökerse ürün aniden devrilebilir.

Bakıma yönelik güvenlik talimatları



UYARI: Ürünü kullanmadan önce aşağıdaki uyarı talimatlarını okuyun.



UYARI: Ürün ağırdır, yaralanmalara veya eşyalarda ya da bitişik alanlarda hasara neden olabilir. Aşağıdaki koşullar sağlanmadan motorda veya kesim tablasında bakım yapmayın:

- Motor kapalı.
- Ürün düz bir yüzeye park edilmiş.
- Park freni devrede.

- Kontak anahtarı durdurma konumunda ve çıkarılmış.
- Bıçaklar devre dışı.
- Tüm hareketli parçalar durmuş.
- Ateşleme kabloları bujilerden çıkarılmış.



UYARI: Basınç altında sızan sıvılar cilde nüfuz edecek güce sahip olabilir ve ciddi yaralanmalara neden olabilir. Sıvı cilde enjekte edilirse derhal tıbbi yardım alın. Vücudunuzu ve ellerinizi yüksek basınç altında sıvıyı dışarı atan pim deliklerinden veya nozüllerden uzak tutun. Bir sızıntı meydana gelirse ürünün bakımını derhal eğitim almış bir teknisyene yaptırın.



UYARI: Motordan gelen egzoz dumanında kokusuz, zehirli ve son derece tehlikeli bir gaz olan karbon monoksit bulunur. Ürünü kapalı alanlarda veya yeterli hava akışı olmayan alanlarda çalıştırmayın.

- Ürünü iyi ve çalışır durumda tutun. Aşınmış veya hasarlı parçaları değiştirin.

Bıçaklara bakım yaparken dikkatli olun. Bıçakları sarın veya eldiven giyin. Hasarlı bıçakları değiştirin. Bıçakları onarmayın veya üzerinde değişiklik yapmayın.

Herhangi bir onarım yapmadan önce, varsa buji kablolarını ve negatif akü kablosunu çıkarın.

En iyi performans ve güvenlik için bakım programında belirttiği şekilde üründe düzenli olarak bakım yapın. Bkz. *Bakım takvimi sayfa: 250*.

- Elektrik çarpmaları yaralanmalara neden olabilir. Motor çalışırken kablolarla dokunmayın. Ateşleme sisteminde parmaklarınızla işlev testi yapmayın.
- Motorun yakınında bakım yapmadan önce ürünün soğumasını bekleyin.
- Bıçaklar keskindir ve kesiklere neden olabilir. Bıçaklar üzerinde çalışırken bıçakları sarın veya koruyucu eldiven kullanın.
- Buji veya ateşleme kablosu çıkarılmışsa motoru ters çevirmeyin.
- Tüm somunların ve civataların doğru şekilde sıkıldığından ve ekipmanın iyi durumda olduğundan emin olun.
- Regülatörlerin ayarını değiştirmeyin. Motor devri çok yüksekse ürün bileşenleri hasar görebilir.
- Üründe sadece üretici tarafından sağlanan veya tavsiye edilen ekipmanın kullanılmasına onay verilir.

- Onarımlarda yalnızca orijinal parçalar kullanın. Başka parçaların kullanılması garantiyi geçersiz kılar.

Kurulum

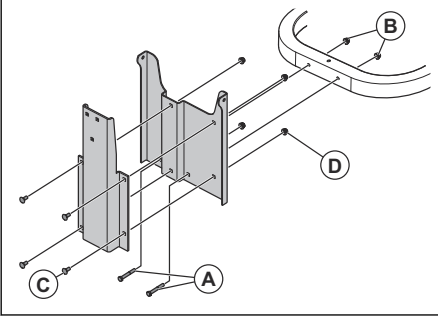
Giriş



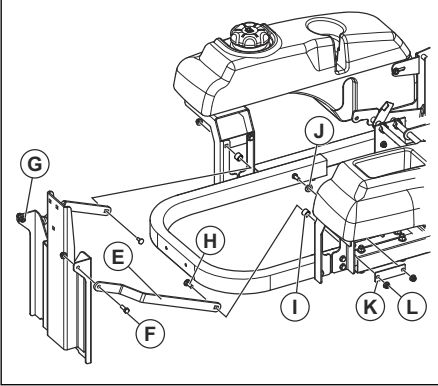
UYARI: Ürünü kurmadan önce güvenlik bölümünü okuyup anlayın.

Toplayıcı braketini takma

1. Destek braketini 2 adet 5/16-18x2-1/4 altıgen cıvata (A) ve 2 adet 5/16 somunla (B) şasiye takın.



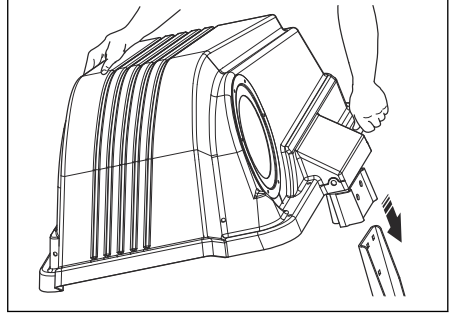
2. Askı braketini 4 adet 5/16-18x3/4 kasa cıvatası (C) ve 4 adet 5/16 somunla (D) destek braketine takın.
3. Destek kayışlarını destek braketine takın.



4. Kayışları (E) destek braketine 2 adet 5/16-18x1-1/4 kasa cıvatası (F) ve 2 adet 5/16 somunla (G) takın.
5. Kayışları 4 adet 5/16-18x1 altıgen cıvata (H), 2 adet ara parça (I), 2 adet pul (J), 2 adet takviye plakası (K) ve 4 adet 5/16 somunla (L) depo braketterine takın.

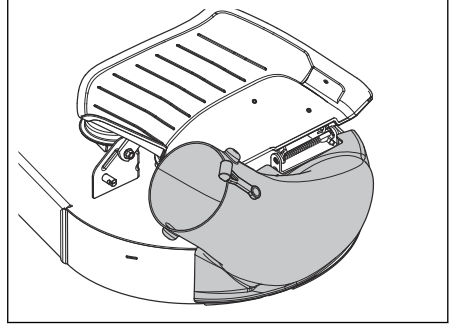
Toplayıcı kapağını takma

1. Toplayıcı braketini takın. Bkz. *Toplayıcı braketini takma sayfa: 248.*
2. Toplayıcı kapağını toplayıcı braketine yerleştirin.



Yandan boşaltma borusunu takma

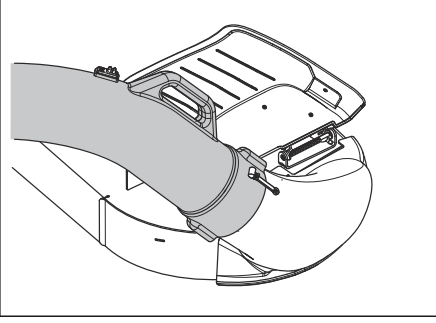
1. Yandan boşaltma kapağını kaldırın.
2. Yandan boşaltma borusunu kapak braketinin etrafına yerleştirin.
3. Yandan boşaltma borusu mandallarını çim biçme makinesi tablasına takın.



Boşaltma borusunu takma

1. Toplama borusunu yandan boşaltma borusuna yerleştirin.

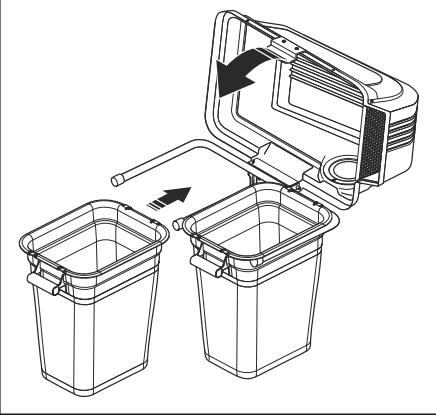
2. Kayışı takın.



3. Toplayıcı borusunu toplayıcı kapağındaki açıklığa yerleştirin.

Torbaları takma

1. Toplayıcı kapağını yatırın.
2. 2 torbayı destek çerçevesine yerleştirin.
3. Toplayıcı kapağını kapatın.

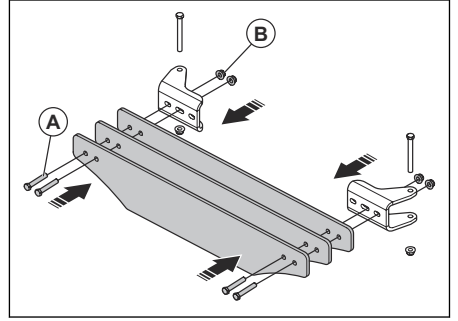


Ön ağırlığı takma

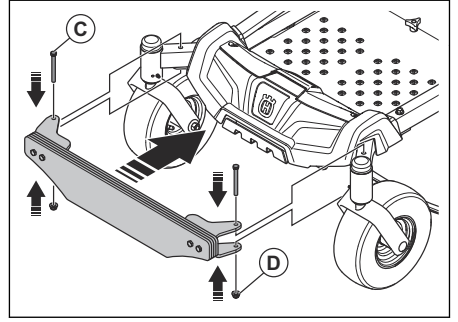


UYARI: Toplama sistemini ön ağırlıklar olmadan kullanmayın.

1. Ön ağırlık plakalarını 4 adet 3/8-16x2-1/4 altıgen cıvata (A) ve 4 adet 3/8 somunla (B) braketlere takın. Somunları tamamen sıkmayın.



2. Braketlerdeki delikleri çerçevedeki deliklerle hizalayın.



3. 3/8-16x3-1/2 cıvataları (C) ve 3/8 somunları (D) takın.
4. Tüm somunları sıkın.

Çalışma

Giriş



UYARI: Ürünü kullanmadan önce güvenlik bölümünü okuyup anlamalısınız.

Ürünü kullanma

- Çim biçme makinesi Kullanım kılavuzundaki kullanım talimatlarına uyun.

- Toplama sistemini kullanırken motoru tam hızda çalıştırın.
- İyi bir kesme ve toplama sonucu elde etmek için ürünü düşük hızda ileri doğru hareket ettirin.
- Çimler yüksek ve kalınsa çimleri 2 kez kesin. İlk kesim en yüksek kesme yüksekliğinde ve ikinci seferde doğru yükseklikte olmalıdır.
- Nesnelerin yakınında kesim yapmak için çim biçme makinesinin sol tarafını kullanın.
- Islak çim alanında çim biçmeyin. Islak çimlerin toplama sisteminde tıkanması daha olasıdır.

- Toplama sistemi kesilen çimleri toplamıyorsa toplama torbalarını boşaltın. Toplama torbaları boşaldığında sorun devam ederse toplama borusunun tıkalı olmadığından emin olun.
- Gevşek bir nesneye çarparsanız çim biçme makinesini durdurun ve toplama sisteminin hasar görmediğinden emin olun.

- Toplayıcı borusunun bükülmesini önleyin.
- Toplayıcı borusunu binaların veya diğer sert yüzeylerin kenarları boyunca sürüklemeyin.

Bakım

Giriş



UYARI: Herhangi bir bakım işlemi yapmadan önce güvenlik bölümünü okuyup anlamalısınız.

X = Talimatlar, bu kullanım kılavuzunda verilmiştir.

O = Talimatlar için motor kılavuzuna başvurun.

Operatör için bakım programı

Bakım takvimi

* = Talimatlar, bu kullanım kılavuzunda verilmemiştir.

| Bakım | Günlük bakım | Saat cinsinden bakım aralığı | | |
|---|------------------|------------------------------|----|----|
| | Kullanmadan önce | 5 | 25 | 50 |
| Toplama torbalarını kontrol edin ve temizleyin. | X | X | | |
| Somun ve vidaların sıkı olduğundan emin olun. | X | | | |
| Toplayıcı borusunun sıkı olduğundan emin olun. | X | | | |
| Ürünü temizleyin. | | | | X |

Ürünü temizleme

- Üründeki istenmeyen malzemeleri ve çimi temizlemek için bir fırça kullanın.

- Gerekirse yüksek basınçlı yıkayıcı ve yumuşak bir temizlik maddesi kullanın. 1000 psi (68,9 Bar) su basıncını aşmayın.

Sorun giderme

Sorun giderme programı

Bu kullanım kılavuzunda sorunlarınız için çözüm bulamazsanız Husqvarna servis nokتانızla görüşün.

| Sorun | Neden |
|------------------------------------|--|
| Hava akışı kaybı. | Toplayıcı borusu veya toplayıcı kapağı girişi tıkalıdır. |
| | Kap doludur. |
| | Toplayıcıdaki kumaş tıkalıdır. |
| Alışılmadık titreşim veya gürültü. | Toplayıcıda katı bir nesne vardır. |
| | Gevşek veya eksik vida veya somunlar vardır. |
| Toplayıcı kapağı zor kapatılıyor. | Toplayıcıdaki nesnelere toplayıcı kapağında tıkanmaya neden oluyordur. |
| | Toplayıcı kapağı menteşe vidaları çok sıkıdır. |

Taşıma, depolama ve atma

Taşıma

- Ürünü çekmeyin.
- Ürün ağırdır ve ezilme nedeniyle yaralanmalara neden olabilir. Ürünü bir araca veya römorkta yüklerken ya da araçtan veya römorktan indirirken dikkatli olun.
- Ürünü, maksimum 10° çalışma açısı olan onaylanmış rampalara ters olarak yükleyin. Ürünü kaldırmayın.
- Ürünün taşınması için onaylı bir römork kullanın.
- Ürünü bir römorkta veya yolda taşımadan önce yerel trafik düzenlemelerine dair bilginiz olduğundan emin olun.
- Ürünü kayış gibi onaylı cihazlarla kilitleyin. Ürün üzerinde veya çerçevenin ilgili alanlarında bulunan bağlama noktalarını kullanın. Taşıma sırasında ürünü kilitlemek için park freni yeterli değildir.

Saklama

Ürünü sezon sonunda saklamak üzere ve 30 günden fazla saklama öncesinde hazırlayın. Yakıt tankında 30 gün veya daha fazla süre yakıt tutarsanız yapışkan partiküller karbüratörde tıkanıklığa neden olabilir. Bu, motor işlevine olumsuz etki eder.

Saklama sırasında yapışkan partikülleri engellemek için dengeleyici ekleyin. Alkilat benzin kullanılıyorsa stabilizatör gerekmez. Standart benzin kullanıyorsanız alkilat benzine geçmeyin. Bu, hassas kauçuk parçaların sertleşmesine neden olabilir. Saklama için kullanılacak tanktaki veya kaptaki yakıtı dengeleyici ekleyin. Her zaman üretici tarafından belirtilen karıştırma oranlarını kullanın. Koruyucu ekleyin ve yakıt karbüratöre akana kadar motoru en az 10 dakika çalıştırın.



UYARI: Tankında yakıt bulunan bir ürünü kapalı bir yerde veya hava akışı zayıf olan yerlerde saklamayın. Yakıt

dumanı; açık alev, kıvılcım veya buhar kazanı, sıcak su tankı ve çamaşır kurutma makineleri gibi ürünlerin pilot alevi yakınına ulaşırsa yangın tehlikesi bulunur.



UYARI: Yangın riskini azaltmak için üründeki çimlery, yaprakları ve diğer yanıcı maddeleri temizleyin. Ürünü saklamadan önce soğumasını bekleyin.

- Ürünü temizleyin, bkz. *Ürünü temizleme sayfa: 250*.
- Soğutma fanından istenmeyen maddeleri alın.
- Paslanmayı önlemek için boya hasarını onarın.
- Üründe eskimiş veya hasarlı parçalar olup olmadığını inceleyip gevşek vida ve somunları sıkın.
- Pili çıkarın. Temizleyin, şarj edin ve depolama boyunca serin tutun.
- Motor yağını değiştirin ve atık yağı bertaraf edin.
- Yakıt tankını boşaltın. Motoru başlatın ve karbüratörde yakıt kalmayana kadar çalıştırın.

Not: Dengeleyici eklendiyse yakıt tankını ve karbüratörü boşaltmayın.

- Tapaları çıkarın ve her silindirin içine yaklaşık bir yemek kaşığı motor yağı dökün. Yağı uygulamak için motor milini manuel olarak döndürün ve tapaları geri takın.
- Tüm gres memelerini, bağlantıları ve aksları yağlayın.
- Ürünü temiz ve kuru bir yerde saklayın ve daha iyi koruma için örtüyle kapatın.

Зміст

| | | | |
|-------------------|-----|---|-----|
| Вступ..... | 252 | ТЕХНІЧНЕ ОБСЛУГОВУВАННЯ..... | 259 |
| Безпека..... | 253 | Усунення несправностей..... | 259 |
| Установлення..... | 256 | Транспортування, зберігання й утилізація..... | 260 |
| Експлуатація..... | 258 | | |

Вступ

Опис виробу

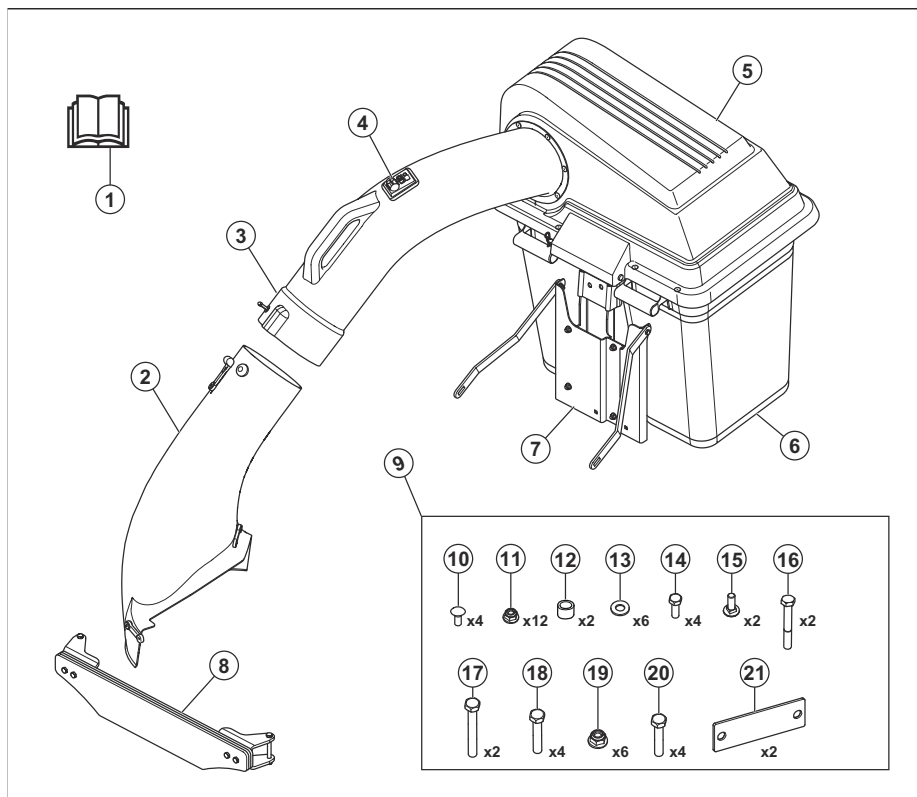
Цей виріб є системою збирання. Зібрану траву можна використати як компост для газону чи клумб або викинути як побутове сміття.

доглянутий вигляд. Заборонено використовувати виріб для інших завдань.

Призначення

Цей виріб призначений для збирання зрізаної трави під час скошування, щоб ваш газон мав

Огляд виробу



1. Посібник користувача
2. Бічний викидний жолоб
3. Жолоб травозбірника

4. Індикатор заповненого збірника
5. Кожух
6. Сумка

7. Кріпильна скоба травозбірника
8. Передня гиря
9. Сумка з деталями кріплення
10. Болт із квадратною підголовкою 5/16–18 x 3/4
11. Гайка, 5/16
12. Напрямна вставка
13. Шайба
14. Шестигранний болт, 5/16–18 x 1
15. Болт із квадратною підголовкою 5/16–18 x 1–1/4
16. Шестигранний болт, 5/16–18 x 2–1/4
17. Шестигранний болт, 3/8–16 x 3–1/2
18. Шестигранний болт, 3/8–16 x 2–1/2
19. Гайка, 3/8
20. Шестигранний болт, 3/8–16 x 4–1/2

21. Підсилювальна пластина

Пошкодження виробу

Ми не несемо відповідальності за пошкодження, якщо:

- виріб було неправильно відремонтовано;
- виріб було відремонтовано із використанням деталей, виготовлених не виробником або не затверджених ним;
- виріб обладнано аксесуаром, виготовленим не виробником або не затвердженим ним;
- виріб було відремонтовано в неавторизованому сервісному центрі або неавторизованою компанією;

Безпека

Визначення щодо безпеки

Попередження, застереження й примітки служать для наголошення на особливо важливих положеннях посібника.



ПОПЕРЕДЖЕННЯ: Вказує на те, що в разі порушення інструкцій, наведених у цьому посібнику, існує небезпека поранення або смерті оператора чи інших осіб, що знаходяться поруч.



УВАГА: Вказує на те, що в разі порушення інструкцій, наведених у цьому посібнику, існує небезпека пошкодження виробу, інших матеріалів або навколишніх об'єктів.

Зверніть увагу: Використовується для надання додаткової інформації щодо певної ситуації.

Загальні правила техніки безпеки



ПОПЕРЕДЖЕННЯ: Перш ніж розпочати використання виробу, уважно прочитайте наведені нижче попередження.



ПОПЕРЕДЖЕННЯ: Під час роботи із цим виробом існує ризик травматичної ампутації руки або ноги чи травми через об'єкти, що відлітають із-під лез. Недотримання наведених далі правил техніки безпеки може призвести до серйозних травм або смерті.



ПОПЕРЕДЖЕННЯ:

Невиконання правил безпечної експлуатації може призвести до серйозних травм оператора чи сторонніх осіб. Власник має зрозуміти наведені інструкції та допускати до роботи з косаркою лише осіб із належною підготовкою, які також розуміють їх. Особам, що мають проблеми з психікою, інвалідність чи перебувають під впливом психотропних речовин, заборонено працювати з косаркою.

- Уважно та вдумливо прочитайте інструкції та попередження, наведені в цьому документі, посібнику користувача й на машині, двигуні та приладді, і дотримуйтеся їх.
- Користуватися цією машиною дозволено лише тим операторам, які є відповідальними дорослими особами, ознайомлені з інструкціями, навчені й фізично здатні працювати з нею.
- Обов'язково повідомте всіх навколо, що збираєтеся використовувати виріб, інакше може статися нещасний випадок і хтось може отримати травму.
- Не перевозьте пасажирів і не дозволяйте стороннім особам перебувати поблизу виробу.
- Особам у стані алкогольного чи наркотичного сп'яніння заборонено користуватися машиною.
- Дотримуйтеся рекомендацій виробника щодо колесних ваг і противаг.
- З'ясуйте, як безпечно використовувати виріб та елементи керування ним, а також як швидко зупинити машину в разі потреби.
- Навчіться розпізнавати клейке маркування щодо техніки безпеки.

- Тримайте виріб у чистоті, щоб вам було добре видно знаки та наклейки на ньому.
- Пам'ятайте, що оператор несе відповідальність за нещасні випадки, у результаті яких постраждали інші особи або було пошкоджено їхнє майно.
- Використовуйте виріб лише в добре освітленому середовищі, наприклад в умовах денного світла. Тримайте виріб подалі від отворів та інших нерівностей поверхні. Будьте обережні — під час роботи можуть виникати інші ризики.
- Не дозволяйте дітям або іншим особам, що не мають дозволу на роботу з виробом, використовувати або обслуговувати його. Вік користувача може регламентуватися місцевими законами.
- Перед запуском двигуна, застосуванням привода та на початку їзди необхідно переконатися, що навколо нікого немає.
- Стежте за дорожнім рухом, працюючи біля дороги або перетинаючи дорогу.
- Не користуйтеся виробом, якщо ви втомлені, перебуваєте під впливом алкогольних, наркотичних, лікарських чи будь-яких інших засобів, що можуть вплинути на зір, зосередженість, свідомість чи координацію рухів.
- Виріб слід паркувати на рівній поверхні та з вимкненим двигуном.
- Заборонено змінювати чи встановлювати на інструмент нестандартне обладнання без попередньої згоди виробника. Внесення змін в інструмент може призвести до небезпеки під час експлуатації чи пошкодити його.

Правила техніки безпеки, що стосуються дітей



ПОПЕРЕДЖЕННЯ: Цей виріб може призвести до серйозних травм або смерті дітей. Перш ніж розпочати використання виробу, уважно прочитайте наведені нижче попередження. Слідкуйте, щоб діти не наближалися до виробу під час роботи.

- Недбалість оператора під час користування пристроєм у присутності дітей може призвести до трагічних наслідків. Виріб і процес скошування часто привертають увагу дітей. У жодному разі не покладайтеся на те, що діти залишаються там, де ви їх бачили востаннє.
- Не дозволяйте дітям наближатися до ділянки, де ви працюєте. Залишайте дітей під дбайливим наглядом відповідальних дорослих осіб, окрім оператора машини.
- Зберігайте пильність і відразу вимикайте виріб, щойно побачите дитину на ділянці для скошування. Будьте особливо обережні,

- наближаючись до поворотів, кущів, дерев або інших об'єктів, що обмежують видимість.
- Будьте надзвичайно обережні, рухаючись біля поворотів із поганим оглядом, кущів, дерев й інших об'єктів, що можуть завадити вам побачити дитину.
- Перш ніж рухатися на виробі заднім ходом, переконайтеся, що позаду немає маленьких дітей.
- Не дозволяйте дітям керувати виробом.
- Мінімальний рекомендований Американською академією педіатрії для користування самохідною газонокосаркою вік дітей становить 16 років.
- Заборонено перевозити дітей навіть із вимкненими лезами. Діти можуть упасти й тяжко травмуватися або заважатимуть безпечному експлуатуванню машини. Діти, які вже каталися раніше, можуть несподівано забігти в робочу зону, щоб покататися знову, і потрапити під виріб, що рухається вперед або назад.

Правила техніки безпеки під час використання виробу



ПОПЕРЕДЖЕННЯ: Перш ніж розпочати використання виробу, уважно прочитайте наведені нижче попередження.

- Заборонено використовувати косарку, якщо збірник не встановлено повністю.
- Заборонено використовувати косарку із системою збирання, якщо не встановлено передні гирі.
- Перш ніж відкривати систему збирання, переконайтеся, що всі рухомі частини зупинено.
- Перш ніж вилучати засмічену траву із системи збирання, переконайтеся, що всі рухомі частини зупинено
- Необхідно очистити ділянку від каменів, іграшок, дров та інших предметів, які можуть потрапити на леза та бути відкинутими.
- Виріб можуть використовувати лише особи, які мають дозвіл.
- Перед скошуванням переконайтеся, що на ділянці, на якій ви працюєте, немає людей і тварин. Вимкніть виріб, якщо в робочу зону зайдуть сторонні особи.
- Перед поворотом зменшуйте швидкість.
- Зменшуйте швидкість перед поворотом за ріг.
- Коли виріб не працює, вимкніть леза.
- Перед використанням виробу закрийте кришку збірника.
- Вимикайте ножі косарки, коли переміщуєте виріб через зони, де можуть бути розкидані потенційно небезпечні предмети.

- Якщо із системи збирання вилітатимуть предмети, не намагайтеся їх збирати.
- Під час експлуатації виробу користуйтеся засобами захисту очей. Предмети, що розлітаються, можуть завдати шкоди очам.
- Після кожного використання та перед зберіганням переконайтеся, що мішок порожній. Залишки трави в мішках можуть самозайнятися й спричинити пожежу.
- Згідно з наявними даними травми, пов'язані з експлуатацією косарок-тракторів, частіше за все отримують оператори віком від 60 років. Такі оператори мають оцінити свою здатність безпечно керувати газонокосаркою, щоб захистити себе й сторонніх осіб від травм.

Правила техніки безпеки перед встановленням системи збирання



ПОПЕРЕДЖЕННЯ: Перш ніж розпочати використання виробу, уважно прочитайте наведені нижче попередження.

- Припаркуйтеся на рівній поверхні.
- Задійте стояночне гальмо.
- Встановіть важелі керування рухом у нейтральне положення.
- Вимкніть двигун і вийміть ключ запалювання.
- Перш ніж встановлювати систему збирання, переконайтеся, що всі рухомі частини зупинено.

Правила техніки безпеки під час використання виробу на схилах



ПОПЕРЕДЖЕННЯ: Перш ніж розпочати використання виробу, уважно прочитайте наведені нижче попередження.

Схили є основним фактором аварій. Робота на схилах потребує особливої уваги.

- Переміщуйтеся на схилах у напрямках, рекомендованих виробником. Будьте уважними, працюючи поблизу укосів.
- Уникайте скошування вологої трави. Шини можуть утратити зчеплення з поверхнею.
- Не використовуйте виріб, якщо ви не впевнені в надійності зчеплення з поверхнею, належній керованості або стабільності. Шини можуть ковзати навіть за зупинених коліс.
- Завжди тримайте машину на передачі під час руху вниз. Не спускайтеся схилами.
- Уникайте зрушування з місця та зупинок на схилах. Уникайте різких змін швидкості або напрямку руху. Здійсніть повороти повільно й поступово.

- Якщо шини втратять зчеплення з поверхнею, вимкніть леза й продовжуйте повільно рухатися вниз по схилу.
- Будьте особливо уважними під час експлуатування машини з травозбірником або іншим навесним приладдям. Використання зазначеного приладдя може погіршити стійкість машини.
- Робота на схилах пов'язана з ризиком втрати контролю над виробом і перекидання виробу. Це може призвести до травмування чи смерті. На будь-яких схилах потрібно скошувати траву дуже обережно. Якщо ви не зможете розвернутися на схилі або не впевнені в безпеці роботи, не косіть цей схил.
- Приберіть каміння, гілки й інші перешкоди.
- На схилі треба косити згори вниз і навпаки, а не з боку в бік.
- Не використовуйте виріб на ділянках із нахилом понад 10°.
- На схилах необхідно їздити плавно та повільно.
- Стежте, щоб на вашому шляху не опинилися канавки, отвори та пагорби. Не наїжджайте на такі перешкоди. На нерівному ґрунті існує велика небезпека перекидання виробу. Висока трава може приховувати перешкоди.
- Не косіть на краю схилів, канав і берегів водоймищ. Не під'їжджайте до небезпечних країв принаймні на ширину машини. Виріб може несподівано перекинутися, якщо одне колесо натрапить на кромку крутого схилу або канави, або якщо кромка зникне.

Правила техніки безпеки під час обслуговування



ПОПЕРЕДЖЕННЯ: Перш ніж розпочати використання виробу, уважно прочитайте наведені нижче попередження.



ПОПЕРЕДЖЕННЯ: Виріб важкий та може призвести до травмування чи пошкодження майна або навколишніх об'єктів. Забороняється виконувати технічне обслуговування двигуна чи різальної деки, не виконавши наведених нижче вимог.

- Двигун вимкнено.
- Виріб припарковано на рівній поверхні.
- Стояночне гальмо ввімкнено.
- Ключ запалювання перебуває в положенні «Стоп» і вийнятий.
- Леза розчеплені.
- Усі рухомі деталі зупинено.

- Проводи запалювання від'єднано від свічок запалювання.



ПОПЕРЕДЖЕННЯ: Потік рідини під тиском може проникнути крізь шкіру та призвести до тяжких травм. Якщо рідина потрапила під шкіру, негайно зверніться по медичну допомогу. Тримайте тіло й руки подалі від отворів або форсунок, які викидають рідину під високим тиском. У разі виникнення витoku негайно зверніться до кваліфікованого фахівця, який виконає сервісне обслуговування.



ПОПЕРЕДЖЕННЯ: Вихлопні гази з двигуна містять монооксид вуглецю — отруйний і дуже небезпечний газ без запаху. Не працюйте з виробом у закритих приміщеннях чи місцях з недостатнім провітрюванням.

- Підтримуйте виріб у справному стані. Замінійте зношені або пошкоджені деталі. Будьте обережними під час обслуговування лез. Обгортайте леза або використовуйте захисні рукавички. Замінійте пошкоджені леза. Не ремонтуйте леза й не вносьте зміни до їхньої конструкції. Перед виконанням ремонтних робіт від'єднайте дроти свічки запалювання (якщо

встановлена) та негативний акумуляторний дріт.

Для забезпечення максимальної ефективності та безпеки регулярно виконуйте технічне обслуговування виробу згідно з графіком технічного обслуговування. Див. *Графік технічного обслуговування на сторінці 259.*

- Ураження електричним струмом може призвести до травм. Не торкайтеся дротів, коли двигун увімкнений. Не можна перевіряти функціонування системи запалювання пальцями.
- Зачекайте, доки виріб охолоне, і лише після цього беріться до технічного обслуговування двигуна.
- Леза дуже гострі, тому можуть спричинити порізи. Працюючи з лезами, загорніть їх у щось або вдягніть захисні рукавиці.
- Не перевертайте двигун, якщо свічку або провід запалювання знято.
- Переконайтеся, що всі гайки та болти правильно затягнуто, а обладнання перебуває в належному стані.
- Не змінюйте положення регуляторів. Занадто висока частота обертання двигуна може призвести до пошкодження компонентів виробу.
- Виріб був схвалений для роботи тільки з обладнанням, яке надає або рекомендує виробник.
- Для ремонту використовуйте лише оригінальні деталі. Використання інших деталей може призвести до анулювання гарантії.

Установлення

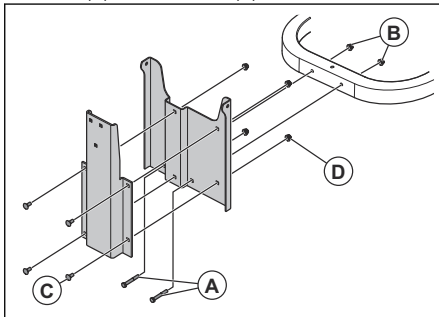
Вступ



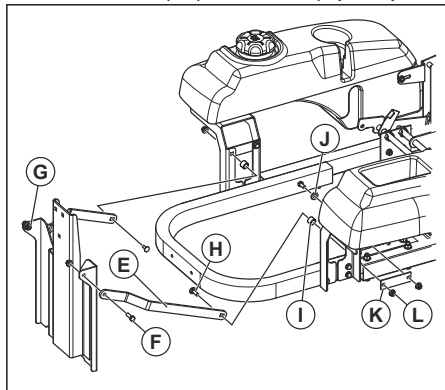
ПОПЕРЕДЖЕННЯ: Перед встановленням виробу уважно прочитайте розділ, присвячений правилам техніки безпеки.

Встановлення кріпильної скоби травозбірника

1. Встановіть опорну скобу на раму за допомогою 2 шестигранных болтів 5/16–18 x 2–1/4 (A) і 2 гайок 5/16 (B).



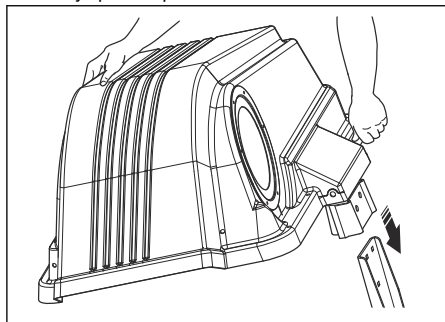
2. Встановіть підвісну скобу на опорну за допомогою 4 болтів із квадратною підголовкою 5/16–18 x 3/4 (C) і 4 гайок 5/16 (D).
3. Встановіть опорні реміні на опорну скобу.



4. Встановіть реміні (E) на опорну скобу за допомогою 2 болтів із квадратною підголовкою 5/16–18 x 1–1/4 (F) і 2 гайок 5/16 (G).
5. Встановіть реміні на кріпильні скоби бака за допомогою 4 шестигранних болтів 5/16–18 x 1 (H), 2 розпірних втулок (I), 2 шайб (J), 2 підсилювальних пластин (K) і 4 гайок 5/16 (L).

Встановлення кожуха травозбірника

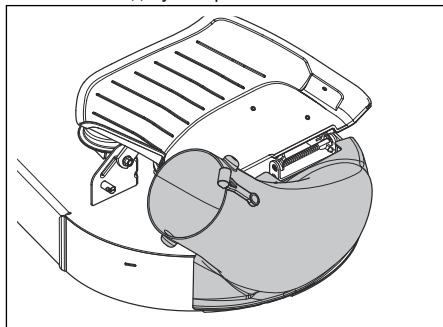
1. Встановіть кріпильну скобу травозбірника. Див. *Встановлення кріпильної скоби травозбірника на сторінці 256.*
2. Встановіть кожух травозбірника на кріпильну скобу травозбірника.



Встановлення бічного викидного жолоба

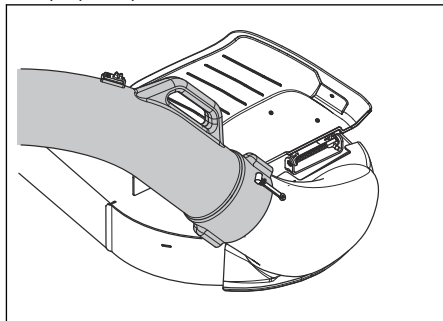
1. Підніміть кришку бічного викиду.
2. Установіть бічний викидний жолоб навколо кронштейна кришки.

3. Установіть фіксатори бічного викидного жолоба на деку косарки.



Встановлення жолоба травозбірника

1. Встановіть жолоб травозбірника на бічний викидний жолоб.
2. Прикріпіть реміні.

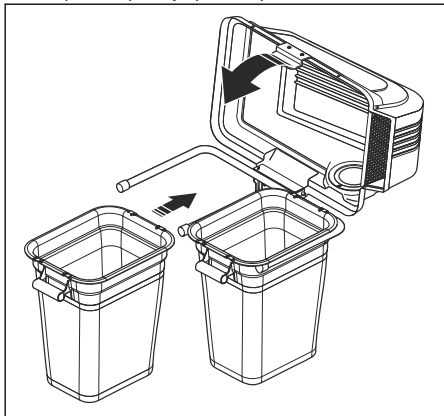


3. Вставте жолоб травозбірника в отвір на кришці травозбірника.

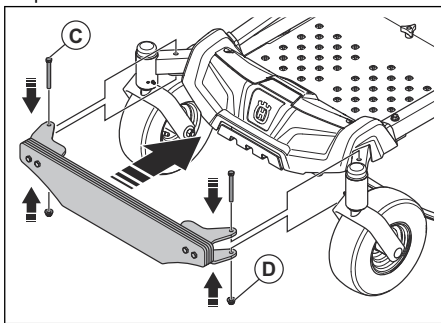
Встановлення мішків

1. Відкиньте кришку травозбірника.
2. Встановіть 2 мішки на опорну раму.

3. Закрийте кришку травозбірника.



2. Сумістіть отвори в кронштейнах з отворами в рамі.



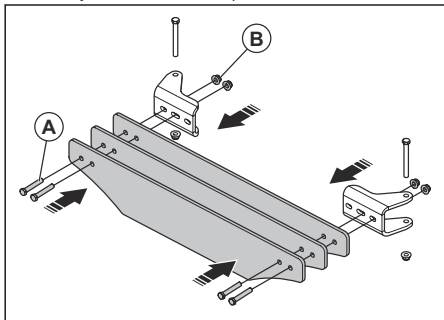
3. Встановіть болти 3/8–16 x 3–1/2 (C) і гайки 3/8 (D).
4. Затягніть усі гайки.

Встановлення передньої гирі



ПОПЕРЕДЖЕННЯ: Не використовуйте систему збирання без передніх гир.

1. Встановіть пластини передньої гирі на кріпильні скоби за допомогою 4 шестигранних болтів 3/8–16 x 2–1/4 (A) і 4 гайок 3/8 (B). Не затягуйте гайки до кінця.



Експлуатація

Вступ



ПОПЕРЕДЖЕННЯ: Перед експлуатацією виробу обов'язково прочитайте й усвідомте зміст розділу про заходи безпеки.

Робота з виробом

- Дотримуйтеся інструкцій з експлуатації, наведених у посібнику користувача косарки.
- Під час використання системи збирання двигун має працювати на максимальній швидкості.
- Просувайтесь повільно, щоб досягти хорошого результату скошування та збирання.
- Якщо трава висока й густа, скошіть її двічі. Перше скошування виконайте на максимальній висоті скошування, а друге — на потрібній висоті.
- Використовуйте ліву сторону косарки для скошування поблизу об'єктів.
- Не косіть вологий газон. Існує велика ймовірність того, що мокра трава може засмітити систему збирання.

- Якщо система збирання не збирає скошену траву, спорожніть мішок. Якщо проблема не зникає після спорожнення мішків, переконайтеся, що жолоб не засмічено.
- Якщо косарка наїде на сторонній предмет, зупиніть її та переконайтеся, що систему збирання не пошкоджено.
- Не допускайте перекручування жолоба збірника.
- Не перетягуйте жолоб збірника через кути будівель чи інші тверді поверхні.

ТЕХНІЧНЕ ОБСЛУГОВУВАННЯ

Вступ



ПОПЕРЕДЖЕННЯ: Перед виконанням будь-яких робіт із технічного обслуговування обов'язково прочитайте й усвідомте зміст розділу про заходи безпеки.

X = Інструкції наведено в цьому посібнику користувача.

O = Див. інструкцію в посібнику з експлуатування двигуна.

Графік технічного обслуговування, яке виконує оператор

Графік технічного обслуговування

* = Інструкції в цьому посібнику користувача не наводяться.

| Технічне обслуговування | Щоденне технічне обслуговування | Інтервали технічного обслуговування в годинах | | |
|--|---------------------------------|---|----|----|
| | Перед використанням | 5 | 25 | 50 |
| Перевірте й очистьте мішки для трави. | X | X | | |
| Переконайтеся, що всі гайки та гвинти затягнуто. | X | | | |
| Переконайтеся, що жолоб травозбірника затягнуто. | X | | | |
| Очистьте виріб. | | | | X |

Чищення виробу

- Прибирайте небажані матеріали й траву з виробу за допомогою щітки.
- Якщо необхідно, використовуйте мийку високого тиску й слабкий мийний засіб. Тиск води не повинен перевищувати 1000 фунтів на квадратний дюйм (68,9 бара).

Усунення несправностей

Усунення несправностей

Якщо усунути проблему за допомогою інструкцій у цьому посібнику не вдається, зверніться в центр обслуговування Husqvarna.

| Несправність | Причина |
|--------------------------|--|
| Зниження потоку повітря. | Забито жолоб або вхідний отвір кришки травозбірника. |
| | Контейнер заповнено. |
| | Тканину в травозбірнику засмічено. |

| Несправність | Причина |
|--|---|
| Незвична вібрація або шум. | У збірник потрапив твердий предмет. |
| | Гвинти чи гайки ослаблені або їх немає. |
| Кришка травозбірника важко закривається. | Предмети в травозбірнику спричиняють блокування його кришки. |
| | Гвинти кріплення кришки травозбірника затягнуто занадто сильно. |

Транспортування, зберігання й утилізація

Транспортування

- Не буксируйте виріб.
- Виріб дуже важкий та може спричинити серйозні травми, якщо впаде. Будьте обережні під час завантаження його на транспортний засіб чи причіп, а також під час вивантаження.
- Завантажуйте виріб заднім ходом, переміщуючи його сертифікованим трапом із величиною робочого кута, що не перевищує 10°. Не піднімайте виріб.
- Для транспортування виробу використовуйте причіп відповідного типу.
- Необхідною умовою транспортування виробу в причепі дорогами загального користування є знання місцевих правил дорожнього руху.
- Фіксуйте виріб за допомогою сертифікованих пристроїв, наприклад строп. Використовуйте кріпильні точки виробу або відповіді ділянки на рамі. Стояночного гальма недостатньо для фіксації виробу під час транспортування.

Зберігання

Виріб необхідно підготовлювати до зберігання наприкінці сезону й за необхідності зберігання протягом більше ніж 30 днів. Якщо паливо буде знаходитися в баку більше 30 днів, липкі частки можуть призвести до засмічення карбюратора. Це може негативно вплинути на функціонування двигуна.

Щоб уникнути появи липких часток протягом зберігання, додавайте до палива стабілізатор. Якщо використовується бензин-алклат, стабілізатор не потрібний. У разі використання звичайного бензину не замінюйте його на алклат. Це може призвести до затвердіння чутливих гумових деталей. Додавайте стабілізатор для палива в бак або в контейнер, що використовується для зберігання палива. Завжди дотримуйтесь пропорцій компонентів паливної суміші, що вказані виробником. Додайте стабілізатор і дайте двигуну пропрацювати щонайменше 10 хвилин, доки пальне не потече в карбюратор.



ПОПЕРЕДЖЕННЯ: Не зберігайте виріб із бензином у баку в приміщеннях або на ділянках із поганою вентиляцією. Існує небезпека загоряння, якщо пари бензину ввійдуть у контакт із відкритим вогнем, іскрами або запальниками приладів на кшталт бойлерів, водонагрівачів або сушарок.



ПОПЕРЕДЖЕННЯ: Усуньте з виробу траву, листя та інші легкозаймисті матеріали, щоб зменшити небезпеку загоряння. Перш ніж встановлювати виріб на зберігання, дайте йому охолонути.

- Здійсніть очищення виробу, див. *Чищення виробу на сторінці 259*.
- Приберіть сторонні матеріали з вентилятора охолодження.
- Підфарбуйте ділянки з пошкодженням покриттям, щоб уникнути корозії.
- Огляньте виріб на предмет зношених або пошкоджених деталей та затягніть не закріплені гвинти й гайки.
- Вийміть акумулятор. Очистьте його, зарядьте і тримайте охолодженим під час зберігання.
- Замініть моторну оливу й утилізуйте відпрацьовану.
- Вилийте паливо з паливного бака. Запустіть двигун і залиште його працювати, доки в карбюраторі не залишиться палива.

Зверніть увагу: Якщо до палива додано стабілізатор, немає потреби спорожнювати паливний бак та карбюратор.

- Зніміть заглушки та налійте в кожний циліндр приблизно по одній столовій ложці моторної оливи. Прокрутіть вал двигуна вручну, щоб змастити оливу, і встановіть заглушки.
- Змастіть всі ніпелі для змащення, з'єднання та осі.

- Тримайте виріб у чистому й сухому місці та накрийте його чохлам для забезпечення додаткового захисту.



Husqvarna®

www.husqvarna.com

Original instructions
Оригинални инструкции
Originalna uputstva
Původní pokyny
Originale instruktioner
Originalanweisungen
Αρχικές οδηγίες
Instrucciones originales
Originaaljuhend
Alkuperäiset ohjeet

Instructions d'origine
Originalne upute
Eredeti útmutatás
Istruzioni originali
원본 설명서

Originalios instrukcijos
Lietošanas pamācība
Originale instructies
Originale instruksjoner
Originalne instrukcje
Instruções originais
Instrucções originais
Instrucțiuni inițiale
Оригинальные инструкции
Põvodné pokyny
Izvirna navodila
Originalna uputstva
Bruksanvisning i original
Orijinal talimatlar
Оригинальні інструкції

1144165-38



2024-09-13