



柴油机零部件图册

PART CATALOGUE

LC178F



整机状态：柴油机-空油浴式-油门调速控制-E轴-飞无内磁钢-拉盘纯黑-风扇罩纯黑-油箱纯黑-书中性英文-贴中性英文-贴CE-贴可回收-纸中性英文-条英文【K0657, 意大利A, 拉盘贴花120712, 轴输出端法兰盘】

机型Model:LC178F

成品编码Code Number:T271-00005-002-007

版本号: 2013-1

曲轴箱体组件 (Crankcase Assy.)

序号 No.	零部件图号 Part No.	Description	数量 Reqd. QTY
1	110260051-0001	Seal plug M16×16	2
2	380450830-0001	Washer φ16.5×φ22.5×1.8	2
3	110810208-0001	Crankcase	1
4	380600169-0001	Pin 8×16	2
5	110690051-0001	Cap assy,oil filler	1
6	380630002-0001	Bearing 6203	1
7	380840792-0001	Seal	1
8	380650337-0001	Oil seal 35×52×7	1
9	130240004-0001	Plate,Bearing	2
10	380140040-0005	Bolt, flange M8×16	2

曲轴箱盖 (Crankcase cover)

序号 No.	零部件图号 Part No.	Description	LC178FD
1	380140051-0005	Bolt,Flange M8×35	13
2	380650336-0001	Oil seal 30×46×8	1
3	110260053-0001	Seal plug 1/8-27NPTF	1
4	150290021-0001	Oil filler assy.	1
5	110690051-0001	Cap assy,oil filler	1
6	380070288-0001	Bolt M12×16	1
7	380450516-0001	Washer φ12×φ20×2	1
8	381150514-0001	Compress spring	1
9	380640016-0001	Ball	1
10	110820064-0001	Crankcase cover	1
11	150010068-0001	Pump oil	1
12	380630002-0001	Bearing 6203	1
13	380780123-0001	Pipe inlet oil	1
14	150040029-0001	Plate,Oil pump	1

曲轴箱盖 (Crankcase cover)

序号 No.	零部件图号 Part No.	Description	LC178FD
15	380140003-0005	Bolt,Flange M6×20	4
16	171750018-0001	Governor Gear Assy.	1
17	110830042-0001	Gasket,Crankcase cover	1

气缸头 (Cylinder Head Assy.)

序号 No.	零部件图号 Part No.	Description	LC178FD
1	380140102-0004	Bolt,Flange M6×25	4

2	120220040-0001	Cylinder head cover comp.	1
3	120250031-0001	Gasket,Cylinder head cover	1
4	380140508-0001	Bolt,Head M10×1.25×90	4
5	120080528-0001	Head comp,Cylinder	1
6	120150153-0001	Gasket,Cylinder	1
	120150190-0001	Gasket,Cylinder	1
	120150191-0001	Gasket,Cylinder	1
7	380600167-0001	Pin 4×12	2
8	380140004-0004	Bolt,Flange M8×20	1
9	120550005-0001	Lifting eye	1

曲柄连杆机构 (Connecting rods and Crankshaft)

序号	零部件图号	Description	
No.	Part No.		LC178FD
1	130070138-0001	Ring set	1
2	380560092-0001	Clip, piston pin	2
3	130030157-0001	Piston	1
4	130060058-0001	Pin, piston	1
5	130150083-0001	Conn rod assy	1
6	110280007-0001	Shell, crank pin	2
7	130290446-0001	Crankshaft comp.(A)	1
8	130430018-0001	Balanceshaft	1
9	380450702-0001	Washer φ13×φ38×3.5	1
10	380140457-0001	BoltM12×12.5×35	1
8	130430018-0001	Balanceshaft	1
9	380450702-0001	Washer φ13×φ38×3.5	1
10	380140457-0001	BoltM12×12.5×35	1
11	130610005-0001		1

曲柄连杆机构 (Connecting rods and Crankshaft)

序号	零部件图号	Description	
No.	Part No.		LC178FD
8	130430018-0001	Balanceshaft	1
9	380450702-0001	Washer φ13×φ38×3.5	1
10	380140457-0001	BoltM12×12.5×35	1

配气机构 (Valve Train)

序号	零部件图号	Description	
No.	Part No.		LC178FD
1	140450042-0001	Rocker Arm Assy.Intake	1
2	140450043-0001	Rocker Arm Assy.Exhaust	1
3	140320007-0001	Cap, Exh. Valve	2
4	140380036-0001	Seat, valve	2
5	140390026-0001	Lock clamp,Valve	4
6	140340035-0001	Valve spring	2
7	140400022-0001	Seal valve stem	2
8	140360014-0001	Seat bottom,Valve	2
9	500550040-0001	Valve kit	1

10	140020085-0001	Camshaft comp.	1
11	140720008-0001	Plate guide valve	1
12	140670024-0001	Push rod comp.	2
13	140690020-0001	Tappet valve	2
手起动器组件 (Pullstart Assy)			
序号	零部件图号	Description	LC178FD
No.	Part No.		
1	160180027-0001	Fan	1
2	660880002-0001	Plate, Fan	1
3	193590019-0001	Cup Starter	1
4	380450702-0001	Washer $\phi 13 \times \phi 38 \times 3.5$	1
5	380140457-0001	Bolt M12 \times 12.5 \times 35	1
6	380840758-0001	Seal	1
7	193490156-0001	Pullstart Assy	1
8	380450828-0001	Washer $\phi 6 \times \phi 18 \times 1.2$	4
9	380140095-0005	Bolt, Flange M6 \times 30	4
10	270020227-0001	Flywheel	1
空滤器 (Air cleaner)			
序号	零部件图号	Description	LC178FD
No.	Part No.		
1	380180156-0001	Stud M8 \times 32.5	2
2	183000001-0001	Gasket, In.	1
3	180420579-0001	Intank Pipe	1
4	380370066-0004	Nut M8	5
5	183000003-0001	Gasket, In.	1
6	180010089-0001	air cleaner assy	1
7	180090071-T270	Seal	1
8	180130248-T270	Filter	1
9	380180143-0001	Stud M6 \times 28	3
消声器 (Muffler)			
序号	零部件图号	Description	LC178FD
No.	Part No.		
1	380140102-0004	Bolt, Flange M6 \times 25	4
2	380450828-0001	Washer $\phi 6 \times \phi 18 \times 1.2$	4
3	160190051-0001	Air conduction cover	1
4	380340005-0005	Nut M8	2
5	380180098-0001	Stud M8 \times 34	2
6	180660064-0001	Gasket, Muffler	1
7	380140004-0004	Bolt, Flange M8 \times 20	2
8	180571299-0001	Muffler	1
燃油系统 (Fuel System)			
序号	零部件图号	Description	LC178FD
No.	Part No.		
1	170010030-0001	Fuel filter	1
2	660310019-0001	Seal, Fuel net	1

3	170870089-0001	Cap Comp.	1
4	170500800-0001	Fuel tank	1
5	171020032-0001	Seal,Fuel Tap	1
6	170980092-0001	Fuel Tap Assy.	1
7	380370066-0004	Nut,Flange M6	7
8	380960198-0001	Lathe dog comp.Φ13	2
9	380750486-0001	Vitta	1
10	380140004-0004	Bolt,Flange M8×20	2
11	301560017-0001	Fuel tank, bracket	1
12	170700141-0001	Bush Rubber	4
13	110260056-0001	Seal plug M12×1.25×14	1
14	380450916-0001	Washer φ12.5×φ20×2	1

燃油系统 (Fuel System)

序号	零部件图号	Description	
No.	Part No.		LC178FD
15	380960170-0002	Lathe dog comp.Φ9	2
16	380750487-0001	Vitta	1
17	380180138-0001	Stud M6×54	2
18	174180001-0001	Injector,Plate	1
19	173010004-0001	Injector	1
20	380450829-0001	Washer φ8×φ16.5×0.5	1
21	380750471-0001	Vitta	1
22	380180137-0001	Stud M6×38	2
23	380180145-0001	Stud M6×38	1
24	174160001-0001	Fuel Pump,Plate	1
25	174170001-0001	Gasket,Fuel pump	1
26	174130001-0001	Fuel pump	1
27	174140001-0001	Adjusting gasket,Fuel pump	1
	174140001-0002	Adjusting gasket,Fuel pump	1
	174140001-0003	Adjusting gasket,Fuel pump	1

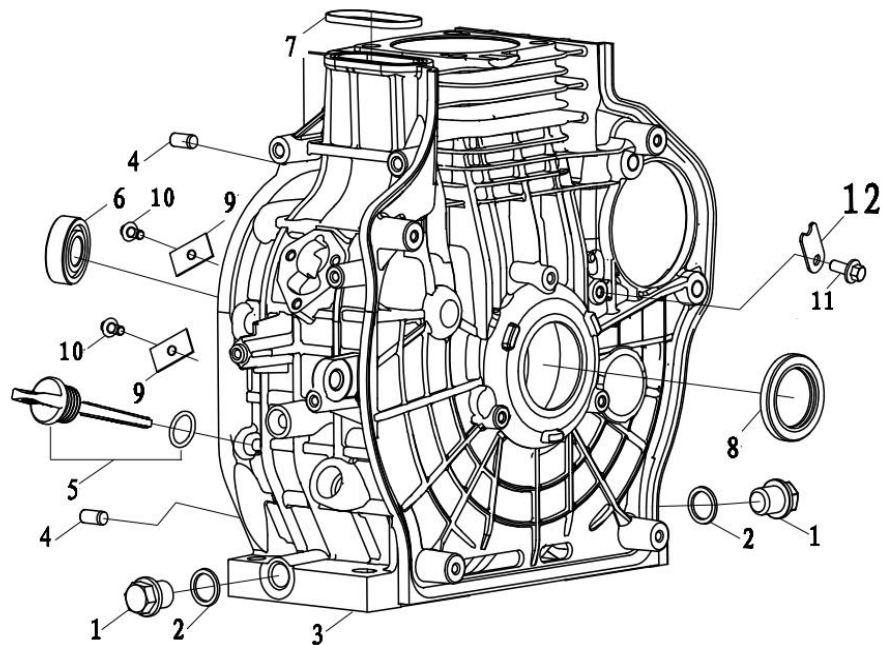
燃油系统 (Fuel System)

序号	零部件图号	Description	
No.	Part No.		LC178FD
28	170720010-0001	Fuel Filler,Assy.	1
29	301560016-0001	Underprop,Fuel tank	1
30	380140005-0006	Bolt,Flange M8×40	2

调速系统 (Governor System)

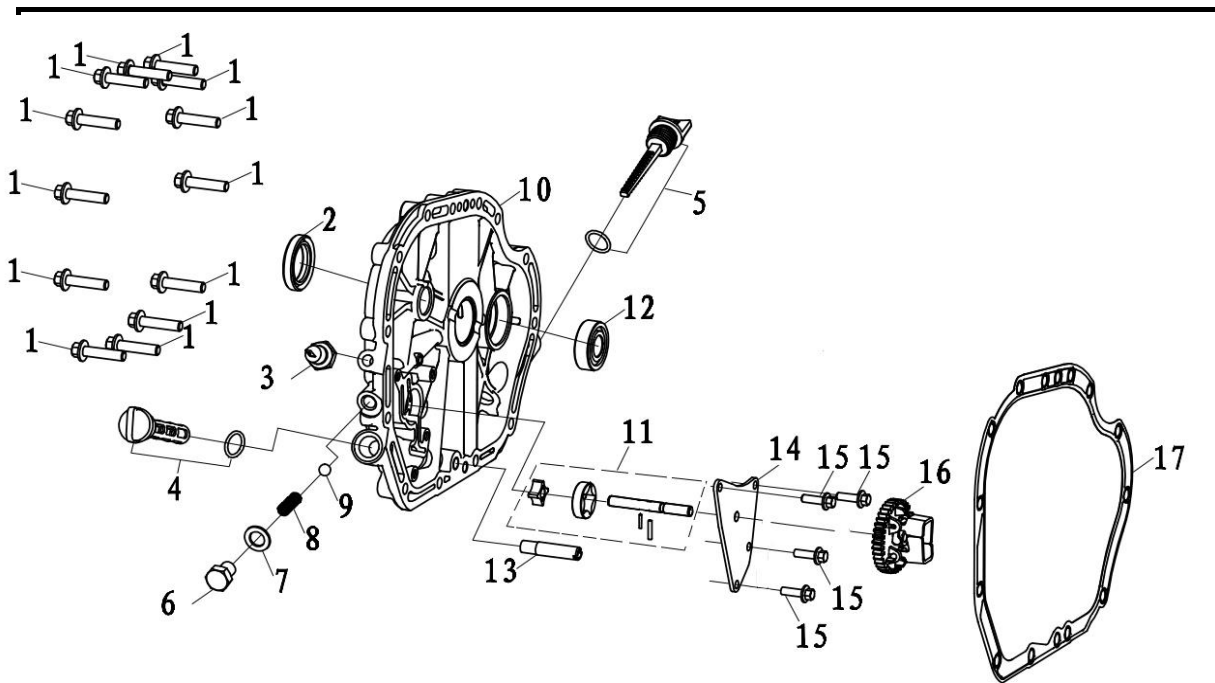
序号	零部件图号	Description	
No.	Part No.		LC178FD
1	380140215-0003	Bolt,Flange M6×14	2
2	171340029-T270	Knob control	1
3	380350008-0001	Nonmetal hexagon nuts M6	1
4	171580019-0001	Control assy	1
5	174230001-0001	Fuel stop assy.	1
6	381160150-0001	Torsional spring	1

7	381140478-0001	spring	1
8	171600042-0001	Spring,Governor	1
9	380650377-0001	Oil seal 8x14x5	1
10	380450592-0001	Washer $\phi 8.5 \times \phi 15.8 \times 2$	2
11	194530005-0001	Fork	1



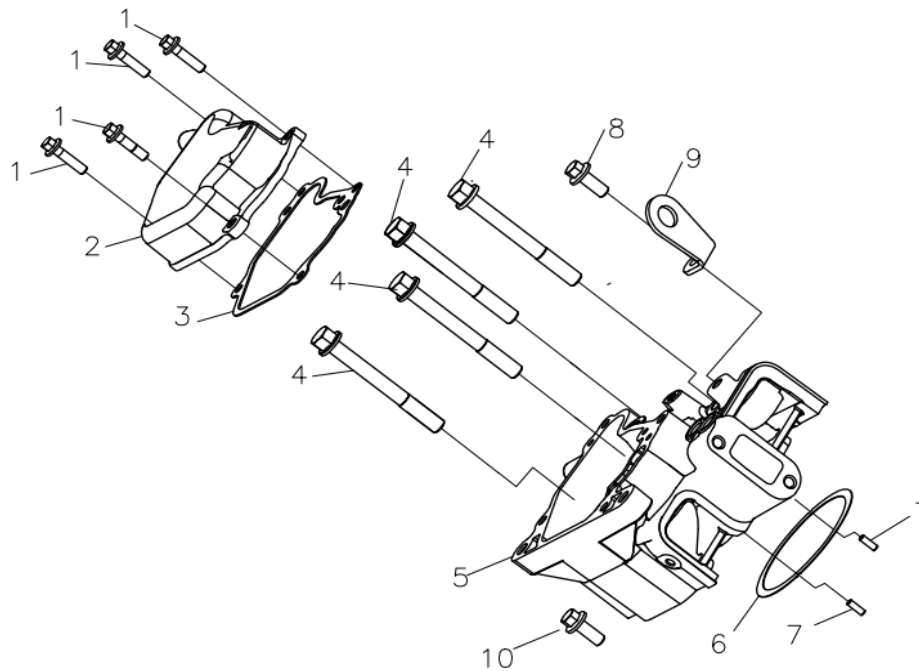
曲轴箱体组件 (Crankcase Assy.)

序号 No.	零部件图号 Part No.	Description	数量 Reqd. QTY
1	110260051-0001	Seal plug M16×16	2
2	380450830-0001	Washer φ16.5×φ22.5×1.8	2
3	110810208-0001	Crankcase	1
4	380600169-0001	Pin 8×16	2
5	110690051-0001	Cap assy, oil filler	1
6	380630002-0001	Bearing 6203	1
7	380840792-0001	Seal	1
8	380650337-0001	Oil seal 35×52×7	1
9	130240004-0001	Plate, Bearing	2
10	380140040-0005	Bolt, flange M8×16	2



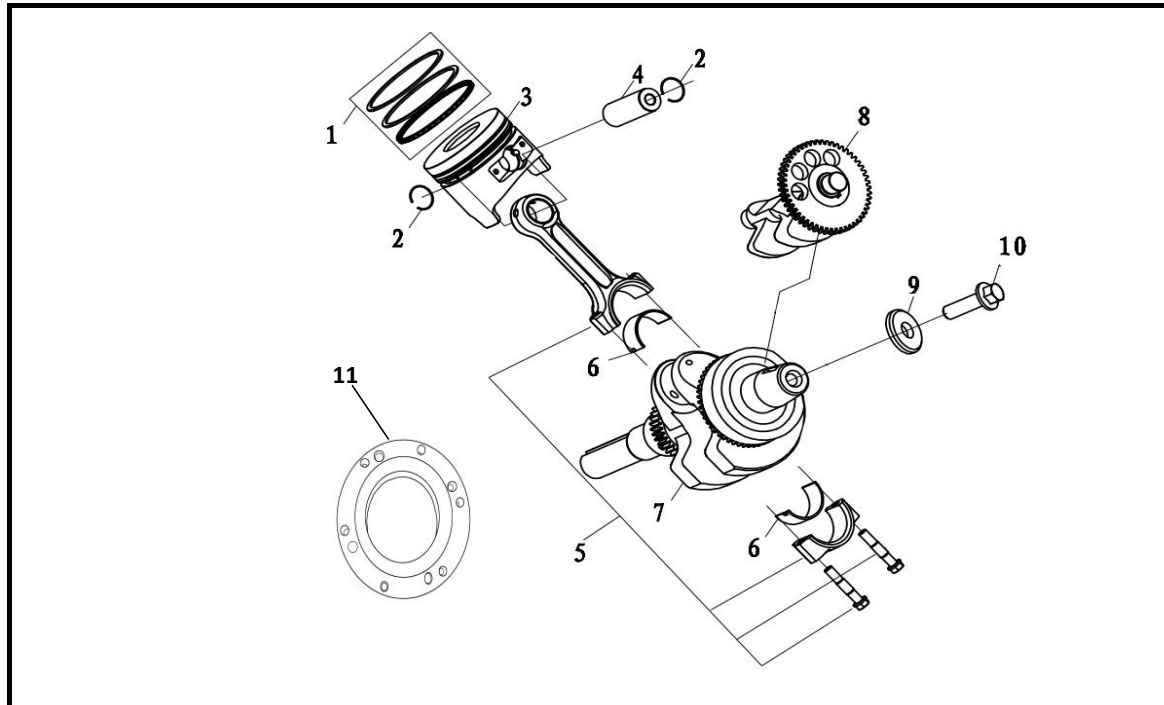
曲轴箱盖 (Crankcase cover)

序号	零部件图号	Description	
No.	Part No.		LC178FD
1	380140051-0005	Bolt,Flange M8x35	13
2	380650336-0001	Oil seal 30x46x8	1
3	110260053-0001	Seal plug 1/8-27NPTF	1
4	150290021-0001	Oil filler assy.	1
5	110690051-0001	Cap assy,oll filler	1
6	380070288-0001	Bolt M12x16	1
7	380450516-0001	Washer $\phi 12 \times \phi 20 \times 2$	1
8	381150514-0001	Compress spring	1
9	380640016-0001	Ball	1
10	110820064-0001	Crankcase cover	1
11	150010068-0001	Pump oil	1
12	380630002-0001	Bearing 6203	1
13	380780123-0001	Pipe inlet oil	1
14	150040029-0001	Plate,Oil pump	1



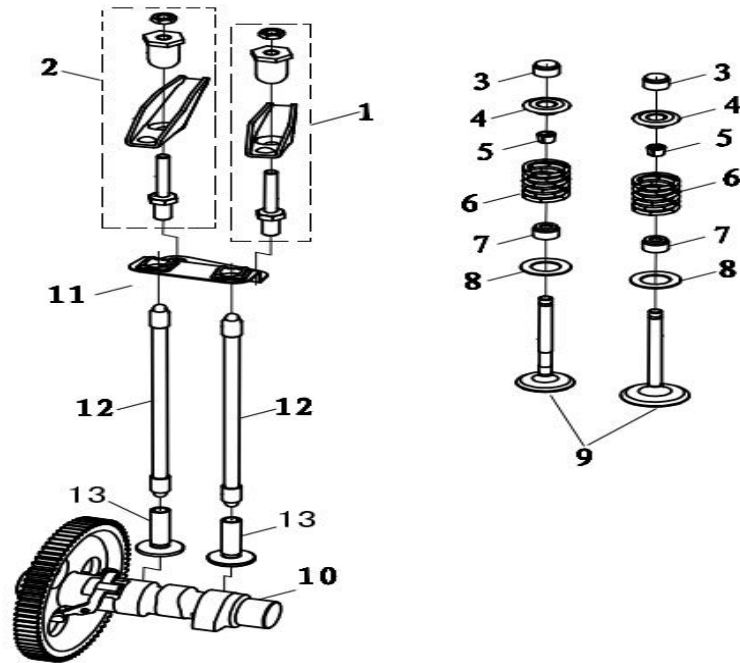
气缸头 (Cylinder Head Assy.)

序号	零部件图号	Description	LC178FD
No.	Part No.		
1	380140102-0004	Bolt,Flange M6x25	4
2	120220040-0001	Cylinder head cover comp.	1
3	120250031-0001	Gasket,Cylinder head cover	1
4	380140508-0001	Bolt,Head M10x1.25x90	4
5	120080528-0001	Head comp,Cylinder	1
6	120150153-0001	Gasket,Cylinder	1
	120150190-0001	Gasket,Cylinder	1
	120150191-0001	Gasket,Cylinder	1
7	380600167-0001	Pin 4x12	2
8	380140004-0004	Bolt,Flange M8x20	1
9	120550005-0001	Lifting eye	1



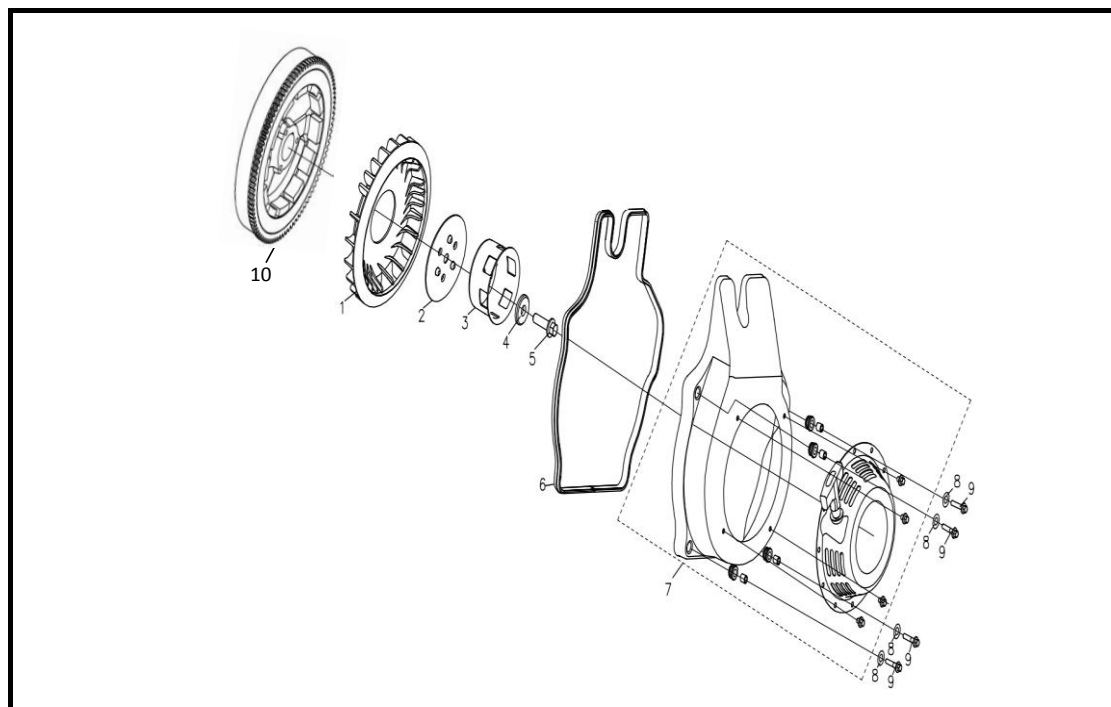
曲柄连杆机构 (Connecting rods and Crankshaft)

序号	零部件图号	Description	LC178FD
No.	Part No.		
1	130070138-0001	Ring set	1
2	380560092-0001	Clip, piston pin	2
3	130030157-0001	Piston	1
4	130060058-0001	Pin, piston	1
5	130150083-0001	Conn rod assy	1
6	110280007-0001	Shell, crank pin	2
7	130290446-0001	Crankshaft comp.(A)	1
8	130430018-0001	Balanceshaft	1
9	380450702-0001	Washer $\phi 13 \times \phi 38 \times 3.5$	1
10	380140457-0001	Bolt M12 \times 12.5 \times 35	1
8	130430018-0001	Balanceshaft	1
9	380450702-0001	Washer $\phi 13 \times \phi 38 \times 3.5$	1
10	380140457-0001	Bolt M12 \times 12.5 \times 35	1
11	130610005-0001		1



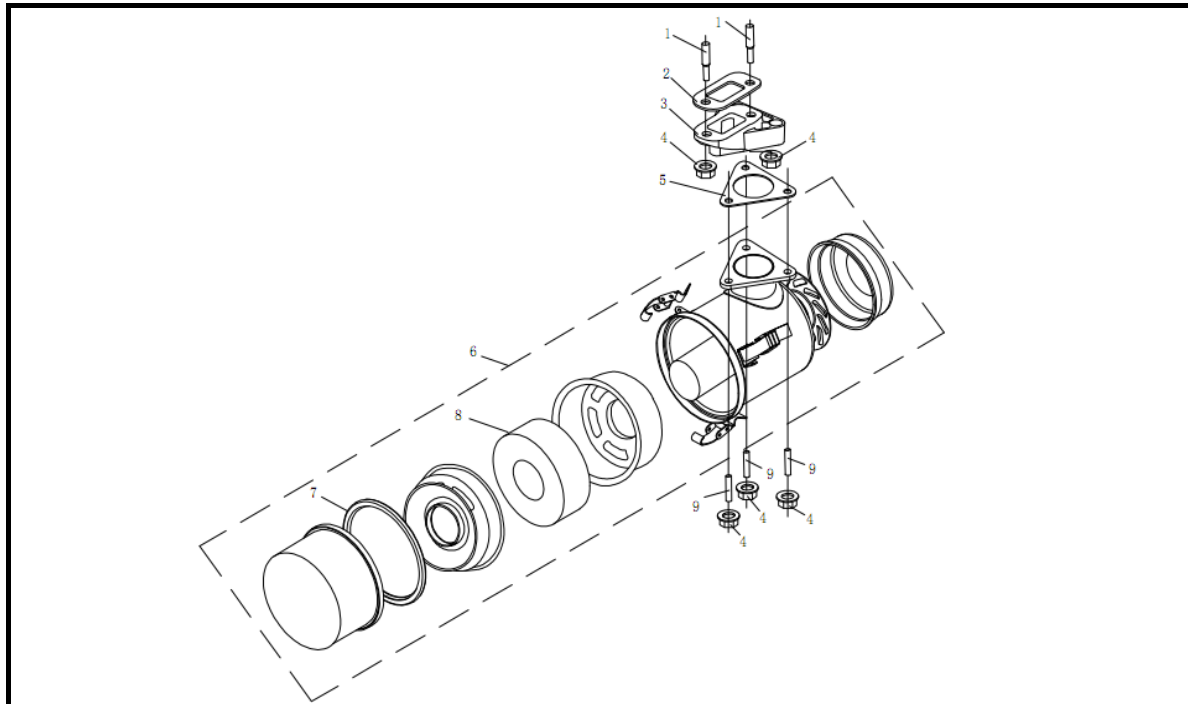
配气机构 (Valve Train)

序号	零部件图号	Description	LC178FD
No.	Part No.		
1	140450042-0001	Rocker Arm Assy.Intake	1
2	140450043-0001	Rocker Arm Assy.Exhaust	1
3	140320007-0001	Cap, Exh. Valve	2
4	140380036-0001	Seat, valve	2
5	140390026-0001	Lock clamp,Valve	4
6	140340035-0001	Valve spring	2
7	140400022-0001	Seal valve stem	2
8	140360014-0001	Seat bottom,Valve	2
9	500550040-0001	Valve kit	1
10	140020085-0001	Camshaft comp.	1
11	140720008-0001	Plate guide valve	1
12	140670024-0001	Push rod comp.	2
13	140690020-0001	Tappet valve	2



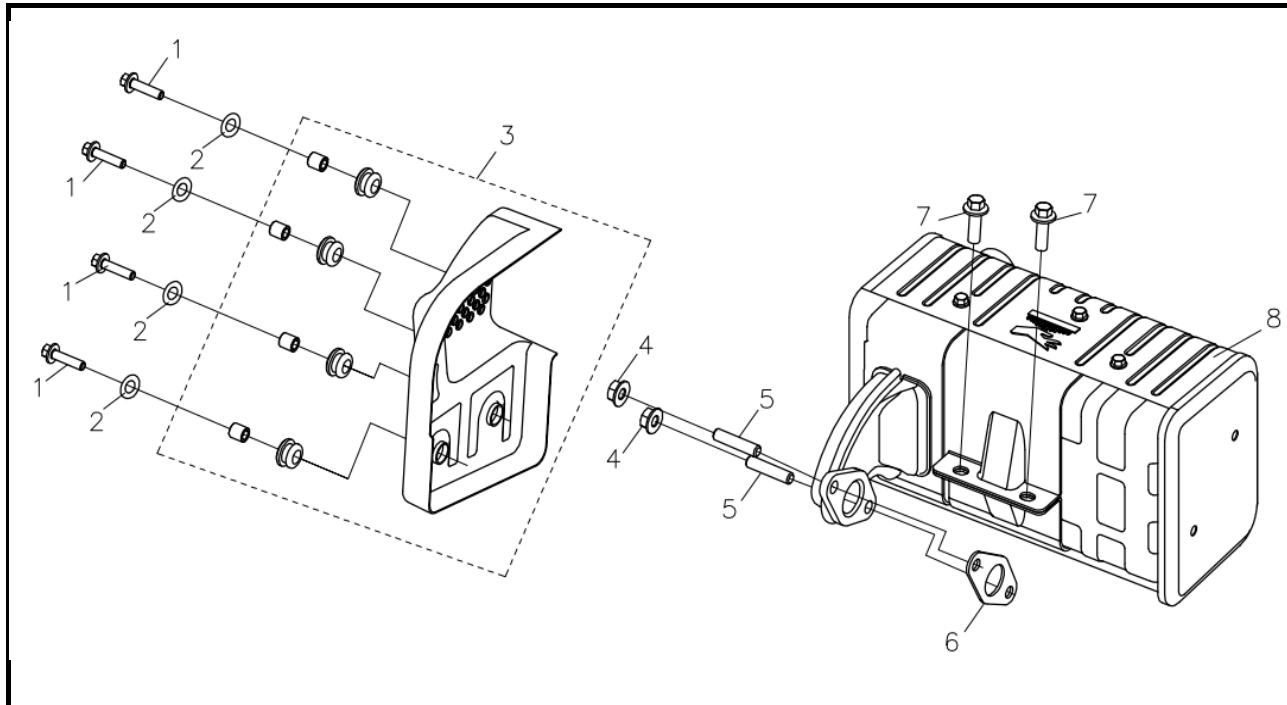
手起动机组件 (Pullstart Assy)

序号	零部件图号	Description	LC178FD
No.	Part No.		
1	160180027-0001	Fan	1
2	660880002-0001	Plate, Fan	1
3	193590019-0001	Cup Starter	1
4	380450702-0001	Washer $\phi 13 \times \phi 38 \times 3.5$	1
5	380140457-0001	Bolt M12x12.5x35	1
6	380840758-0001	Seal	1
7	193490156-0001	Pullstart Assy	1
8	380450828-0001	Washer $\phi 6 \times \phi 18 \times 1.2$	4
9	380140095-0005	Bolt, Flange M6x30	4
10	270020227-0001	Flywheel	1



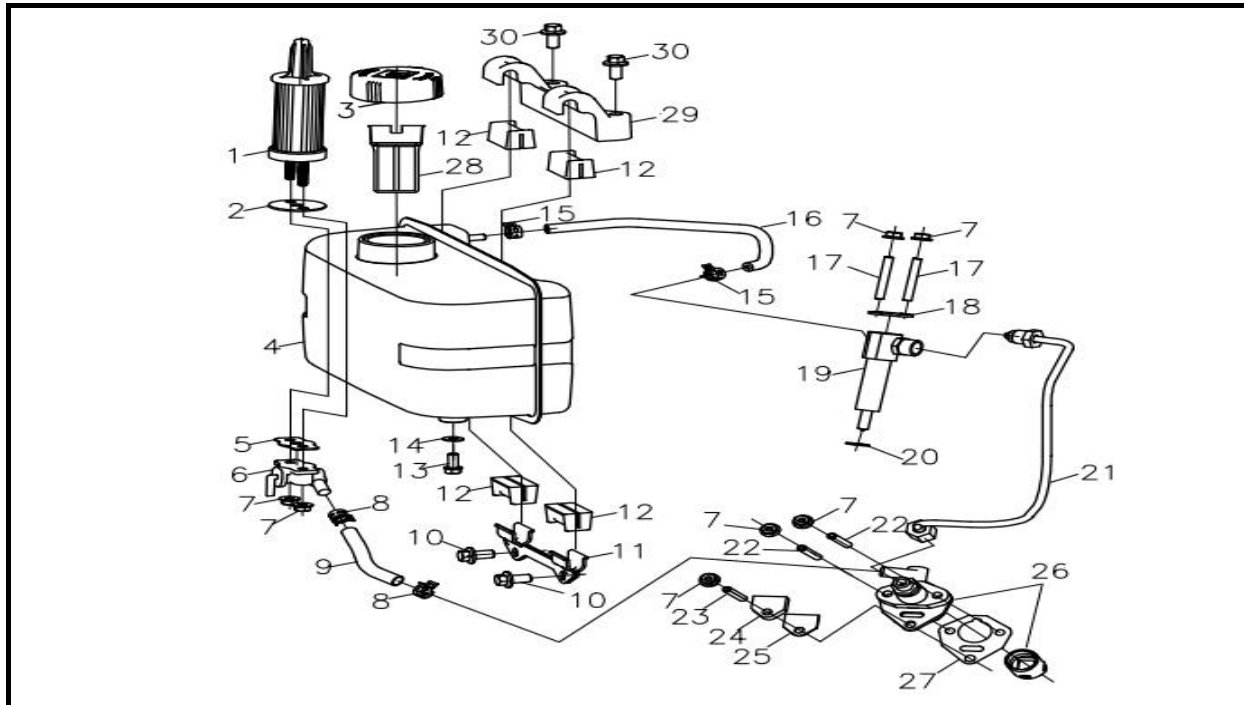
空滤器 (Air cleaner)

序号	零部件图号	Description	
No.	Part No.		LC178FD
1	380180156-0001	Stud M8x32.5	2
2	183000001-0001	Gasket,In.	1
3	180420579-0001	Intank Pipe	1
4	380370066-0004	Nut M8	5
5	183000003-0001	Gasket,In.	1
6	180010089-0001	air cleaner assy	1
7	180090071-T270	Seal	1
8	180130248-T270	Filter	1
9	380180143-0001	Stud M6x28	3



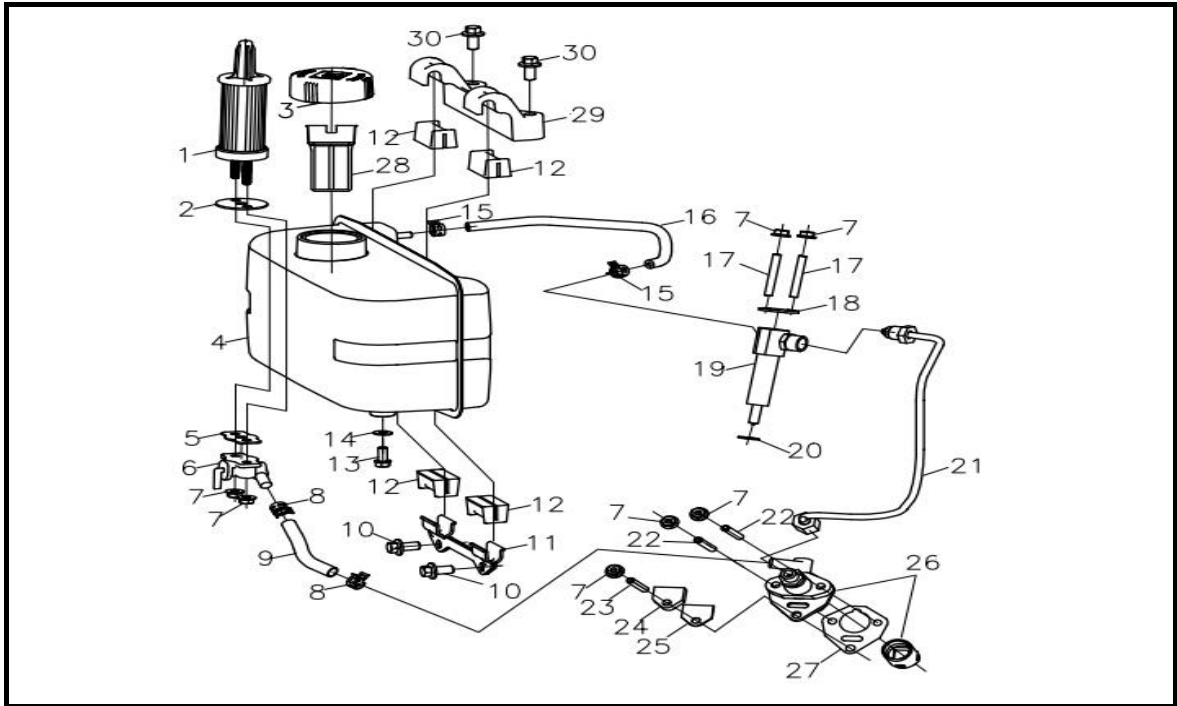
消声器 (Muffler)

序号	零部件图号	Description	LC178FD
No.	Part No.		
1	380140102-0004	Bolt,Flange M6×25	4
2	380450828-0001	Washer φ6×φ18×1.2	4
3	160190051-0001	Air conduction cover	1
4	380340005-0005	Nut M8	2
5	380180098-0001	Stud M8×34	2
6	180660064-0001	Gasket,Muffler	1
7	380140004-0004	Bolt,Flange M8×20	2
8	180571299-0001	Muffler	1



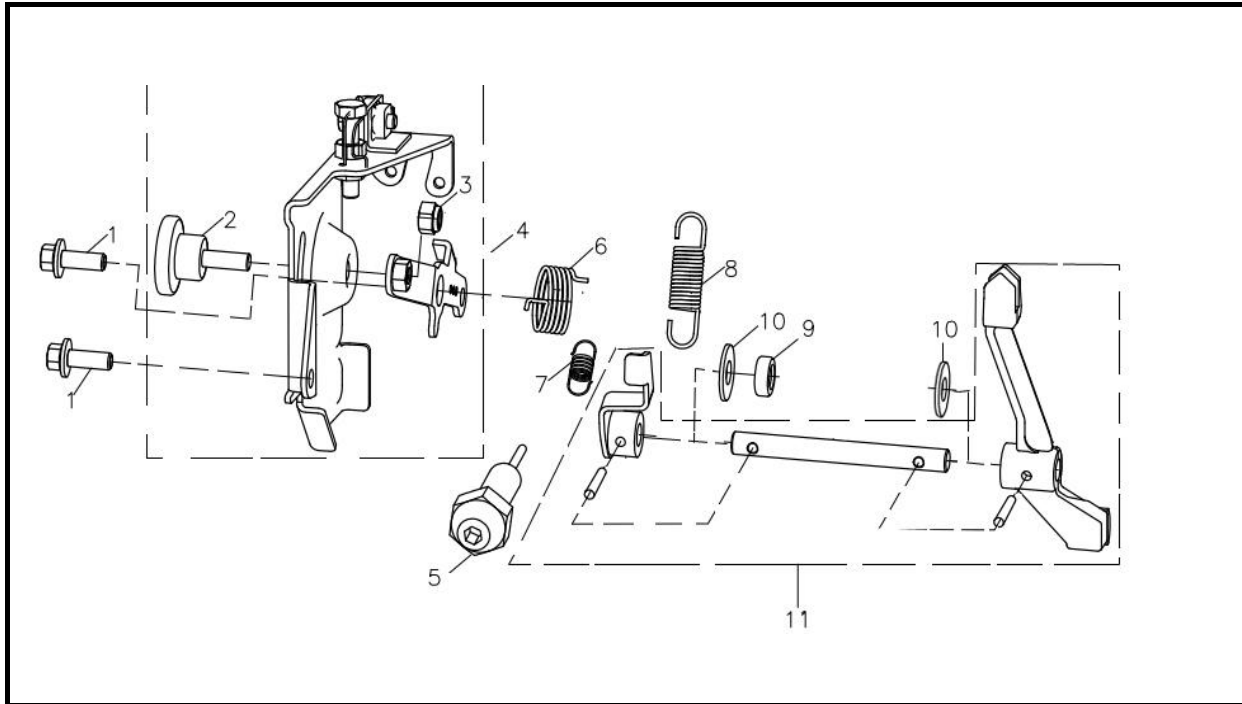
燃油系统 (Fuel System)

序号	零部件图号	Description	
No.	Part No.		LC178FD
1	170010030-0001	Fuel filter	1
2	660310019-0001	Seal,Fuel net	1
3	170870089-0001	Cap Comp.	1
4	170500800-0001	Fuel tank	1
5	171020032-0001	Seal,Fuel Tap	1
6	170980092-0001	Fuel Tap Assy.	1
7	380370066-0004	Nut,Flange M6	7
8	380960198-0001	Lathe dog comp.Φ13	2
9	380750486-0001	Vitta	1
10	380140004-0004	Bolt,Flange M8×20	2
11	301560017-0001	Fuel tank, bracket	1
12	170700141-0001	Bush Rubber	4
13	110260056-0001	Seal plug M12×1.25×14	1
14	380450916-0001	Washer φ12.5×φ20×2	1



燃油系统 (Fuel System)

序号	零部件图号	Description	LC178FD
No.	Part No.		
28	170720010-0001	Fuel Filler, Assy.	1
29	301560016-0001	Underprop, Fuel tank	1
30	380140005-0006	Bolt, Flange M8x40	2



调速系统 (Governor System)

序号 No.	零部件图号 Part No.	Description	LC178FD
1	380140215-0003	Bolt, Flange M6×14	2
2	171340029-T270	Knob control	1
3	380350008-0001	Nonmetal hexagon nuts M6	1
4	171580019-0001	Control assy	1
5	174230001-0001	Fuel stop assy.	1
6	381160150-0001	Torsional spring	1
7	381140478-0001	spring	1
8	171600042-0001	Spring, Governor	1
9	380650377-0001	Oil seal 8×14×5	1
10	380450592-0001	Washer φ8.5×φ15.8×2	2
11	194530005-0001	Fork	1



隆鑫通用动力股份有限公司

Loncin motor co., Ltd.

详细地址：重庆市九龙坡区九龙工业园区华龙大道99号

Add:No.99Hualong Road, Jiulongpo District, Chongqing, China

Tel:86 23 8980 5678/86 23 8980 8505

Fax:86 23 8906 7566

Email:service@loncinengine.com

Website:www.loncinengine.com

PRINTED IN CHINA