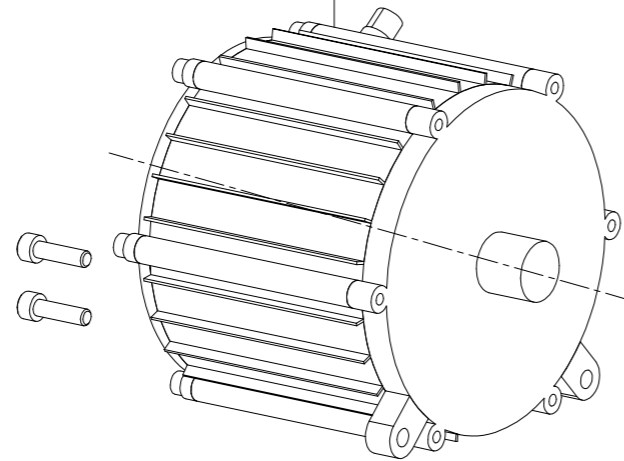
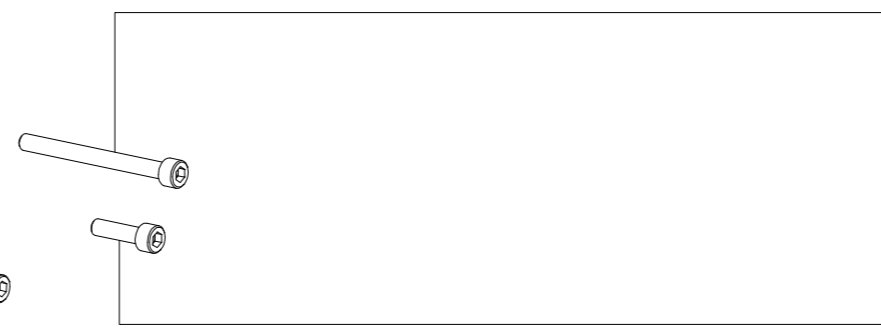


41-1-1



41-3

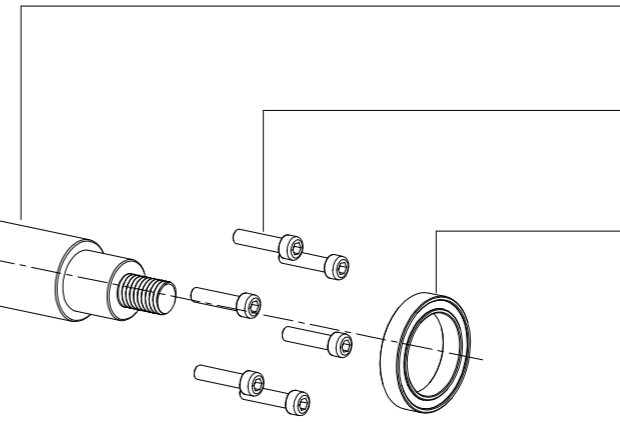


41-4

41-5

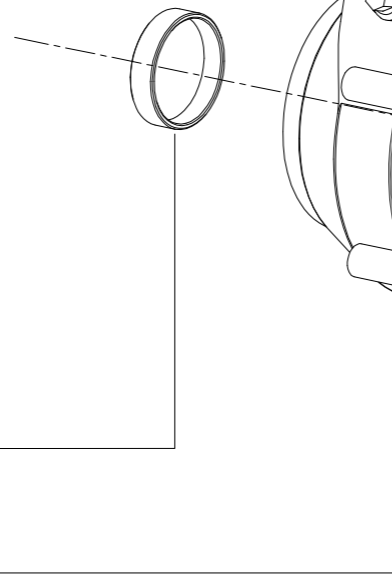
41-6

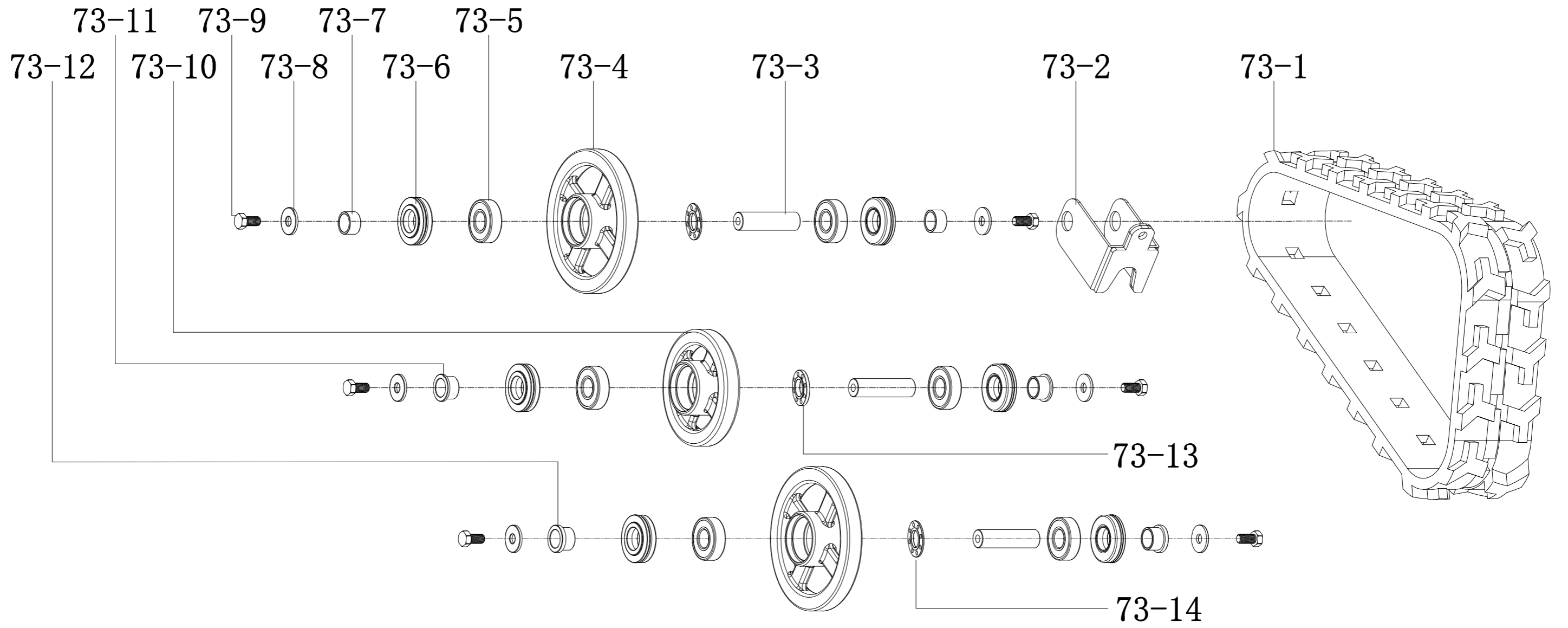
41-7



41-2

41-1-2





72-1  
72-2

72-3

72-4

72-5

72-6

72-7

72-8

72-9

72-10

72-11

72-12

72-13

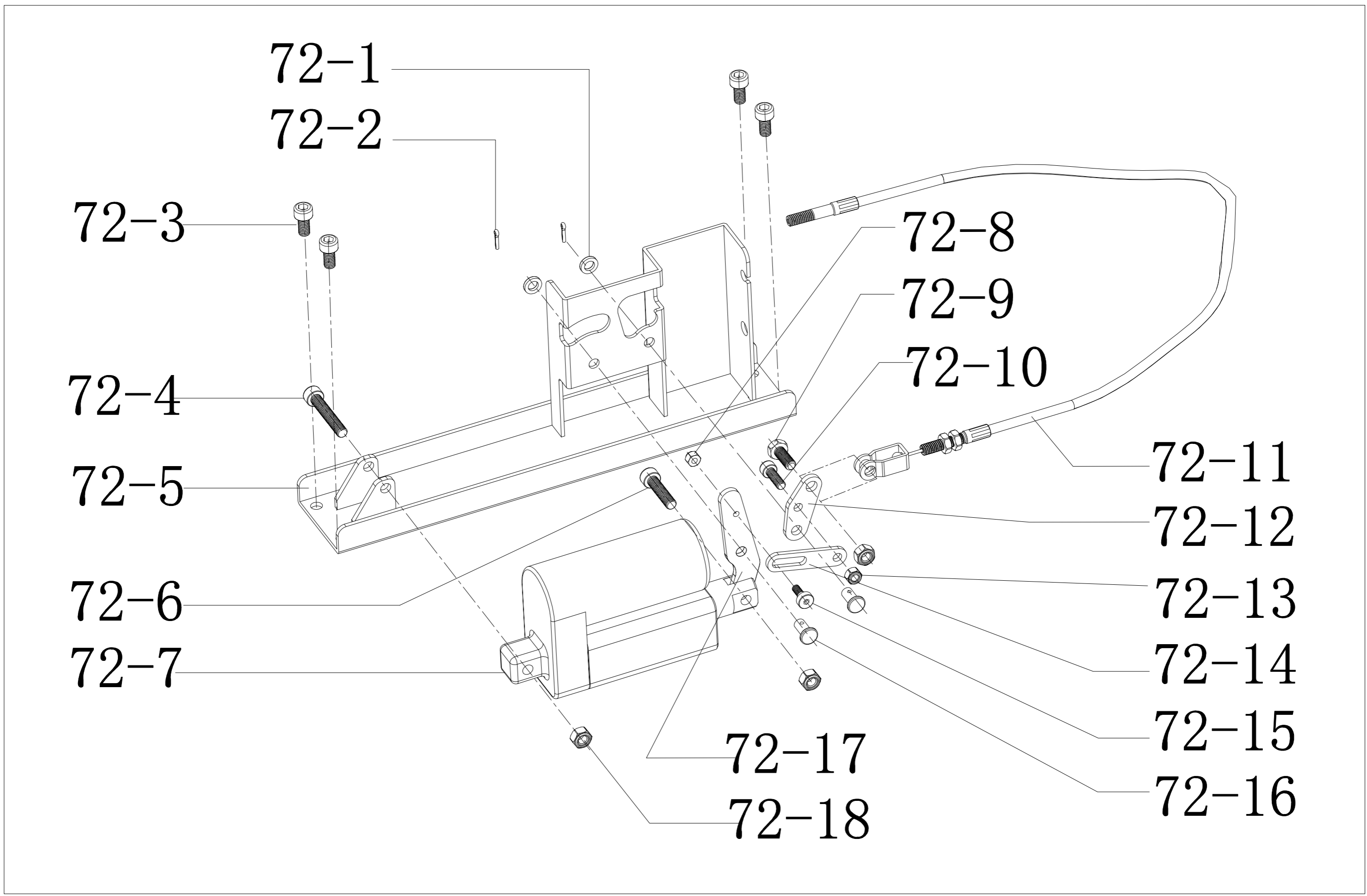
72-14

72-15

72-16

72-17

72-18



## FM 24-70 EXPLODED BOM LIST

EXPLODED NO.	HK-CODE	DESCRIPTION	UNIT	PCS
	9031012100000		套	1
	8010002023000		Pcs	1
1	3020100117200	Upper cover	Pcs	1
2	3020100115300	Top cover trim plate	Pcs	1
3	3020100115700	Left side window	Pcs	1
4	3020100115400	Left panel	Pcs	1
6/14	3100000022000	Screw	Pcs	14
7	3105201240000	Screw	Pcs	4
9	3020101700000	Gas strut	Pcs	2
10	3052100000200	Butterfly hinge	Pcs	2
12/72-18	3103000143500	Nut	Pcs	3
14	3020100115600	Right side window	Pcs	1
15	3020100115500	Right panel	Pcs	1
16	3020100101000	Quick lock	Pcs	2
18	3020100116500	Battery platen	Pcs	1
20	3020100716000	Cabinet door flat lock	Pcs	1
21	3020100117700	Fan shutter	Pcs	2
24	5030500080000	12V20AH lead-acid battery pack	Pcs	2
23/151	3020101830000	Fire trench	Pcs	0,32
25	7011600001209	* Main control board components	Pcs	1
25-1/25-12	3103000154000	Screw	Pcs	16
25-2	3020100113600	Controller bracket	Pcs	4
25-3	2130000400000	Safety plate	Pcs	4
25-4	3020100110720	Copper connection piece	Pcs	2
25-5/25-9	3103000174000	Screw	Pcs	4
25-6	2130000100000	Fuse holder	Pcs	1
25-7	3020100113400	Main control board bottom plate	Pcs	1
25-8	2180900980000	Switch	Pcs	1
25-10	3140100260000	Gasket	Pcs	2
25-11	3020101660000	Card track	Pcs	1
25-13	3020100113500	Main control board cover	Pcs	1
25-14	4010100523000	Control panel	Pcs	2
25-15	3101100301000	Screw	Pcs	4
25-16	4010100524000	Control panel	Pcs	1
25-17	3100111031000	Screw	Pcs	4
25-18	3092301610000	Cushioned rubber pad	Pcs	4
26	3020100110660	Battery base	Pcs	1
27	3010600890000	Fuel tank cap assembly	Pcs	1
28	3020100116200	Fuel tank	Pcs	1
29	3105201330000	Screw	Pcs	2
30	2181000050000	Charging port with cover pin word	Pcs	1
31	2070100010000	Mushroom-head antenna	Pcs	1
32	3020100894000	Scram switch	Pcs	1

## FM 24-70 EXPLODED BOM LIST

EXPLODED NO.	HK-CODE	DESCRIPTION	UNIT	PCS
33	3030336051000	Warning light	Pcs	1
34	3020102104800	Cable waterproof joint	Pcs	3
35	3020100116800	Rack group	Pcs	1
36	3109000006000	Nut	Pcs	2
37	3140100350000	Gasket	Pcs	2
39	3020100110810	Track drive wheel	Pcs	2
40	3105201230000	Screw	Pcs	10
41-1	5010900230000	Brushless motor	Pcs	2
41-2	3020100110870	Smothered oil seal	Pcs	2
41-3	3105201670000	Screw	Pcs	2
41-4	3105201660000	Screw	Pcs	8
41-5	3020100114500	Driving wheel spindle	Pcs	2
41-6	3105200151000	Screw	Pcs	12
41-7	3020100110880	Double lip oil seal	Pcs	2
42/98	3140100340000	Gasket	Pcs	26
43/97	3150401440000	Spring washer	Pcs	26
44	3020100114900	Double lip oil seal	Pcs	2
45	3020100110560	Frame bearing connection shaft	Pcs	4
46/106	3120100070000	Deep groove ball bearing	Pcs	20
47/107	3080000090000	Drill spring	Pcs	20
48	3140100310000	Gasket	Pcs	16
49/114	3100110180000	Screw	Pcs	29
50/105	3092300223000	End cover oil seal	Pcs	16
51	3100111020000	Screw	Pcs	2
53	3030336048000	LED left and right triangle lights	Pcs	1
54	3020100110440	Headlight right guard	Pcs	1
55	3103000154000	Screw	Pcs	13
56	3108110780000	Screw	Pcs	2
57	5040900022000	Electric push rod	Pcs	2
59	3105201290000	Screw	Pcs	2
60	3180100002000	Connecting rod	Pcs	2
62	3020100115800	Rear linkage bracket - left	Pcs	1
63	3020100110570	Connecting rod bearing connecting	Pcs	4
65	3020100110270	Front connecting rod bracket - left	Pcs	1
66/77/84/152	3105201490000	Nut	Pcs	16
69	3020100115900	Rear linkage bracket - right	Pcs	1
70	5010111824000	Gasoline engine	Pcs	1
71/87	3120001500000	Screw	Pcs	6
72	7011600000909	* Clutch throttle group	Pcs	1
72-1	3140100150000	Gasket	Pcs	2
72-10	3104200350000	Screw	Pcs	1
72-11	2070100030000	Valve cable	Pcs	1
72-12	3020100110070	Hinge bracket 2	Pcs	1

## FM 24-70 EXPLODED BOM LIST

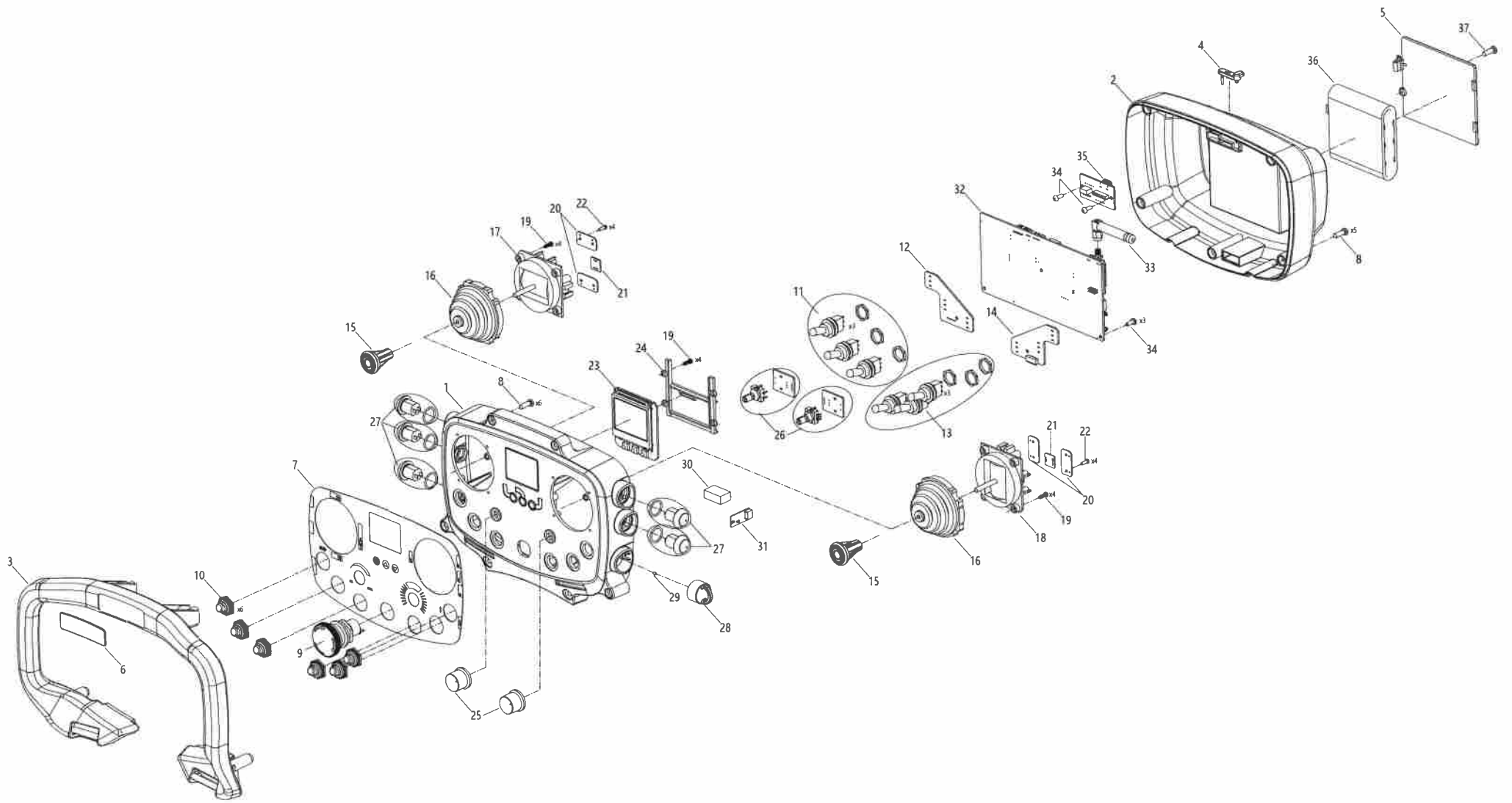
EXPLODED NO.	HK-CODE	DESCRIPTION	UNIT	PCS
72-13	3105201500000	Nut	Pcs	1
72-14	3020100110080	Hinge bracket 3	Pcs	1
72-15	3105201450000	Equal height screw	Pcs	1
72-16	3060100010000	Dowel	Pcs	2
72-17	3020100110910	Hinge bracket 1	Pcs	1
72-2	3060100020000	Cotter pin	Pcs	2
72-3	3104200102100	Screw	Pcs	4
72-4	3105201400000	Screw	Pcs	1
72-5	3020100110360	Throttle control support	Pcs	1
72-6	3105201430000	Screw	Pcs	1
72-7	5040900020000	Electric push rod	Pcs	1
72-8	3105201510000	Nut	Pcs	1
72-9	3105201250000	Screw	Pcs	1
73	7011600001309	* Track assembly	Pcs	1
73-1	3020100117000	Caterpillar belt	Pcs	2
73-10	3020100800000	Weight roller	Pcs	2
73-11	3020100840000	Weight wheel block 2	Pcs	4
73-12	3020100850000	Weight wheel block 3	Pcs	4
73-13	3020100139000	130 wheel spacer rings	Pcs	2
73-14	3020100141000	160 wheel spacer rings	Pcs	4
73-2	3020100114600	Track tensioner bracket	Pcs	1
73-3	3051000180000	Center shaft	Pcs	6
73-4	3020100790000	Weight roller	Pcs	4
73-5	3120100060000	Deep groove ball bearing	Pcs	12
73-6	3120100050000	Support wheel seal	Pcs	12
73-7	3020100110200	Weight wheel block 1	Pcs	4
73-8	3140100130000	Gasket	Pcs	12
73-9	3105201260000	Screw	Pcs	12
74	3100200170000	Screw	Pcs	10
75	3105200262200	Screw	Pcs	8
76	5040900050000	Dynamo	Pcs	1
78/81/89/91/92 /136/157	3140100330000	Gasket	Pcs	32
79	3150401450000	Spring washer	Pcs	7
8/58	3103000143500	Nut	Pcs	13
80	3100110160000	Screw	Pcs	4
82	3020100110510	Generator contour set	Pcs	1
83	3020100110300	Generator plate	Pcs	1
85	3180900038000	Screw	Pcs	1
86	3100111010000	Screw	Pcs	1
88	3020100110350	Generator tension support	Pcs	1
90	3100111050000	Screw	Pcs	1
93	3080000100000	Tubing collar	Pcs	2

## FM 24-70 EXPLODED BOM LIST

EXPLODED NO.	HK-CODE	DESCRIPTION	UNIT	PCS
94	3090200260000	Oil delivery pipe	Pcs	1
95	3020100117800	Tank right support	Pcs	1
96	3105201220000	Screw	Pcs	8
99	3092301600000	Cushioned rubber pad	Pcs	0,25
100	3020100110220	Chassis stiffener	Pcs	1
101	3105201250000	Screw	Pcs	5
102	3150401430000	Spring washer	Pcs	4
103	3140100280000	Gasket	Pcs	8
104	3020100110210	Exhaust pipe	Pcs	1
108	3020100117100	Base plate	Pcs	1
109	3020100110700	Chain retaining plate	Pcs	2
5/11/13	3100110350000	Screw	Pcs	22
110	3020100110710	Iron chain	Pcs	76
111	3020100110690	Chain clamp	Pcs	2
112	3092300380000	Triangular belt	Pcs	2
113	3020100110230	Belt guard	Pcs	1
115	3020100110640	Engine square pin	Pcs	1
116	3020100110500	Engine pulley	Pcs	1
117	3020100110490	Swing knife holder	Pcs	1
118	3105201480000	Nut	Pcs	2
119	3020100111100	Blade washer	Pcs	2
120	3020100110550	Flail	Pcs	1
121	3140100400000	Gasket	Pcs	4
122	3150401450000	Spring washer	Pcs	4
123	3020100110590	Throwing blade	Pcs	2
124	3020100110680	Blade screw	Pcs	2
125	3020100110980	Knife rest pressure plate	Pcs	2
126	3100110160000	Screw	Pcs	4
127	3100110130000	Screw	Pcs	1
128	3105201850000	Screw	Pcs	8
129	3104200102100	Screw	Pcs	7
130	3100111120000	Screw	Pcs	2
131	3020100897000	Scram switch protective cover	Pcs	1
132	3080000120000	Drill spring	Pcs	2
133	3130028270000	Needle roller bearing	Pcs	2
134	3020100116900	Main shaft bearing sleeve	Pcs	2
135	3105201260000	Screw	Pcs	16
137	3020100117300	Track down guide	Pcs	4
138	3020102104700	Cable waterproof joint	Pcs	4
139	2181000100000	Relay	Pcs	1
140	3100111030000	Screw	Pcs	2
141	2130000200000	Safety plate	Pcs	2
142	2130000110000	Fuse holder	Pcs	2

## FM 24-70 EXPLODED BOM LIST

EXPLODED NO.	HK-CODE	DESCRIPTION	UNIT	PCS
143	3103000174000	Screw	Pcs	12
144	3020100116700	Fan clamp	Pcs	2
145	3030615041000	Fan	Pcs	2
146/153	3100111130000	Screw	Pcs	6
147	3150401420000	Spring washer	Pcs	1
148		Headlight left guard		1
149	3105201680000	Screw	Pcs	6
154				
155	3020100116100	Tank left support	Pcs	1
156	2180900970000	Switch	Pcs	1
	5044001010000	28V84W charger	Pcs	1
	1021001040000	Power cord	Pcs	1
	8150000001100	Remote control unit	Pcs	1
	B030000810000	Toolbox	Pcs	1



FOR BLUEBIRD FM24-70 REMOTE CONTROL PARTS

EXPLORED NO.	HK-CODE	DESCRIPTION	UNIT	PCS
1	3010901176000	Upper cover	Pcs	1
2	3010901113001	Lower cover	Pcs	1
3	3010901115000	Guardrail bracket	Pcs	1
4	3092305300000	Charging plug	Pcs	1
5	3010901116000	Battery compartment cover	Pcs	1
6	3190100540000	LOGO sticker	Pcs	1
7	3190100530000	Operating interface sticker	Pcs	1
8	3100110910000	screw	Pcs	11
9	4011302300000	Scram switch assembly	Pcs	1
10	3092305210000	tarpaulin	Pcs	1
11	2010004520000	Dip switch	Pcs	1
12	2120001127900	PCB board	Pcs	1
13	2010004510000	Dip switch	Pcs	1
14	2120001127800	PCB board	Pcs	1
15	3010901117000	Rocker cap	Pcs	2
16	3092305200000	Waterproof cover	Pcs	2
17	4011302100000	Direct-facing remote bar assembly	Pcs	1

EXPLORED NO.	HK-CODE	DESCRIPTION	UNIT	PCS
18	4011302200000	Side remote bar assembly	Pcs	1
19	3100110650000	screw	Pcs	12
20	3013100410060	Stop block	Pcs	4
21	4010100452000	Push rod plate	Pcs	2
22	3100110450000	screw	Pcs	8
23	4010100487000	Display panel	Pcs	1
24	3080700370000	Support cover	Pcs	1
25	3010901118000	Adjusting knob	Pcs	1
26	4010100488000	Governor plate	Pcs	1
27	2010004540000	Knob switch	Pcs	1
28	3010901114000	Key	Pcs	1
29	3160003000000	magnet	Pcs	1
30	3013100430010	gasket	Pcs	4
31	4010100494000	Key board	Pcs	1
32	4010100536000	Main control board	Pcs	1
33	2070100020000	External antenna	Pcs	1
34	3100100190100	screw	Pcs	7
35	4010100491000	TYPEC board	Pcs	1

EXPLORED NO.	HK-CODE	DESCRIPTION	UNIT	PCS
36	7140033090009	Cell assembly	Pcs	1
37	3100100201100	screw	Pcs	1