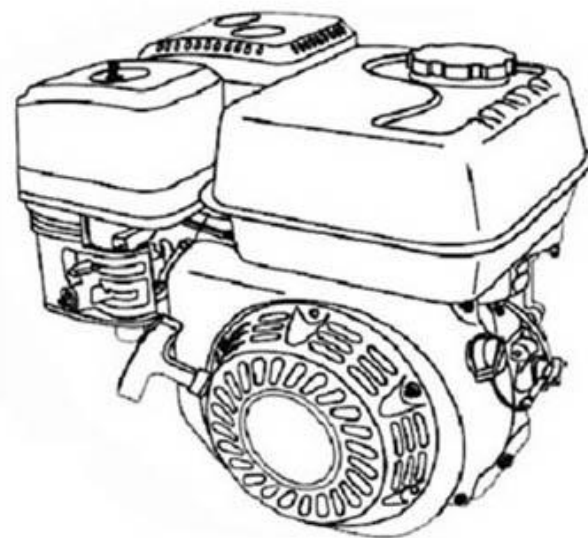


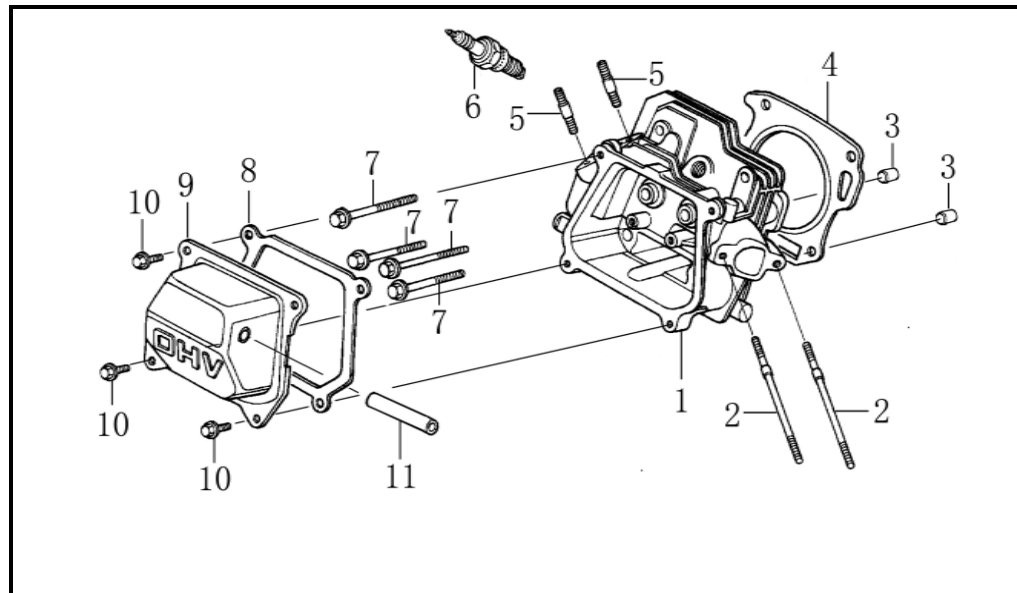
LONCIN 隆鑫

汽油机零部件图册
DRAWING OF ENGINING

G200F

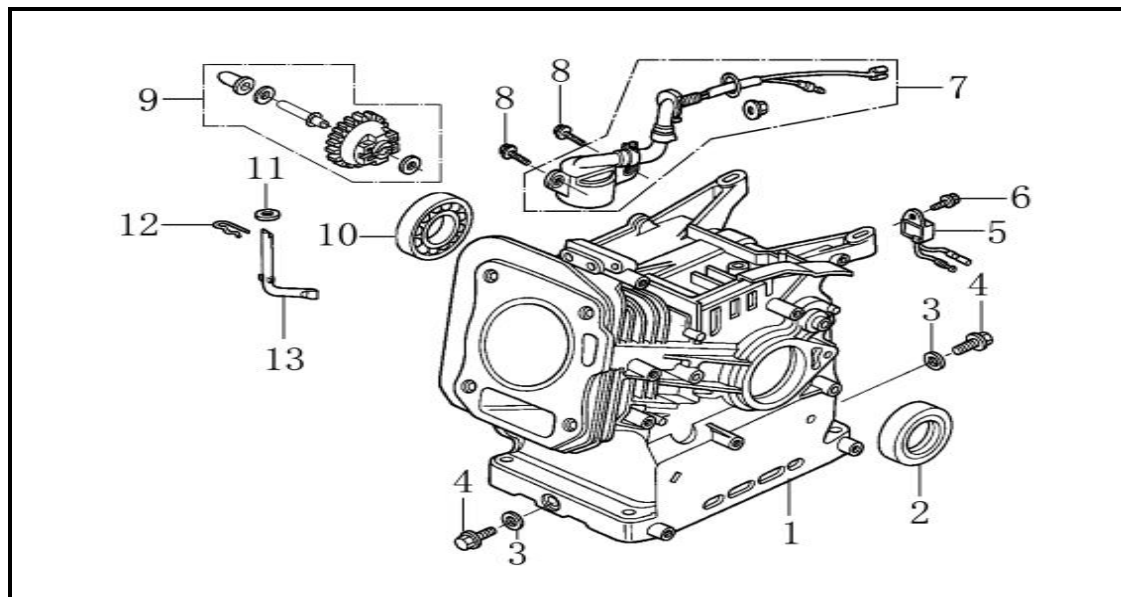


隆鑫通用动力股份有限公司
LONCIN MOTOR CO., LTD



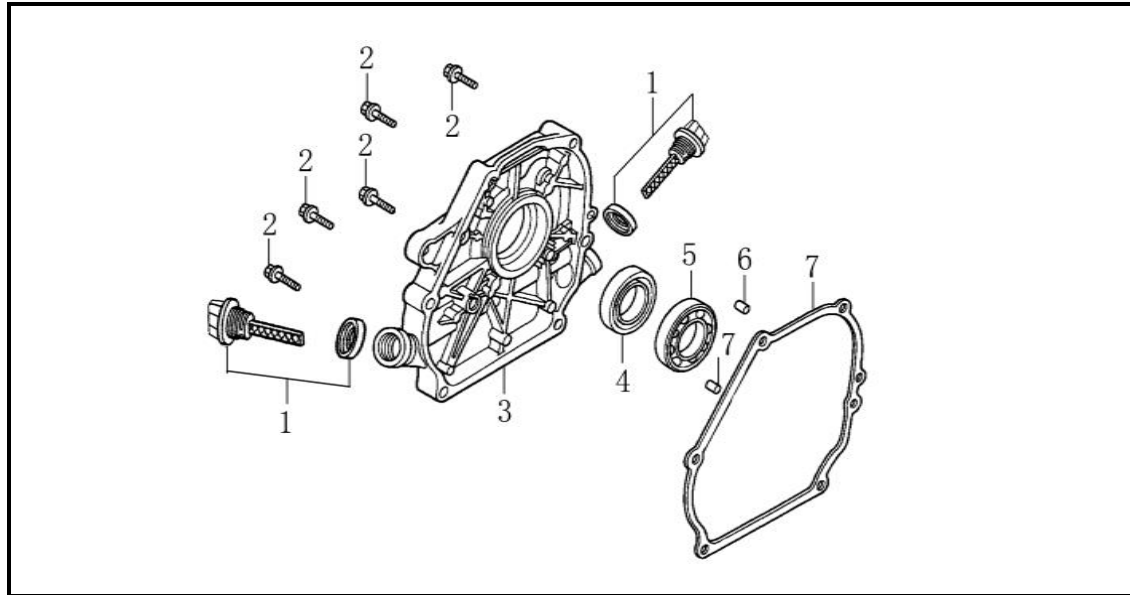
气缸头 (CYLINDER HEAD)

序号	零部件号	Description	数量	易损属性
No.	Part No.		Reqd. QTY	CONSUMABLE GRADE
1	120080276-0001	HEAD COMP ., CYLINDER	1	B
2	380180093-0001	BOLT , STUD , IN.	2	C
3	380600117-0001	PIN , DOWEL	2	C
4	120150070-0001	GASKET , CYLINDER	1	A
5	380180098-0001	BOLT , STUD , EX.	2	C
6	270960014-0001	PLUG , SPARK	1	A
7	380140336-0001	BOLT , FLANGE	4	C
8	120250013-0001	PACKING , HEAD COVER	1	A
9	120220008-0001	COVER COMP ., HEAD	1	C
10	380140215-0003	BOLT , FLANGE	4	C



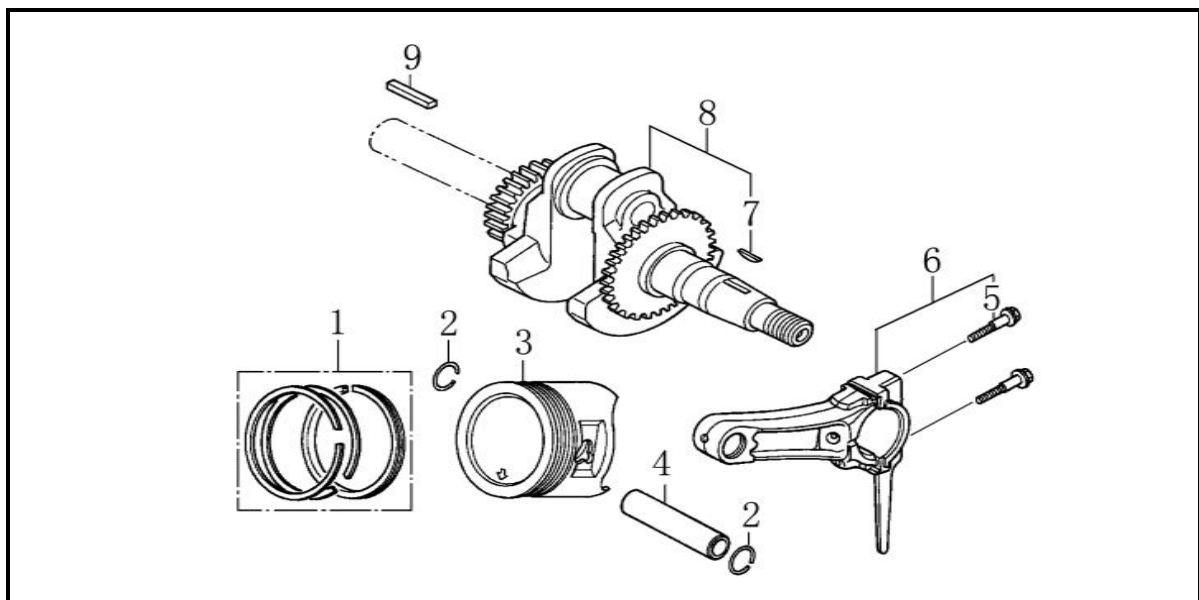
曲轴箱体 (CRANK CASE)

序号	零部件件号	Description	数量	单位	易损属性
No.	Part No.		Reqd. QTY	UNIT	CONSUMABLE GRADE
1	110810006-0001	CRANK CASE	1	件/PIECES	B
2	380650334-0001	OIL SEAL	1	件/PIECES	A
3	380450514-0001	WASHER , DRAIN PLUG	2	件/PIECES	C
4	110260025-0001	BOLT , DRAIN PLUG	2	件/PIECES	C
5	281890001-0001	ALART UNIT , OIL	1	件/PIECES	A
6	380140011-0004	BOLT , FLANGE	1	件/PIECES	C
7	281850150-0001	OIL LEVEL SWITCH	1	套/SETS	A
8	380140215-0003	BOLT , FLANGE	2	件/PIECES	C
9	171750002-0001	GOVERNOR GEAR ASSY.	1	套/SETS	B
10	380630137-0002	BEARING , RADIAL BALL	1	件/PIECES	B
11	380450531-0001	WASHER , PLAIN	1	件/PIECES	C
12	381350004-0001	PIN , LOCK	1	件/PIECES	B
13	171630001-0001	SHAFT , GOVERNOR ARM	1	件/PIECES	B



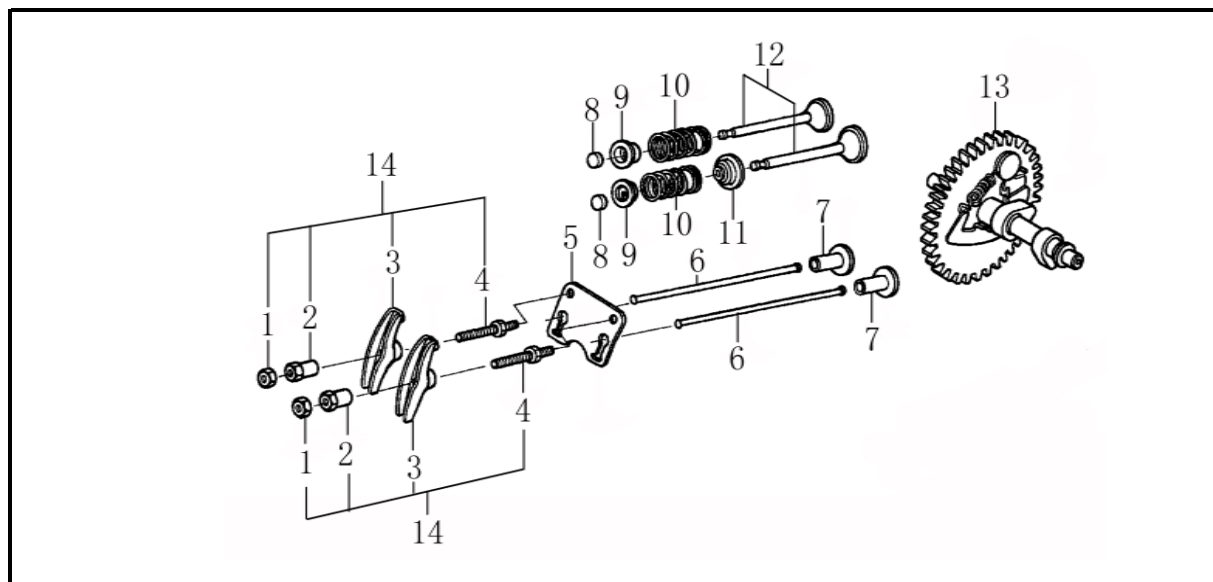
曲轴箱盖 (CRANK CASE COVER)

序号	零部件件号	Description	数量	单位	易损属性
No.	Part No.		Reqd. QTY	UNIT	CONSUMABLE GRADE
1	110690035-0001	GAUGE ASSY., OIL LEVEL	2	套/SETS	B
2	380140028-0004	BOLT , FLANGE	6	件/PIECES	C
3	110820014-0001	CASE COVER	1	件/PIECES	C
4	380650334-0001	OIL SEAL	1	件/PIECES	A
5	380630137-0002	BEARING	1	件/PIECES	B
6	380600120-0001	PIN , DOWEL	2	件/PIECES	C
7	110830007-0001	PACKING , CASE COVER	1	件/PIECES	A



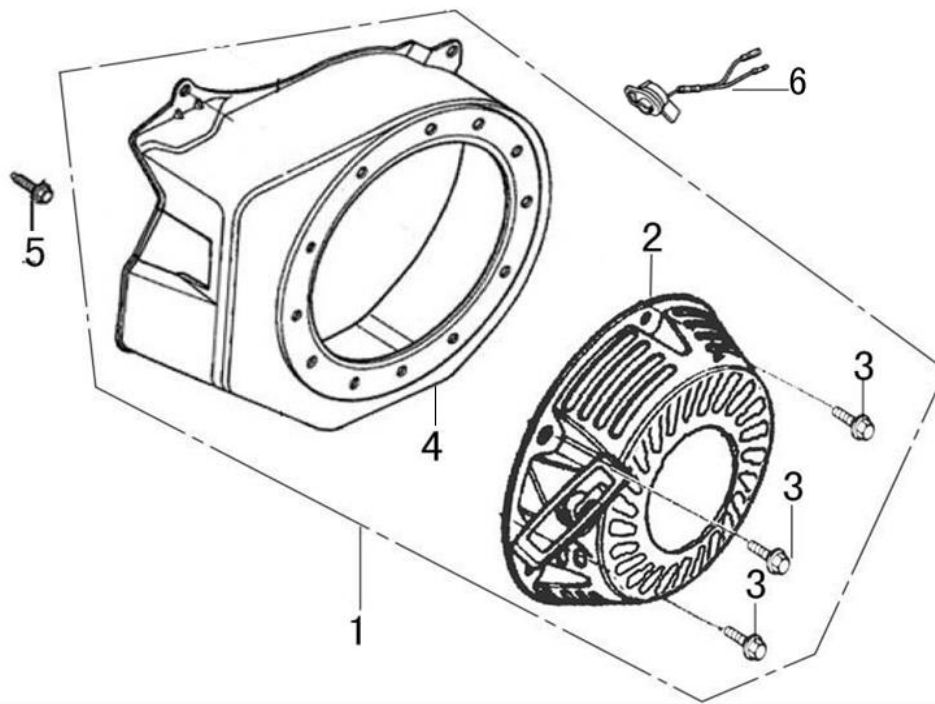
曲轴/活塞 (CRANKSHAFT/PISTON)

序号	零部件件号	Description	数量	单位	易损属性
No.	Part No.		Reqd. QTY	UNIT	CONSUMABLE GRADE
1	130070079-0001	RING SET	1	套/SETS	A
2	380560056-0001	CLIP , PISTON PIN	2	件/PIECES	B
3	130030083-0001	PISTON	1	件/PIECES	A
4	130060031-0001	PIN , PISTON	1	件/PIECES	B
5	130180001-0001	BOLT,CONNECTING ROD	2	件/PIECES	C
6	130150039-0001	ROD ASSY ., CONNECTING	1	套/SETS	B
7	380620050-0001	KEY	1	件/PIECES	B
8	130290050-0001	CRANKSHAFT COMP	1	套/SETS	B



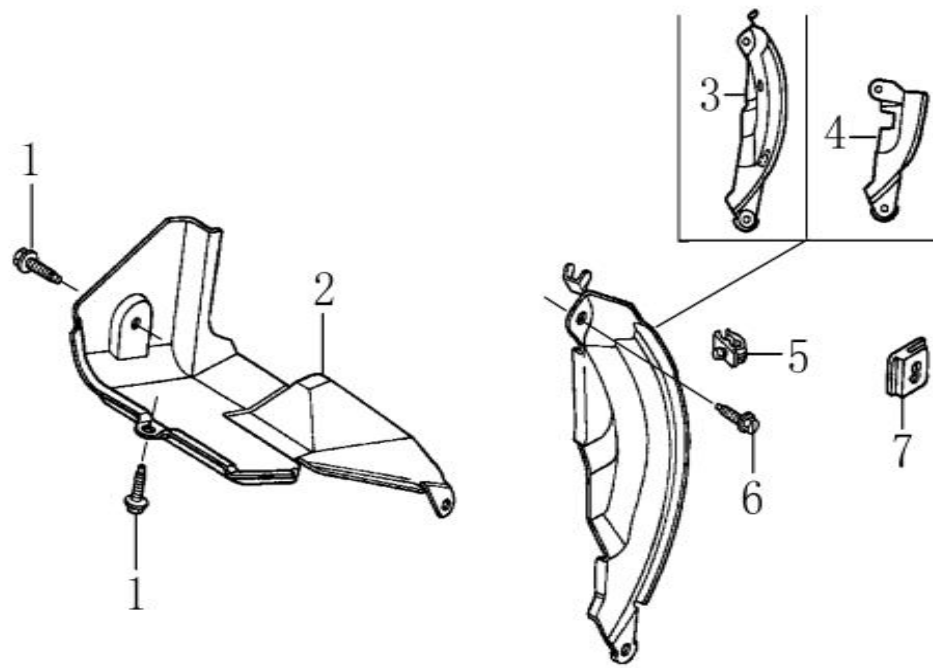
配气系统 (GAS DISTRIBUTION ADJUSTMENT)

序号	零部件件号	Description	数量	单位	易损属性
No.	Part No.		Reqd. QTY	UNIT	CONSUMABLE GRADE
1	140470001-0001	NUT , PIVOT ADJUSTING	2	件/PIECES	B
2	140490012-0001	PIVOT , ROCKER ARM	2	件/PIECES	B
3	140460030-0001	ARM , VALVE ROCKER	2	件/PIECES	B
4	140480012-0001	BOLT , PIVOT ARM	2	件/PIECES	B
5	140710001-0001	PLATE , PUSH ROD GUIDE	1	件/PIECES	B
6	140670004-0001	ROD , PUSH	2	件/PIECES	B
7	140690003-0001	LIFTER , VALVE	2	件/PIECES	B
8	140320001-0001	RATATOR , VALVE	2	件/PIECES	B
9	140380017-0001	RETAINER , VALVE SPRING	2	件/PIECES	B
10	140340022-0001	SPRING , VALVE	2	件/PIECES	B
11	140400011-0001	SEAL , GUIDE	1	件/PIECES	A
12	500550024-0001	VALVE COMP.	1	套/SETS	B
13	140020114-0001	CAMSHAFT ASSY.	1	件/PIECES	B
14	140450022-0001	ARM COMP.	2	套/SETS	B



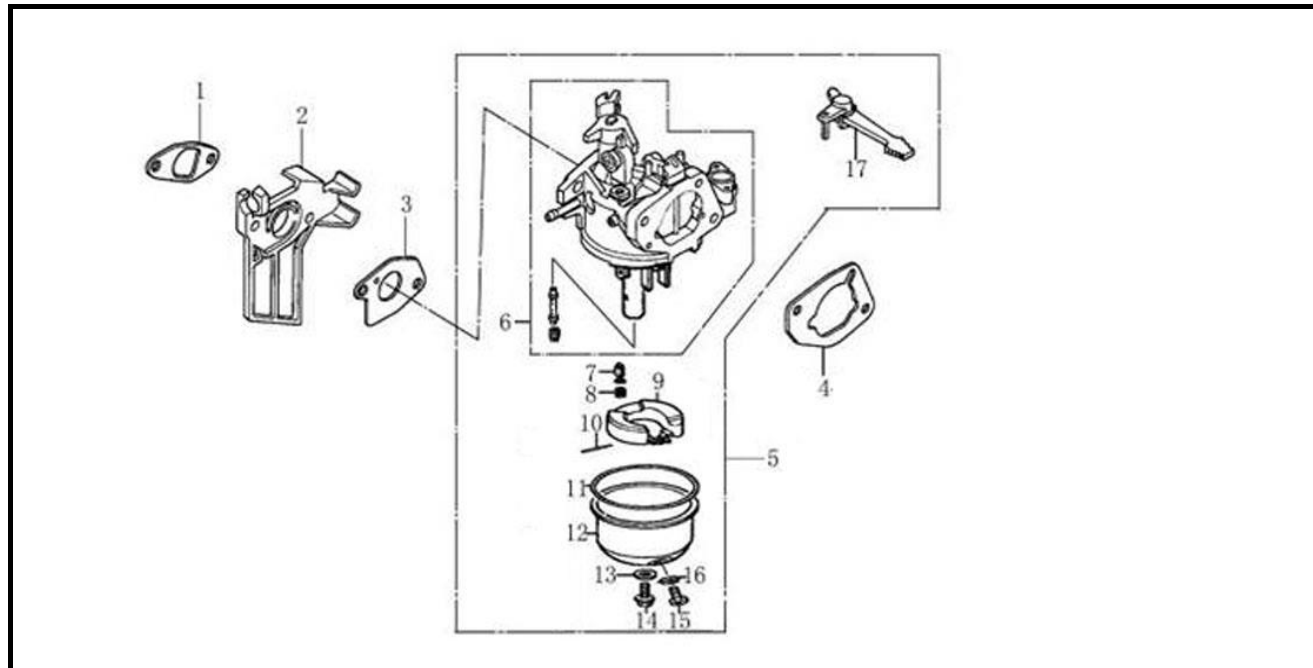
起动机组件 (STARTER SUBASSEMBLY)

序号	零部件件号	Description	数量	单位	易损属性
No.	Part No.		Reqd. QTY	UNIT	CONSUMABLE GRADE
1	193490011-0002	RECOIL STARTER COMP.	1	套/SETS	B
2	193500008-0002	STARTER ASSY.	1	套/SETS	B
3	380140089-0003	BOLT , FLANGE	3	件/PIECES	C
4	160210005-0002	COVER COMP ., FAN	1	件/PIECES	C
5	380140011-0004	BOLT , FLANGE	4	件/PIECES	C
6	271660028-0001	SWITCH ASSY., ENGINE STOP	1	件/PIECES	A



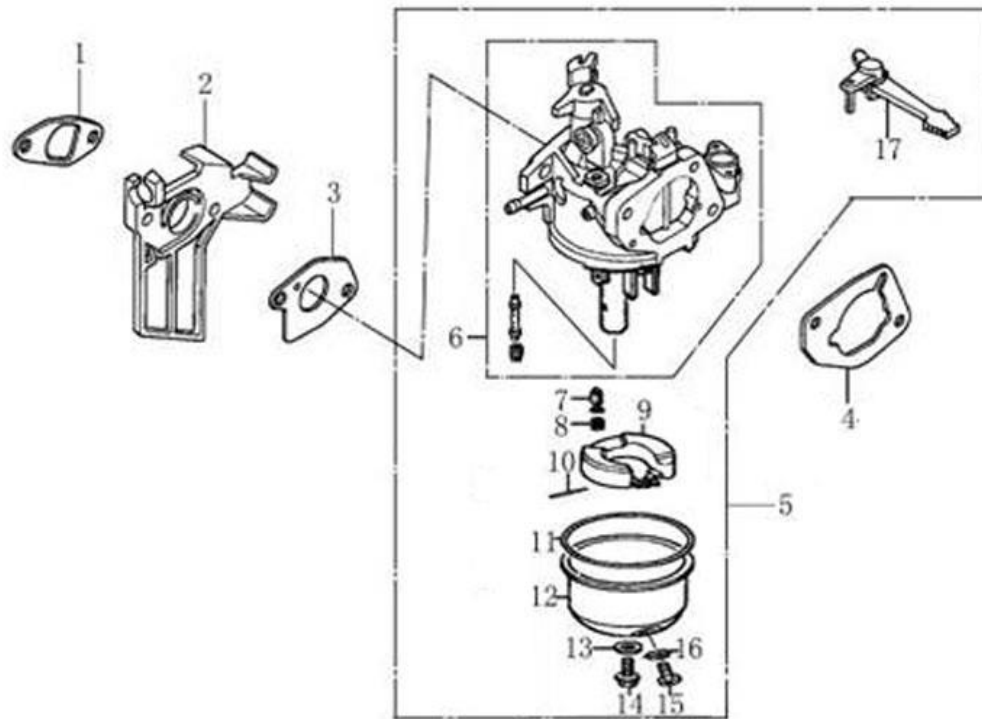
导风部件(DIVERSION ASSY.)

序号	零部件件号	Description	数量	单位	易损属性
No.	Part No.		Reqd. QTY	UNIT	CONSUMABLE GRADE
1	380140089-0003	BOLT , FLANGE	2	件/PIECES	C
2	160190009-0001	SHROUD COMP	1	件/PIECES	C
3	160200011-0001	PLATE , SIDE	1	件/PIECES	C
6	380140003-0005	BOLT , FLANGE	1	件/PIECES	C



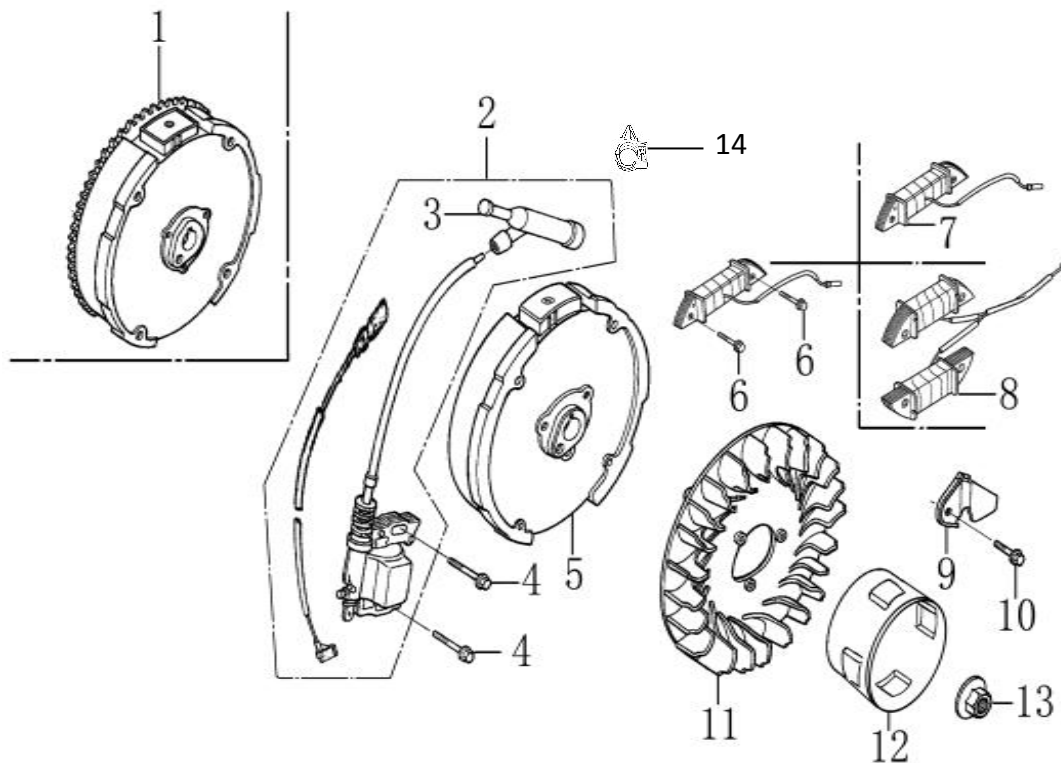
化油器 (CARBURETOR)

序号	零部件件号	Description	数量	单位	易损属性
No.	Part No.		Reqd. QTY	UNIT	CONSUMABLE GRADE
1	170430060-0001	PACKING , INSULATOR	1	件/PIECES	A
2	170440038-0001	INSULATOR , CARBURETOR	1	件/PIECES	B
3	170430048-0001	PACKING ., CARBURETOR	1	件/PIECES	A
4	170430065-0001	SPACER COMP ., AIR CLEANER	1	件/PIECES	A
5	170021086-0001	CARBURETOR	1	套/SETS	B
6	170160032-T050	CARBURETOR' S NOUMENON	1	套/SETS	B
7	170180050-0001	VALVE , FLOAT	1	件/PIECES	B
8	381150336-0001	SPRING , VALVE SET	1	件/PIECES	A
9	170280019-0001	FLOAT	1	件/PIECES	B
10	170290017-0001	PIN , FLOAT	1	件/PIECES	C
11	380840455-0001	GASKET , OIL CUP	1	件/PIECES	A
12	170250021-0001	OIL CUP	1	件/PIECES	C
13	380450539-0001	GASKET , OIL CUP BOLT	1	件/PIECES	A
14	380140353-0001	BOLT , OIL CUP	1	件/PIECES	C



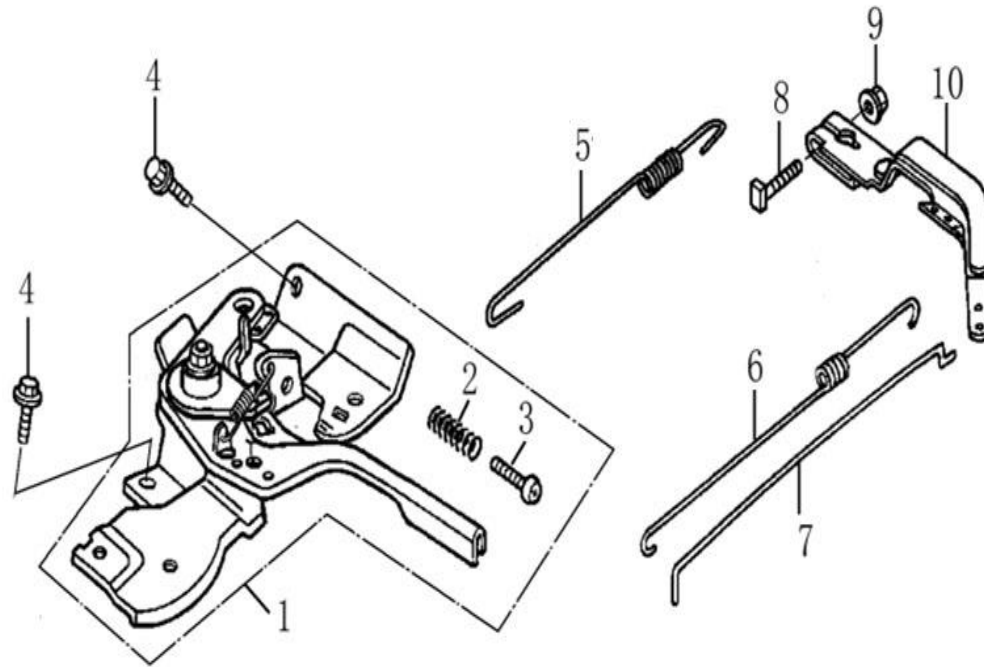
化油器 (CARBURETOR)

序号	零部件件号	Description	数量	单位	易损属性
No.	Part No.		Reqd. QTY	UNIT	CONSUMABLE GRADE
15	172930001-0001	BOLT , DRAIN	1	件/PIECES	C
16	380450577-0001	GASKET , DRAIN BOLT	1	件/PIECES	A
17	172920001-0001	LEVER ASSY. , CHOKE	1	件/PIECES	B



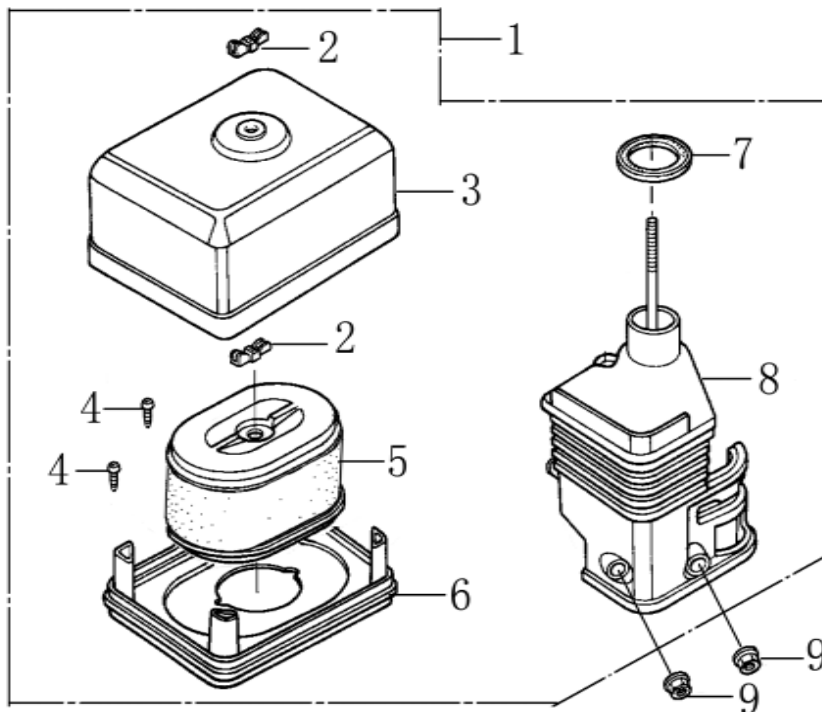
转子部件（飞轮）/点火线圈（FLYWHEEL/COIL ASSY.）

序号	零部件件号	Description	数量	单位	易损属性
No.	Part No.		Reqd. QTY	UNIT	CONSUMABLE GRADE
2	270920162-0001	COIL ASSY . , IGNITION	1	套/SETS	A
3	270950040-0001	CAP ASSY . , NOISE SUPPRESSOR	1	件/PIECES	A
4	380140102-0004	BOLT , FLANGE	2	件/PIECES	C
5	270020097-0001	FLYWHEEL COMP	1	件/PIECES	B
11	160180007-0001	FAN , COOLING	1	件/PIECES	A
12	193590005-0001	PULLEY , STARTER	1	件/PIECES	B
13	380370051-0001	NUT , SPECIAL	1	件/PIECES	C
14	140280001-0001	CLIP, ONE WAY VALVE	1	件/PIECES	B



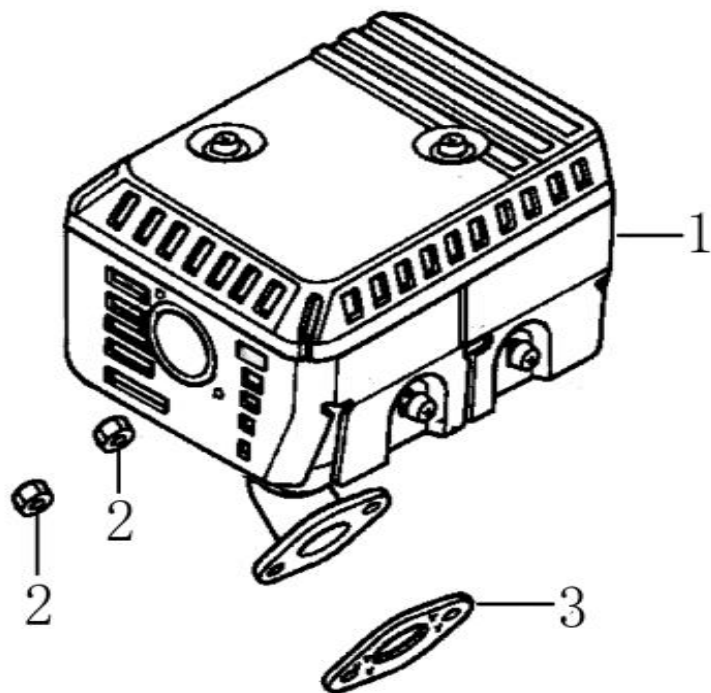
调速控制系统 (CONTROL SYSTEM)

序号	零部件件号	Description	数量	单位	易损属性
No.	Part No.		Reqd. QTY	UNIT	CONSUMABLE GRADE
1	171680006-0001	CONTROL ASSY.	1	套/SETS	B
2	171660001-0001	SPRING	1	件/PIECES	A
3	380200017-0005	SCREW , 5×35	1	件/PIECES	C
4	380140011-0004	BOLT, FLANGE	2	件/PIECES	C
5	171600036-0001	SPRING, GOVERNOR	1	件/PIECES	A
6	171610002-0001	SPRING, THROTTLE RETURN	1	件/PIECES	A
7	171590002-0001	ROD, GOVERNOR	1	件/PIECES	B
8	380250002-0001	BOLT, QUADRATE HEAD	1	件/PIECES	C
9	380370048-0001	NUT, FLANGE	1	件/PIECES	C
10	171620001-0001	ARM, GOVERNOR	1	件/PIECES	B



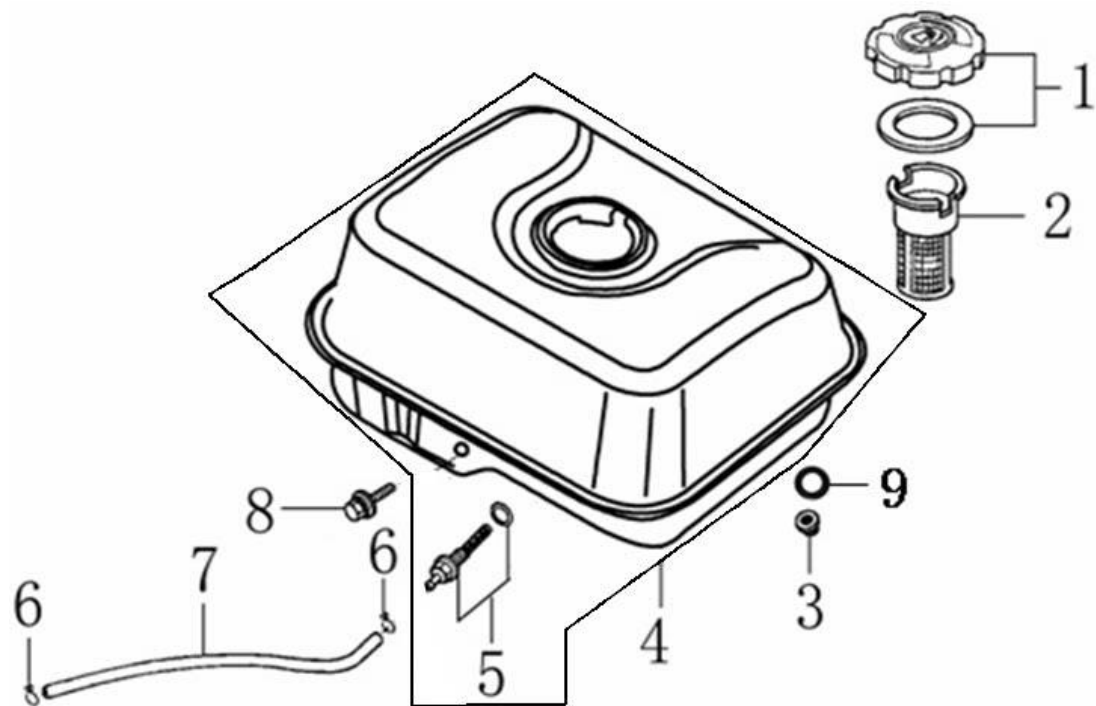
空滤器 (AIR CLEANER)

序号	零部件件号	Description	数量	单位	易损属性
No.	Part No.		Reqd. QTY	UNIT	CONSUMABLE GRADE
1	180020313-0001	AIR CLEANER ASSY	1	套/SETS	B
2	380440002-0001	NUT , TOOL BOX SETTING	2	件/PIECES	C
3	180070087-0001	COVER , AIR CLEANER	1	件/PIECES	B
4	380310015-0005	SCREW	2	件/PIECES	C
5	180100034-0001	ELEMENT ASSY. , AIR CLEANER	1	套/SETS	A
6	180330018-0001	NOSE , SILENCER	1	件/PIECES	B
7	380840437-0001	PACKING , ELBOW	1	件/PIECES	A
8	180280001-0001	ELBOW COMP. , AIR CLEANER	1	件/PIECES	B
9	380370048-0001	NUT , FLANGE	2	件/PIECES	C



消音器 (MUFFLER)

序号	零部件件号	Description	数量	单位	易损属性
No.	Part No.		Reqd. QTY	UNIT	CONSUMABLE GRADE
1	180570794-0001	MUFFLER ASSY.	1	件/PIECES	B
2	380340005-0005	NUT, HEX.	2	件/PIECES	C
3	180650065-0001	GASKET , MUFFLER	1	件/PIECES	A



燃油箱 (FUEL TANK)

序号	零部件件号	Description	数量	单位	易损属性
No.	Part No.		Reqd. QTY	UNIT	CONSUMABLE GRADE
1	170870039-0001	CAP COMP ., FUEL FILLER	1	套/SETS	B
2	170720001-0001	FILTER , FUEL	1	件/PIECES	A
3	380370048-0001	NUT , FLANGE	2	件/PIECES	C
4	170500522-0001 170660077-0001	TANK COMP ., FUEL	1	套/SETS	B
5	170660077-0001	JOINT ASSY. , FUEL TANK	1	套/SETS	A
6	380950188-0001	CLIP , TUBE	2	件/PIECES	B
7	380750180-0001	TUBE , FUEL	1	件/PIECES	A
8	380140102-0004	BOLT , FLANGE	1	件/PIECES	C
9	380920086-0001	WASHER, RUBBER	2	件/PIECES	A