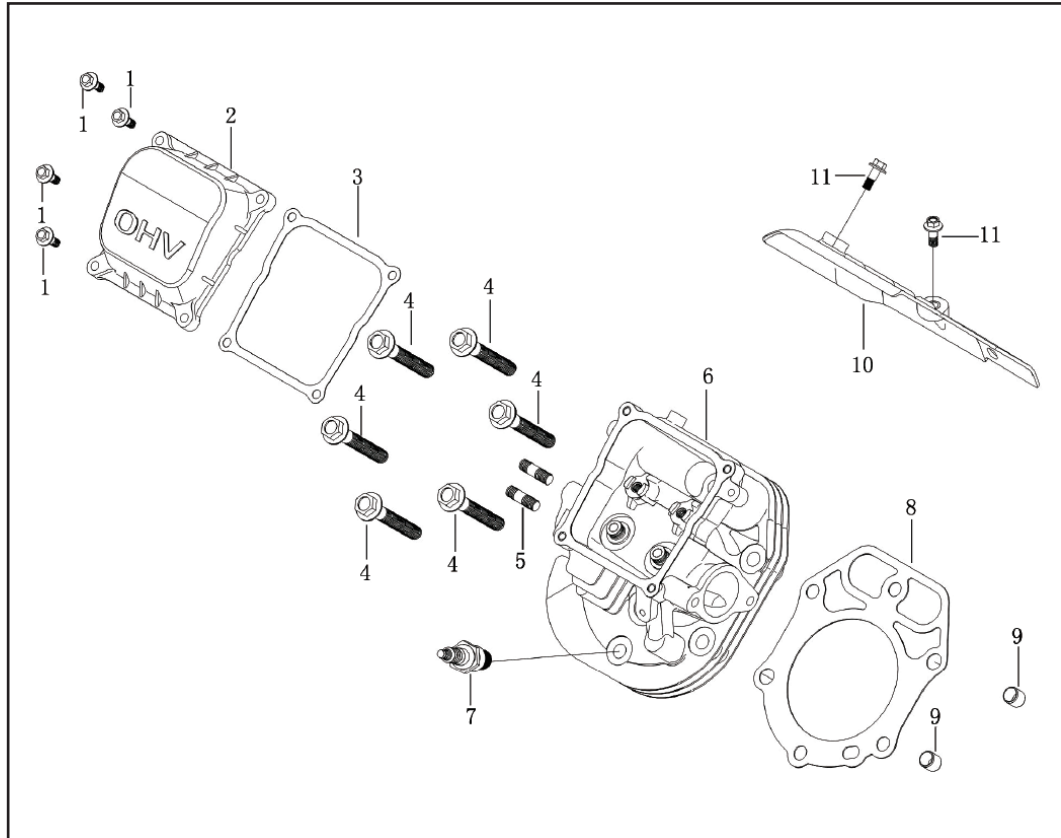


DESPIECE SPAREPARTS

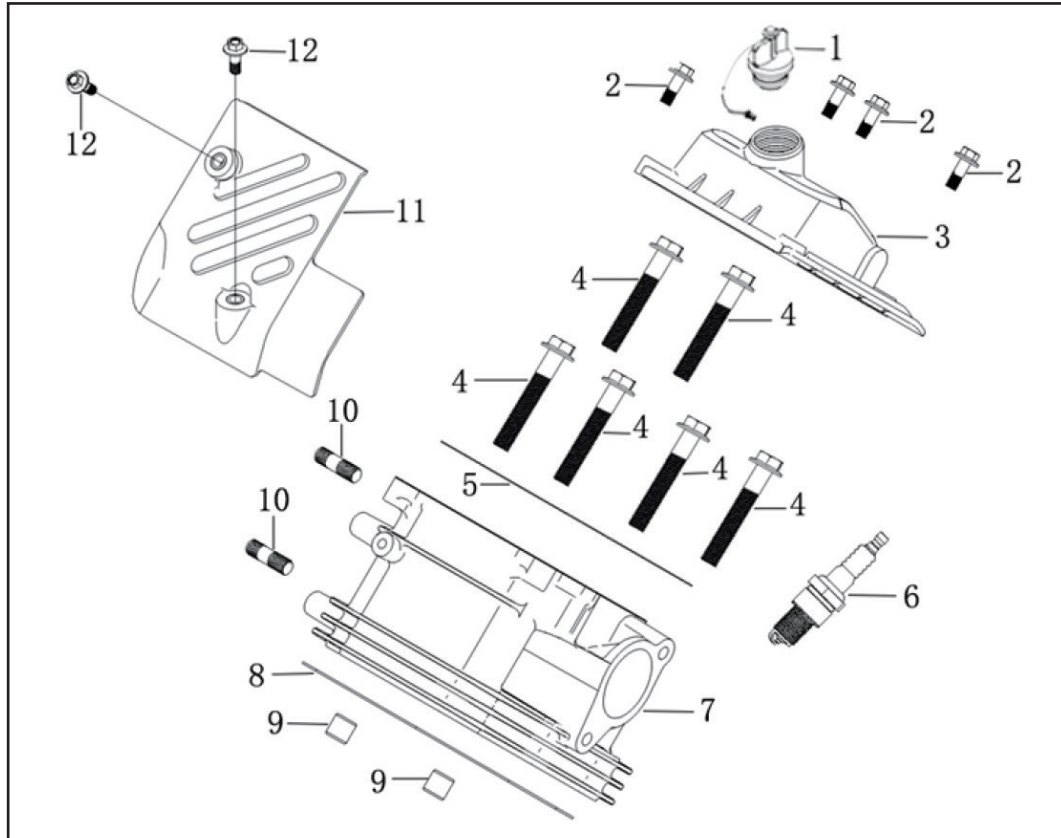
**GENERADOR GASOLINA:
GG20000LEK-T**

MOTOR: 2V90

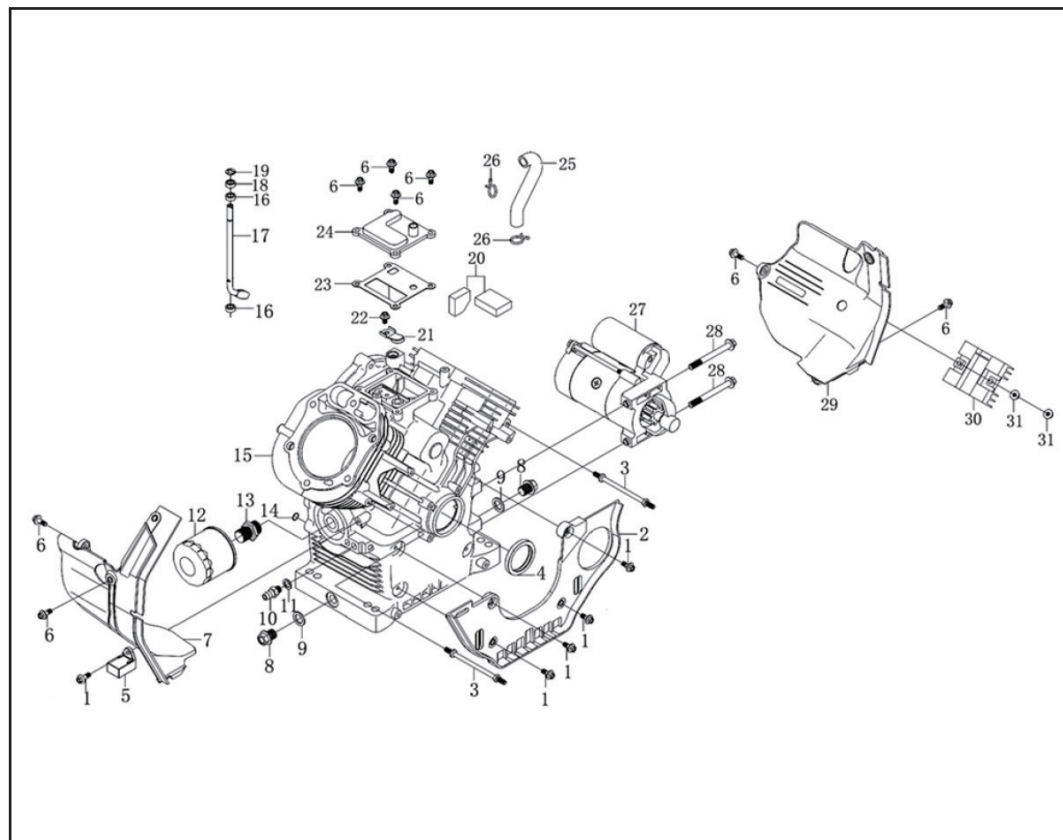




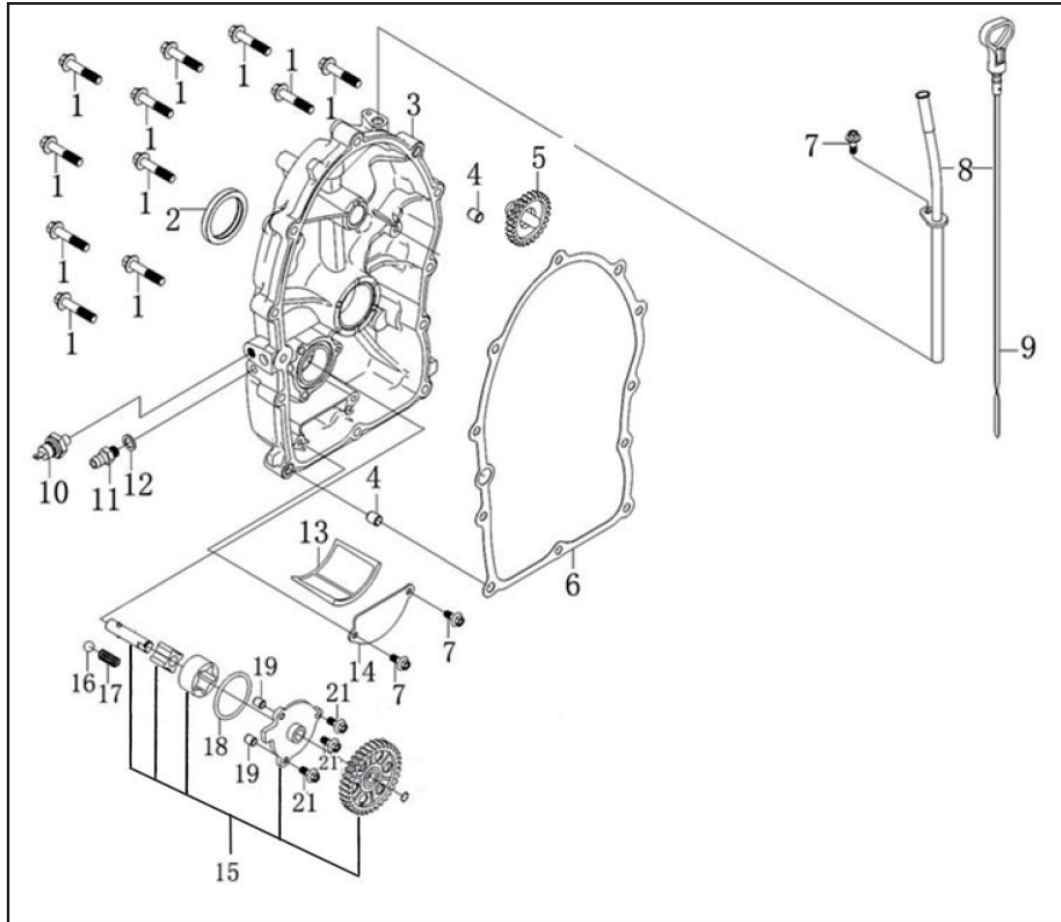
Nº	REF.	DESCRIPCIÓN (ES)	DESCRIPTION (EN)
1	SP-2V90-A01	TORNILLO	HEXAGON BOLT WITH FLANGE
2	SP-2V90-A02	TAPA VALVULAS IZQUIERDA	CYLINDER HEAD COVER L
3	SP-2V90-A03	JUNTA TAPA VALVULAS	GASKET FOR CYLINDER HEAD COVER
4	SP-2V90-A04	TORNILLO	HEXAGON BOLT WITH FLANGE
5	SP-2V90-A05	ESPARRAGO	STUD
6	SP-2V90-A06	CULATA IZQUIERDA	CYLINDER HEAD L
7	SP-BUJIA-RCJ12Y	BUJIA CHAMPION RCJ12Y	SPARK PLUG RCJ12Y
8	SP-2V90-A08	JUNTA CULATA	GASKET FOR CYLINDER HEAD
9	SP-2V90-A09	CASQUILLO GUIA	LOCATION PIN
10	SP-2V90-A10	DEFLECTOR DE AIRE IZQUIERDO	AIR DEFLECTOR L
11	SP-2V90-A11	TORNILLO	HEXAGON BOLT WITH FLANGE



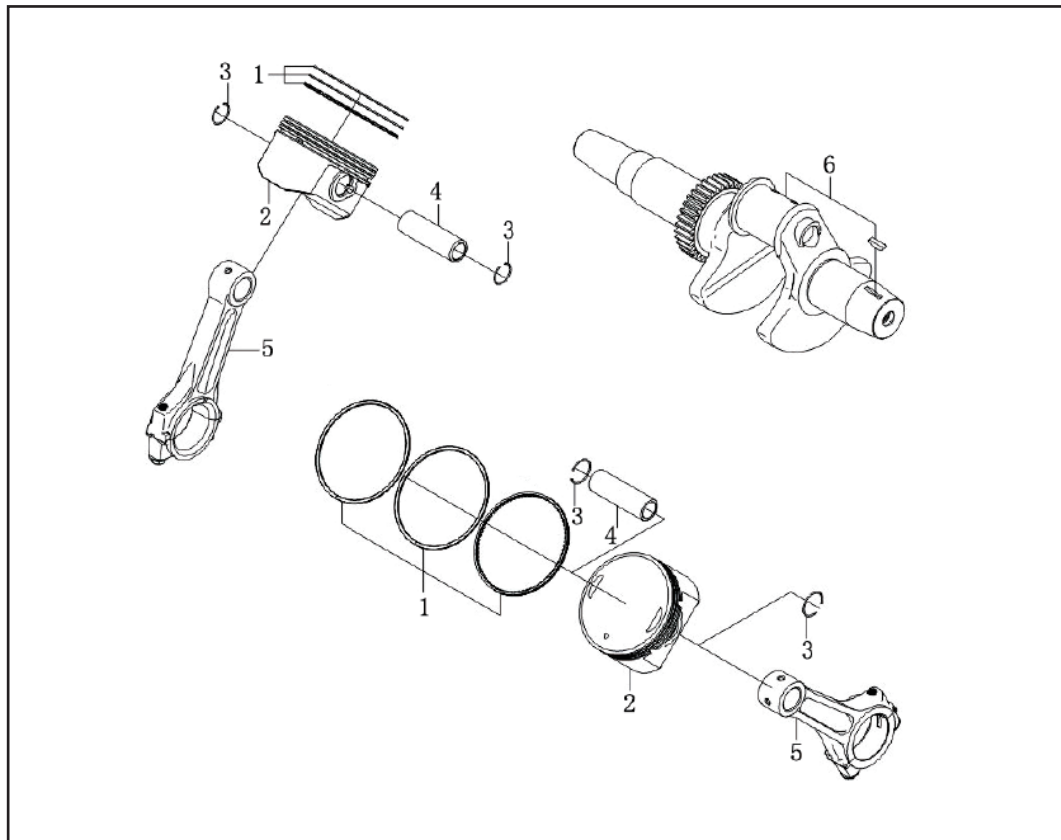
Nº	REF.	DESCRIPCIÓN (ES)	DESCRIPTION (EN)
1	SP-2V90-A01-1	TAPON LLENADO ACEITE	OIL FILLER CAP
2	SP-2V90-A01	TORNILLO	HEXAGON BOLT WITH FLANGE
3	SP-2V90-A02-1	TAPA VALVULAS DERECHA	CYLINDER HEAD COVER R
4	SP-2V90-A04	TORNILLO	HEXAGON BOLT WITH FLANGE
5	SP-2V90-A03	JUNTA TAPA VALVULAS	GASKET FOR CYLINDER HEAD COVER
6	SP-BUJIA-RCJ12Y	BUJIA CHAMPION RCJ12Y	SPARK PLUG RCJ12Y
7	SP-2V90-A06-1	CULATA DERECHA	CYLINDER HEAD R
8	SP-2V90-A08	JUNTA CULATA	GASKET FOR CYLINDER HEAD
9	SP-2V90-A09	CASQUILLO GUIA	LOCATION PIN
10	SP-2V90-A05	ESPARRAGO	STUD
11	SP-2V90-A10-1	DEFLECTOR DE AIRE DERECHO	AIR DEFLECTOR R
12	SP-2V90-A11	TORNILLO	HEXAGON BOLT WITH FLANGE



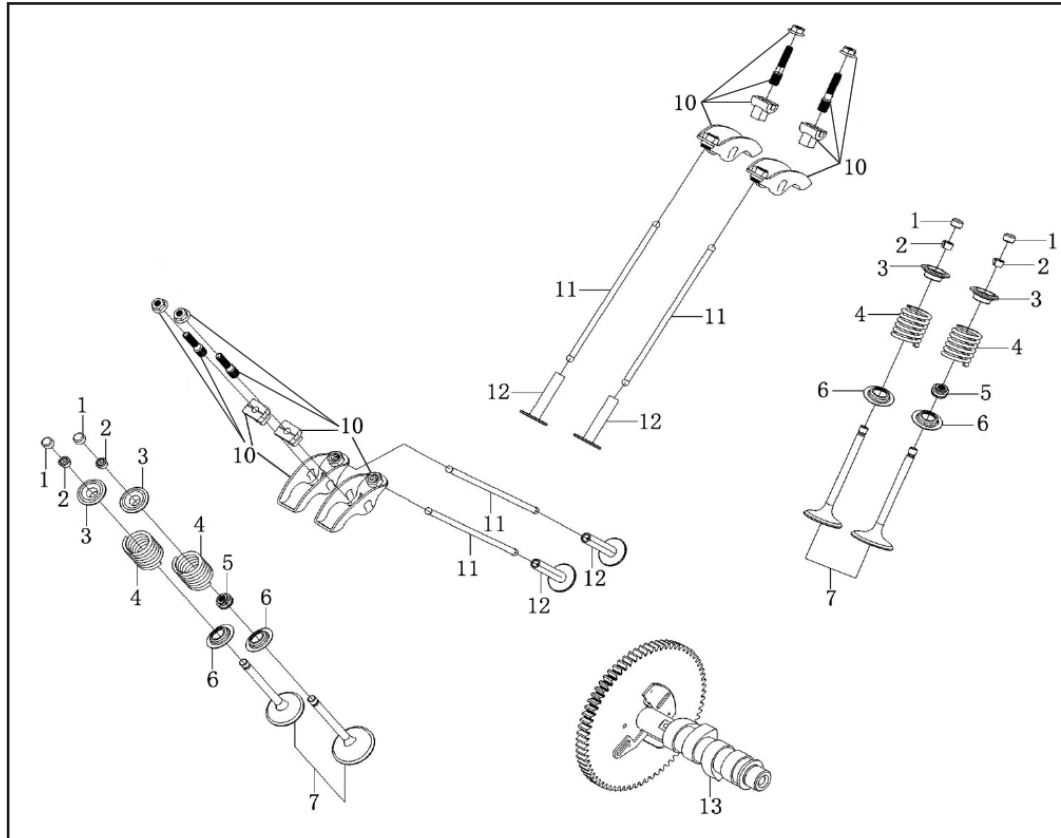
Nº	REF.	DESCRIPCIÓN (ES)	DESCRIPTION (EN)
1	SP-2V90-B01	TORNILLO	HEXAGON BOLT WITH FLANGE
2	SP-2V90-B02	DEFLECTOR DE AIRE FRONTAL	FRONT AIR DEFLECTOR
3	SP-2V90-B03	ESPARRAGO	STAY STUD
4	SP-2V90-B04	RETEN CIGÜEÑAL	OIL SEAL
5	SP-2V90-B05	PROTECTOR ACEITE MOTOR	ENGINE OIL PROTECTOR
6	SP-2V90-B06	TORNILLO	HEXAGON BOLT WITH FLANGE
7	SP-2V90-B07	DEFLECTOR DE AIRE IZQUIERDO	AIR DEFLECTOR L
8	SP-2V90-B08	TORNILLO DRENAJE	SEALING PLUG SCREW
9	SP-2V90-B09	JUNTA TORNILLO	FLAT WASHER
10	SP-2V90-B10	ACOPLAMIENTO	COUPLING
11	SP-2V90-B11	JUNTA	FLAT WASHER
12	SP-2V90-B12	FILTRO ACEITE	OIL FILTER
13	SP-2V90-B13	TORNILLOS FILTRO ACEITE	OIL FILTER MOUNTING BOLTS
14	SP-2V90-B14	RETEN	SEAL RING
15	SP-2V90-B15	BLOQUE MOTOR	CRANKCASE
16	SP-2V90-B16	COJINETE	BEARING
17	SP-2V90-B17	BRAZO ACELERADOR	SPEED REGULATING ARM
18	SP-2V90-B18	RETEN	OIL SEAL
19	SP-2V90-B19	ANILLO DE AMORTIGUACION	SPLIT DAMPING RING
20	SP-2V90-B20	FILTRO	FILTER
21	SP-2V90-B21	VALVULA DE LAMINA	REED VALVE
22	SP-2V90-B22	TORNILLO	HEXAGON BOLT WITH FLANGE
23	SP-2V90-B23	JUNTA RESPIRADERO	BREATHER CHAMBER PACKING
24	SP-2V90-B24	TAPA RESPIRADERO	BREATHER CHAMBER CAP
25	SP-2V90-B25	TUBO RESPIRADERO	BREATHER TUBE
26	SP-2V90-B26	ABRAZADERA	PIPE CLIP
27	SP-2V90-B27	MOTOR ARRANQUE	STARTING MOTOR
28	SP-2V90-B28	TORNILLO	HEXAGON BOLT WITH FLANGE
29	SP-2V90-B29	DEFLECTOR DE AIRE DERECHO	AIR DEFLECTOR R
30	SP-2V90-B30	RECTIFICADOR VOLTAJE	VARIABLE VOLTAGE RECTIFIER
31	SP-2V90-B31	TORNILLO	HEXAGON NUT WITH FLANGE



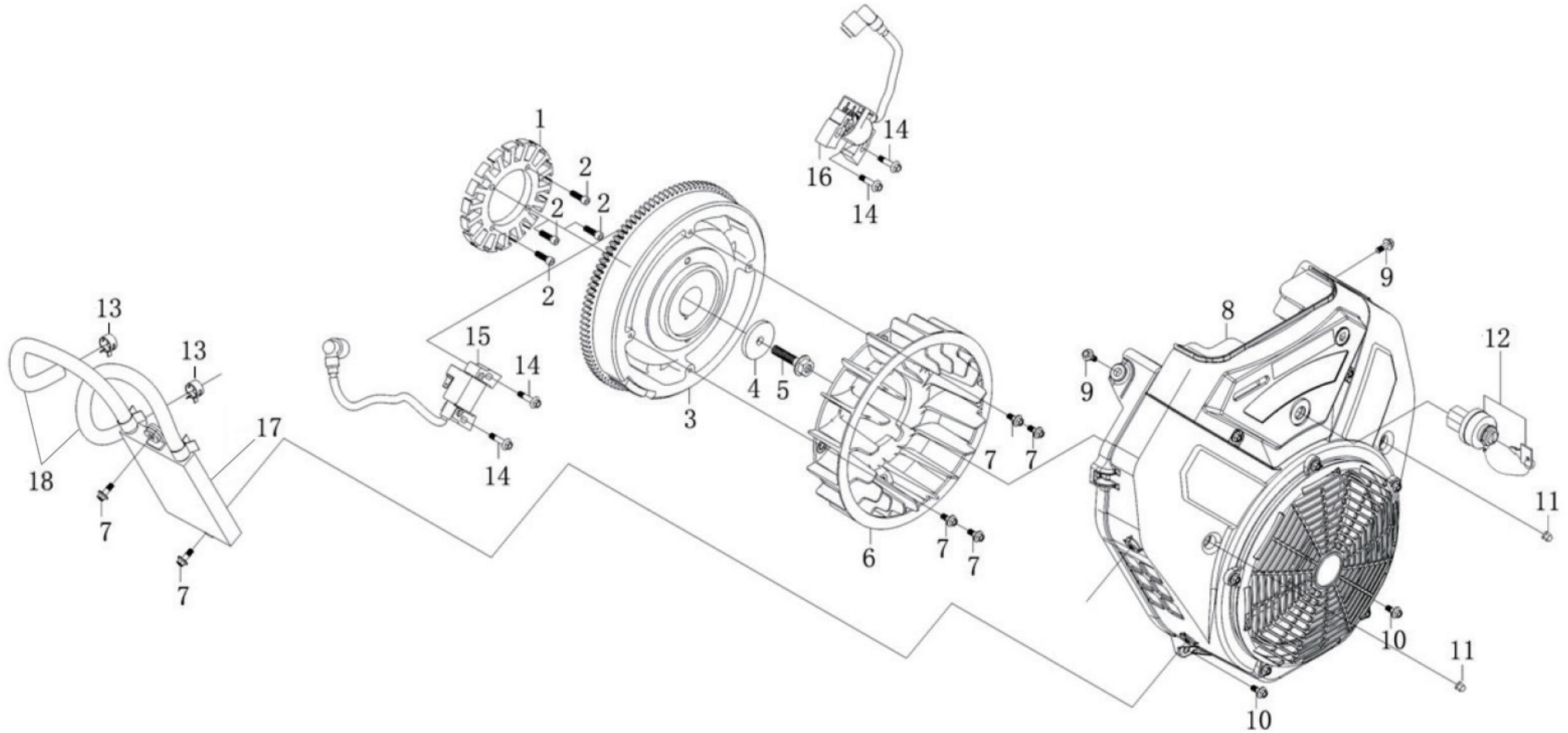
Nº	REF.	DESCRIPCIÓN (ES)	DESCRIPTION (EN)
1	SP-2V90-C01	TORNILLO	HEXAGON BOLT WITH FLANGE
2	SP-2V90-C02	RETEN	OIL SEAL
3	SP-2V90-C03	TAPA BLOQUE MOTOR	CRANKCASE COVER
4	SP-2V90-C04	CASQUILLO GUIA	LOCATION PIN
5	SP-2V90-C05	GOBERNADOR	COMPONENTS OF GOVERNOR GEAR
6	SP-2V90-C06	JUNTA BLOQUE MOTOR	CRANKCASE COVER GASKET
7	SP-2V90-C07	TORNILLO	HEXAGON BOLT WITH FLANGE
8	SP-2V90-C08	CONJ. VARILLA NIVEL ACEITE	OIL RULE COMBINATION
9	SP-2V90-C09	VARILLA NIVEL ACEITE	OIL RULE COMBINATION
10	SP-2V90-C10	SENSOR ALARMA ACEITE	OIL LEVEL ALARM
11	SP-2V90-C11	ACOPLAMIENTO	COUPLING
12	SP-2V90-C12	JUNTA	FLAT WASHER
13	SP-2V90-C13	COLADOR ACEITE	ENGINE OIL STRAINER
14	SP-2V90-C14	CUBIERTA COLADOR ACEITE	OIL STRAINER COVER
15	SP-2V90-C15	CONJ. BOMBA ACEITE	COMPONENTS OF OIL PUMP
16	SP-2V90-C16	BOLA DE ACERO	STEEL BALL
17	SP-2V90-C17	MUELLE DE COMPRESION	COMPRESSION SPRING
18	SP-2V90-C18	RETEN	SEAL RING
19	SP-2V90-C19	CASQUILLO GUIA	LOCATION PIN
21	SP-2V90-C21	TORNILLO	HEXAGON BOLT WITH FLANGE

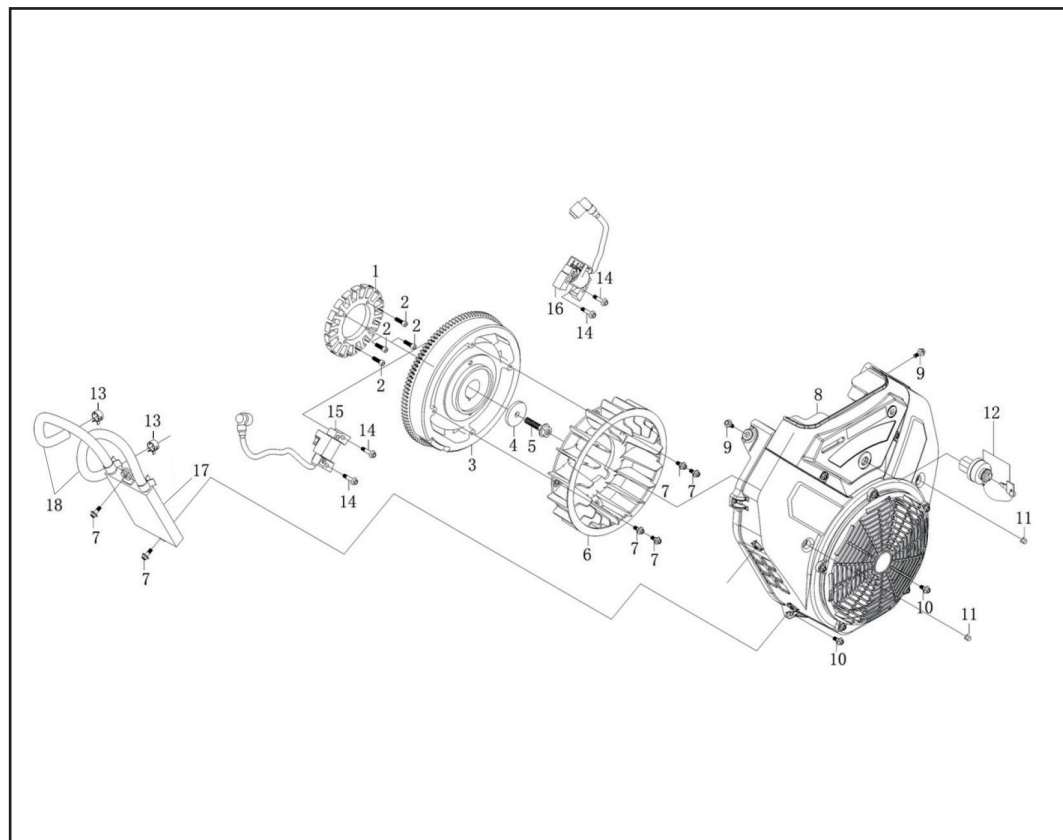


Nº	REF.	DESCRIPCIÓN (ES)	DESCRIPTION (EN)
1	SP-2V90-D01	JUEGO SEGMENTOS	PISTON RING COMBINATION
2	SP-2V90-D02	PISTON	PISTON
3	SP-2V90-D03	CLIP PISTON	STEEL CABLE BAFFLE RING
4	SP-2V90-D04	BURLON PISTON	PISTON PIN
5	SP-2V90-D05	BIELA	CONNECTING ROD
6	SP-2V90-D06	CIGUEÑAL	CRANKSHAFT

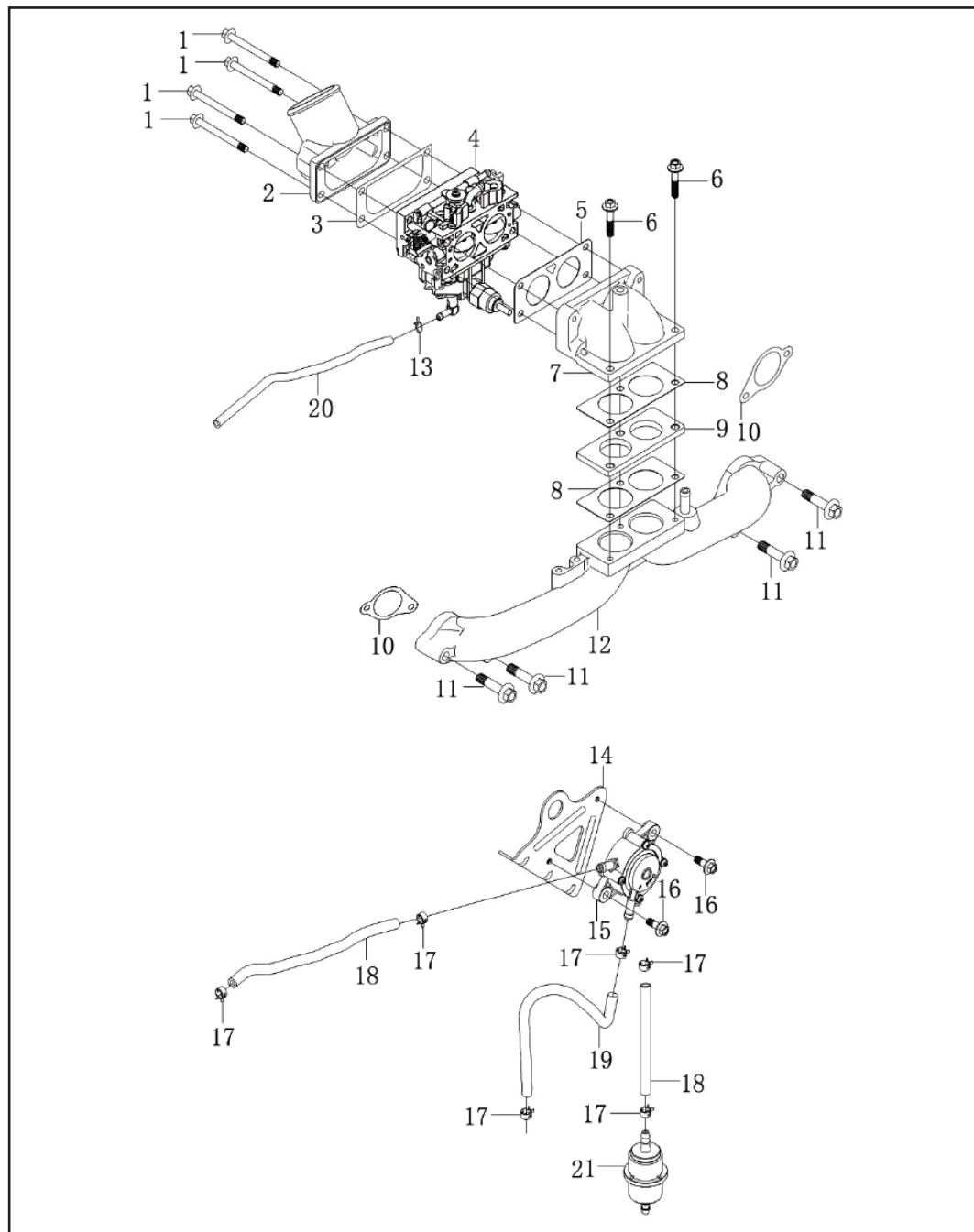


Nº	REF.	DESCRIPCIÓN (ES)	DESCRIPTION (EN)
1	SP-2V90-E01	TAPON AJUSTE VALVULA	VALVE ADJUSTMENT CAP
2	SP-2V90-E02	TOPE VALVULA	VALVE LOCKER
3	SP-2V90-E03	RETEN MUELLE VALVULA	VALVE SPRING RETAINER
4	SP-2V90-E04	MUELLE VALVULA	INNER SPRING OF VALVE
5	SP-2V90-E05	RETEN VALVULA	VALVE OIL SEAL
6	SP-2V90-E06	ASIENTO MUELLE VALVULA	VALVE SPRING SEAT
7	SP-2V90-E07	CONJ. VALVULA	VALVE KIT
10	SP-2V90-E10	CONJ. BALANCINES VALVULAS	VALVE ROCKER COMBINATION
11	SP-2V90-E11	VARILLAS EMPUJE	PUSH ROD
12	SP-2V90-E12	ASIENTO VARILLAS	VALVE LIFTER
13	SP-2V90-E13	ARBOL LEVAS	CAMSHAFT ASSY

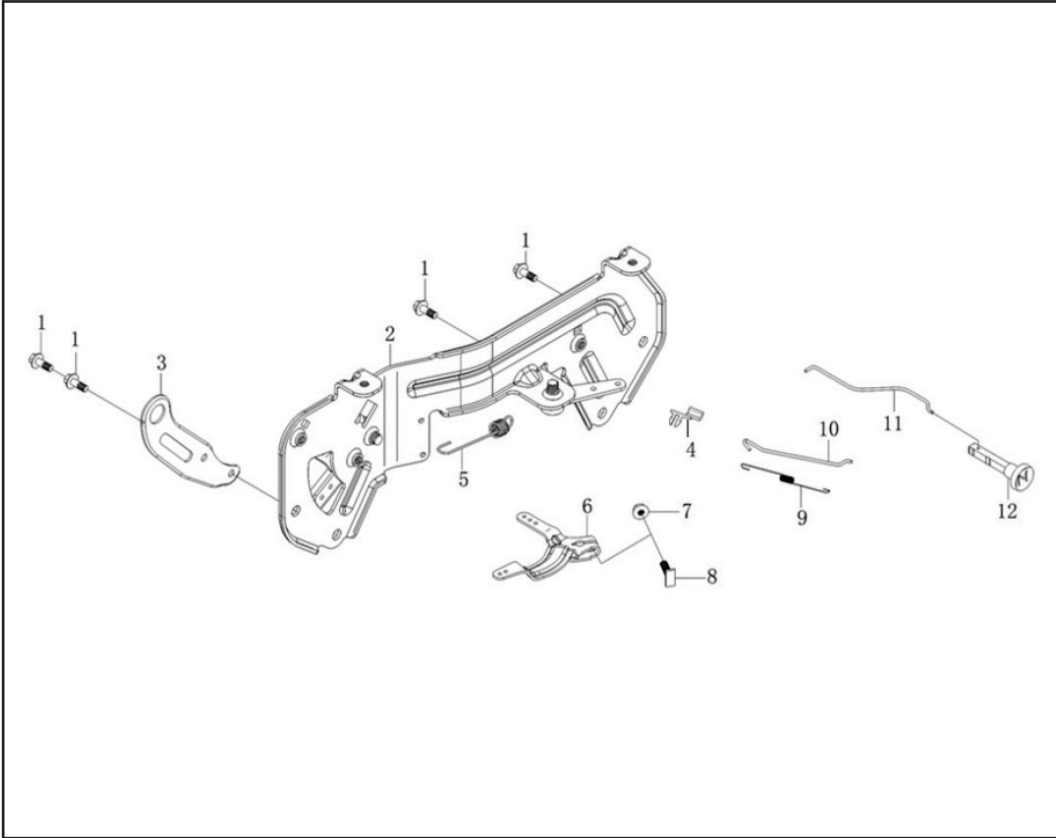




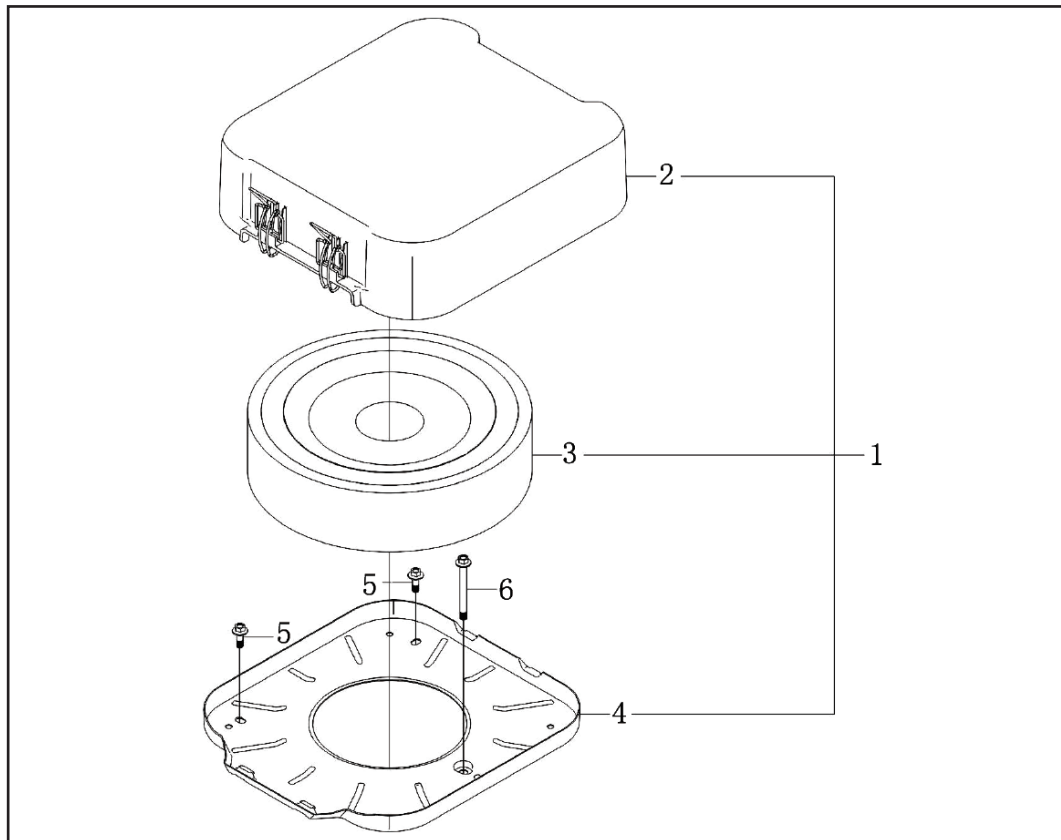
Nº	REF.	DESCRIPCIÓN (ES)	DESCRIPTION (EN)
1	SP-2V90-F01	BOBINA CARGA BATERIA	CHARGING CURRENT ARMATURE
2	SP-2V90-F02	TORNILLO	SOCKET HEAD SCREW
3	SP-2V90-F03	VOLANTE INERCIA	FLYWHEEL COMP
4	SP-2V90-F04	ARANDELA	FLAT WASHER
5	SP-2V90-F05	TORNILLO	HEXAGON BOLT WITH FLANGE
6	SP-2V90-F06	VENTILADOR	IMPELLER
7	SP-2V90-F07	TORNILLO	HEXAGON BOLT WITH FLANGE
8	SP-2V90-F08	CONJ. TAPA VENTILADOR	FAN COVER COMP.
9	SP-2V90-F09	TORNILLO	HEXAGON BOLT WITH FLANGE
10	SP-2V90-F10	TORNILLO	HEXAGON BOLT WITH FLANGE
11	SP-2V90-F11	TUERCA	CAP NUT
12	SP-2V90-F12	BOMBIN ARRANQUE	START CONTROL SWITCH
13	SP-2V90-F13	ABRAZADERA	CLIP COMBINATION
14	SP-2V90-F14	TORNILLO	HEXAGON BOLT WITH FLANGE
15	SP-2V90-F15	BOBINA BUJIA IZQUIERDA	IGNITION COIL ASSY L
16	SP-2V90-F16	BOBINA BUJIA DERECHA	IGNITION COIL ASSY R
17	SP-2V90-F17	RADIADOR ACEITE	OIL HEAT SINK
18	SP-2V90-F18	TUBERIA RADIADOR	HEAT SINK PIPE



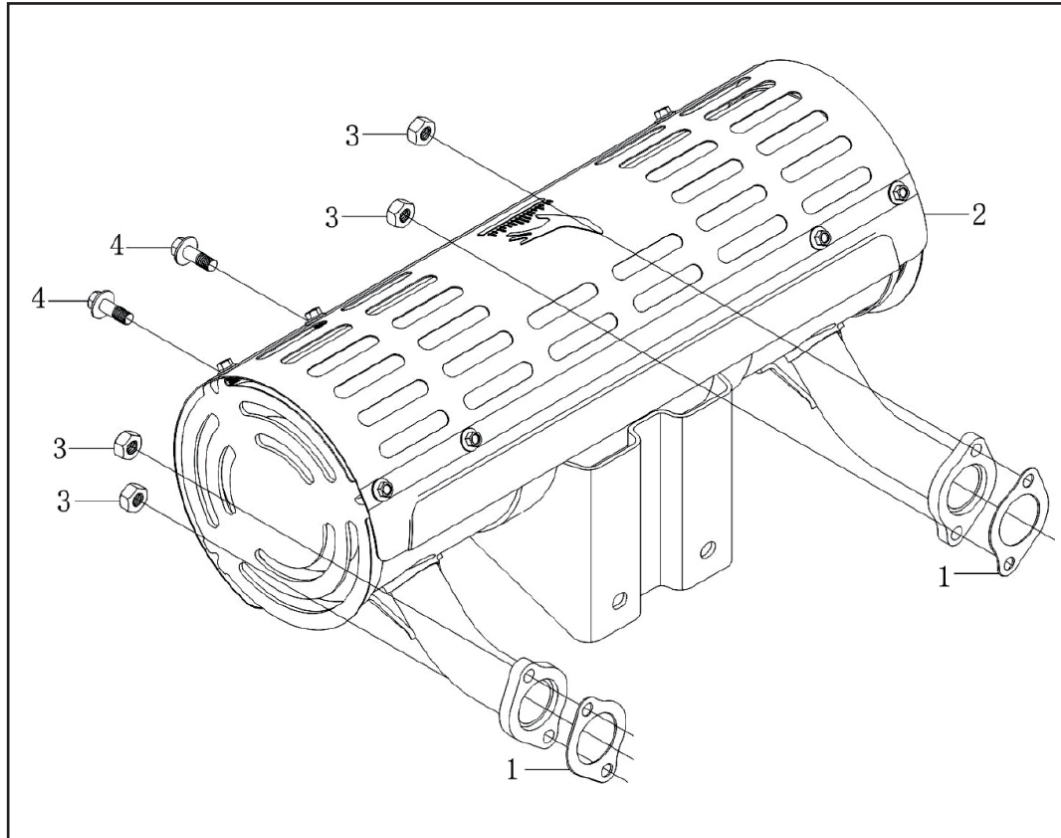
Nº	REF.	DESCRIPCIÓN (ES)	DESCRIPTION (EN)
1	SP-2V90-G01	TORNILLO	HEXAGON BOLT WITH FLANGE
2	SP-2V90-G02	SOPORTE FILTRO AIRE	AIR FILTER SEAT
3	SP-2V90-G03	JUNTA CARBURADOR A	CARBURETOR GASKET A
4	SP-2V90-G04	CARBURADOR	CARBURETOR
5	SP-2V90-G05	JUNTA CARBURADOR B	CARBURETOR GASKET B
6	SP-2V90-G06	TORNILLO	HEXAGON BOLT WITH FLANGE
7	SP-2V90-G07	TUBERIA ADMISION A	INTAKE PIPE A
8	SP-2V90-G08	JUNTA CARBURADOR C	CARBURETOR GASKET C
9	SP-2V90-G09	ALMOHADILLA AISLANTE CARBURADOR	HEAT INSULATING PAD FOR CARBURETOR
10	SP-2V90-G10	JUNTA COLECTOR ADMISION	INTAKE MANIFOLD GASKET
11	SP-2V90-G11	TORNILLO	HEXAGON BOLT WITH FLANGE
12	SP-2V90-G12	COLECTOR ADMISION	INTAKE PIPE B
13	SP-2V90-G13	ABRAZADERA	PIPE CLIP
14	SP-2V90-G14	SOPORTE BOMBA COMBUSTIBLE	GASOLINE PUMP BRACKET
15	SP-2V90-G15	BOMBA COMBUSTIBLE	GASOLINE PUMP
16	SP-2V90-G16	TORNILLO	HEXAGON BOLT WITH FLANGE
17	SP-2V90-G17	ABRAZADERA	CLIP COMBINATION
18	SP-2V90-G18	TUBERIA BOMBA COMBUSTIBLE	FUEL PUMP TUBE
19	SP-2V90-G19	RESPIRADERO	BREATHER TUBE
20	SP-2V90-G20	TUBERIA COMBUSTIBLE CARBURADOR	OIL TUBE CARBURETOR
21	SP-2V90-G21	FILTRO COMBUSTIBLE	FUEL FILTER



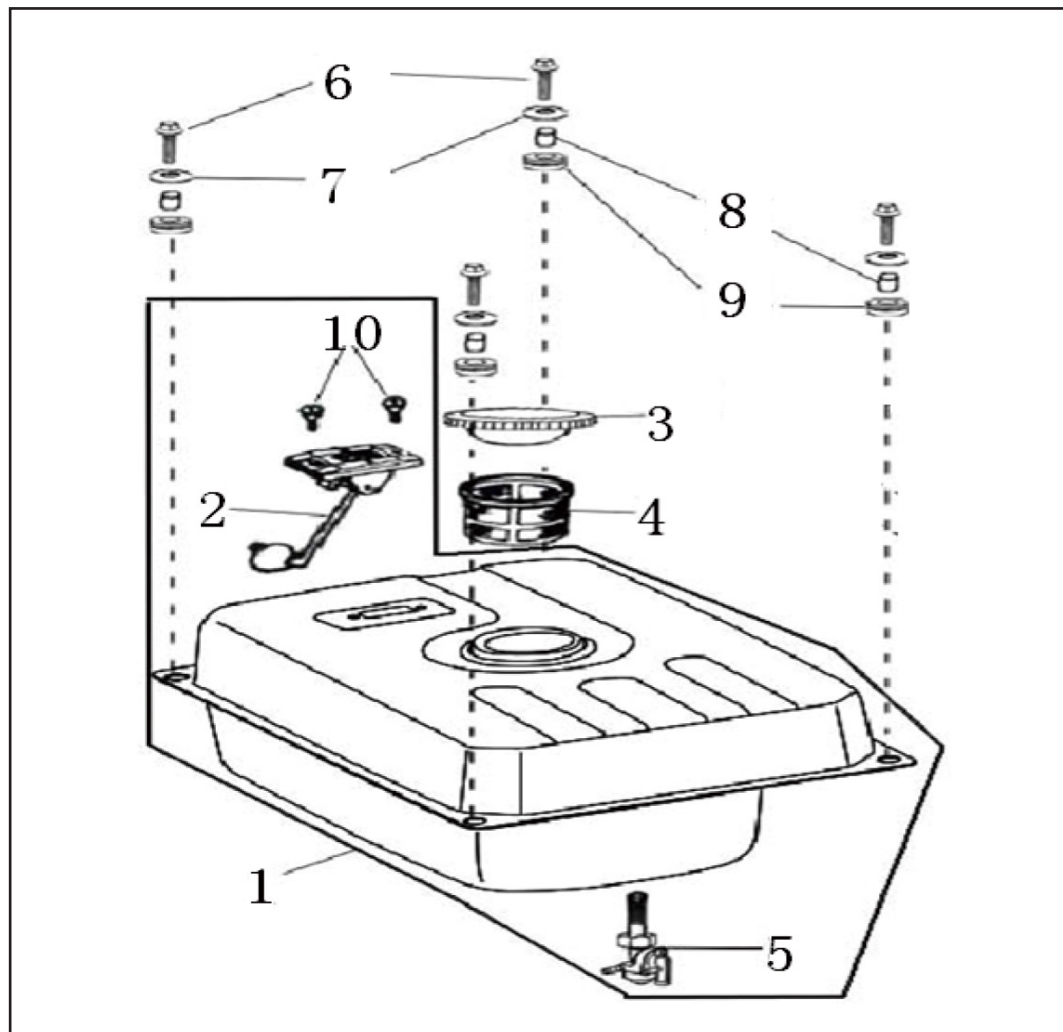
Nº	REF.	DESCRIPCIÓN (ES)	DESCRIPTION (EN)
1	SP-2V90-H01	TORNILLO	HEXAGON BOLT WITH FLANGE
2	SP-2V90-H02	PLACA DE SOPORTE	SUPPORT PLATE FOR SPEED REGULATING
3	SP-2V90-H03	GANCHO DE ELEVACION	LIFTING EYE
4	SP-2V90-H04	CLIP DE BLOQUEO	THROTTLE LEVER LOCK CLIP
5	SP-2V90-H05	MUELLE REGULADOR DE VELOCIDAD	SPEED REGULATING SPRING
6	SP-2V90-H06	SOPORTE CONTROL VELOCIDAD	SPEED CONTROL BRACKET
7	SP-2V90-H07	TUERCA	HEXAGON NUT WITH FLANGE
8	SP-2V90-H08	TORNILLO DE PRESION	SQUARE HEAD SCREW WITH FLAT POINT
9	SP-2V90-H09	MUELLE DE RETORNO DEL ACELERADOR	THROTTLE RETURN SPRING
10	SP-2V90-H10	VARILLA DEL ACELERADOR	THROTTLE ROD
11	SP-2V90-H11	VARILLA ESTARTER	CHOKE VALVE PULL ROD
12	SP-2V90-H12	ESTARTER	CHOKE VALVE HANDLE COMBINATION



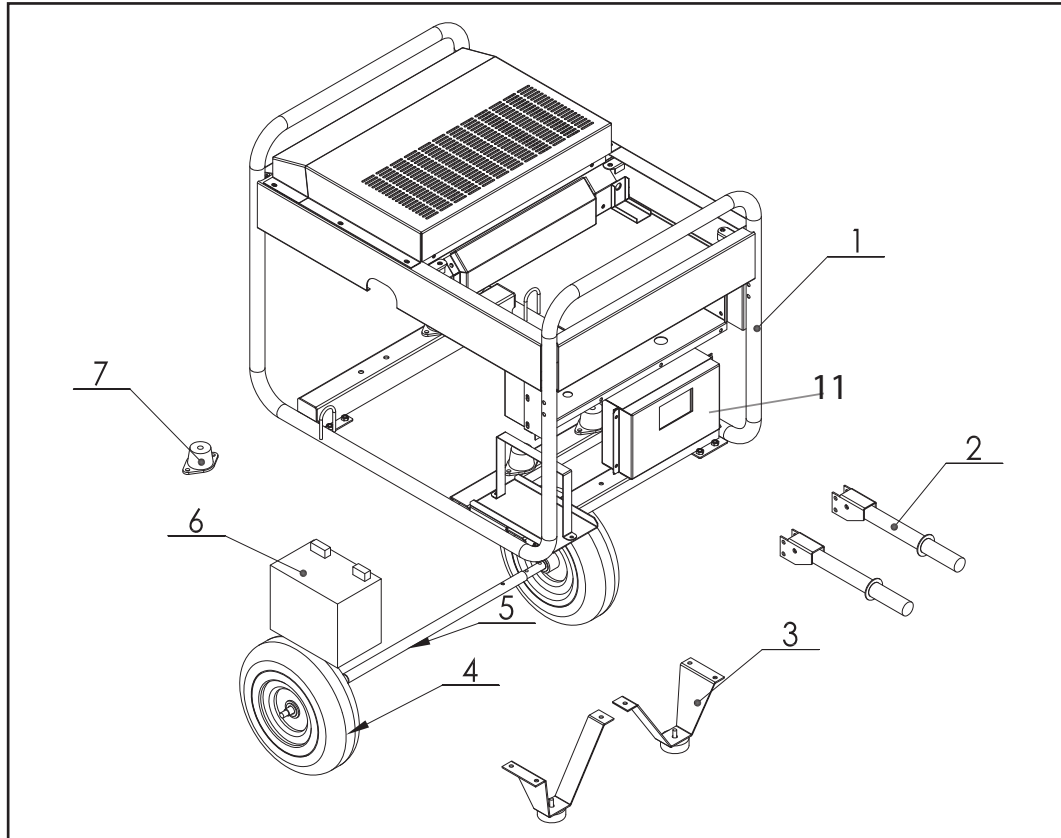
Nº	REF.	DESCRIPCIÓN (ES)	DESCRIPTION (EN)
1	SP-2V90-I01	CONJUNTO FILTRO AIRE	AIR FILTER ASSY
2	SP-2V90-I02	CUBIERTA FILTRO AIRE	AIR FILTER CASING COVER
3	SP-2V90-I03	FILTRO AIRE	AIR FILTER ELEMENT COMBINATION
4	SP-2V90-I04	BASE FILTRO AIRE	SUPPORT PLATE BODY OF FILTER ELEMENT
5	SP-2V90-I05	TORNILLO	HEXAGON BOLT WITH FLANGE
6	SP-2V90-I06	TORNILLO	HEXAGON BOLT WITH FLANGE



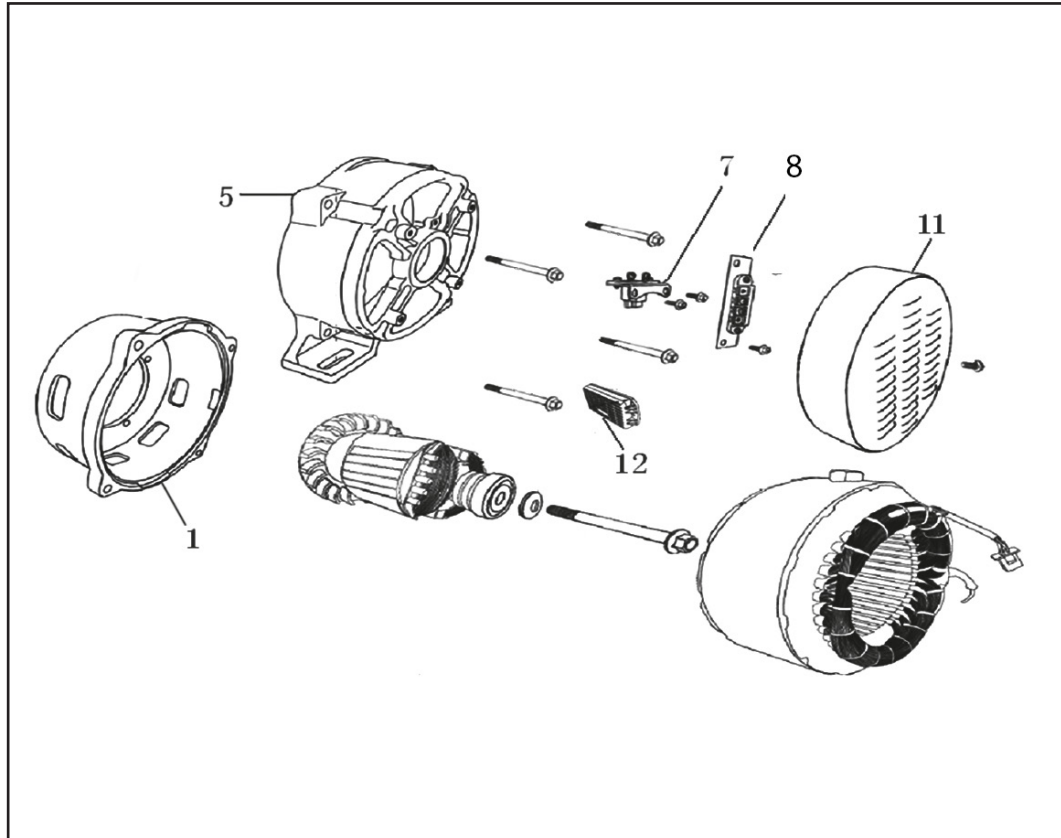
Nº	REF.	DESCRIPCIÓN (ES)	DESCRIPTION (EN)
1	SP-2V90-J01	JUNTA ESCAPE	OUTLET GASKET
2	SP-2V90-J02	ESCAPE	MUFFLER
3	SP-2V90-J03	TORNILLO	HEXAGON NUT WITH FLANGE
4	SP-2V90-J04	TORNILLO	HEXAGON BOLT WITH FLANGE



Nº	REF.	DESCRIPCIÓN (ES)	DESCRIPTION (EN)
1	SP-2V90-K01	DEPOSITO COMBUSTIBLE 22,5L	FUEL TANK 22.5L
2	SP-2V90-K02	INDICADOR NIVEL COMBUSTIBLE	FUEL LEVEL INDICATOR
3	SP-2V90-K03	TAPON DEPOSITO	FUEL TANK CAP
4	SP-2V90-K04	PRE-FILTRO COMBUSTIBLE	FUEL FILTER CUP
5	SP-IC390-004-1	GRIFO COMBUSTIBLE	FUEL COCK
6	SP-2V90-K06	TORNILLO	FLANGE BOLT
7	SP-2V90-K07	ARANDELA	BIG FLAT WASHER
8	SP-2V90-K08	CASQUILLO	TANK ABSORBER BUSH
9	SP-2V90-K09	AMORTIGUADOR	TANK ABSORBER
10	SP-2V90-K10	TORNILLO	SCREW



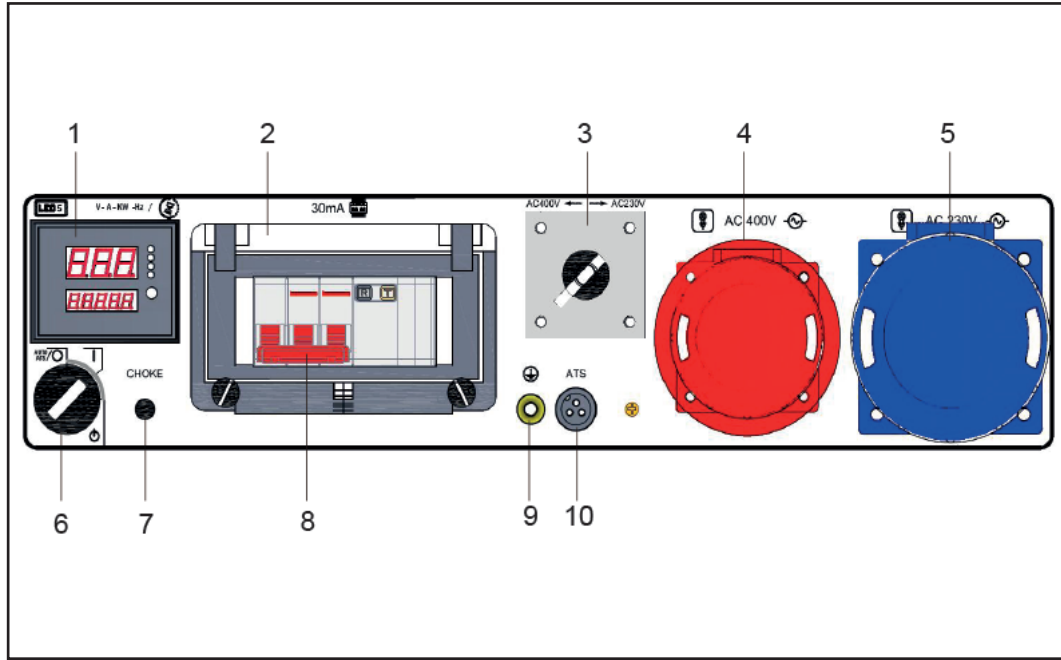
Nº	REF.	DESCRIPCIÓN (ES)	DESCRIPTION (EN)
1	SP-2V90-L01	CHASIS	FRAME
2	SP-2V90-L02	MANGO KIT RUEDAS	PUSH HANDLE
3	SP-2V90-L03	PATAS KIT RUEDAS	FRAME FOOT
4	SP-2V90-L04	RUEDA 12 INCH	12 INCH WHEEL
5	SP-2V90-L05	EJE	AXIS
6	SP-BAT-36	BATERIA 36AH	BATTERY 36AH
7	SP-2V90-L07	SILENT BLOCK NMA-120-F	ABSORBER NMA-120-F
11	SP-DV1250E-N11	CAJA AVR	AVR BOX



Nº	REF.	DESCRIPCIÓN (ES)	DESCRIPTION (EN)
	SP-ALT-15-T	ALTERNADOR KGG20000LEKT	KGG20000LEKT ALTERNATOR
1	SP-ALT-CD-15-T	CUBIERTA DELANTERA ALTERNADOR 15-T	15-T ALTERNATOR FRONT COVER
5	SP-ALT-CS-15-T	CUBIERTA TRASERA SOPORTE ALTERNADOR 15-T	15-T ALTERNATOR REAR COVER
7	SP-ALT-ESC-10	ESCOBILLAS 10 KW	10KW BRUSH KIT
8	SP-EV80-K01	PLACA TERMINAL	TERMINAL PLATE
11	SP-ALT-CF-15-T	CUBIERTA TRASERA FINAL ALTERNADOR 15-T	15-T ALTERNATOR REAR END COVER
12	SP-ALT-AVR-20-T	AVR 20/25 KW FULL POWER GG20000LEK-T	AVR 20/25 KW FULL POWER GG20000LEK-T



SP-ALT-AVR-20-T



Nº	REF.	DESCRIPCIÓN (ES)	DESCRIPTION (EN)
1	SP-PC-LED5-FULL	DISPLAY LED 5 FULL POWER	LED5 DISPLAY
1-1	SP-PC-LED6	DISPLAY LED 6 FULL POWER	LED6 DISPLAY
2	SP-2V90-M02	PROTECTOR DIFERENCIAL	WATERPROOF SHIELD
3	SP-PC-SELECT-T	SELECTOR 230V/400v FULL POWER	UNIVERSAL CHANGE-OVER SWITCH
4	SP-PC-BASE-SCH-32A-IP67	BASE 32 A 5P 400V IP44	SOCKET 32A
5	SP-PC-BASE-SCH-63A-IP67	BASE ENCHUFE SHUKO 63A 3P IP67 230V	SOCKET 63A
6	SP-PC-STARTER-D	ARRANQUE LLAVE	STARTER
7	2V80/90-CP07	ESTARTER	CHOKE
8	SP-PC-DELIXI-4-C32	DIFERENCIAL	BREAKER
9	SP-PC-CON-EARTH	TUERCA TOMA DE TIERRA	GROUNDING NUT
10	SP-PC-ATS-3	BASE CONECTOR ATS	ATS SOCKET
10-1	SP-PC-ATS-2	BASE CONECTOR ATS 2 PINS	2 PINS BASE



SP-PC-LED6