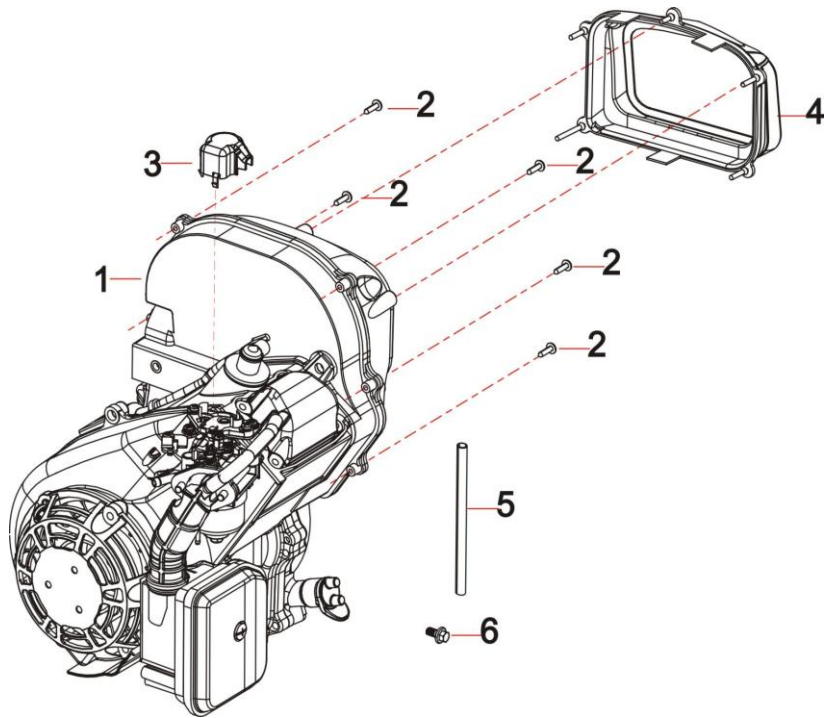


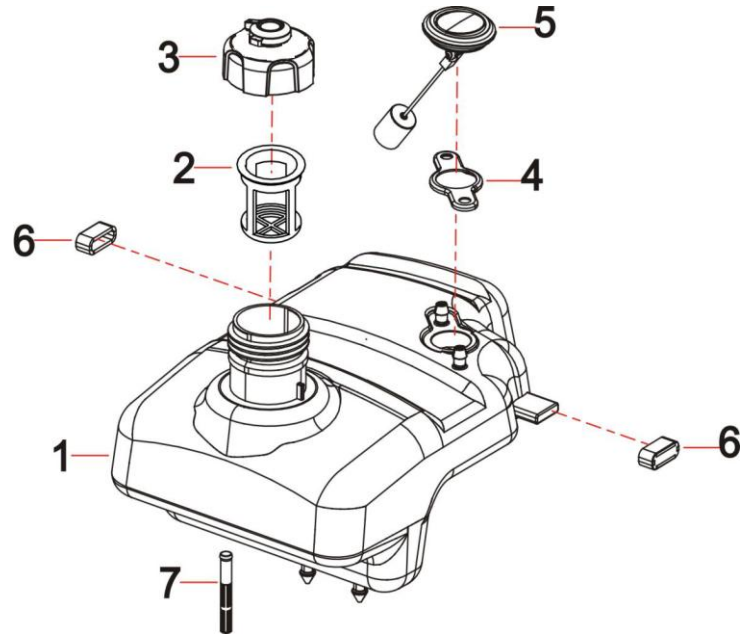
GK2000is

FIG.1 ENGINE (E00)



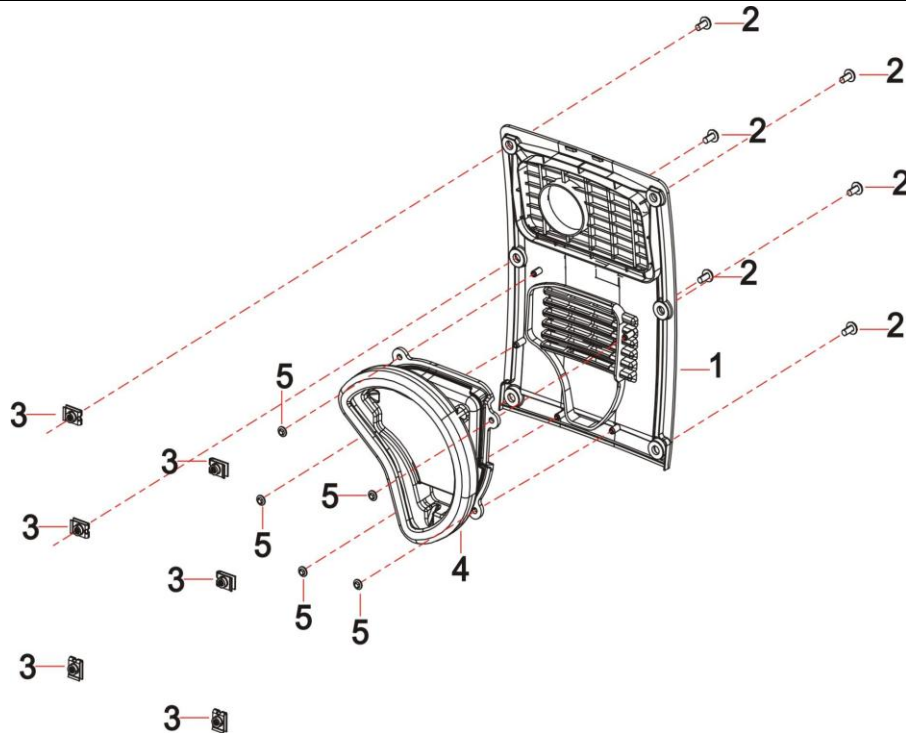
REF.NO.	PART NO	DESCRIPTION	Q'TY
1-1	G80IMF00WG002	ENGINE GK80I	1
1-2	G9011G0101040	SCREW	5
1-3	G3210G1301000	CAP	1
1-4	G3245G1301000	SILENCER SIDE COVER	1
1-5	G9068G1305000	TUBE, FUEL	1
1-6	G900106012010	BOLT	1

FIG.2 TANK, FUEL (F01)

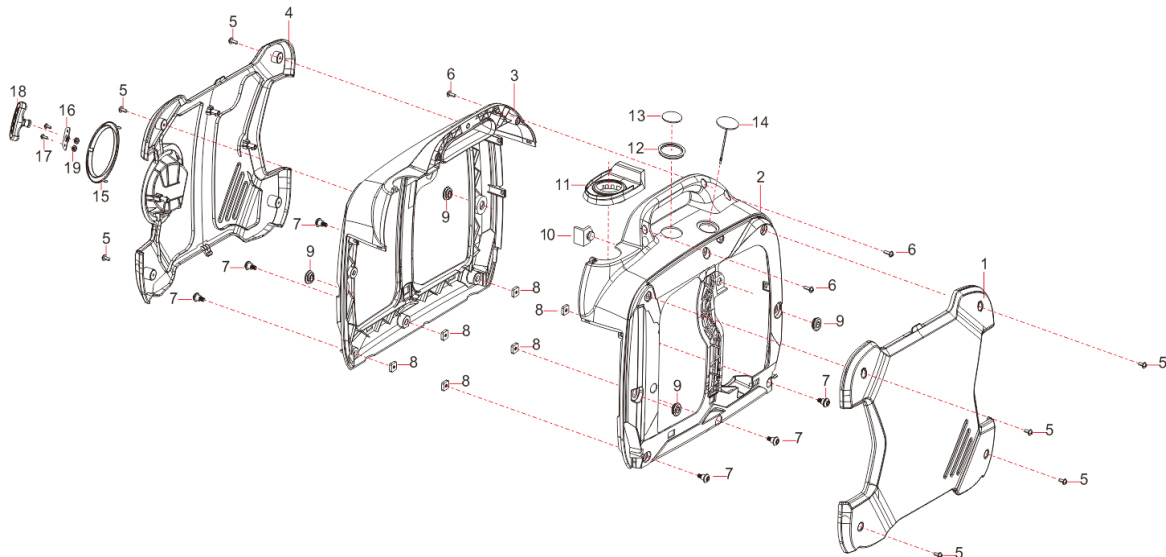


REF.NO.	PART NO	DESCRIPTION	Q'TY
2-1	G1679G1301000	TANK, FUEL	1
2-2	G1696G1301000	FUEL FILTER	1
2-3	G1685G1301000	COVER, FUEL TANK	1
2-4	G3640G1301010	PRESSING PLATE	1
2-5	G3601G1301000	FUEL GAUGE	1
2-6	G9069G1301000	BUSH	2
2-7	G3214G1301000	FILTER ELEMENT	1

FIG.3 MUFFLER SIDE COVER (F61)

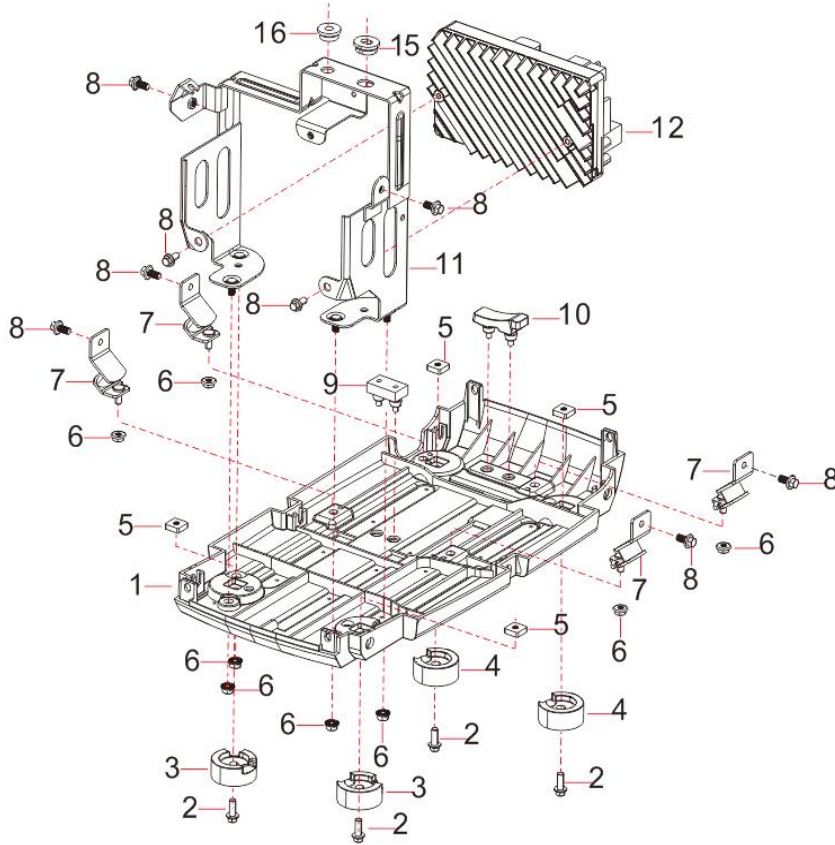


REF.NO.	PART NO	DESCRIPTION	Q'TY
3-1	G3254G1301000	SILENCER SIDE COVER	1
3-2	G9101G1304000	NON-STANDARD BOLT	6
3-3	G9014G1301010	CLIP NUT	6
3-4	G3261G1301000	JOINT SHOCK ABSORBER SLEEVE	1
3-5	G3262G1301000	SPRING SNAP RING	5

FIG.4 FRAME (F61)

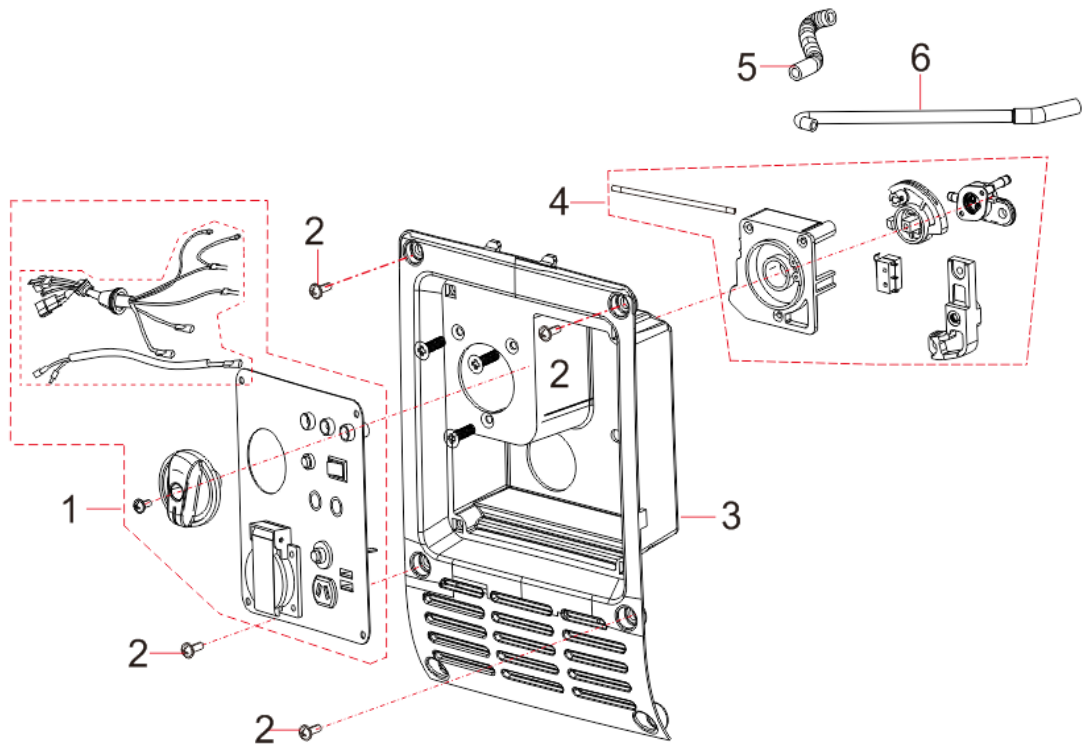
REF.NO.	PART NO	DESCRIPTION	Q'TY
4-1	G3246G1301000	RIGHT EXTERIOR COVER	1
4-2	G3234G1301000	RIGHT SHELL	1
4-3	G3229G1301000	LEFT SHELL	1
4-4	80092-Y2V0110	LEFT EXTERIOR COVER	1
4-5	G9101G1304000	NON-STANDARD BOLT	8
4-6	G900905016040	CROSS GROOVED DISC HEAD SCREW	9
4-7	G9101G1301000	NON-STANDARD BOLT	6
4-8	G9013G1301010	SQUARE NUT	6
4-9	G3001G1302000	FUEL TANK SUPPORT RUBBER SLEEVE	4
4-10	G3239G1301000	BUFFER CUSHION FOR ENGINE UPPER SUSPENSION	1
4-11	G3215G1301000	OIL INJECTION NOZZLE RUBBER SLEEVE	1
4-12	G3043G1301000	RUBBER SHEATH	1
4-13	G3253G1301000	OIL-MARKED GLASS WINDOW	1
4-14	G3043G1302000	RUBBER SHEATH	1
4-15	G3245G1301000	LEFT TRIM PANEL	1
4-16	G3202G1301000	STARTING ROPE GUIDE PLATE	1
4-17	G900904012010	CROSS GROOVED DISC HEAD SCREW	2
4-18	G3208G1301000	STARTING ROPE HANDLE	1
4-19	G900404000010	HEXAGON FLANGE NUTS	2

FIG.5 BASEPLATE, INVERTER, MOUNTING BRACKET(F61)



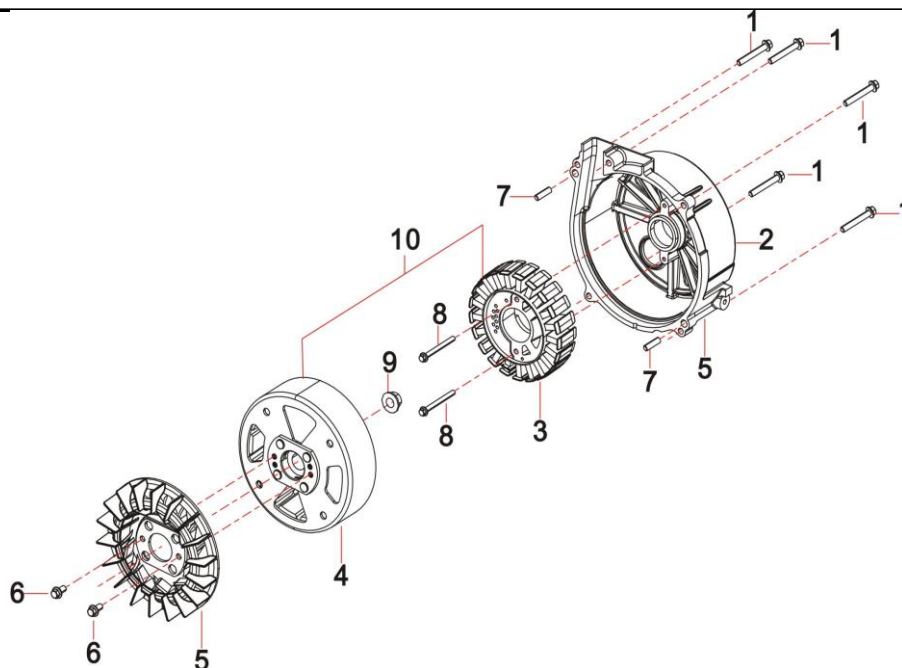
REF.NO.	PART NO	DESCRIPTION	Q'TY
5-1	G3227G1301000	BASEPLATE	1
5-2	G900106014010	BOLT	4
5-3	G3613G1301000	SEAT,FRAME	2
5-4	G3613G1302000	SEAT,FRAME	2
5-5	G9013G1301010	NUT	4
5-6	G900406000010	NUT	8
5-7	G3610G1301000	SEAT,FRAME	4
5-8	G900106012010	BOLT	8
5-9	G3228G1302000	BUFFER CUSHION SUPPORT	1
5-10	G3228G1301000	BUFFER CUSHION SUPPORT	1
5-11	G3216G1301000	INVERTER MOUNTING FRAME	1
5-12	G3305G1301000	INVERTER	1
5-15	G3001G1302000	SLEEVE, FUEL TANK RUBBER	1
5-16	G3001G1301000	SLEEVE, FUEL TANK RUBBER	1

FIG.6 CONTROL PANEL (F62)



REF.NO.	PART NO	DESCRIPTION	Q'TY
6-1	G3570G1303H20	CONTROL PANEL .ASSY	1
6-2	G901505012040	CROSS GROOVED SMALL DISC HEAD SCREW & FLAT WASHER	4
6-3	G3590G1301000	PANEL HOLDER	1
6-4	G1521G1301000	SWITCH ASSY	1
6-5	G9068G1301000	TUBE, FUEL	1
6-6	G9068G1302000	TUBE, FUEL	1

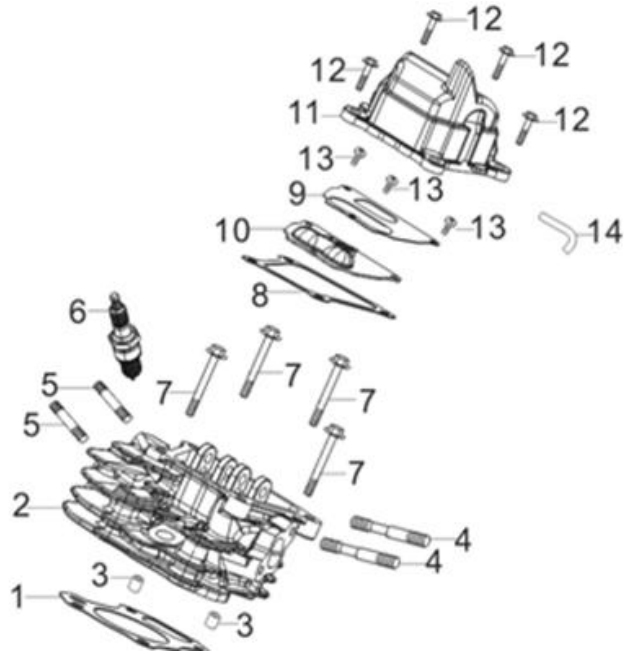
FIG.7 ROTOR/STATOR (F63)



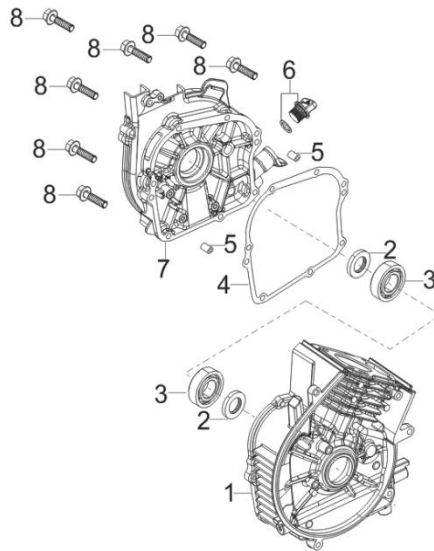
REF.NO.	PART NO	DESCRIPTION	Q'TY
7-1	G900106030010	BOLT	5
7-2	G3304G1301000	SHROUD, MOTOR	1
7-3	G3142G1301000	STATOR COMP.	1
7-4	G3141G1301000	ROTOR COMP	1
7-5	G1935G1301000	IMPELLER	1
7-6	G900106010010	BOLT	2
7-7	G905108012000	PIN	2
7-8	G900106030010	BOLT	2
7-9	G900412000010	NUT	1
7-10	G3140G1301000	MOTOR ASSY	1

GK80i ENGINE

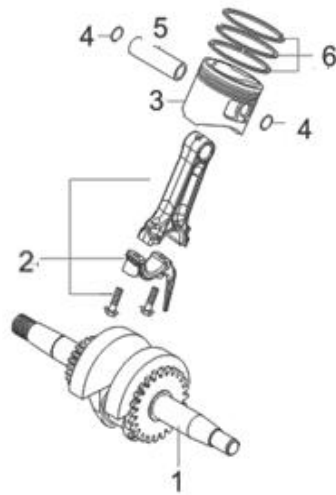
FIG.1 HEAD SUBASSEMBLY, CYLINDER / PLUG, SPARK



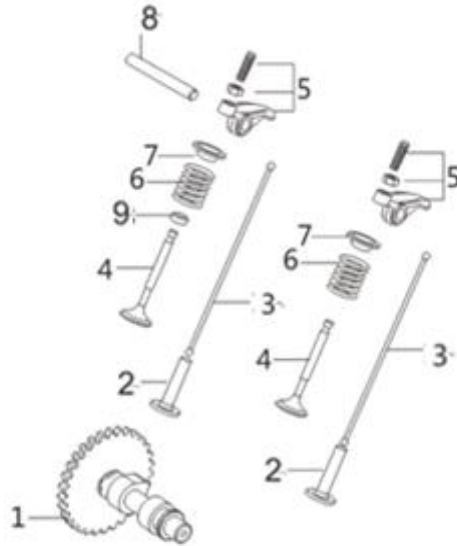
REF.NO.	PART NO	DESCRIPTION	Q'TY
1-1	G1230E2201000	GASKET, CYLINDER HEAD	1
1-2	G1214E2201000	HEAD SUBASSEMBLY, CYLINDER	1
1-3	G905108012000	PIN	2
1-4	G9103E2201010	STUD	2
1-5	G9103E2202010	STUD	2
1-6	G1567E2201000	PLUG, SPARK	1
1-7	G9109E2201010	BOLT, CYLINDER HEAD	4
1-8	G1204E2201000	GASKET, CYLINDER HEAD COVER	1
1-9	G1136E2201000	PIECE, BREATH	1
1-10	G1134E2201000	GASKET, BREATH GROOVE	1
1-11	G1241E2201000	COVER SUBASSEMBLY, CYLINDER HEAD	1
1-12	G900106016010	BOLT	4
1-13	G900908008010	SCREW	3
1-14	G1703E2201000	TUBE, BREATHER	1

FIG.2 CRANKCASE./COVER SUBASSEMBLY, CRANKCASE

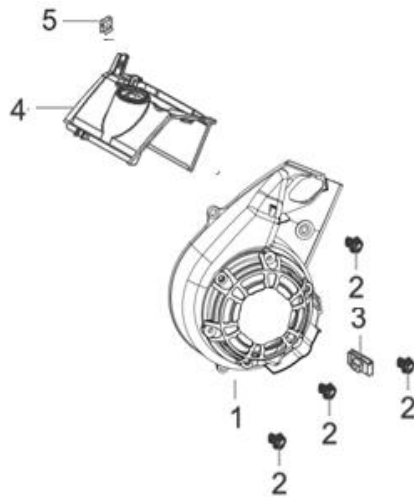
REF.NO.	PART NO	DESCRIPTION	Q'TY
2-1	G1131E2201120	CRANKCASE SUBASSEMBLY.	1
2-2	G9065E2201000	OIL-SEAL	2
2-3	G905462046000	BEARING	2
2-4	G1101E2201000	GASKET, CRANKCASE	1
2-5	G905108012000	PIN	2
2-6	G1503E2201130	PLUG SUBASSEMBLY, ENGINE OIL	1
2-7	G1141E2201120	COVER, CRANKCASE	1
2-8	G900106020010	BOLT	7

FIG.3 RING SET,OIL / ROD,CRANKSHAFT CONNETING

REF.NO.	PART NO	DESCRIPTION	Q'TY
3-1	G1330E2201000	CRANKSHAFT ASSY.	1
3-2	G1301E2201000	ROD, CONNECTING	1
3-3	G1311E2201000	PISTON	1
3-4	G1313E2201000	CLIP, PISTON PIN	2
3-5	G1312E2201000	PIN, PISTON	1
3-6	G1320E2201000	RING ASSY, PISTON	1

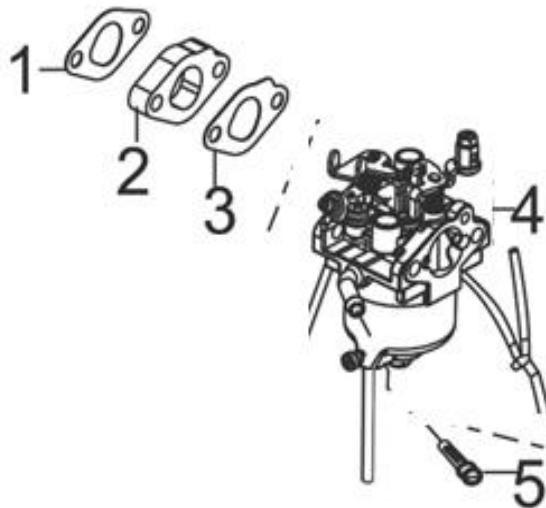
FIG.4 TRAIN,VALVE / CAMSHAFT SUBASSEMBLY

REF.NO.	PART NO	DESCRIPTION	Q'TY
4-1	G1420E2201000	CAMSHAFT ASSY.	1
4-2	G1481E2201000	TAPPET, VALVE	2
4-3	G1470E2201000	LIFTER, VALVE	2
4-4	G1220E2201000	VALVE SET	1
4-5	G1430E2201000	ROCKER SUBASSEMBLY, VALVE	2
4-6	G1213E2201000	SPRING, VALVE	2
4-7	G1212E2201000	SEAT, VALVE SPRING	2
4-8	G1432E2201000	SHAFT, VALVE ROCKER	1
4-9	G1211E2201000	GUIDE, SEAL	1

FIG.5 STARTER, RECOIL

REF.NO.	PART NO	DESCRIPTION	Q'TY
5-1	G2810E2201000	STARTER ASSY, RECOIL	1
5-2	G900106016010	BOLT	4
5-3	G9014G1301010	NUT	1
5-4	G1251E2201000	AIR DEFLECTOR, CYLINDER HEAD	1
5-5	G9076E2201000	BAYONET LOCK	1

FIG.6 CARBURETOR ASSY.



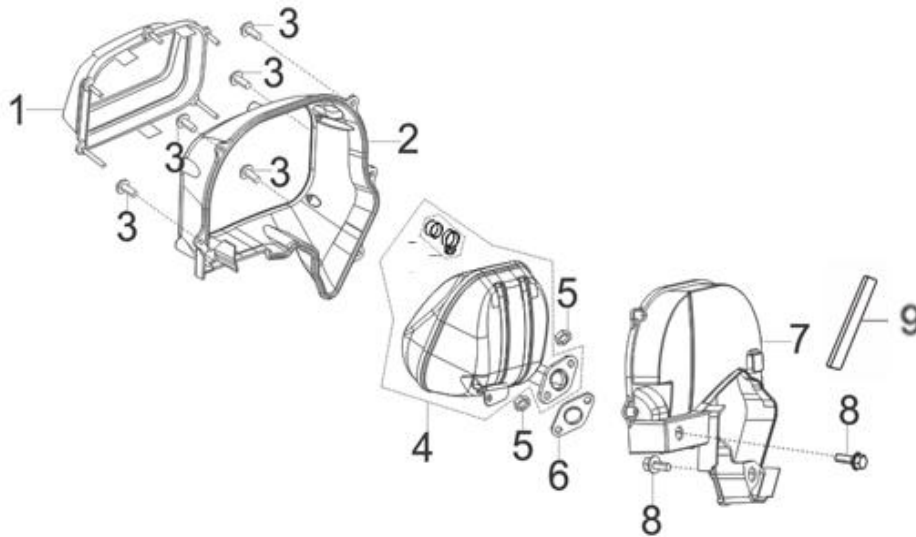
REF.NO.	PART NO	DESCRIPTION	Q'TY
6-1	G1702E2201000	GASKET, CARBURETOR	1
6-2	G1603E2201000	PLATE, CARBURETOR INSULATOR	1
6-3	G1601E2201000	GASKET, CARBURETOR INSULATOR	1
6-4	G1610E2201000	CARBURETOR ASSY.	1
6-5	G1696E2201000	FUEL FILTER	1

FIG.7 CLEANER, AIR



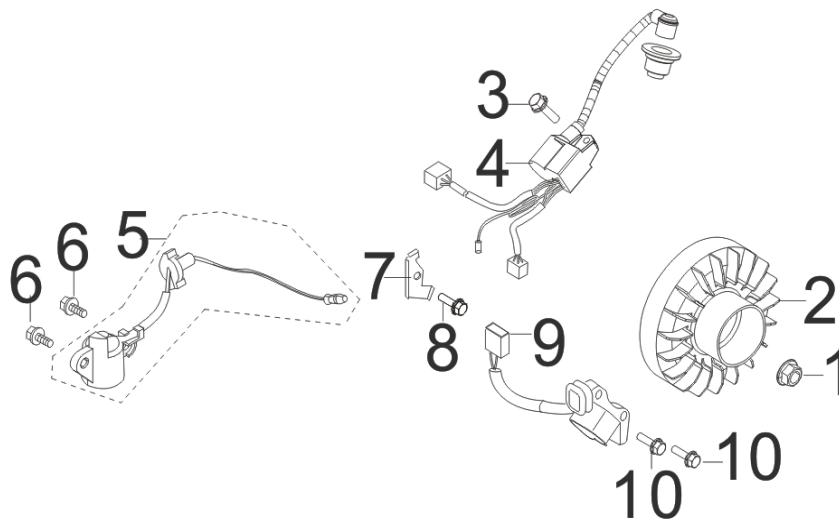
REF.NO.	PART NO	DESCRIPTION	Q'TY
7-1	G1710E2201000	CLEANER, AIR	1
7-2	G1701E2201000	GASKET, AIR CLEANER	1
7-3	G900406000011	NUT	2
7-4	G900205020010	BOLT	1
7-5	G900106020010	BOLT	1

FIG.8MUFFLER ASSY.



REF.NO.	PART NO	DESCRIPTION	Q'TY
8-1	G3254E2201000	COVER, MUFFLER SIDE	1
8-2	G1825E2201000	SHROUD, MUFFLER	1
8-3	G901648016010	SCREW, CROSS GROOVE PAN	5
8-4	G1810E2201000	MUFFLER ASSY.	1
8-5	G900506000010	NUT	2
8-6	G1801E2201000	GASKET, EXHAUST OUTLET	1
8-7	G1819E2201000	MUFFLER SHIELD	1
8-8	G900106016010	BOLT	2
8-9	G1826E2201000	COVER, GASKET	1

FIG.9FLYWHEEL / IMPELLER / STARTER PULLEY / IGNITION COIL



REF.NO.	PART NO	DESCRIPTION	Q'TY
9-1	G910212000010	NUT, FLYWHEEL	1
9-2	G1351E2201000	FLYWHEEL SUBASSEMBLY	1
9-3	G900106020010	BOLT	1
9-4	G1509E2202000	IGNITOR	1
9-5	G1536E2201000	SENSOR, ENGINE OIL	1
9-6	G900106012010	BOLT	2
9-7	G3306E2201000	CLAMP	1
9-8	G900106012010	BOLT	1
9-9	G1506E2201000	COIL, IGNITION	1
9-10	G900106020010	BOLT	2