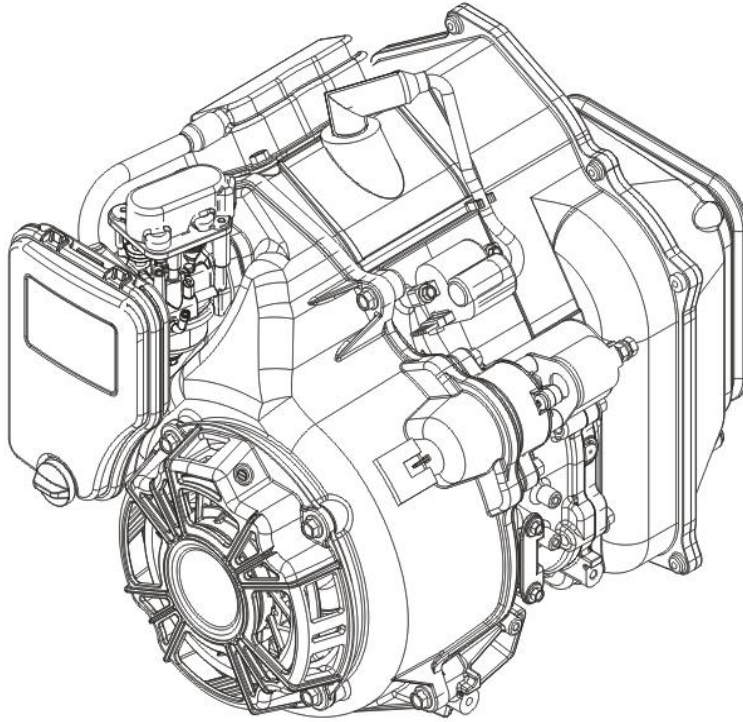


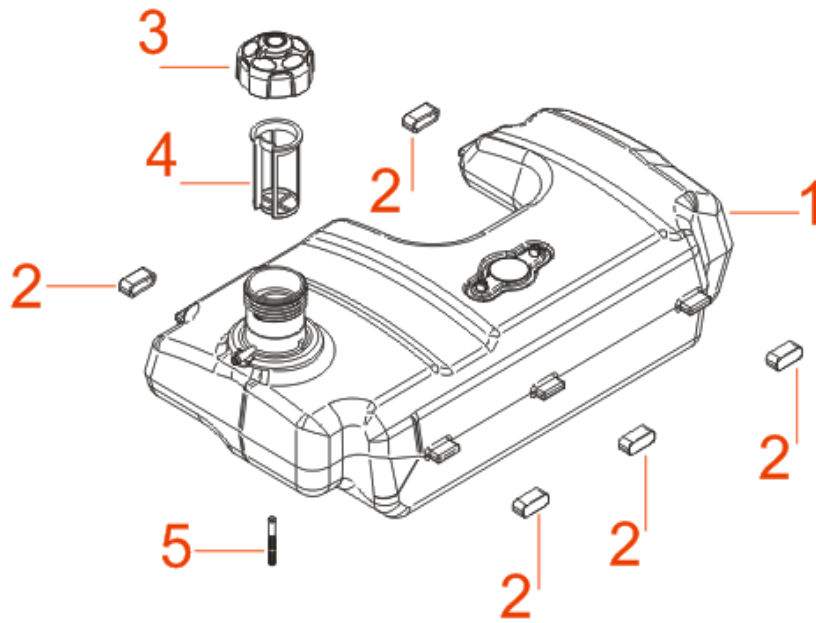
# GK3500is

**FIG.1 ENGINE (E00)**



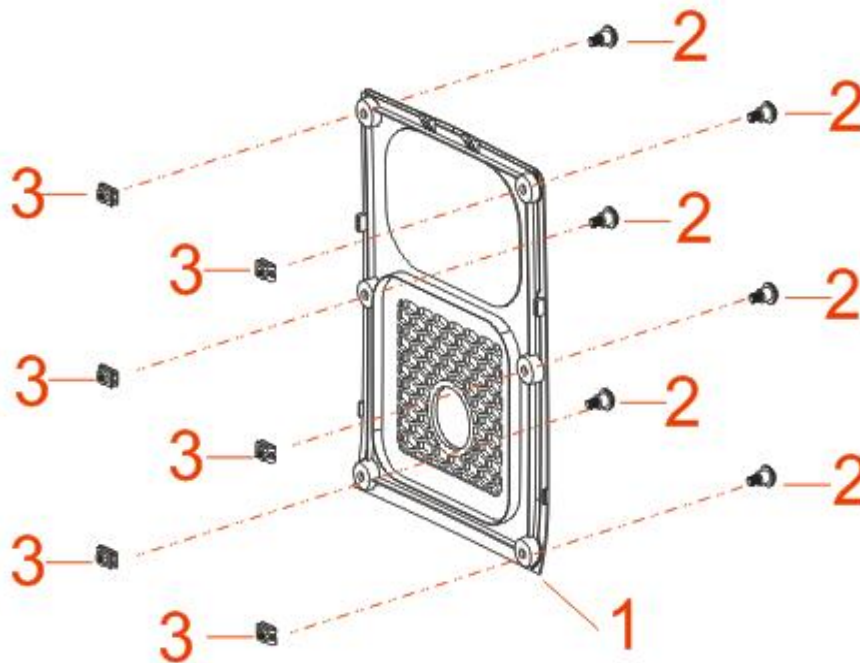
REF.NO.	PART NO	DESCRIPTION	Q'TY
1-1	G160IEFVJS002	ENGINE GK160E-VI	1

**FIG.2 TANK, FUEL (F01)**

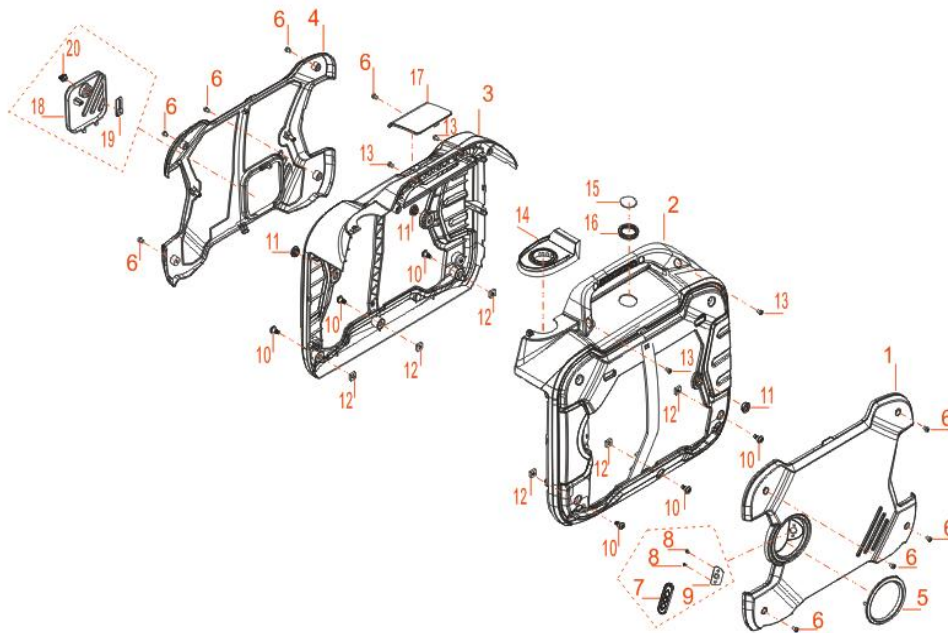


REF.NO.	PART NO	DESCRIPTION	Q'TY
2-1	G1679G3101000	TANK, FUEL	1
2-2	G9069G1301000	bushing	5
2-3	G1685G1302000	Fuel tank cap	1
2-4	G1696G1301000	filter	1
2-5	G3214G1301000	The filter cartridge	1

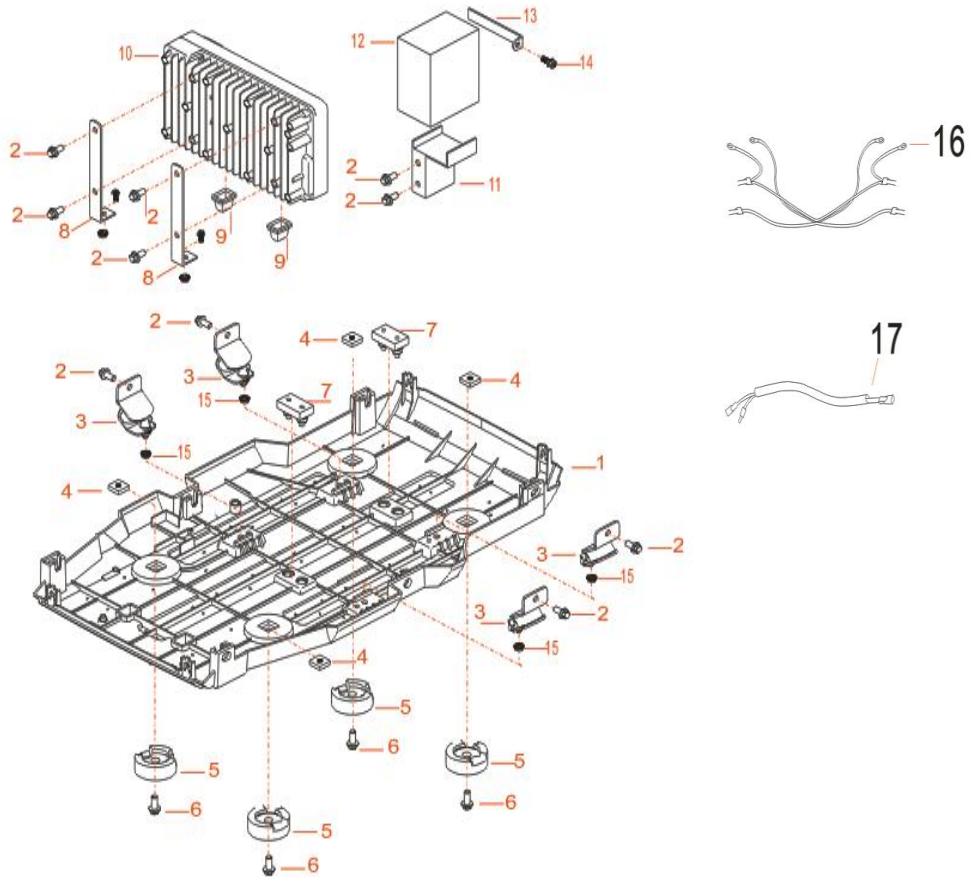
**FIG.3 MUFFLER SIDE COVER(F61)**



REF.NO.	PART NO	DESCRIPTION	Q'TY
3-1	G3254G3101000	muffler side cover	1
3-2	G9101G1304000	bolts	6
3-3	G9014G1301010	clip nut	6

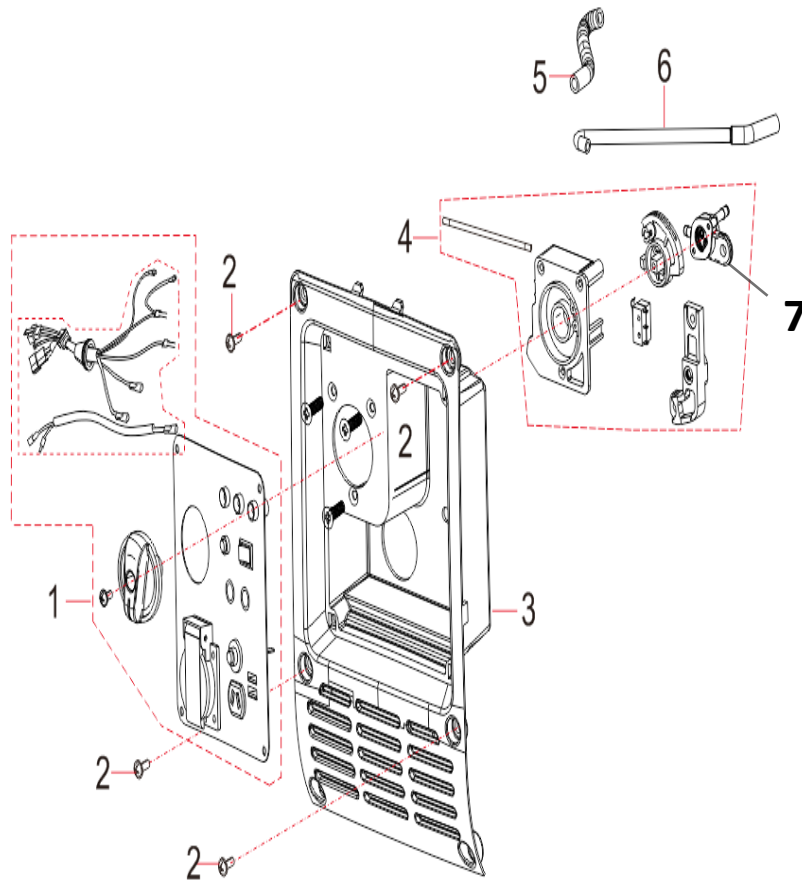
**FIG.4 (F61)**

REF.NO.	PART NO	DESCRIPTION	Q'TY
4-1	G3246G3103B80	Right exterior cover	1
4-2	G3234G3101000	right housing	1
4-3	G3229G3101000	left housing	1
4-4	G3240G3102B80	Left exterior cover	1
4-5	G3245G1301000	Left trim panel	1
4-6	G900905016040	Cross recessed pan head screws	8
4-7	G3208G1301000	starter cord handle	1
4-8	G900904012010	Cross recessed pan head screws	2
4-9	G3202G1301000	starter rope guide	1
4-10	G9101G1301000	Non-standard bolts (hexagonal cross groove step bolts)	6
4-11	G3001G1302000	Fuel tank support sleeve	3
4-12	G9013G1301010	square nut	6
4-13	G9101G1304000	Non-standard bolts (hexagonal step bolts with cross grooves)	4
4-14	G3215G1301000	Oil filler cap	1
4-15	G3253G1301000	Oil standard glass window	1
4-16	G3043G1301000	rubber sheath	1
4-17	G1142G3101000	cover_upper cover	1
4-18	G1142G3103B80	Cover_Maintenance Cover	1
4-19	G3627G1403000	Limit block	1
4-20	G3575G1401000	knob	1

**FIG.5****Base plate, inverter, inverter mounting bracket (F61)**

REF.NO.	PART NO	DESCRIPTION	Q'TY
5-1	G3227G3101000	Bottom plate_ Bottom plate combination	1
5-2	G900106012010	Standard Hex Flange Bolts (Small Head)	12
5-3	G3610G3101000	Rack shock pad	4
5-4	G9013G1301010	square nut	4
5-5	G3613G3101000	Rack shock mount	4
5-6	G900106016010	Standard Hex Flange Bolts (Small Head)	4
5-7	G3228G1302000	Buffer pad support	2
5-8	G3216G3101000	Inverter Mounting Bracket	2
5-9	G3043G1401000	rubber sheath	2
5-10	G3305G3101000	Inverter	1
5-11	G3115G3101H20	battery holder	1
5-12	G3110G3101000	battery	1
5-13	G3640G3101H20	Briquette (Battery)	1
5-14	G901505012040	Cross recessed pan head screw + flat washer combination	1
5-15	G900406000010	Hexagon flange face nuts (with anti-skid teeth)	6
5-16	G3290G3108000	wiring harness	1
5-17	G3290G3107000	wiring harness	1

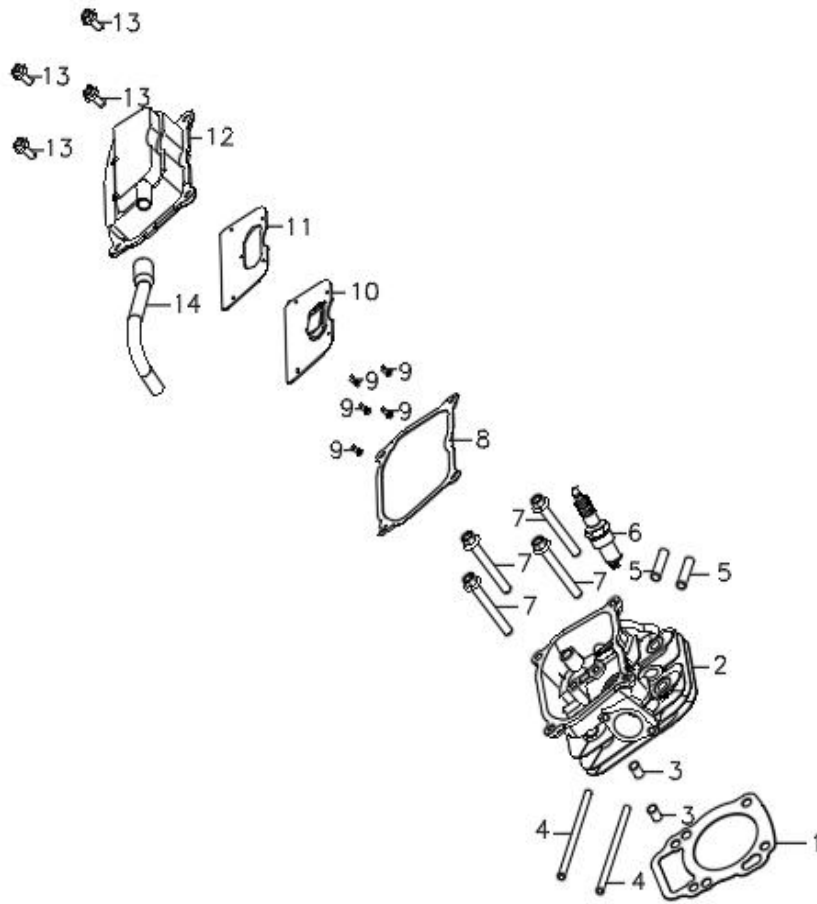
**FIG.6 CONTROL PANEL (F62)**



REF.NO.	PART NO	DESCRIPTION	Q'TY
6-1	G3570G3129H20	control panel combination	1
6-2	G901505012040	Cross recessed pan head screw + flat washer combination	4
6-3	G3590G3101000	Panel holder	1
6-4	G1521G1301000	switch assembly	1
6-5	G9068G1404000	tubing	1
6-6	G9068G3101000	tubing	1
6-7	G3002G1301000	Oil switch	1

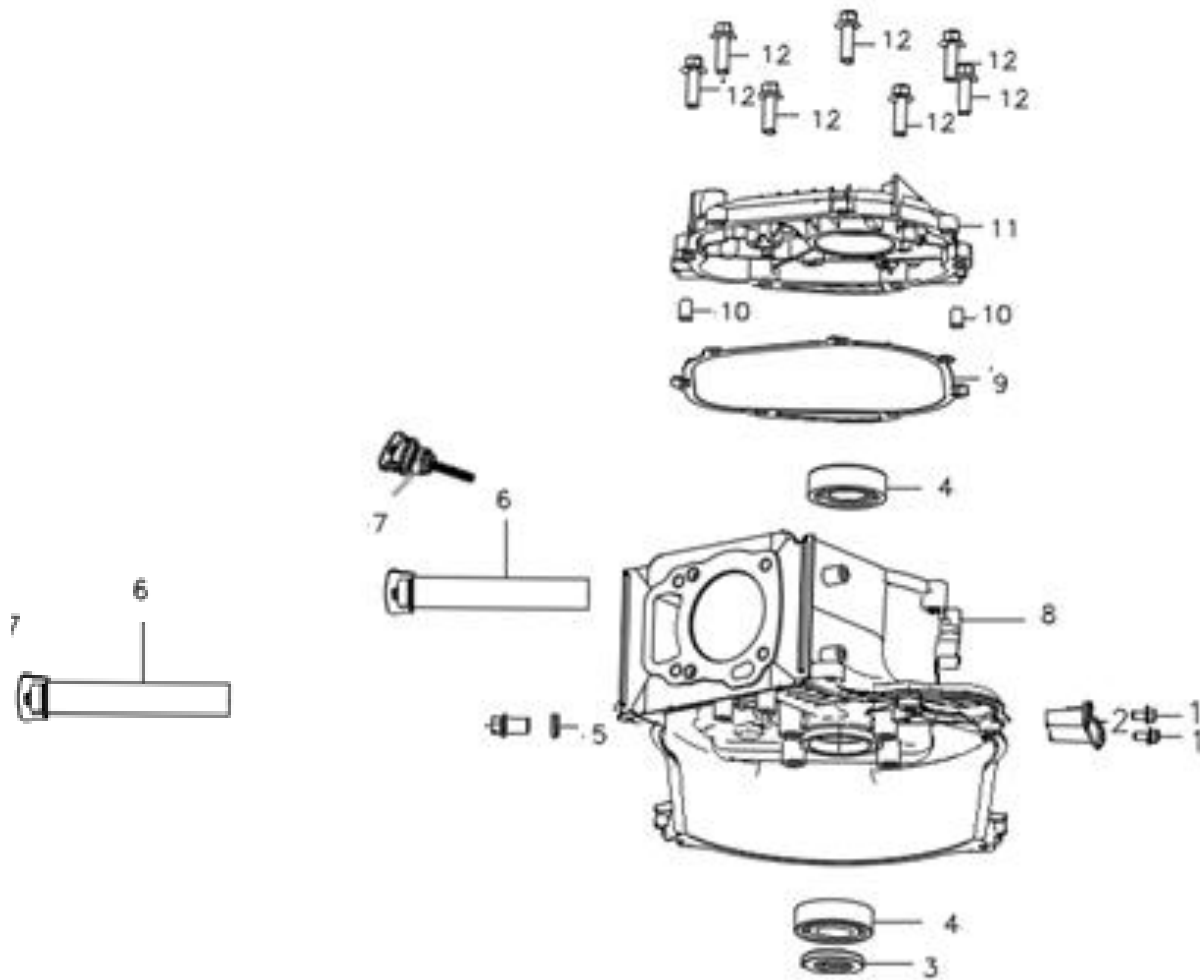
# GK160VI

**FIG.1 HEAD SUBASSEMBLY, CYLINDER / PLUG, SPARK**



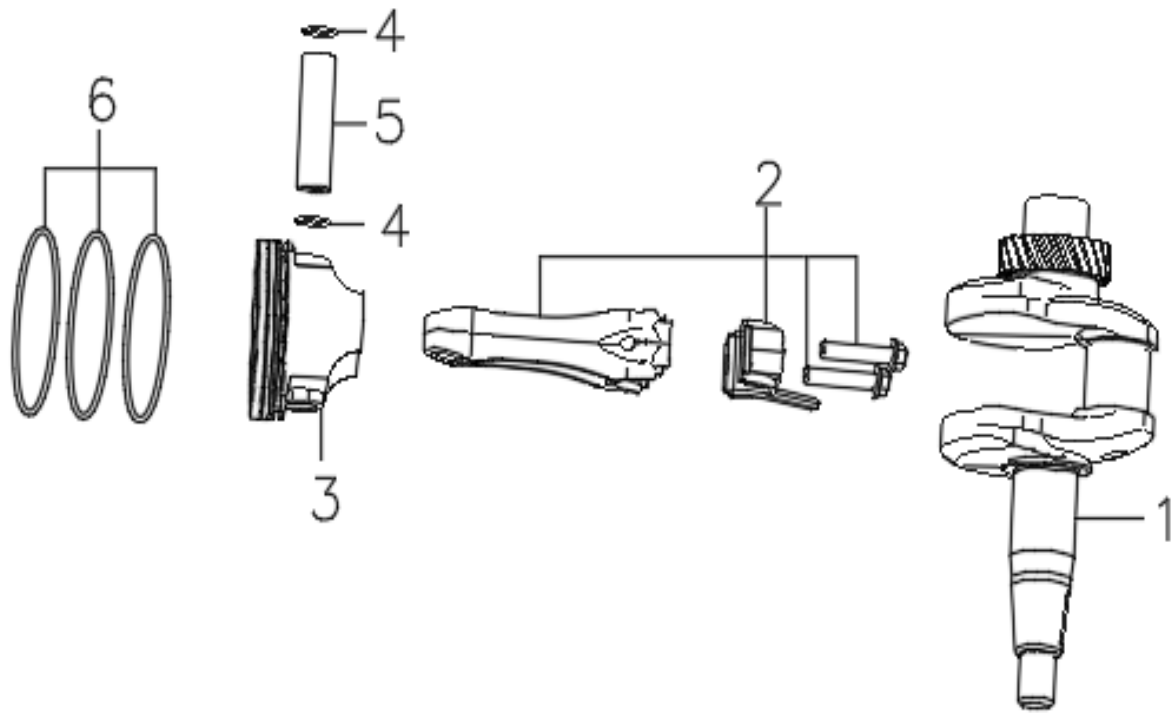
REF.NO.	PART NO	DESCRIPTION	Q'TY
1-1	G1230E3001000	GASKET, CYLINDER HEAD	1
1-2	G1214E3002000	HEAD SUBASSEMBLY, CYLINDER	1
1-3	G905108012000	PIN	2
1-4	G900306123010	STUD	2
1-5	G910308034010	STUD	2
1-6	G1567E0103000	PLUG, SPARK	1
1-7	G910108055010	BOLT, CYLINDER HEAD	4
1-8	G1204E3001000	GASKET, CYLINDER HEAD COVER	1
1-9	G900908008010	SCREW	5
1-10	G1135E3001000	PIECE, BREATH	1
1-11	G1134E3001000	GASKET, BREATH GROOVE	1
1-12	G1241E3001000	COVER SUBASSEMBLY, CYLINDER HEAD	1
1-13	G900106016010	BOLT	4
1-14	G1703E3001000	TUBE, BREATHER	1

**FIG.2 CRANKCASE./COVER SUBASSEMBLY, CRANKCASE**



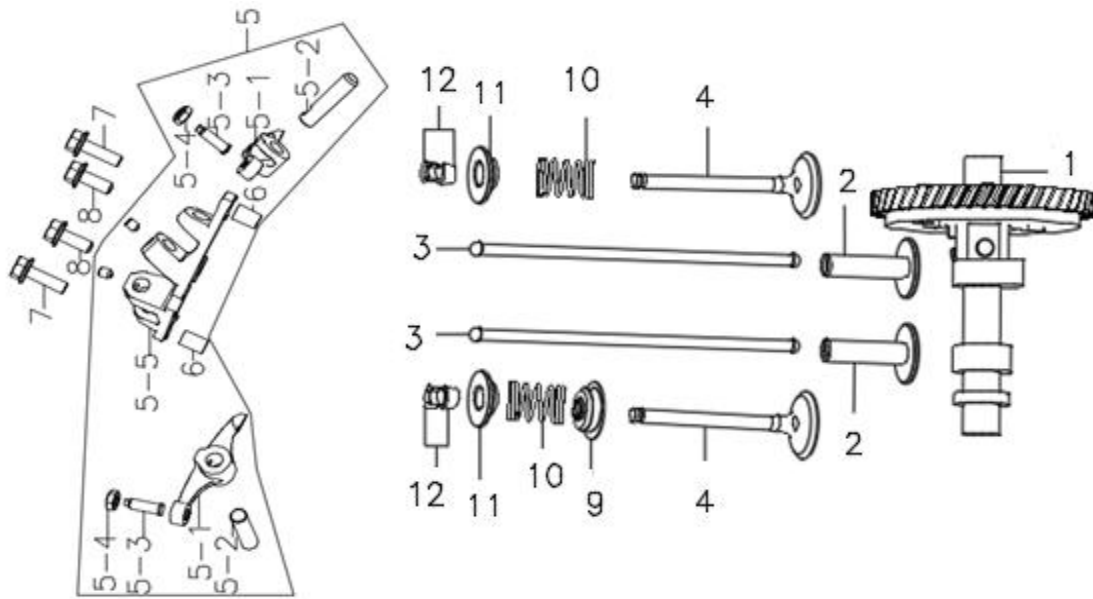
REF.NO.	PART NO	DESCRIPTION	Q'TY
2-1	G900205012010	BOLT	2
2-2	G1142E3001000	cover	1
2-3	G9065E0101000	OIL-SEAL	1
2-4	G90546205TM50	BEARING	2
2-5	G9041E0101000	Flat Washers - Grade A	1
2-6	G9063E2101000	OIL DRAIN PIPE	1
2-7	G1501E0101110	PLUG SUBASSEMBLY, ENGINE OIL	1
2-8	G1131E3002000	CRANKCASE SUBASSEMBLY.	1
2-9	G1101E3001000	GASKET, CRANKCASE	1
2-10	G905108012000	PIN	2
2-11	G1141E3001000	COVER, CRANKCASE	1
2-12	G900108025010	BOLT	7

**FIG.3 RING SET,OIL / ROD,CRANKSHAFT CONNETING**



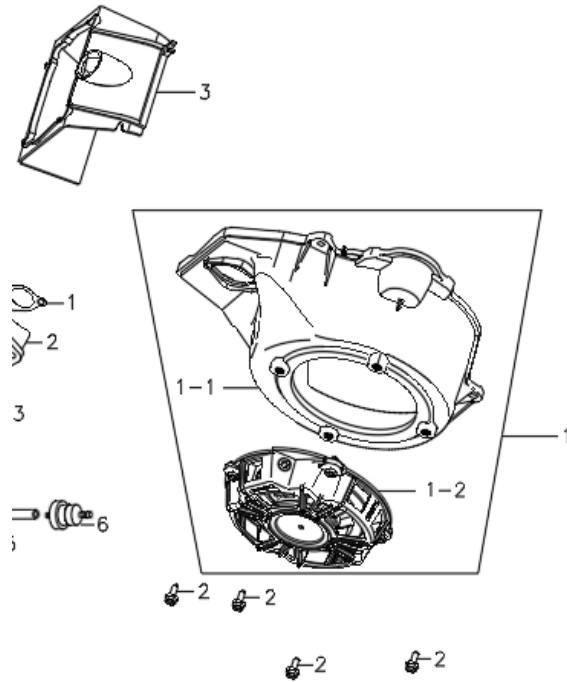
REF.NO.	PART NO	DESCRIPTION	Q'TY
3-1	G1330E3001000	CRANKSHAFT ASSY.	1
3-2	G1301E3001000	ROD, CONNECTING	1
3-3	G1311E3001000	PISTON	1
3-4	G1313E1001000	CLIP, PISTON PIN	2
3-5	G1312E1001000	PIN, PISTON	1
3-6	G1320E3001000	RING ASSY, PISTON	1

**FIG.4 TRAIN,VALVE / CAMSHAFT SUBASSEMBLY**



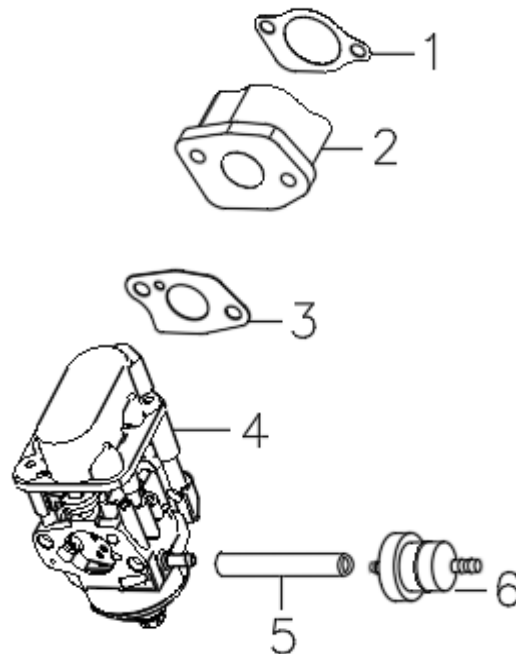
REF.NO.	PART NO	DESCRIPTION	Q'TY
4-1	G1420E3001000	CAMSHAFT ASSY.	1
4-2	G1481E3001000	TAPPET, VALVE	2
4-3	G1470E3001000	LIFTER, VALVE	2
4-4	G1220E3001000	VALVE SET	1
4-5	G1430E3001000	ROCKER SUBASSEMBLY, VALVE	2
4-5-1	G1431E3001000	ARM VALVE ROCKER	2
4-5-2	G1432E3001000	SHAFT VALVE ROCKER	2
4-5-3	G1413E3001000	VALVE FASTENING SCREW	2
4-5-4	G1411E3001000	VALVE LOCKING NUT	2
4-5-5	G1435E3001000	ROCKER SEAT	1
4-6	G905108010000	PIN	2
4-7	G900106020010	BOLT	2
4-8	G900106016010	BOLT	2
4-9	G1211E0101000	GUIDE, SEAL	1
4-10	G1213E3001000	SPRING, VALVE	2
4-11	G1212E2802000	SEAT, VALVE SPRING	2
4-12	G1209E0101000	VALVE LOCK CLAMP	4

**FIG.5 STARTER, RECOIL**

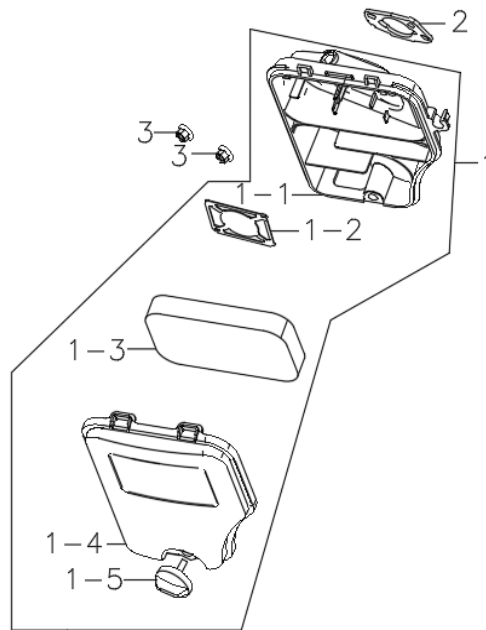


REF.NO.	PART NO	DESCRIPTION	Q'TY
5-1	G2810E3001000	STARTER ASSY, RECOIL	1
5-1-1	G2811E3001000	WIND GUIDE HOOD	1
5-1-2	G2812E3001000	HAND PULLER	1
5-2	G900106020010	BOLT	4
5-3	G1930E3001000	AIR DEFLECTOR, CYLINDER HEAD	1

**FIG.6 CARBURETOR ASSY.**

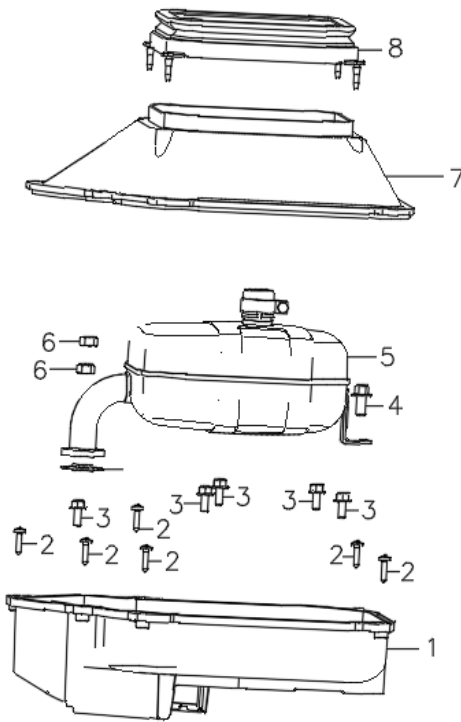


REF.NO.	PART NO	DESCRIPTION	Q'TY
6-1	G1702E3001000	GASKET, CARBURETOR	1
6-2	G1603E3001000	PLATE, CARBURETOR INSULATOR	1
6-3	G1601E0101000	GASKET, CARBURETOR INSULATOR	1
6-4	G1610E3001033	CARBURETOR ASSY.	1
6-5	G9068E0104000	OIL PIPE	1
6-6	G1142E1101000	GASOLINE FILTER	1

**FIG.7 CLEANER, AIR**

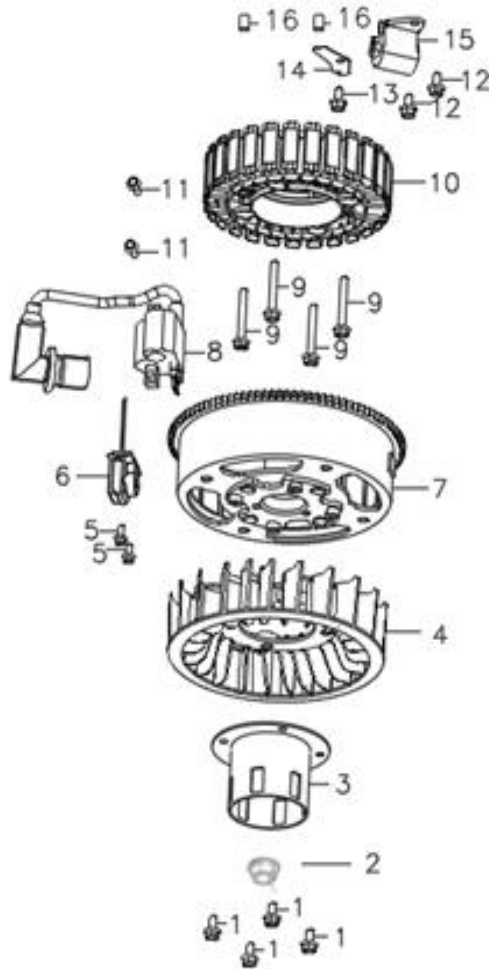
REF.NO.	PART NO	DESCRIPTION	Q'TY
7-1	G1710E3003000	CLEANER, AIR	1
7-1-1	G1711E3003000	CLEANER, AIR, SHELL	1
7-1-2	G1718E3001000	CLEANER, AIR, ELEMENT SUPPORT PLATE	1
7-1-3	G1713E3001000	CLEANER, AIR, ELEMENT	1
7-1-4	G1715E3001000	CLEANER, AIR, SHELL COVER	1
7-1-5	G1720E3001000	CLEANER, AIR, FASTENING SCREW	1
7-2	G1701E0101000	GASKET, AIR CLEANER	1
7-3	G900406000011	NUT	2

**FIG.8MUFFLER ASSY.**



REF.NO.	PART NO	DESCRIPTION	Q'TY
8-1	G1803E3001000		1
8-2	G901648016010	SCREW, CROSS GROOVE PAN	6
8-3	G900206016010	BOLT	5
8-4	G900108016010	BOLT	1
8-5	G1810E3001000	MUFFLER ASSY.	1
8-6	G900508000010	Type 1 Hex Nut	2
8-7	G2811E3001000	Wind shield	1
8-8	G1826E3001000	COVER, GASKET	1

**FIG.9 FLYWHEEL / IMPELLER / STARTER PULLEY / IGNITION COIL**



REF.NO.	PART NO	DESCRIPTION	Q'TY
9-1	G900106012010	BOLT	4
9-2	G910214000010	NUT, FLYWHEEL	1
9-3	G2802E2102000	START CUP	1
9-4	G1935E2102000	FAN	1
9-5	G900205012010	BOLT	2
9-6	G1508E3001000	TRIGGER	1
9-7	G3292E3002000	MAGNETO ROTOR	1
9-8	G1506E3001000	COIL, IGNITION	1
9-9	G900106045010	BOLT	4
9-10	G3293E3002000	MAGNETO STATOR	1
9-11	G900205016010	BOLT	2
9-12	G900106012010	BOLT	2
9-13	G900106012010	BOLT	1
9-14	G3306E3001000	CLAMP	1
9-15	G1536E3001000	SENSOR, ENGINE OIL	1
9-16	G905108012000	PIN	2