

(Note vulnerable properties: Refers to the degree of wear and tear in the day-to-day operation of the correct use of this part which according

机型Model:LC1P65FE-3

版本号: LC/LT - 2018 - A

曲轴箱 (CRANK CASE)

| 序号 | 零部件件号 | Description | 数量 | 单位 | 易损属性 |
|-----|----------------|--------------------------------|-----------|----------|------------------|
| No. | Part No. | | Reqd. QTY | UNIT | CONSUMABLE GRADE |
| 1 | 380020070-0001 | Hexagon bolt with flange | 4 | 件/PIECES | C |
| 2 | 120230118-0001 | Cylinder head cover | 1 | 件/PIECES | C |
| 3 | 120250045-0001 | Gasket for cylinder head cover | 1 | 件/PIECES | A |
| 4 | 140450060-0001 | Valve rocker combination | 2 | 套/SETS | B |
| 5 | 140710013-0002 | Plate, push rod guide | 1 | 件/PIECES | B |
| 6 | 140380020-0001 | Retainer, valve spring | 2 | 件/PIECES | B |
| 7 | 140340039-0001 | Inner spring of valve | 2 | 件/PIECES | B |
| 8 | 270960061-0001 | Spark plug | 1 | 件/PIECES | A |
| 9 | 110810361-0001 | Crankcase body | 1 | 件/PIECES | B |
| 10 | 380180124-0001 | Stud | 2 | 件/PIECES | C |
| 11 | 380650335-0001 | Oil seal | 1 | 件/PIECES | A |
| 12 | 110860005-0001 | Breath fin | 1 | 件/PIECES | A |
| 13 | 110850019-0001 | PACKING, BREATHER CHAMBER | 1 | 件/PIECES | A |
| 14 | 110840027-0001 | CAP,BREATHER CHAMBER | 1 | 件/PIECES | C |

曲轴箱 (CRANK CASE)

| 序号 | 零部件件号 | Description | 数量 | 单位 | 易损属性 |
|-----|----------------|--------------------------|-----------|----------|------------------|
| No. | Part No. | | Reqd. QTY | UNIT | CONSUMABLE GRADE |
| 15 | 380140167-0002 | Hexagon bolt with flange | 2 | 件/PIECES | C |
| 16 | 500550034-0001 | Valve Kit | 1 | 套/SETS | B |
| 17 | 140670029-0001 | Push rod | 2 | 件/PIECES | B |
| 18 | 140690002-0001 | Lifter, Valve | 2 | 件/PIECES | B |
| 19 | 380140077-0005 | Hexagon bolt with flange | 1 | 件/PIECES | C |
| 20 | 380140209-0001 | Hexagon bolt with flange | 1 | 件/PIECES | C |
| 21 | 293030027-0001 | Engine brake | 1 | 件/PIECES | B |
| 22 | 381140532-0001 | Tension spring | 1 | 件/PIECES | A |
| 23 | 140400016-0001 | Valve oil seal | 2 | 件/PIECES | B |

曲轴箱盖 (CRANK CASE COVER)

| 序号 | 零部件件号 | Description | 数量 | 单位 | 易损属性 |
|-----|----------------|---------------------------------------|-----------|----------|------------------|
| No. | Part No. | | Reqd. QTY | UNIT | CONSUMABLE GRADE |
| 1 | 380140103-0004 | Hexagon bolt with flange | 10 | 件/PIECES | C |
| 2 | 380650347-0001 | Oil seal | 1 | 件/PIECES | A |
| 3 | 110820117-0001 | Crankcase cover | 1 | 件/PIECES | C |
| 4 | 110690084-0001 | Oil rule combination | 1 | 件/PIECES | B |
| 5 | 380600241-0001 | ocation pin | 2 | 件/PIECES | C |
| 6 | 171750024-0001 | Components of governor gear | 1 | 套/SETS | B |
| 7 | 380140167-0002 | Hexagon bolt with flange | 2 | 件/PIECES | C |
| 8 | 171630010-0001 | Speed regulating arm | 1 | 件/PIECES | B |
| 9 | 380450527-0001 | Flat washer | 1 | 件/PIECES | C |
| 10 | 380650338-0001 | Oil seal | 1 | 件/PIECES | B |
| 11 | 381350004-0001 | Pin clip | 1 | 件/PIECES | A |
| 12 | 380250002-0001 | Square head set screw with flat point | 1 | 件/PIECES | C |
| 13 | 171620033-0003 | Speed regulating bracket | 1 | 件/PIECES | C |
| 14 | 380370048-0001 | Hexagon nut with flange | 1 | 件/PIECES | C |
| 15 | 171600064-0001 | Governing spring | 1 | 件/PIECES | A |
| 16 | 171680099-0001 | Throttle handle combination | 1 | 件/PIECES | B |

曲轴/活塞 (CRANKSHAFT/PISTON)

| 序号 | 零部件件号 | Description | 数量 | 单位 | 易损属性 |
|-----|----------------|-------------------------|-----------|----------|------------------|
| No. | Part No. | | Reqd. QTY | UNIT | CONSUMABLE GRADE |
| 1 | 130070257-0001 | Piston ring combination | 1 | 套/SETS | A |
| 2 | 130030301-0001 | Piston | 1 | 件/PIECES | A |
| 3 | 130060030-0001 | Piston pin | 1 | 件/PIECES | B |
| 4 | 380560055-0001 | Steel cable baffle ring | 2 | 件/PIECES | B |
| 5 | 130150155-0001 | Connecting rod | 1 | 件/PIECES | B |
| 6 | 130290661-0001 | crankshaft | 1 | 件/PIECES | B |
| 7 | 380450518-0001 | Flat washer | 1 | 件/PIECES | C |
| 8 | 140020117-0001 | Camshaft assy | 1 | 件/PIECES | B |
| 9 | 380450534-0001 | Flat washer | 1 | 件/PIECES | C |

起动器 (STARTER)

| 序号 | 零部件件号 | Description | 数量 | 单位 | 易损属性 |
|----|-------|-------------|----|----|------|
|----|-------|-------------|----|----|------|

| No. | Part No. | Description | Reqd. QTY | UNIT | CONSUMABLE GRADE |
|-----|----------------|--------------------------|-----------|----------|------------------|
| 1 | 380370066-0001 | Hexagon nut with flange | 3 | 件/PIECES | C |
| 2 | 193490498-0001 | Manual starting assembly | 1 | 套/SETS | B |
| 3 | 160210109-0003 | Fan cover comp. | 1 | 件/PIECES | B |
| 4 | 380850010-0001 | Stay stud | 2 | 件/PIECES | C |
| 5 | 380370051-0001 | Hexagon nut with flange | 1 | 件/PIECES | C |
| 6 | 380850016-0001 | Stay stud | 1 | 件/PIECES | C |
| 7 | 380140086-0002 | Hexagon bolt with flange | 1 | 件/PIECES | C |
| 8 | 270020232-0001 | FLYWHEEL COMP | 1 | 件/PIECES | B |
| 9 | 270920458-0001 | COIL ASSY.,IGNNTION | 1 | 套/SETS | A |

化油器 (CARBURETOR)

| 序号 | 零部件件号 | Description | 数量 | 单位 | 易损属性 |
|-----|----------------|--------------------------------------|-----------|----------|------------------|
| No. | Part No. | | Reqd. QTY | UNIT | CONSUMABLE GRADE |
| 1 | 170430148-0001 | Carburetor gasket | 1 | 件/PIECES | A |
| 2 | 170440055-0001 | Heat insulating pad for carburetor | 1 | 件/PIECES | B |
| 3 | 170450006-0001 | Heat insulating plate for carburetor | 1 | 件/PIECES | B |
| 4 | 170022125-0001 | Carburetor | 1 | 件/PIECES | B |
| 5 | 170430162-0001 | Carburetor gasket | 1 | 件/PIECES | B |
| 6 | 171590025-0001 | Throttle rod | 1 | 件/PIECES | B |

空滤器 (AIR CLEANER)

| 序号 | 零部件件号 | Description | 数量 | 单位 | 易损属性 |
|-----|----------------|-------------------------|-----------|----------|------------------|
| No. | Part No. | | Reqd. QTY | UNIT | CONSUMABLE GRADE |
| 1 | 180020949-0001 | Air filter | 1 | 套/SETS | B |
| 2 | 380741094-0002 | Breather tube | 1 | 件/PIECES | A |
| 3 | 180130251-0001 | Air filter element | 1 | 件/PIECES | A |
| 4 | 180130250-0001 | Air filter element | 1 | 件/PIECES | A |
| 5 | 381000374-0001 | Caulking | 1 | 件/PIECES | A |
| 6 | 380370066-0001 | Hexagon nut with flange | 2 | 件/PIECES | C |

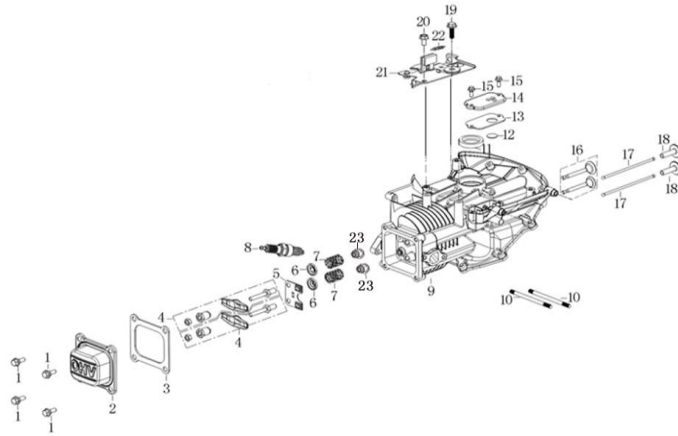
消声器 (MUFFLER)

| 序号 | 零部件件号 | Description | 数量 | 单位 | 易损属性 |
|-----|----------------|--------------------------|-----------|----------|------------------|
| No. | Part No. | | Reqd. QTY | UNIT | CONSUMABLE GRADE |
| 1 | 380140209-0001 | Hexagon bolt with flange | 4 | 件/PIECES | C |
| 2 | 180960128-0001 | Muffler guard shield | 1 | 件/PIECES | C |

| | | | | | |
|---|----------------|-----------------------------------|---|----------|---|
| 3 | 380140173-0002 | Hexagon bolt with flange | 2 | 件/PIECES | C |
| 4 | 180572097-0001 | Muffler | 1 | 件/PIECES | B |
| 5 | 180660077-0001 | Muffler gasket | 1 | 件/PIECES | A |
| 6 | 171470012-0001 | Control components of choke valve | 1 | 件/PIECES | B |
| 7 | 380140167-0002 | Hexagon bolt with flange | 2 | 件/PIECES | C |
| 8 | 171650040-0001 | Choke valve pull rod | 1 | 件/PIECES | B |
| 9 | 173090001-0001 | Locker of choke valve pull rob | 1 | 件/PIECES | A |

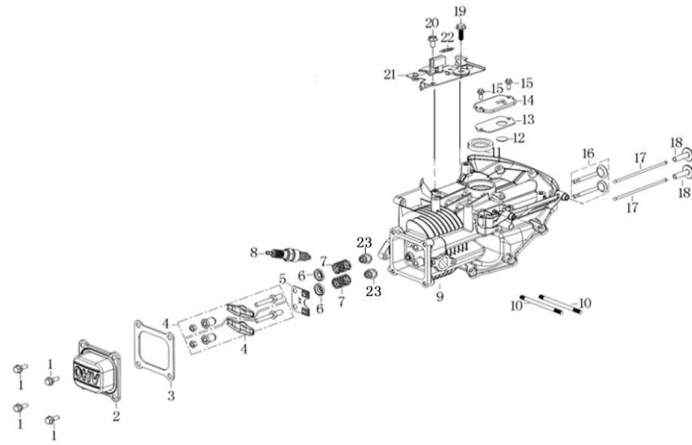
燃油箱 (FUEL TANK)

| 序号 | 零部件件号 | Description | 数量 | 单位 | 易损属性 |
|-----|----------------|-----------------------------|-----------|----------|------------------|
| No. | Part No. | | Reqd. QTY | UNIT | CONSUMABLE GRADE |
| 1 | 170870094-0001 | Tank cover | 1 | 件/PIECES | B |
| 2 | 170490302-0001 | Tank | 1 | 件/PIECES | B |
| 3 | 380020071-0001 | Hexagon shaft shoulder bolt | 2 | 件/PIECES | C |
| 4 | 170010017-0001 | Fuel filter | 1 | 件/PIECES | A |
| 5 | 380950190-0001 | Pipe clip | 2 | 件/PIECES | B |
| 6 | 380750633-0002 | Oil tube | 1 | 件/PIECES | A |



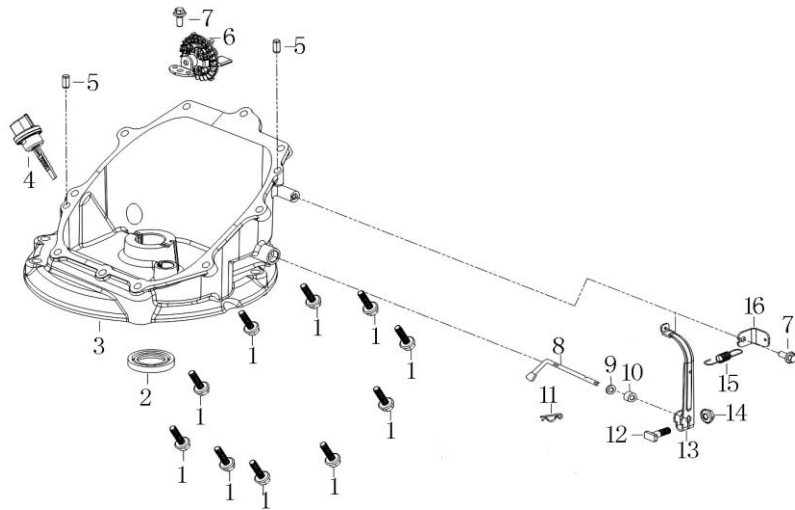
曲轴箱 (CRANK CASE)

| 序号 | 零部件件号 | Description | 数量 | 单位 | 易损属性 |
|-----|----------------|--------------------------------|-----------|----------|------------------|
| No. | Part No. | | Reqd. QTY | UNIT | CONSUMABLE GRADE |
| 1 | 380020070-0001 | Hexagon bolt with flange | 4 | 件/PIECES | C |
| 2 | 120230118-0001 | Cylinder head cover | 1 | 件/PIECES | C |
| 3 | 120250045-0001 | Gasket for cylinder head cover | 1 | 件/PIECES | A |
| 4 | 140450060-0001 | Valve rocker combination | 2 | 套/SETS | B |
| 5 | 140710013-0002 | Plate, push rod guide | 1 | 件/PIECES | B |
| 6 | 140380020-0001 | Retainer, valve spring | 2 | 件/PIECES | B |
| 7 | 140340039-0001 | Inner spring of valve | 2 | 件/PIECES | B |
| 8 | 270960061-0001 | Spark plug | 1 | 件/PIECES | A |
| 9 | 110810361-0001 | Crankcase body | 1 | 件/PIECES | B |
| 10 | 380180124-0001 | Stud | 2 | 件/PIECES | C |
| 11 | 380650335-0001 | Oil seal | 1 | 件/PIECES | A |
| 12 | 110860005-0001 | Breath fin | 1 | 件/PIECES | A |
| 13 | 110850019-0001 | PACKING, BREATHER CHAMBER | 1 | 件/PIECES | A |
| 14 | 110840027-0001 | CAP,BREATHER CHAMBER | 1 | 件/PIECES | C |



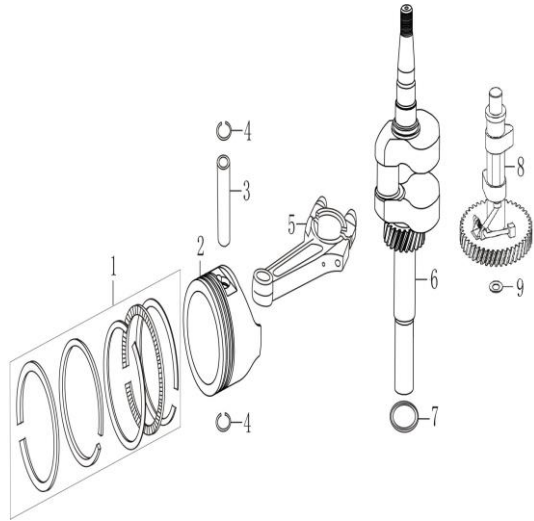
曲轴箱 (CRANK CASE)

| 序号 | 零部件件号 | Description | 数量 | 单位 | 易损属性 |
|-----|----------------|--------------------------|-----------|----------|------------------|
| No. | Part No. | | Reqd. QTY | UNIT | CONSUMABLE GRADE |
| 15 | 380140167-0002 | Hexagon bolt with flange | 2 | 件/PIECES | C |
| 16 | 500550034-0001 | Valve Kit | 1 | 套/SETS | B |
| 17 | 140670029-0001 | Push rod | 2 | 件/PIECES | B |
| 18 | 140690002-0001 | Lifter, Valve | 2 | 件/PIECES | B |
| 19 | 380140077-0005 | Hexagon bolt with flange | 1 | 件/PIECES | C |
| 20 | 380140209-0001 | Hexagon bolt with flange | 1 | 件/PIECES | C |
| 21 | 293030027-0001 | Engine brake | 1 | 件/PIECES | B |
| 22 | 381140532-0001 | Tension spring | 1 | 件/PIECES | A |
| 23 | 140400016-0001 | Valve oil seal | 2 | 件/PIECES | B |
| | | | | | |
| | | | | | |
| | | | | | |
| | | | | | |



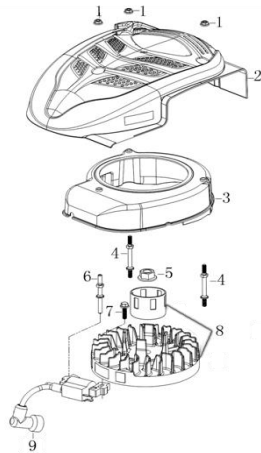
曲轴箱盖 (CRANK CASE COVER)

| 序号 | 零部件件号 | Description | 数量 | 单位 | 易损属性 |
|-----|----------------|---------------------------------------|-----------|----------|------------------|
| No. | Part No. | | Reqd. QTY | UNIT | CONSUMABLE GRADE |
| 1 | 380140103-0004 | Hexagon bolt with flange | 10 | 件/PIECES | C |
| 2 | 380650347-0001 | Oil seal | 1 | 件/PIECES | A |
| 3 | 110820117-0001 | Crankcase cover | 1 | 件/PIECES | C |
| 4 | 110690084-0001 | Oil rule combination | 1 | 件/PIECES | B |
| 5 | 380600241-0001 | ocation pin | 2 | 件/PIECES | C |
| 6 | 171750024-0001 | Components of governor gear | 1 | 套/SETS | B |
| 7 | 380140167-0002 | Hexagon bolt with flange | 2 | 件/PIECES | C |
| 8 | 171630010-0001 | Speed regulating arm | 1 | 件/PIECES | B |
| 9 | 380450527-0001 | Flat washer | 1 | 件/PIECES | C |
| 10 | 380650338-0001 | Oil seal | 1 | 件/PIECES | B |
| 11 | 381350004-0001 | Pin clip | 1 | 件/PIECES | A |
| 12 | 380250002-0001 | Square head set screw with flat point | 1 | 件/PIECES | C |
| 13 | 171620033-0003 | Speed regulating bracket | 1 | 件/PIECES | C |
| 14 | 380370048-0001 | Hexagon nut with flange | 1 | 件/PIECES | C |
| 15 | 171600064-0001 | Governing spring | 1 | 件/PIECES | A |
| 16 | 171680099-0001 | Throttle handle combination | 1 | 件/PIECES | B |



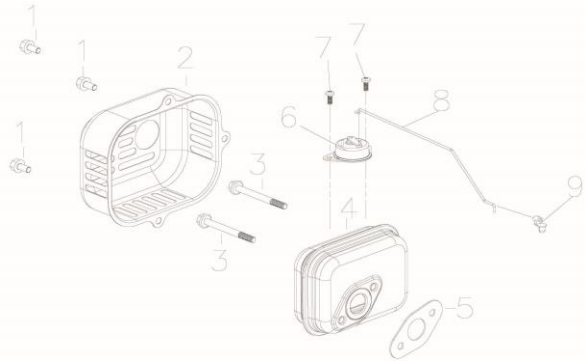
曲轴/活塞 (CRANKSHAFT/PISTON)

| 序号 | 零部件件号 | Description | 数量 | 单位 | 易损属性 |
|-----|----------------|-------------------------|-----------|----------|------------------|
| No. | Part No. | | Reqd. QTY | UNIT | CONSUMABLE GRADE |
| 1 | 130070257-0001 | Piston ring combination | 1 | 套/SETS | A |
| 2 | 130030301-0001 | Piston | 1 | 件/PIECES | A |
| 3 | 130060030-0001 | Piston pin | 1 | 件/PIECES | B |
| 4 | 380560055-0001 | Steel cable baffle ring | 2 | 件/PIECES | B |
| 5 | 130150155-0001 | Connecting rod | 1 | 件/PIECES | B |
| 6 | 130290661-0001 | crankshaft | 1 | 件/PIECES | B |
| 7 | 380450518-0001 | Flat washer | 1 | 件/PIECES | C |
| 8 | 140020117-0001 | Camshaft assy | 1 | 件/PIECES | B |
| 9 | 380450534-0001 | Flat washer | 1 | 件/PIECES | C |
| | | | | | |
| | | | | | |
| | | | | | |
| | | | | | |



起动机 (STARTER)

| 序号 | 零部件件号 | Description | 数量 | 单位 | 易损属性 |
|-----|----------------|--------------------------|-----------|----------|------------------|
| No. | Part No. | | Reqd. QTY | UNIT | CONSUMABLE GRADE |
| 1 | 380370066-0001 | Hexagon nut with flange | 3 | 件/PIECES | C |
| 2 | 193490498-0001 | Manual starting assembly | 1 | 套/SETS | B |
| 3 | 160210109-0003 | Fan cover comp. | 1 | 件/PIECES | B |
| 4 | 380850010-0001 | Stay stud | 2 | 件/PIECES | C |
| 5 | 380370051-0001 | Hexagon nut with flange | 1 | 件/PIECES | C |
| 6 | 380850016-0001 | Stay stud | 1 | 件/PIECES | C |
| 7 | 380140086-0002 | Hexagon bolt with flange | 1 | 件/PIECES | C |
| 8 | 270020232-0001 | FLYWHEEL COMP | 1 | 件/PIECES | B |
| 9 | 270920458-0001 | COIL ASSY.,IGNNTION | 1 | 套/SETS | A |
| | | | | | |
| | | | | | |
| | | | | | |
| | | | | | |
| | | | | | |



消声器 (MUFFLER)

| 序号 | 零部件件号 | Description | 数量 | 单位 | 易损属性 |
|-----|----------------|-----------------------------------|-----------|----------|------------------|
| No. | Part No. | | Reqd. QTY | UNIT | CONSUMABLE GRADE |
| 1 | 380140209-0001 | Hexagon bolt with flange | 4 | 件/PIECES | C |
| 2 | 180960128-0001 | Muffler guard shield | 1 | 件/PIECES | C |
| 3 | 380140173-0002 | Hexagon bolt with flange | 2 | 件/PIECES | C |
| 4 | 180572097-0001 | Muffler | 1 | 件/PIECES | B |
| 5 | 180660077-0001 | Muffler gasket | 1 | 件/PIECES | A |
| 6 | 171470012-0001 | Control components of choke valve | 1 | 件/PIECES | B |
| 7 | 380140167-0002 | Hexagon bolt with flange | 2 | 件/PIECES | C |
| 8 | 171650040-0001 | Choke valve pull rod | 1 | 件/PIECES | B |
| 9 | 173090001-0001 | Locker of choke valve pull rob | 1 | 件/PIECES | A |
| | | | | | |
| | | | | | |
| | | | | | |
| | | | | | |
| | | | | | |

