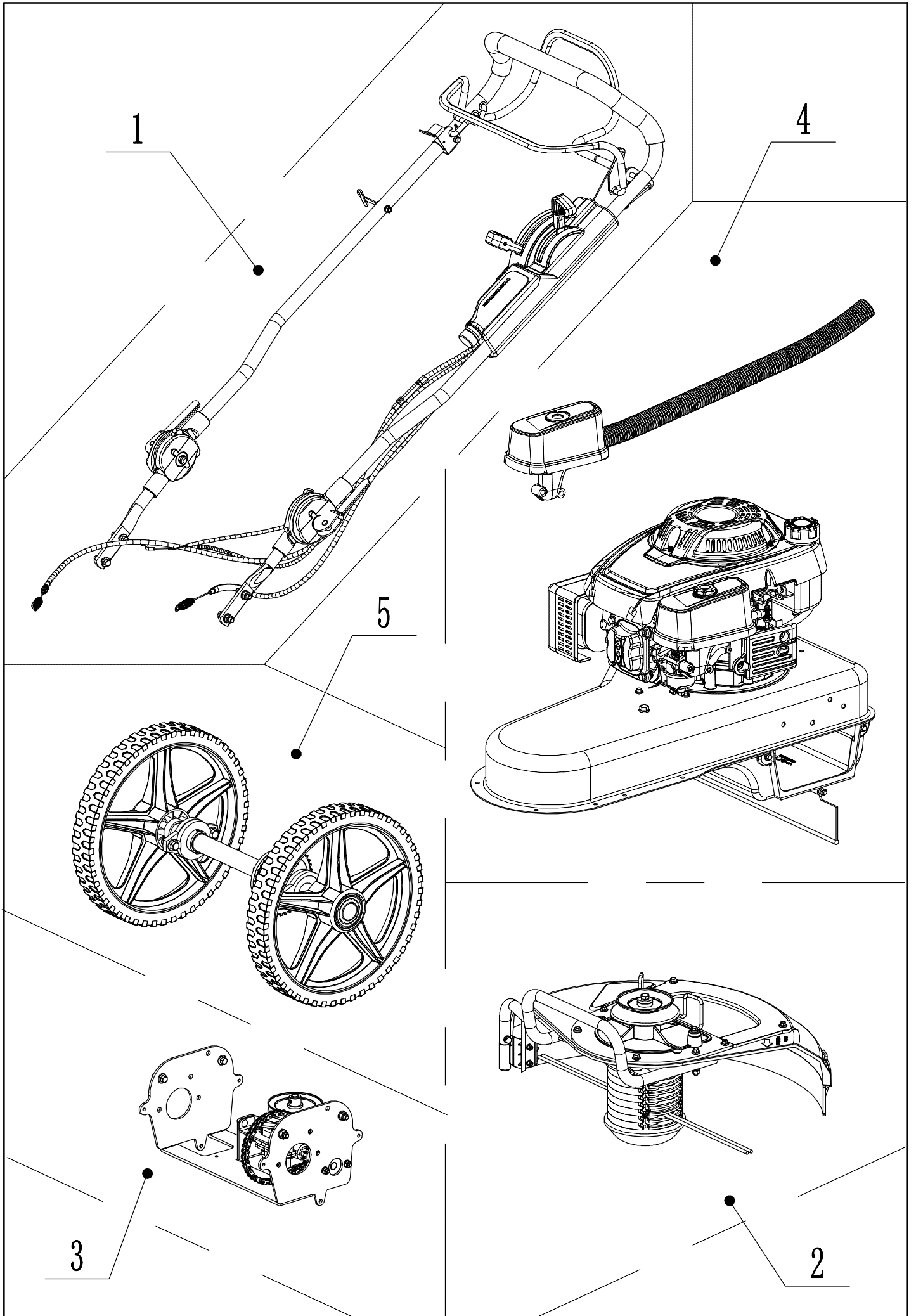


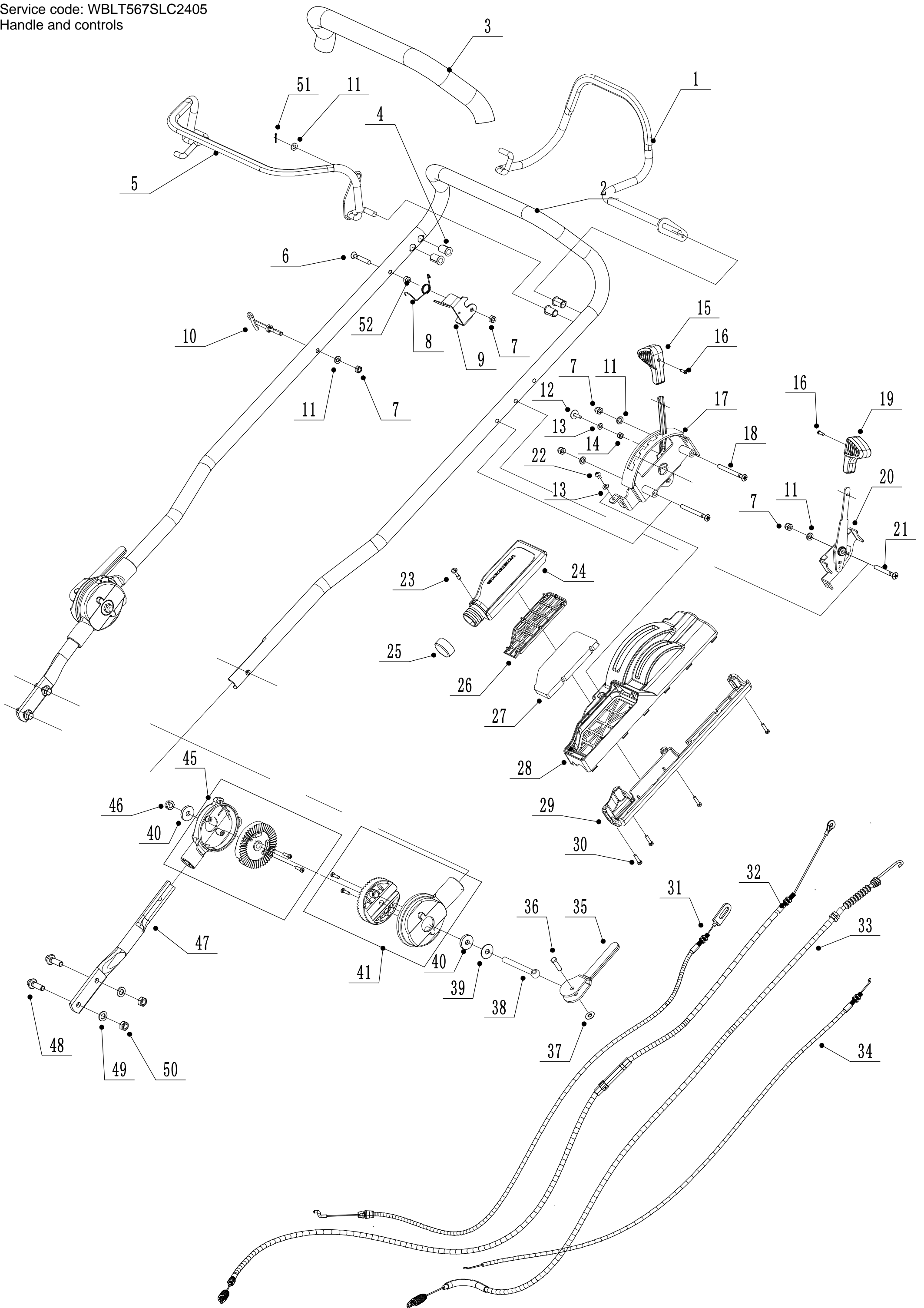
WBLT567SLC Spare parts list Service code: WBLT567SLC2405

Note vulnerable properties: Refers to the degree of wear and tear in the day-to-day operation of the correct use of this part which according to guide customers reasonable reserves. A for wear and tear very easily, B for wear and tear is easy while C for wear and tear is not easy, and we suggest having basic inventory. We suggest that you still need to have basic inventory of C

subassembly code	Name_English	machine breakdown	parts list
1	Handle and controls		
2	Mowing part		
3	Rear axle		
4	Chassis		
5	Axle		

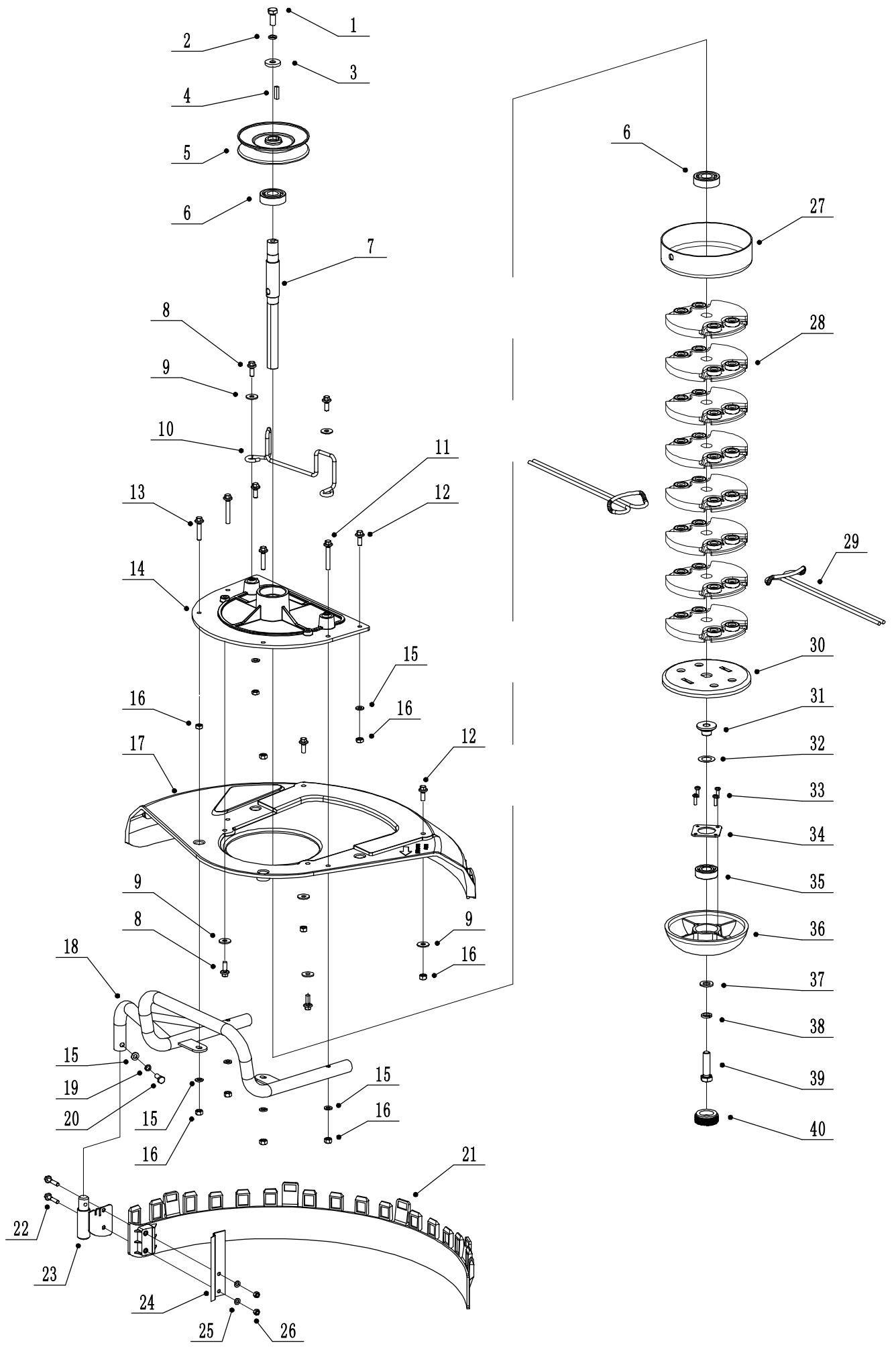


Model: WBLT567SLC
Service code: WBLT567SLC2405
Handle and controls



1	Part1 Handle and controls Spare parts list		
ID No	Part number	Name_English	Quantity
1	1371000340	Clutch handle	1
2	1371000744	Upper handle	1
3	GM56E010000081	Handle sheath	1
4	76G506000	Handle wear sleeve	4
5	1371000040	Blade disc handle	1
6	0108006035	Screw - M6*35	1
7	0202006000	Lock nut - M6	5
8	1371001002	Spring for Location-limited Plate	1
9	1371001149	Location-limited Plate	1
10	4510511010/01	Cable hook	1
11	0301006000	Flat washer - φ6	5
12	5360506011	Bolt	1
13	0301005000	Flat washer - φ5	2
14	0202005000	Lock nut - M5	1
15	5380508010	Speed regulating grip	1
16	0106003013	Screw - ST2.9*13	2
17	13710012	Speed regulating bracket	1
18	0108006060	Screw - M6*60	2
19	5380510010	Throttle grip	1
20	5380512010	Throttle bracket	1
21	0108006045	Screw - M6*45	1
22	0104005012	Screw - M5*12	1
23	0106005018B	Screw - M5*18	1
24	KL01-LC1P70	Air Filter Base	1
25	13710015	Cover	1
26	KL02-LC1P70	Air filter screen	1
27	KL04-LC1P70	Air Filter Sponge	1
28	KL05-LC1P70	Cable Upper Cover	1
29	5020501040S	Speed regulating Box Lower Cover	1
30	0113040018	Screw - PT4*18	4
31	13710016	Speed regulating cable	1
32	13710002	Blade disc cable	1
33	13710024	Clutch cable	1
34	13710021	Throttle cable	1
35	GM56A100400000	Quick release handle	2
36	0801008025	Pin - 8x25	2
37	4510114030	Fix Cap	2
38	GM56A100000030/02	Connecting Bolt	2
39	GM56A100000040/04	Spacer	2
40	GM56A100000050/02	Spacer	4
41	GM48S030200000	Outside Tooth Disc Kit	2
45	13710023	Inner Tooth Disc Kit	2
46	0203008000	Lock nut - M8	2
47	1371001922	Lower handle	2
48	0102008025	Bolt - M8*25	4
49	0301008000	Flat washer - φ8	4
50	0202008000	Lock nut - M8	4
51	05011P6010	Pin - 1.6*10	1
52	0201006000	Nut - M6	1

Model: WBLT567SLC
Service code: WBLT567SLC2405
Mowing part

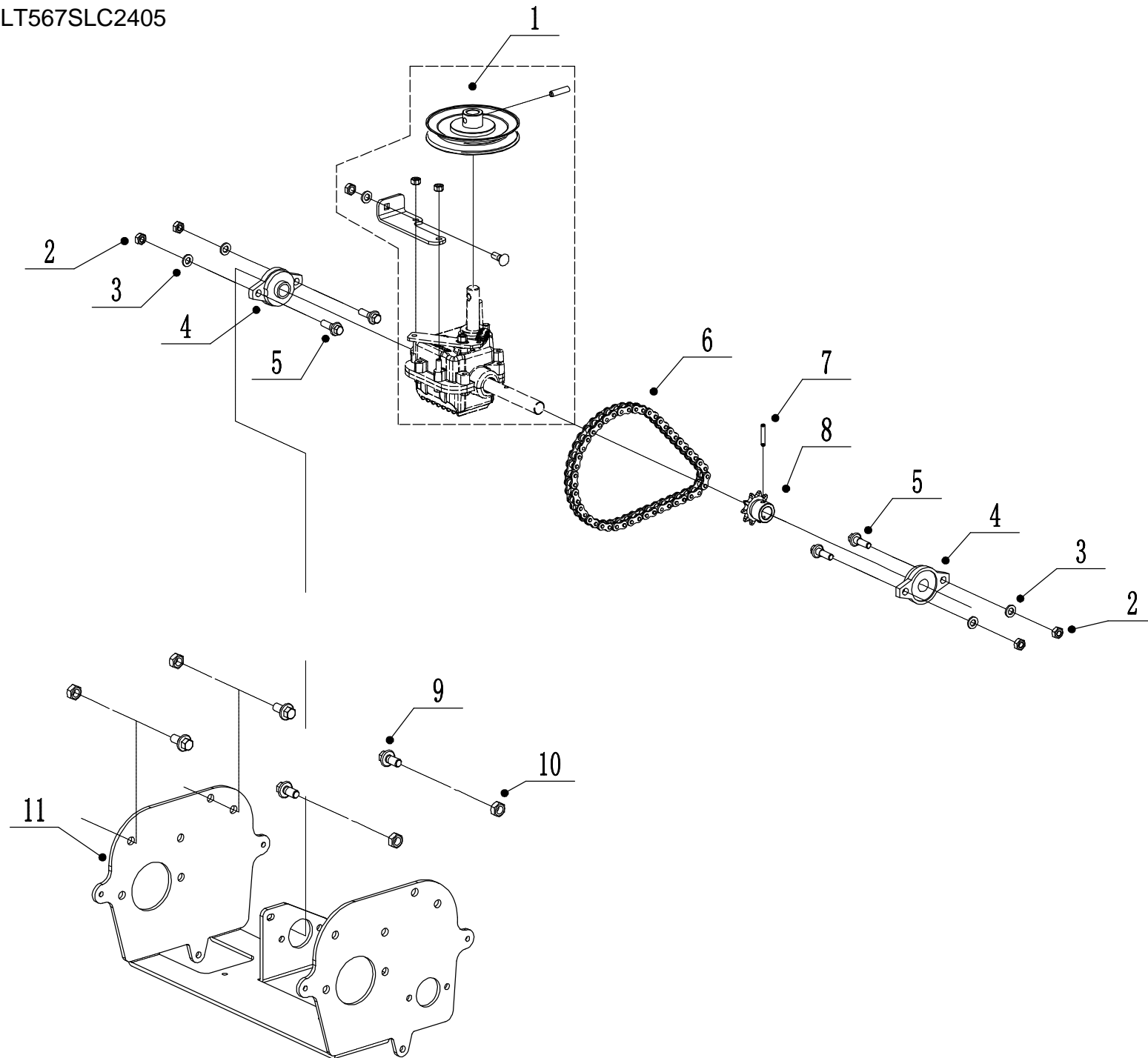


2	Part2 Mowing part Spare parts list		
ID No	Part number	Name_English	Quantity
1	0101008020	Bolt - M8*20	1
2	0401008000	Spring washer - φ8	1
3	0302008000	Big washer - φ8	1
4	1101005020	Key - 5*5*20	1
5	1372003402	Pulley	1
6	6203-2RS	Bearing	2
7	1372000602	Shaft	1
8	4820104011	Screw - M6*16	4
9	0302006000	Big washer - φ6	6
10	1372000702	Belt frame	1
11	0102006040	Bolt - M6*40	2
12	0102006016	Bolt - M6*16	4
13	0102006030	Bolt - M6*30	2
14	13720040	Bearing base	1
15	0301006000	Flat washer - φ6	7
16	0202006000	Lock nut - M6	10
17	13720009	guard	1
18	1372001040	Bumper	1
19	0401006000	Spring washer - φ6	1
20	0101006016	Bolt - M6*16	1
21	13720015	Protective plate	1
22	102005025	Bolt - M5*25	2
23	1372001749	Connecting rod	1
24	1372002004	Twine knife	1
25	0301005000	Flat washer - φ5	2
26	0202005000	Lock nut - M5	2
27	1372002122	Upper protective bowl	1
28	13720024	splint	8
29	13720026	TRIMMER LINE	2
30	1372002722	Protecting cover	1
31	1372000002	Spacer sleeve	1
32	13720028	Dust ring	1
33	0113040014	Screw - PT4*14	4
34	1372002902	splint	1
35	6202-2RS	Bearing	1
36	13720030	Lower protective bowl	1
37	0301010000	Flat washer - φ10	1
38	0401010000	Spring washer - φ10	1
39	0101010040	Bolt - M10*40	1
40	13720031	Plug screw	1

Model: WBLT567SLC

Service code: WBLT567SLC2405

Rear axle

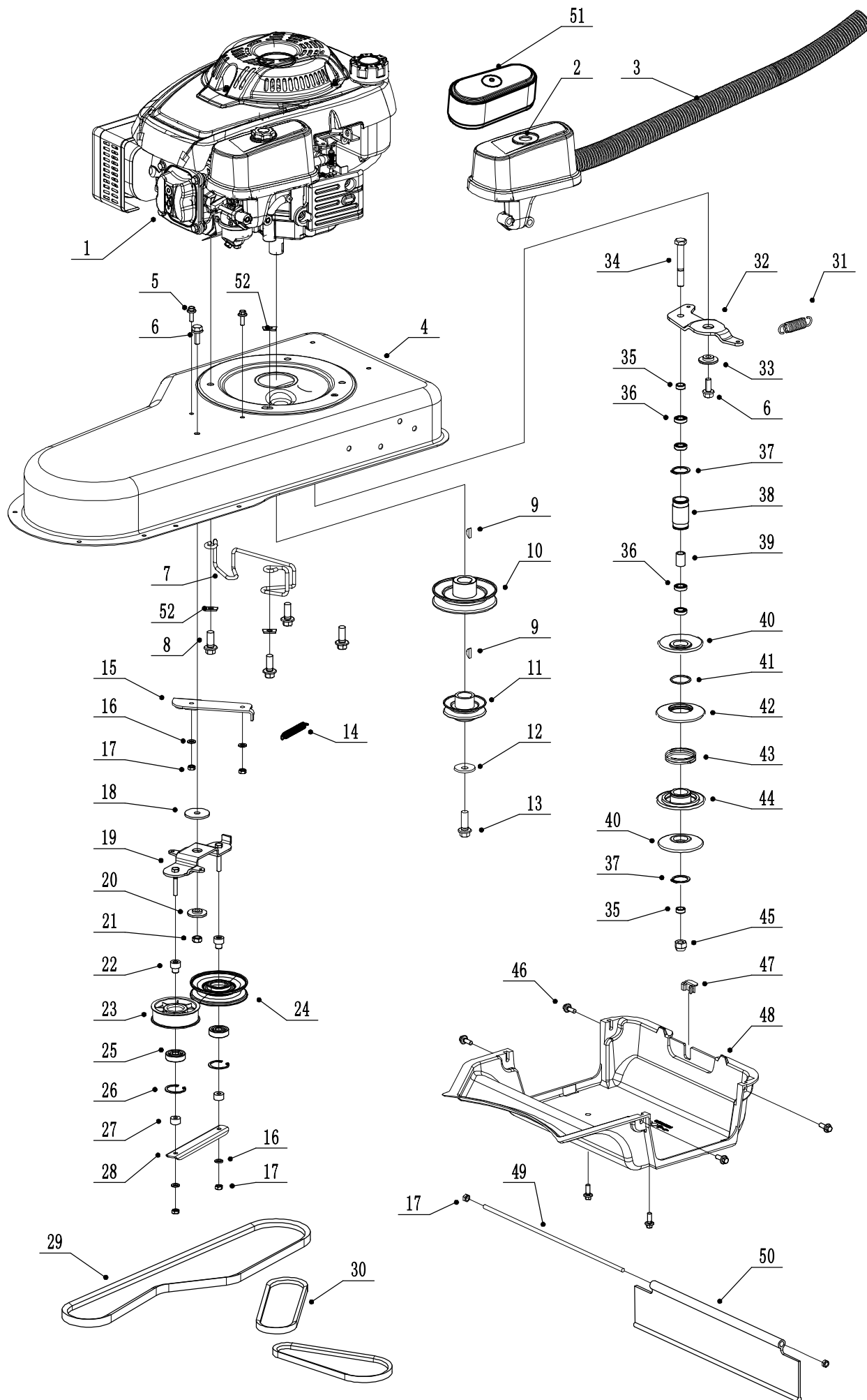


3 Part3 Rear axle Spare parts price list			
ID No	Part number	Name_English	Quantity
1	YLT56A001A1	Transmission	1
2	0202006000	Lock nut - M6	4
3	0301006000	Flat washer - φ6	4
4	KFL001	Bearing	2
5	1373000502	Step bolt - M6*20	4
6	06B0146B1	Chain	1
7	0701004020	Pin - 4*20	1
8	1373000602	Sprocket A	1
9	0102008020	Bolt - M8*20	4
10	0202008000	Lock nut - M8	4
11	1373000022	Wheel bridge	1

Model: WBLT567SLC

Service code: WBLT567SLC2405

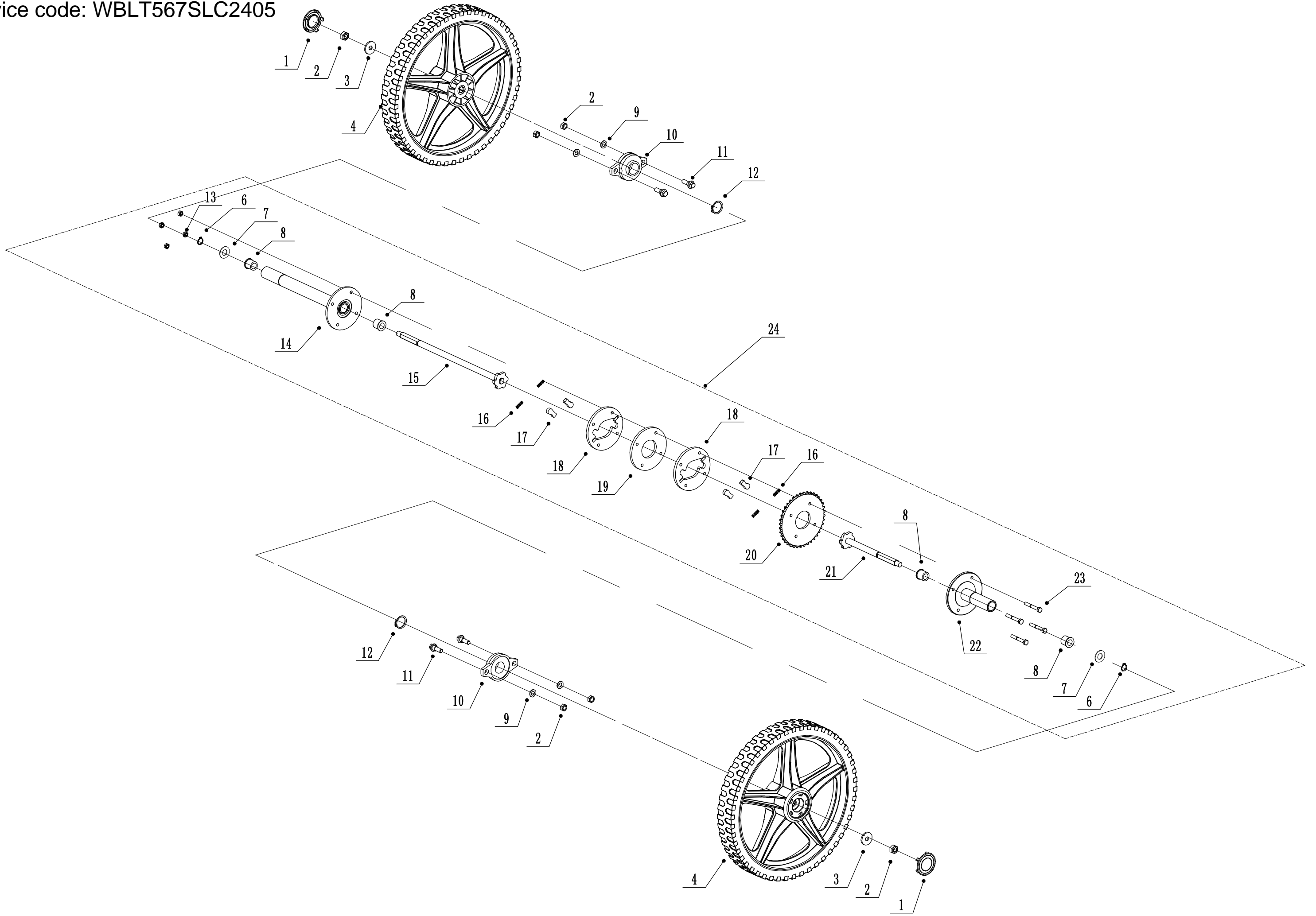
Chassis



4	Part4 Chassis Spare parts price list		
ID No	Part number	Name_English	Quantity
1	LC1P70FC/L1030	Engine	1
2	180020920-0001	Air fitter	1
3	KL03-LC1P70	Air filter tube	1
4	1374000044	Chassis	1
5	0102006016	Bolt - M6*16	2
6	0102008020	Bolt - M8*20	2
7	1374000102	Frame	1
8	5320115010	Screw	4
9	4510401010	Key	2
10	1374003002	Engine big pulley	1
11	1374001202	Engine small pulley	1
12	5310414010/04	Spring	1
13	5310415020	Central - 3/8-24*30	1
14	1374001402	Tensioner spring	1
15	1374001502	Cable bracket	1
16	0301006000	Flat washer - φ6	4
17	0202006000	Lock nut - M6	6
18	1374001602	Flat washer	1
19	1374001702	Tensioner fixing plate	1
20	1374001902	Tensioner fixing sleeve	1
21	0202008000	Lock nut - M8	1
22	1374002002	Tensioner axle sleeve	2
23	13740021	Tensioner pulley	1
24	SW8012/04	Tensioner pulley	1
25	6200-2RS	Bearing	2
26	0901030000	Circlip - 30	2
27	1374002202	Tensioner spacer sleeve	2
28	1374002302	Tensioner plate	1

4	Part4 Chassis Spare parts price list		
ID No	Part number	Name_English	Quantity
29	13740024	Belt	1
30	3L190K	Belt	2
31	4820114010	Tensioner spring	1
32	1374002502	Pulley mounting plate	1
33	GM56A020000080/02	T-shaped sleeve	1
34	GM56A020000090	Tensioner bolt	1
35	GM56A020000030/02	Spacer sleeve 1	2
36	61800-2RS	Bearing	4
37	1001024000	Circlip - 24	2
38	GM56A020000040/02	Pulley connecting sleeve	1
39	GM56A020000060/02	Spacer sleeve 2	1
40	GM56A020000010	Upper upper pulley piece	2
41	GM56A020100030	Check ring	1
42	13740002	Middle pulley piece	1
43	GM56A020100020	Spring	1
44	13740003	Middle lower pulley piece	1
45	0202010000	Lock nut - M10	1
46	4820104011	Screw - M6*15	6
47	13740026	Baffle	1
48	13740027	Lower shield	1
49	1374002802	Hanging rod	1
50	13740029	Hanging skin	1
51	180130289-0001 +180130290-0001	Air filter element	1
52	5310112020/02	Washer	3

Model: WBLT567SLC
Service code: WBLT567SLC2405
Axle



5		Part5 Axle Spare parts list	
ID No	Part number	Name_English	Quantity
1	13750000	Wheel cap	2
2	0202008000	Lock nut - M8	6
3	0303008000/02	Big flat washer	2
4	13750001	Wheel	2
6	1001017000	Circlip - 17	2
7	0301016000	Flat washer - ϕ 16	2
8	13750003	Plastic bearing	4
9	0301008000	Flat washer - ϕ 8	4
10	KFL006	Bearing	2
11	76EA12000A1/02	Step bolt - M8*25	4
12	1001030000	Circlip - 30	2
13	0202006000	Lock nut - M6	4
14	1375000402	Sleeve B	1
15	1375000802	Shaft B	1
16	13750016	Pawl spring	4
17	1375001704	Pawl	4
18	1375001802	Pawl positioning plate	2
19	1375001902	Pawl clamp plate	1
20	1375002002	Sprocket B	1
21	1375001102	Shaft A	1
22	1375001302	Sleeve A	1
23	0101006045	Bolt - M6*45	4
24	13750021	Axle assembly	1