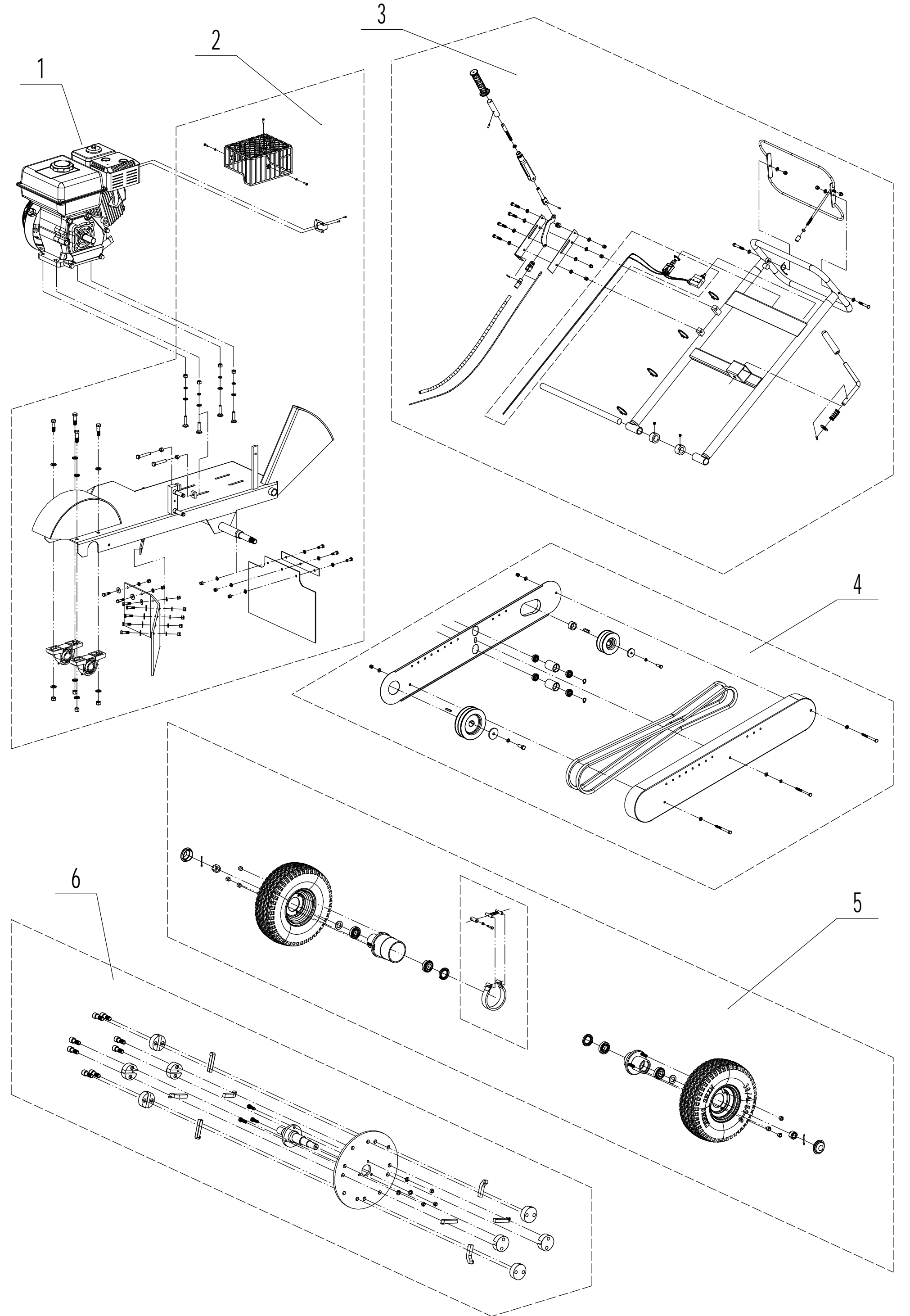
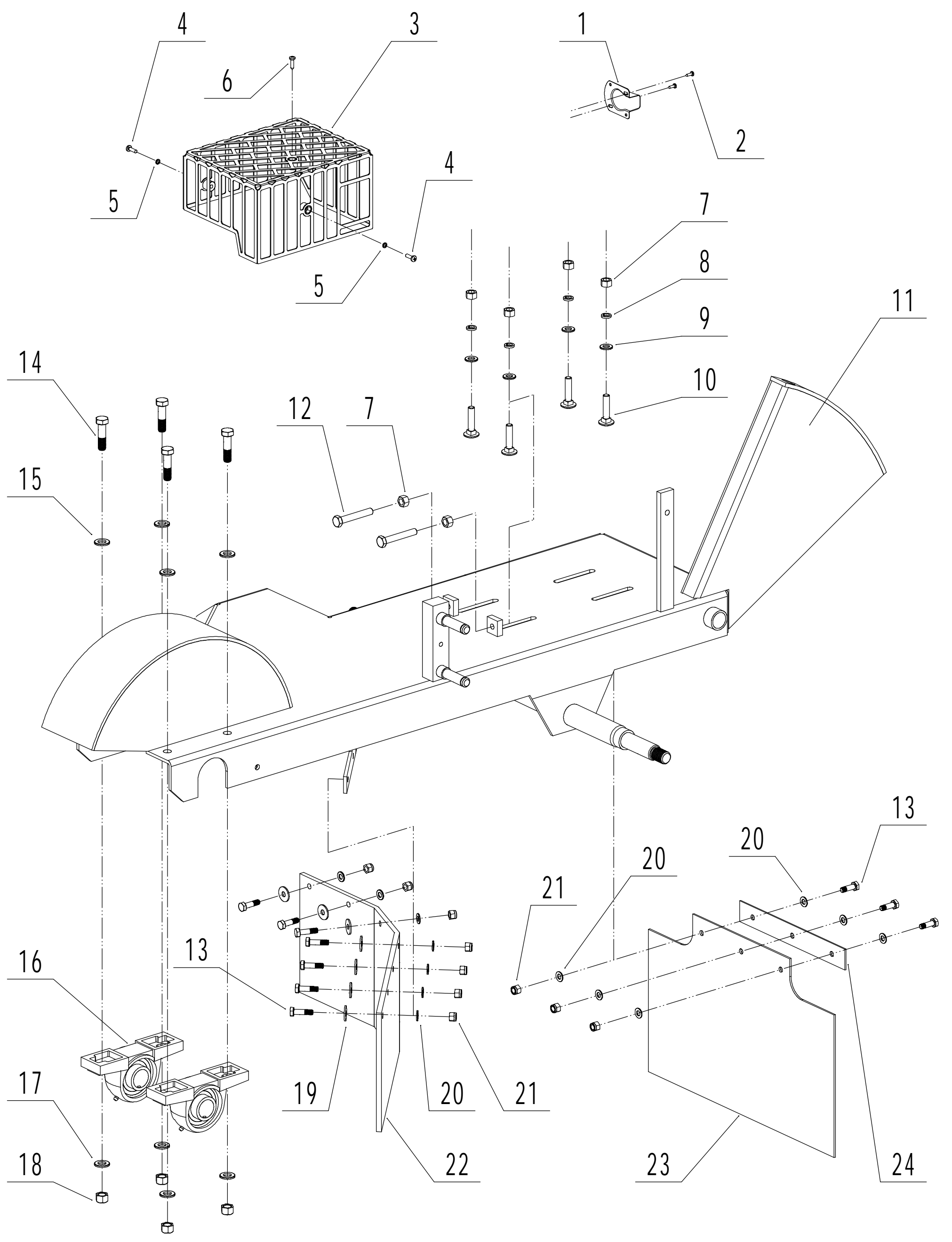


| WBSG13H Spare parts list Serive code:WBSG13H2411 | | | |
|---|-----------------------|-------------------|------------|
| subassembly code | Name_English | machine breakdown | parts list |
| 1 | Engine | | |
| 2 | Main frame | | |
| 3 | Handle and controls | | |
| 4 | Drive device | | |
| 5 | Wheels and brake part | | |
| 6 | Blade assembly | | |



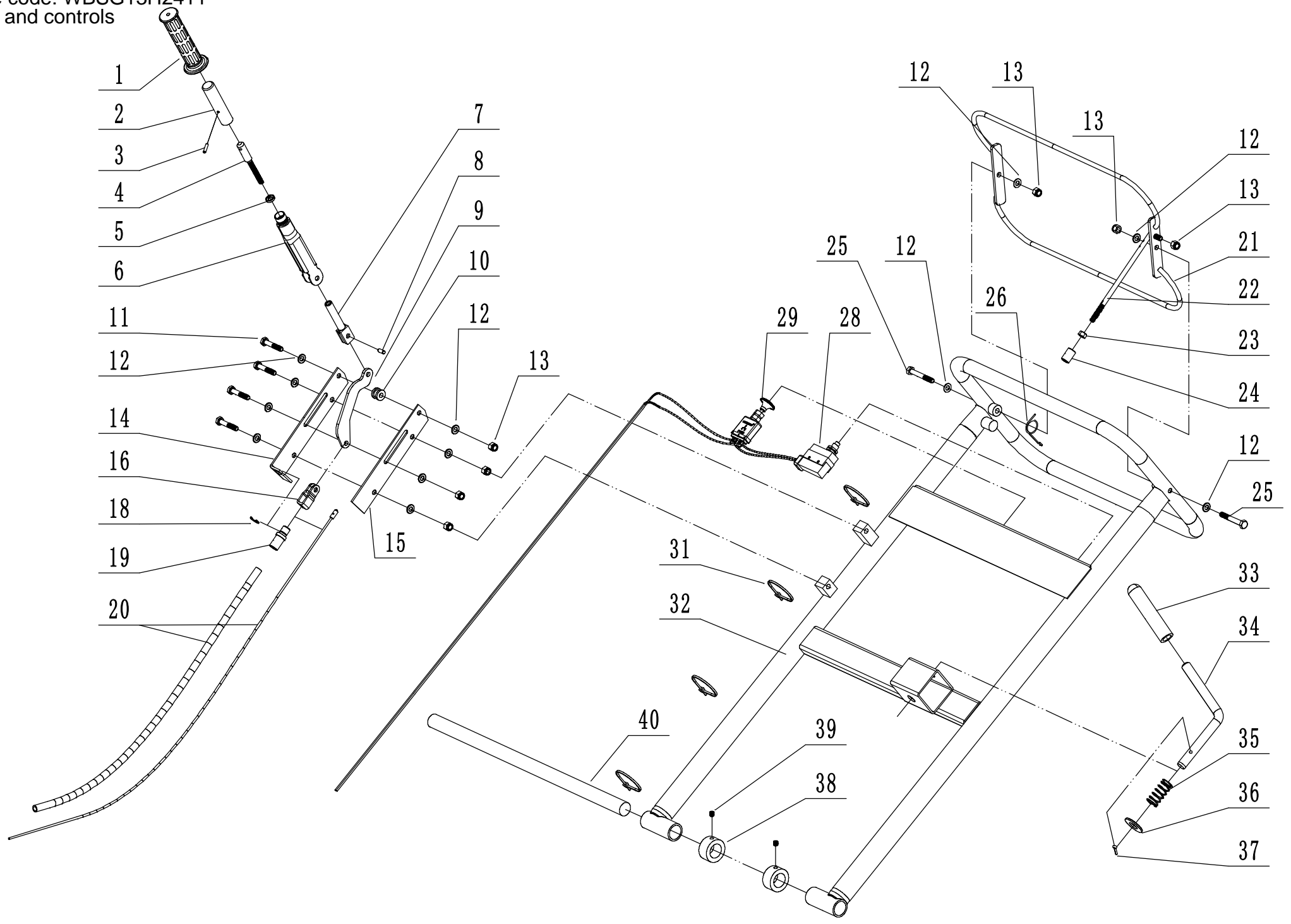
| 1 | Part 1 Engine Spare Parts List | | |
|-----|--------------------------------|--------------|----------|
| No. | Part number | Name_English | Quantity |
| 1 | GX390UT2SHQ4 | Engine | 1 |

Model: WBSG13H
Service code: WBSG13H2411
Main frame



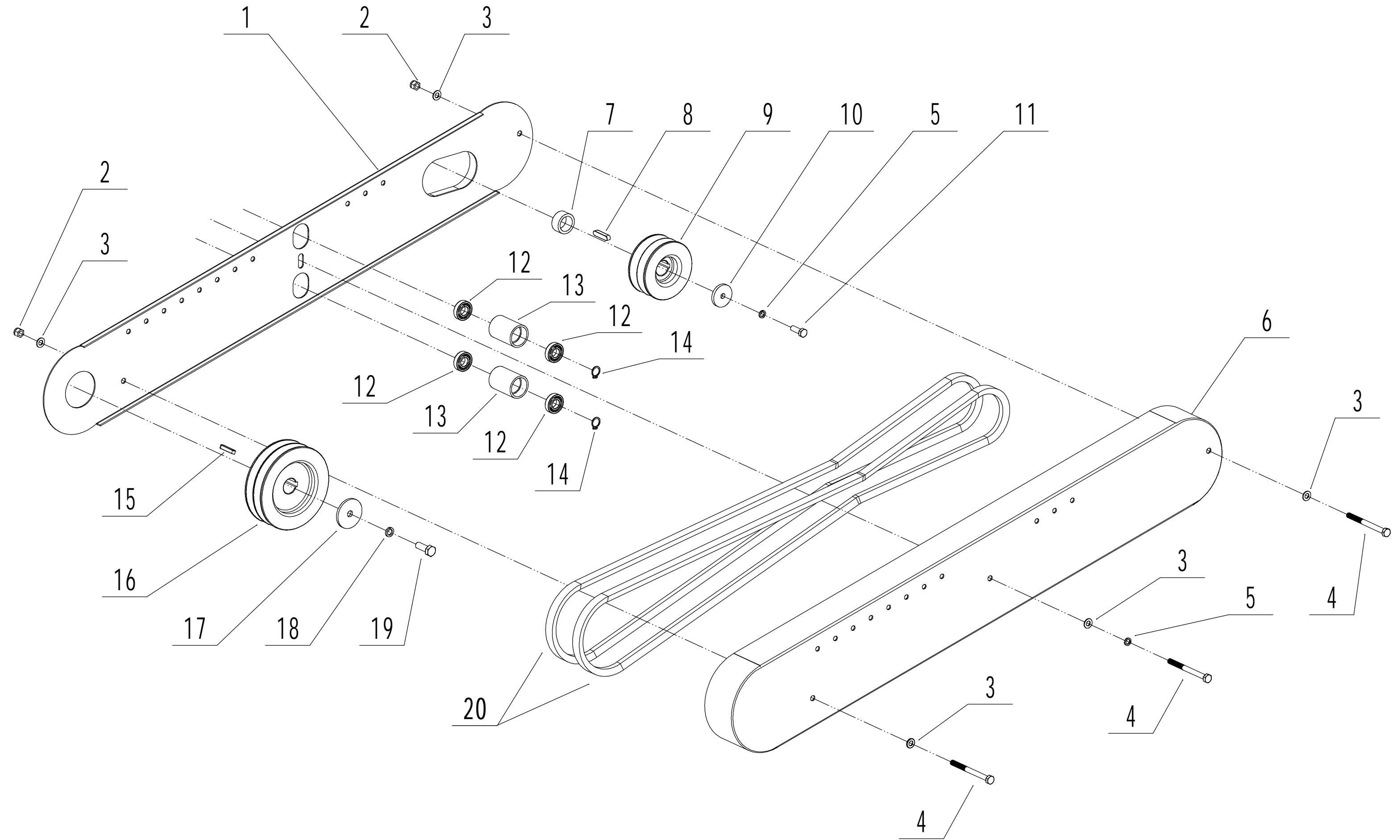
| 2 | | Part 2 Main frame Spare Parts List | |
|-----|---------------|------------------------------------|----------|
| No. | Part number | Name_English | Quantity |
| 1 | DSZ0000580/02 | Exhaust pipe | 1 |
| 2 | 0106004010 | Screw - ST4x10 | 2 |
| 3 | 8SH13A0010/22 | Safety Cover | 1 |
| 4 | 0104005012 | Screw - M5x12 | 2 |
| 5 | 0401005000 | Spring washer - 5 | 2 |
| 6 | 0106005013 | Screw - 4.8x13 | 1 |
| 7 | 0201010000 | Nut - M10 | 6 |
| 8 | 0401010000 | Spring washer - 10 | 4 |
| 9 | 0301010000 | Washer - 10 | 4 |
| 10 | 0101010050 | Bolt - M10x50 | 4 |
| 11 | DSZ0000000/44 | Deck | 1 |
| 12 | 0101010100 | Bolt - M10x100 | 2 |
| 13 | 0101008025 | Bolt - M8x25 | 10 |
| 14 | 0101012045 | Bolt - M12x45 | 4 |
| 15 | 0301012000 | Washer - 12 | 4 |
| 16 | UCP206 | Bearing | 2 |
| 17 | DSZ0000553 | Washer | 4 |
| 18 | 0202012000 | Nut - M12 | 4 |
| 19 | 0302008000 | Washer 8 | 7 |
| 20 | 0301008000 | Washer 8 | 13 |
| 21 | 0202008000 | Nut - M8 | 10 |
| 22 | DSZ0000260 | Front Deflector | 1 |
| 23 | DSZ0000250 | Rear Deflector | 1 |
| 24 | DSZ0000552/44 | Pressing plate | 1 |

Model: WBSG13H
Service code: WBSG13H2411
Handle and controls

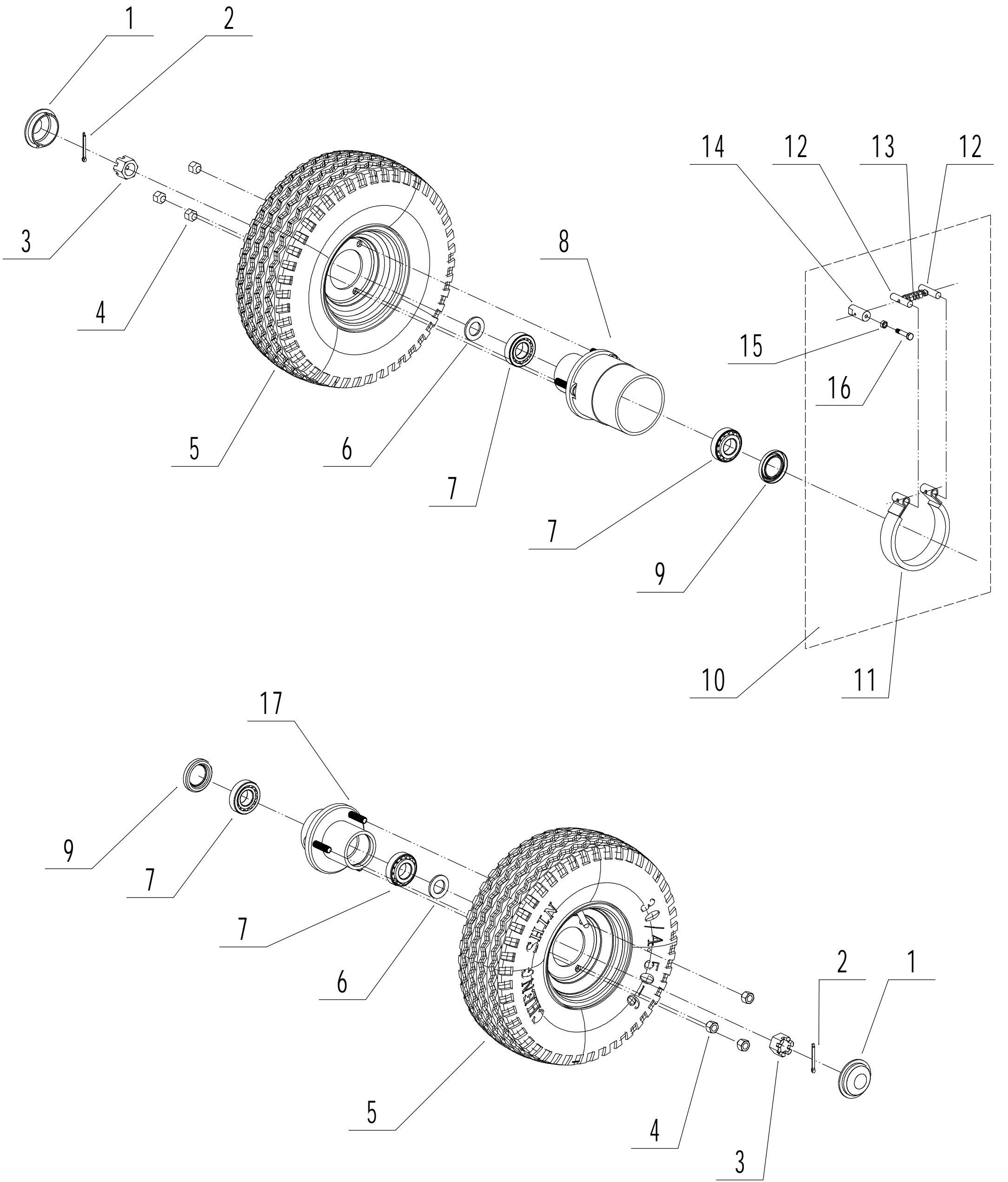


| 3 Part 3 Handle and controls Spare Parts List | | | |
|---|---------------|----------------------|----------|
| No. | Part number | Name_English | Quantity |
| 1 | DSZ0000480 | Grip | 1 |
| 2 | DSZ0000360/02 | Adjusting Lever | 1 |
| 3 | 0701004020 | Spring Pin | 1 |
| 4 | DSZ0000380/02 | Screw rod | 1 |
| 5 | DSZ0000460/02 | Limit washer | 1 |
| 6 | DSZ0000441/22 | Brake Lever | 1 |
| 7 | DSZ0000430/02 | Adjusting Lever | 1 |
| 8 | 0702008014 | Pin | 1 |
| 9 | DSZ0000391/02 | Brake connector | 1 |
| 10 | DSZ0000420/02 | Partition | 1 |
| 11 | 0101008040 | Bolt - M8x40 | 4 |
| 12 | 0301008000 | Washer - 8 | 12 |
| 13 | 0202008000 | Nut - M8 | 7 |
| 14 | DSZ0000400/22 | Splint 1 | 1 |
| 15 | DSZ0000410/22 | Splint 2 | 1 |
| 16 | DSZ0000411/02 | Cable hook | 1 |
| 18 | 1301010000 | check ring - 10 | 1 |
| 19 | DSZ0000354/02 | Joint | 1 |
| 20 | DSZ0000351 | Brake cable | 1 |
| 21 | DSZ0000490/40 | Clutch lever | 1 |
| 22 | DSZ0000530/02 | Switch Control stick | 1 |
| 23 | 0201008000 | Nut - M8 | 1 |
| 24 | DSZ0000510/02 | Screw sheath | 1 |
| 25 | 0101008060 | Bolt - M8x60 | 2 |
| 26 | DSZ0000500 | Twist spring | 1 |
| 28 | DSZ0000590 | Limit switch | 1 |
| 29 | DSZ0000600 | Stop switch | 1 |
| 31 | ZD8/200 | Cable tie | 4 |
| 32 | DSZ0000340/22 | Handle weldment | 1 |
| 33 | DSZ0000550 | Grip sheath | 1 |
| 34 | DSZ0000540/02 | Grip | 1 |
| 35 | DSZ0000370 | Spring of grip | 1 |
| 36 | 0301016000 | Washer - 16 | 1 |
| 37 | 0501005045 | Split pin - 5x45 | 1 |
| 38 | DSZ0000290/02 | Fixing | 2 |
| 39 | 0105008008 | screw - M8x8 | 2 |
| 40 | DSZ0000280/02 | Pin axis | 1 |

Model: WBSG13H
Service code: WBSG13H2411
Drive device

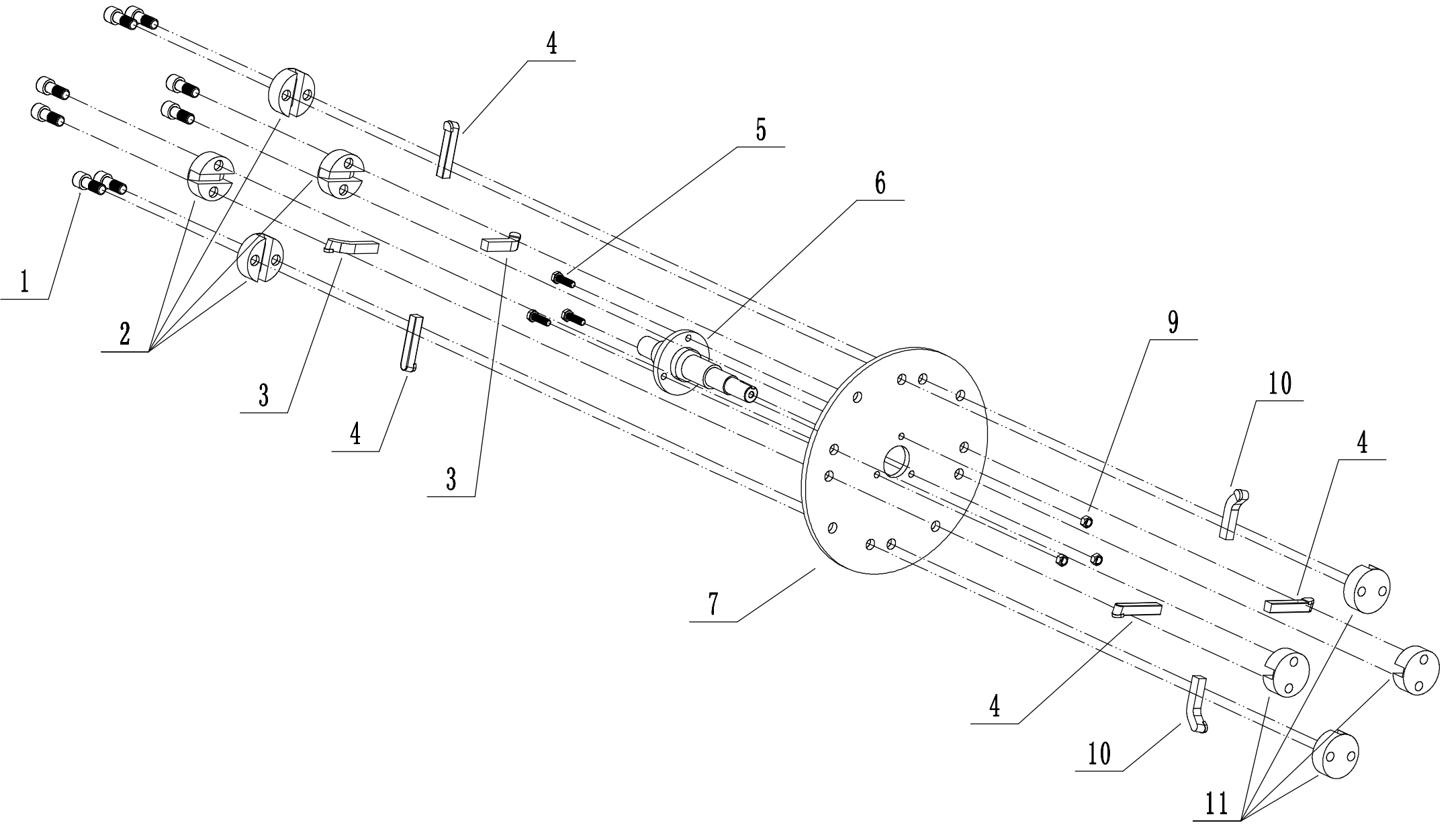


| 4 | Part 4 Drive device Spare Parts List | | |
|-----|--------------------------------------|--------------------|----------|
| No. | Part number | Name_English | Quantity |
| 1 | DSZ0000140G/44 | Inside cover | 1 |
| 2 | 0202008000 | Nut - M8 | 2 |
| 3 | 0301008000 | Washer - 8 | 5 |
| 4 | 0101008095 | Bolt - M8x95 | 3 |
| 5 | 0401008000 | Spring washer - 8 | 1 |
| 6 | DSZ0000240G/44 | Outside cover | 1 |
| 7 | DSZ0000160/02 | Partition | 1 |
| 8 | 1101008040 | Key | 1 |
| 9 | DSZ0000170G/04 | Engine pulley | 1 |
| 10 | DSZ0000150/02 | Washer | 1 |
| 11 | 0101008030 | Bolt - M8x30 | 1 |
| 12 | 6002-2RS | Bearing | 4 |
| 13 | DSZ0000230/02 | Limit roller | 2 |
| 14 | 1001015000 | Check ring - 15 | 2 |
| 15 | 1101008040 | Key | 1 |
| 16 | DSZ0000190G/04 | Blade disc pulley | 1 |
| 17 | DSZ0000560/02 | Washer | 1 |
| 18 | 0401010000 | Spring washer - 10 | 1 |
| 19 | 0101010025 | Bolt - M10x25 | 1 |
| 20 | DSZ0000570G | Belt - V15x1955 | 2 |



| 5 | | Part 5 Wheels and brake part Spare Parts List | |
|-----|---------------|---|----------|
| No. | Part number | Name_English | Quantity |
| 1 | 10FS040601 | Dust cover | 2 |
| 2 | 0501003050 | Split pin - 3x50 | 2 |
| 3 | 0212020001 | Nut - M20x1.5 | 2 |
| 4 | 13940025 | Wheel nut - M12*1.25 | 6 |
| 5 | TYLZ001 | Tire | 2 |
| 6 | 0301020000 | Washer | 2 |
| 7 | 30205 | Bearing | 4 |
| 8 | DSZ0000110/02 | Brake drum | 1 |
| 9 | 10FS041101 | Sealing ring | 2 |
| 10 | DSZ0000390 | Brake component | 1 |
| 11 | DSZ0000120 | brake bush | 1 |
| 12 | DSZ0000300/02 | Pin axis | 2 |
| 13 | DSZ0000310 | Brake cable spring | 1 |
| 14 | DSZ0000320/02 | Brake cable clip | 1 |
| 15 | 0201006000 | Nut - M6 | 1 |
| 16 | 0101006030 | Bolt - M6x30 | 1 |
| 17 | 10FS040801 | Bearing base | 1 |

Model: WBSG13H
Service code: WBSG13H2411
Blade assembly



| 6 | Part 6 Blade assembly part Spare Parts List | | |
|-----|---|-------------------------|----------|
| No. | Part number | Name_English | Quantity |
| 1 | DSZ0000042 | Screw - 5/8-18*40 | 8 |
| 2 | DSZ0000040 | Blade base 1 | 4 |
| 3 | DSZ0000080 | Blade 2 | 2 |
| 4 | DSZ0000060 | Blade 1 | 4 |
| 5 | 0101010035 | Bolt - M10x35 | 3 |
| 6 | DSZ0000100/04 | Blade disc shaft | 1 |
| 7 | DSZ0000030/04 | Blade disc | 1 |
| 9 | 0202010000 | Nylon locking nut - M10 | 3 |
| 10 | DSZ0000090 | Blade 3 | 2 |
| 11 | DSZ0000050 | Blade base 2 | 4 |