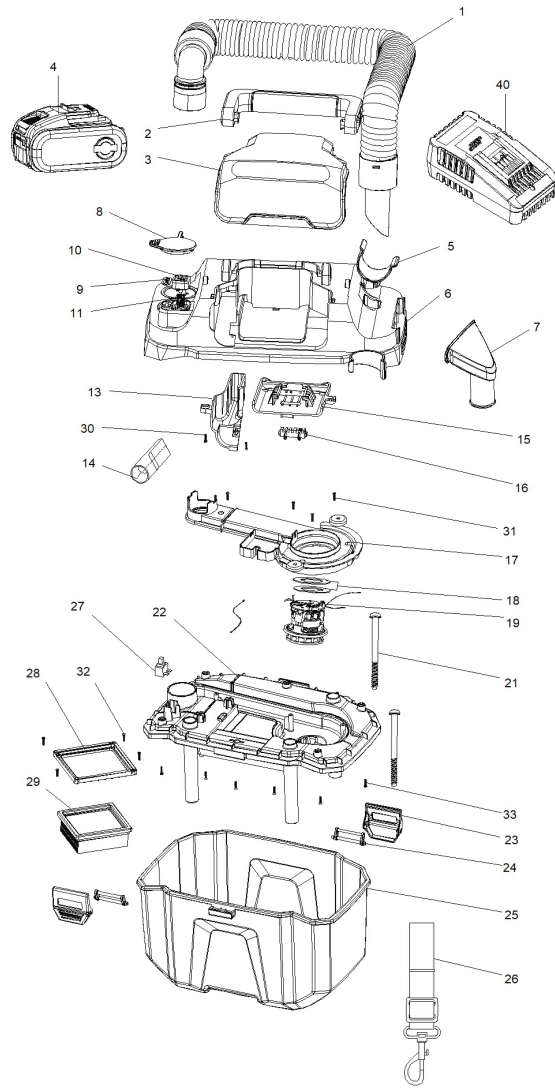



WX031



WX031

	Part No	Description	Qty
1	60066576	Hose parts	1
2	60066577	Handle	1
3	60066578	Water-proof cover	1
4	50044100	"Battery Pack(Li-ion,4Ah,20V)WA3014"	1
5	60066374	Hook	1
6	60066375	Cover	1
7	60066376	Water brush	1
8	60066377	Wind-out hole cover	1
9	60066378	Switch sticker	1
10	60066379	Switch	1
11	60066380	Switch spring	1
13	60066382	Accessory base	1
14	60066383	Flat brush	1
15	60066852	Connected pin fixer	1
16	60066853	Connected pin	1
17	60066386	Motor cover	1
18	60066387	Motor shock-proof ring	1
19	60066388	Brushless motor	1
21	60066390	Sensor detective needle	2
22	60066581	Motor base	1

WX031

	Part No	Description	Qty
23	60066392	Lock hook	2
24	60066393	Rolling block	2
25	60066394	Tank	1
26	60066582	Shoulder strip	1
27	60066396	Switch button	1
28	60066397	Filter fixing base	1
29	60066398	Filter	1
30	60066399	Screw	2
31	60066400	Screw	4
32	60066401	Screw	4
33	60066402	Screw	6
40	50036688	"Charger(100-240V,2.0Ah,20V)WA3880"	1