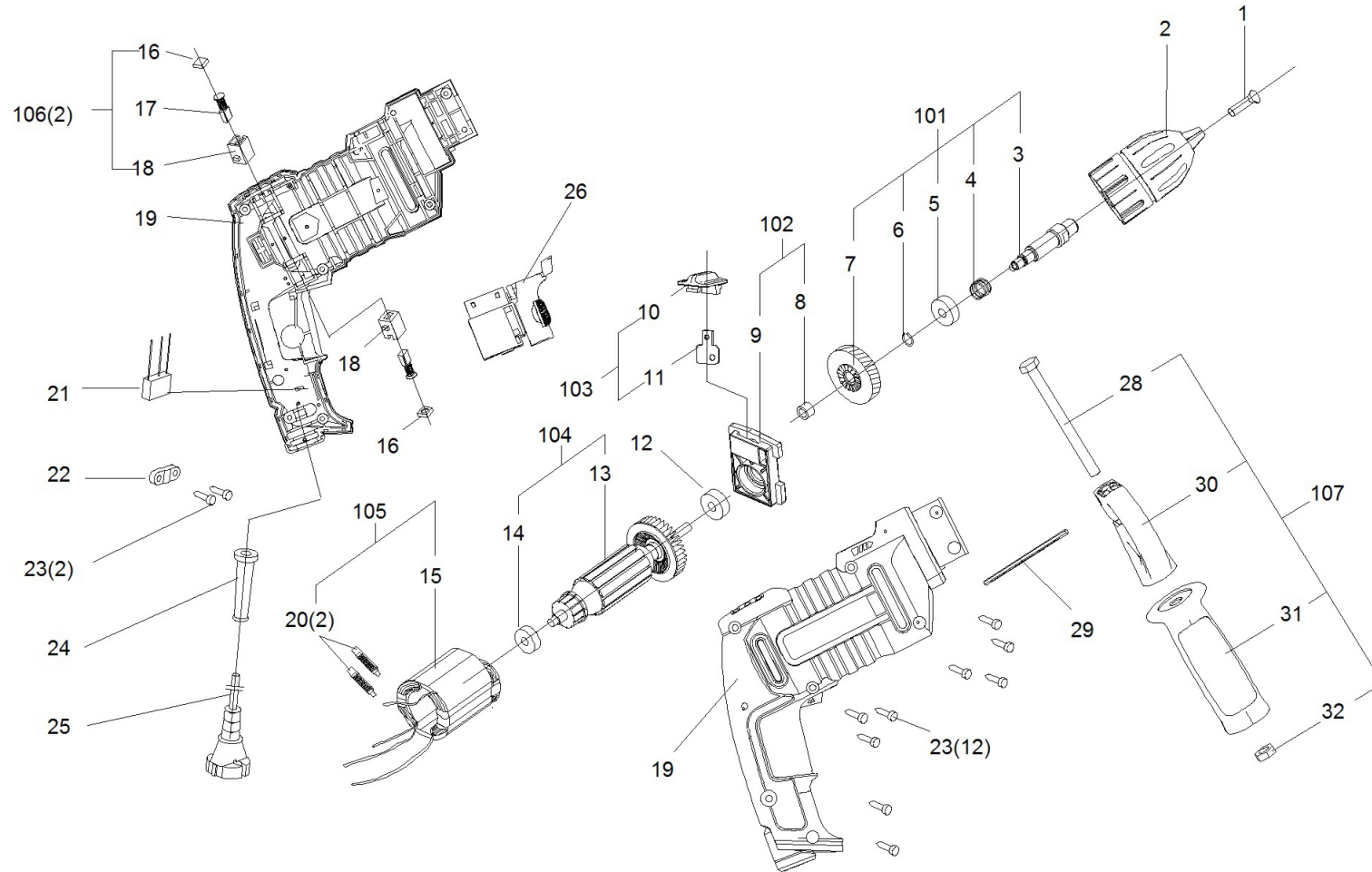




WX317



WX317

	Part No	Description	Substitute parts	Remark	Qty
1	60039974	Screw M5X35-L			1
2	60039975	Chuck			1
3	60039976	Output spindle			1
4	60039977	Spring			1
5	60039978	Bearing6001			1
6	60039979	Round wire 12			1
7	60039980	Gearwheel			1
8	60039981	Oil-retaining bearing			1
9	60039982	Spacer block			1
10	60039983	Impulse click			1
11	60039984	Dial Block			1
12	60039985	Bearing608			1
13	60039986	Rotor			1
14	60039987	Bearing626			1
15	60039988	Stator			1
16	60039989	Cap of carbon brush			1
17	60039990	Carbon brush(pair)			1
18	60039991	Brush holder			2
19	60039992	Housing			1
20	60039993	Inductor			2

WX317

	Part No	Description	Substitute parts	Remark	Qty
21	60039994	Capacitor			1
22	60039995	Cable clamp			1
23	60039996	Self tapping screw			12
24	60039997	Cable arbor			1
25	60039998	Power cord			1
25	60044066	Power cord		for CH	1
26	60040001	Switch			1
28	60040002	Screw M8X90			1
29	60040003	Scale			1
30	60040004	Bard			1
31	60040005	Side handle			1
32	60040006	Nut M8	60040005		1
101	60040007	Output shaft assembly			1
102	60040008	Spacer block set			1
103	60040009	Pendulum Pole			1
104	60040010	Rotor set			1
105	60040011	Stator set			1
106	60040012	Brush holder set			2
107	60040013	Side handle set			1
F1	50029926	Color Box for WX317		"for EU,UK,AU,IL,CH"	1

WX317

	Part No	Description	Substitute parts	Remark	Qty
F2	50031223	Rated Label		"for EU,CH"	1
F3	50031380	Manual		"for EU,CH"	1