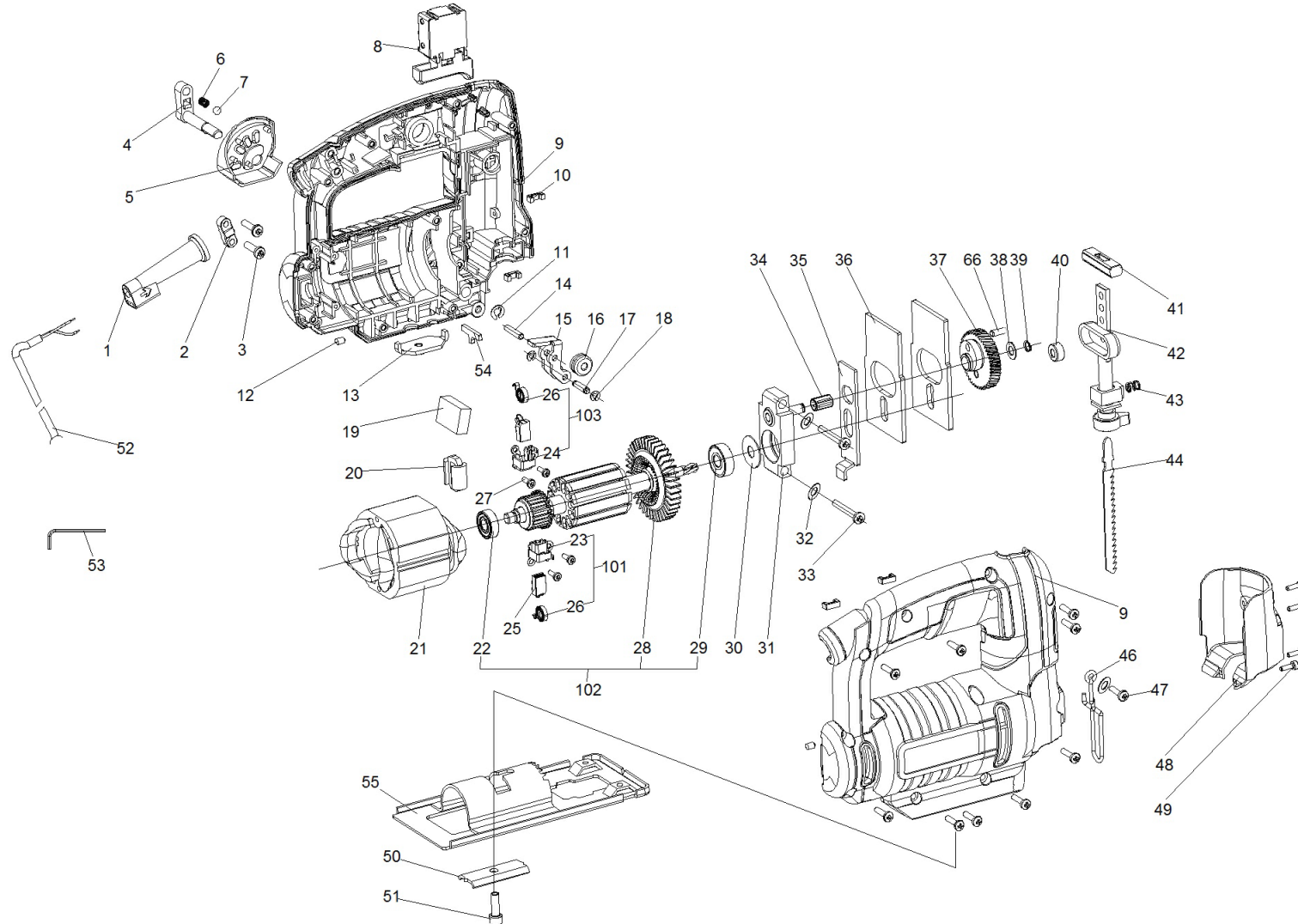




WX477




**WX477**

	Part No	Description	Substitute parts	Qty
66	60050192	Drive Spindle		1
1	60039898	Cable Protector		1
2	50000833	Cord clamp		1
2	60039899	Cord Clamp	50000833	1
3	60039900	Screw	60042358	2
3	60042358	Self Tapping Screw		2
4	60039901	Adjustment Knob		1
5	60039902	Depcorale Cover		1
6	60039903	Compression Spring		1
7	60039904	Steel Ball		1
8	60039905	Switch		1
9	60039906	Left/Right housing		1
10	60039907	Orientation Sleeve	60039906	4
11	50003112	E-ring		1
11	60039908	Retaining Ring	50003112	1
12	50000778	Rubber-pin		2
12	60039909	Rubber Pin	50000778	2
13	50014807	Nut		1
13	60039910	Nut	50014807	1
14	60039911	Pin		1


**WX477**

		Part No	Description	Substitute parts	Qty
	15	60039912	Pendulum Plate		1
	16	50010721	Roller guide		1
	16	60039913	Pulley	50010721	1
	17	50010723	Small shaft		1
	17	60039914	Pin	50010723	1
	18	50003110	E-ring		2
	18	60039915	Retaining Ring	50003110	2
	19	60039916	Capacitor		1
	20	60039917	Choke		1
	21	60039918	Stator		1
	22	50038252	Bearing 607-2RS		1
	22	60039919	Ball Bearing 607	60050657	1
	22	60051524	Bearing 607-2RS	50038252	1
	23	60039920	Brush Holder I		1
	24	60039921	Brush Holder II		1
	25	60039922	Carbon Brush(pair)	60050134	1
	25	60050134	Carbon Brush(pair)		1
	26	60039923	Spiral Spring		2
	27	60039924	Screw	60045553	4
	27	60045553	Screw ST2.9x10		4

**WX477**

	Part No	Description	Substitute parts	Qty
28	60039925	Rotor		1
29	60039926	Ball Bearing 608	60051431	1
29	60051431	Ball Bearing 608		1
30	60039927	Washer		1
31	60039928	Center Cover Set		1
32	60039929	Washer		3
33	60039930	Screw	60050669	2
33	60050669	Self Tapping Screw		2
34	60039931	Needle Bearing		1
35	60039932	Pendulum Fork		1
36	60039933	Counterweight		2
37	60039934	Gear Set		1
38	60039935	Washer		1
39	60039936	Retaining Ring	60051251	1
39	60051251	Retaining Ring		1
40	60039937	Roller		1
41	60039938	Guide Plate		1
42	60039939	Reciprocating Shaft Set		1
43	50018944	Spring		1
43	60039940	Compression Spring	50018944	1

**WX477**

	Part No	Description	Substitute parts	Qty
44	60039941	Saw		1
46	60039942	Steel Spring		1
47	50031651	Self Tapping Screw		12
47	60039943	Screw	50031651	12
48	60039944	Fore Cover		1
49	60039945	Screw		4
49	60050250	Screw	60039945	4
50	50014801	Press plate		1
50	60039946	Press Plate	50014801	1
51	60039947	Screw		1
52	60039948	Power cord		1
53	60039951	Spanner		1
54	60039952	Guide Plate		1
55	60039953	Base Plate		1
101	60039954	Brush Holder Assembly I		1
102	60039955	Rotor Set		1
103	60039956	Brush Holder Assembly II		1
105	60045330	Blade guide assemble		1