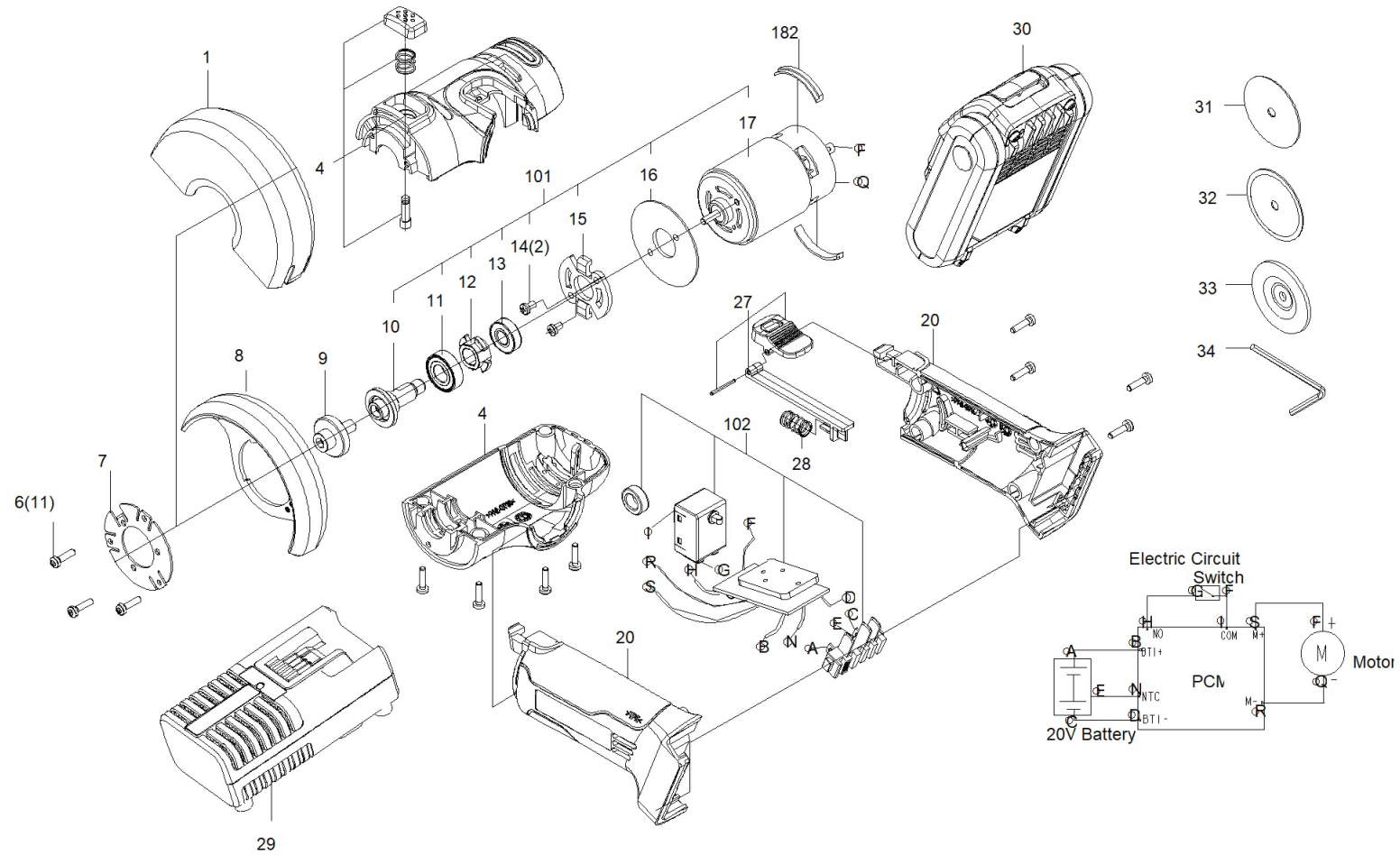


WX801



WX801

	Part No	Description	Substitute parts	Remark	Qty
1	50036460	Guard			1
4	50036470	Housing	50037354+50037447	"<20190101779557(UK), <20190100141508(EU)"	1
4	50037354	Housing Assembly		">=20190101779557(UK), >=20190100141508(EU)"	1
6	50026522	Self Tapping Screw			12
7	50036463	Guard Cover			1
8	50036459	Guard			1
9	50036467	Bolt		<20190101779845(UK)	1
9	50038818	Bolt		>=20190101779845(UK)	1
10	50036456	Spindle	50039689		1
10	50039689	Spindle			1
11	50018246	Ball Bearing			1
12	50036455	Blade Locking Block			1
13	50019619	Ball Bearing	50023234		1
13	50023234	Ball Bearing			1
14	50036465	Screw			2
15	50036457	Adatter Ring			1
16	50036462	Dustproof Cover			1
17	50036469	Dc Motor			1
18	50025646	Rubber cushion			2
20	50036464	Left/Right Handle	50037354+50037447	"<20190101779557(UK), <20190100141508(EU)"	1

WX801

☰	Part No	Description	Substitute parts	Remark	Qty
20	50037447	Left/Right Handle		"≥20190101779557(UK), ≥20190100141508(EU), (HK)"	1
27	50036453	Switch Lever			1
28	50036461	Compression Spring			1
29	50027380	"Charger (100-240V,14.4-20V,50W)WA3860"			1
30	50026321	"Battery Pack(Li-ion,2Ah,20V) WA3551.1"			1
31	50036458	Metal cutting disc		<20190101779845(UK)	1
31	50038820	Cutting Disc		≥20190101779845(UK)	2
32	50036454	Diamond cutting disc		<20190101779845(UK)	1
32	50038821	Diamond cutting disc for WA6075		≥20190101779845(UK)	1
33	50036466	Base Plate Assembly		<20190101779845(UK)	1
33	50038822	Grinding Disc for WA6074		≥20190101779845(UK)	1
34	50002339	Spanner			1
37	50036695	Felt Seal			1
101	50036492	Motor Assembly			1
102	50036468	Switch &PCB Board Assembly			1
103	50037266	Spindle Assembly		<20190101779845(UK)	1
103	50038817	Spindle Assembly		"≥20190101779845(UK),(HK)"	1